

1. Model Description

Fluid

Mineral oils [no short code]	
HF fluids	E

Axial piston Unit

Variable displacement pump, swashplate design, Industrial uses	A4VS
---	------

Operating mode

Pump ,closed circuit	G
----------------------	---

Size

△Displacement Vg max(ml/r)	40	71	125	180	250	355
----------------------------	----	----	-----	-----	-----	-----

Mode of operation [★available ; ☆in preparation ; —not available ;]

Pressure control	DR	☆	☆	★	★	★	☆	DR...
Power control with hyperbolic open, curve	LR	—	☆	★	★	★	☆	LR...
Manual control	MA	☆	☆	★	★	★	☆	MA
Electronic control	EO	☆	☆	★	★	★	☆	EO...
Hydraulic control, pilot pressure dependent	HD	☆	☆	☆	☆	☆	☆	HD...

Series

	☆	☆	—	—	—	—	10
	—	—	★	★	★	☆	22
	—	—	★	★	★	☆	30

Direction of Rotation

Viewed on shaft end	clockwise	R
	counterclockwise	L

Seals

NBR (Nitrile rubber to DIN ISO 1629) with shaft seal FPM	P
FPM (Fluorocarbon rubber to DIN ISO 1629)	V

Shaft end

Parallel shaft	P
Splined shaft	Z

Mounting flange

ISO 4 hole	40	71	125	180	250	355	B
------------	----	----	-----	-----	-----	-----	---

Service ports.

Port A and port B at the same side, with metric fixing screws.	10
--	----

1. Model Description

Through drive	40	71	125	180	250	355	
Without auxillary pump , without through drive	☆	☆	★	★	★	☆	N00
with through drive for mounting of axial piston unit, gear pump							
Hub/Shaft to accept							
W32×2×30×14×9g HLA4VSO/G 40	☆	☆	★	★	★	☆	K31
W40×2×30×18×9g HLA4VSO/G 71	—	☆	★	★	★	☆	K33
W50×2×30×24×9g HLA4VSO/G 125	—	—	★	★	★	☆	K34
W50×2×30×24×9g HLA4VSO/G 180	—	—	—	★	★	☆	K34
W60×2×30×28×9g HLA4VSO/G 250	—	—	—	—	★	☆	K35
With through drive, with cover closed	☆	☆	☆	☆	☆	☆	K99

Note : K99 Through drive hub for Combination pump is available ,which could meet the client's special requirement, and willfully combined with appropriate hydraulic pump.

Valves

Without valve block	0
Valve block SDVB mounted	9

Filtration

Without filter	☆	☆	★	★	★	☆	N
Filter in boost circuit, mounted	☆	☆	★	★	★	☆	F

◆Ordering code

	HL	—	HLA4VS	G	/	—												
HILEAD series																		
Hydraulic fluid																		
Axial piston unit																		
Operating mode																		
Size																		
Mode of operation																		
Series																		
Direction of rotation																		
Seals																		
Shaft end																		
Mounting flange																		
Service ports																		
Through drive																		
Control valves																		
Filter																		

1. If a second pump is factory mounted,both ordering codes must be combined with "+".

Ordering code 1st pump+ordering code 2nd pump

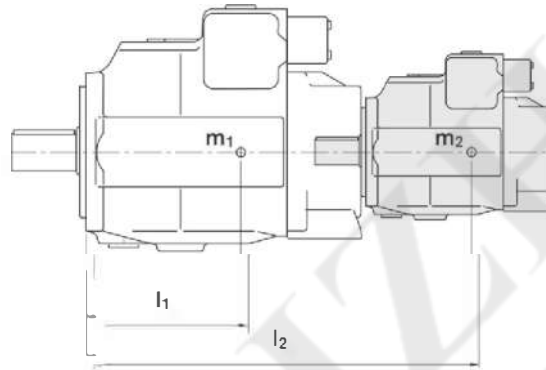
Ordering example:HLA4VSG 180 EO2/30R-PPB10K310N+HLA4VSO 40 DR/10R-PZB1 3N00.

2. If a gear pump or radial piston pump is factory mounted,please consult us.

2. Technical data

Size		40	71	125	180	250	355
N.m Perm. through drive torque	Splined shaft	445	792	1390	2000	2780	3950
	Parallel shaft	380	700	1390	1400	2300	3550
N.m Perm. mass moment of inertia (referred to the mounting flange of the main pump)		1800	2000	4200	4200	9300	15600

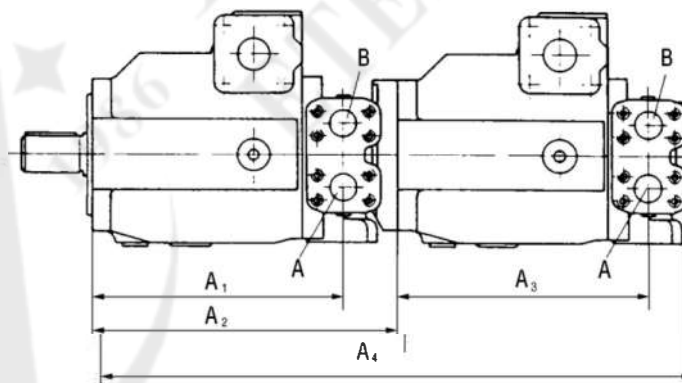
Note : The Graph for calculating mass moment of inertia



3. Unit dimensions for combination pumps

3.1 Double pump series.

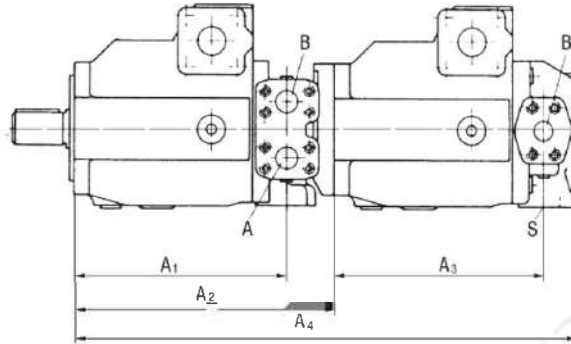
3.1.1 HLA4VSG + HLA4VSG series combination pump , outline drawing as below :



Main pump Aux.pump	HLA4VSG 40				HLA4VSG 71				HLA4VSG 125				HLA4VSG 180				HLA4VSG 250			
	A ₁	A ₂	A ₃	A ₄	A ₁	A ₂	A ₃	A ₄	A ₁	A ₂	A ₃	A ₄	A ₁	A ₂	A ₃	A ₄	A ₁	A ₂	A ₃	A ₄
HLA4VSG 40	227	288	227	569	259	316	227	597	315	347	227	628	315	371	227	652	386	431	227	712
HLA4VSG 71	-	-	-	-	259	316	259	623	315	373	259	680	315	397	259	703	386	431	259	737
HLA4VSG 125	-	-	-	-	-	-	-	-	315	379	315	742	315	403	315	766	386	469	315	832
HLA4VSG 180	-	-	-	-	-	-	-	-	-	-	-	-	315	403	315	782	386	469	315	848
HLA4VSG 250	-	-	-	-	-	-	-	-	-	-	-	-	-	-	-	-	386	469	386	912

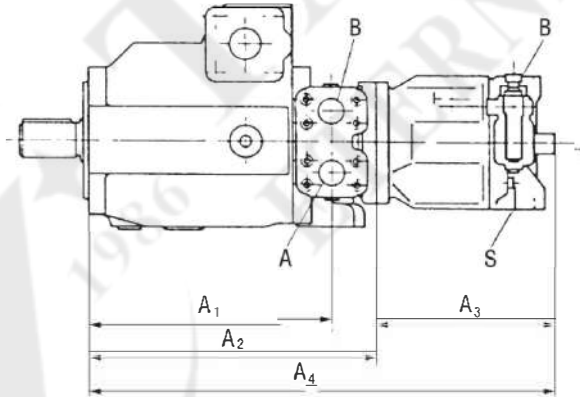
3. Unit dimensions for combination pumps

3.1.2 HLA4VSG+HLA4VSO combination pump , outline drawing as below :



Main p.	A4VSG 40				A4VSG 71				A4VSG 125				A4VSG 180				A4VSG 250			
Aux p.	A ₁	A ₂	A ₃	A ₄	A ₁	A ₂	A ₃	A ₄	A ₁	A ₂	A ₃	A ₄	A ₁	A ₂	A ₃	A ₄	A ₁	A ₂	A ₃	A ₄
HLA4VSO 40	227	288	227	557	259	316	227	585	315	347	227	616	315	371	227	640	386	431	227	700
HLA4VSO 71	-	-	-	-	259	316	254	615	315	373	254	671	315	397	254	695	386	431	254	729
HLA4VSO 125	-	-	-	-	-	-	-	-	315	379	310	734	315	403	310	758	386	469	310	824
HLA4VSO 180	-	-	-	-	-	-	-	-	-	-	-	-	315	403	318	782	386	469	318	848
HLA4VSO 250	-	-	-	-	-	-	-	-	-	-	-	-	-	-	-	-	386	469	380	908

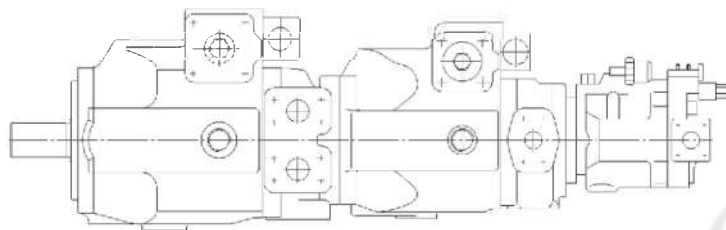
3.1.3 HLA4VSG+ other series combination pump , For example : HLA4VSG+A10VSO double pump, outline drawing as below :



Note : Concerning the dimensions of other matching combination pumps, please contact with technical department of . Taizhou Eternal

3. Unit dimensions for combination pumps

3.2 Triple pump series , For example : HLA4VSG+HLA4VSO+V15A4RS Tri pump outline drawing as below :



Note : Concerning the dimensions of other matching combination pumps, please contact with technical department of Taizhou Eternal