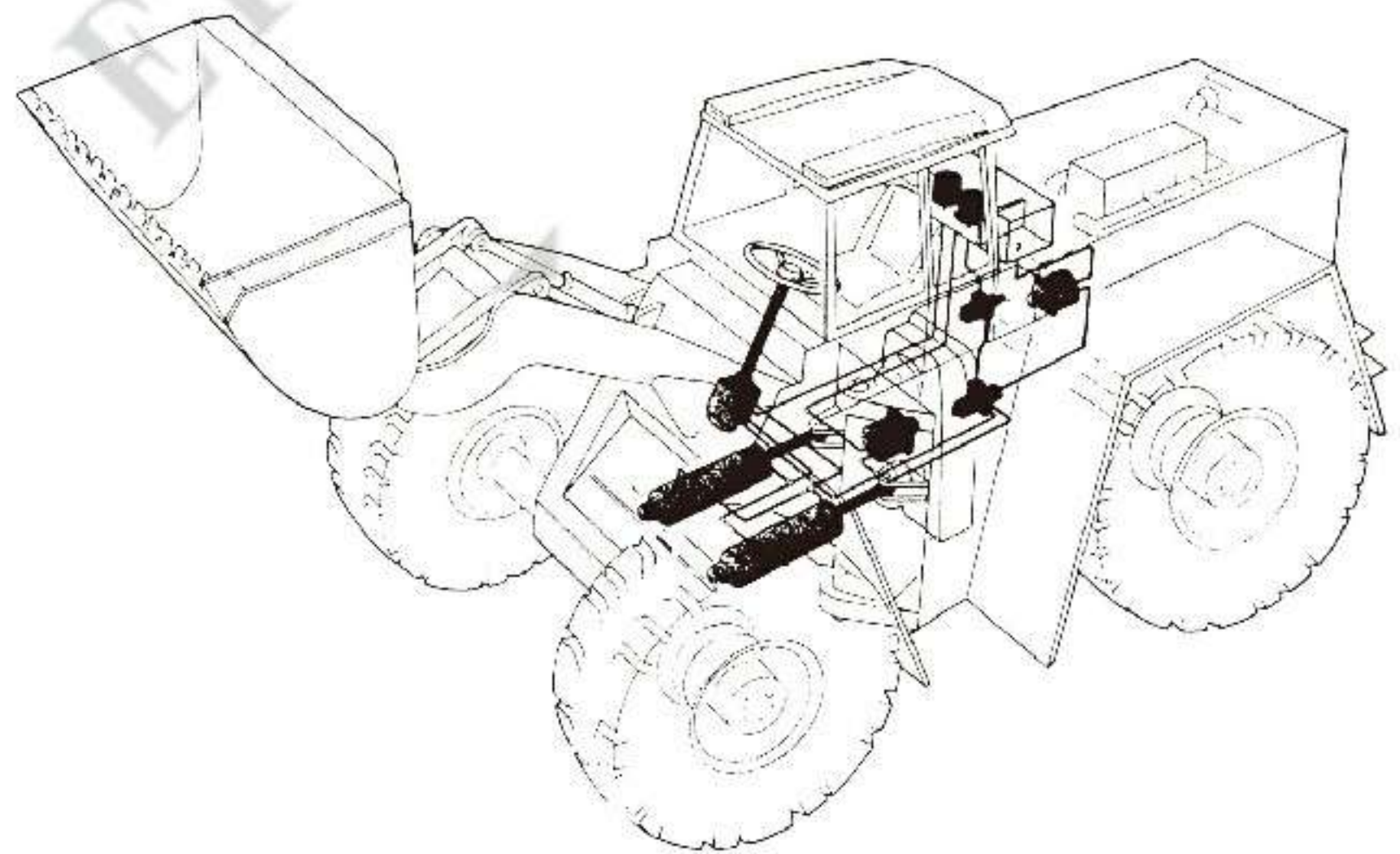
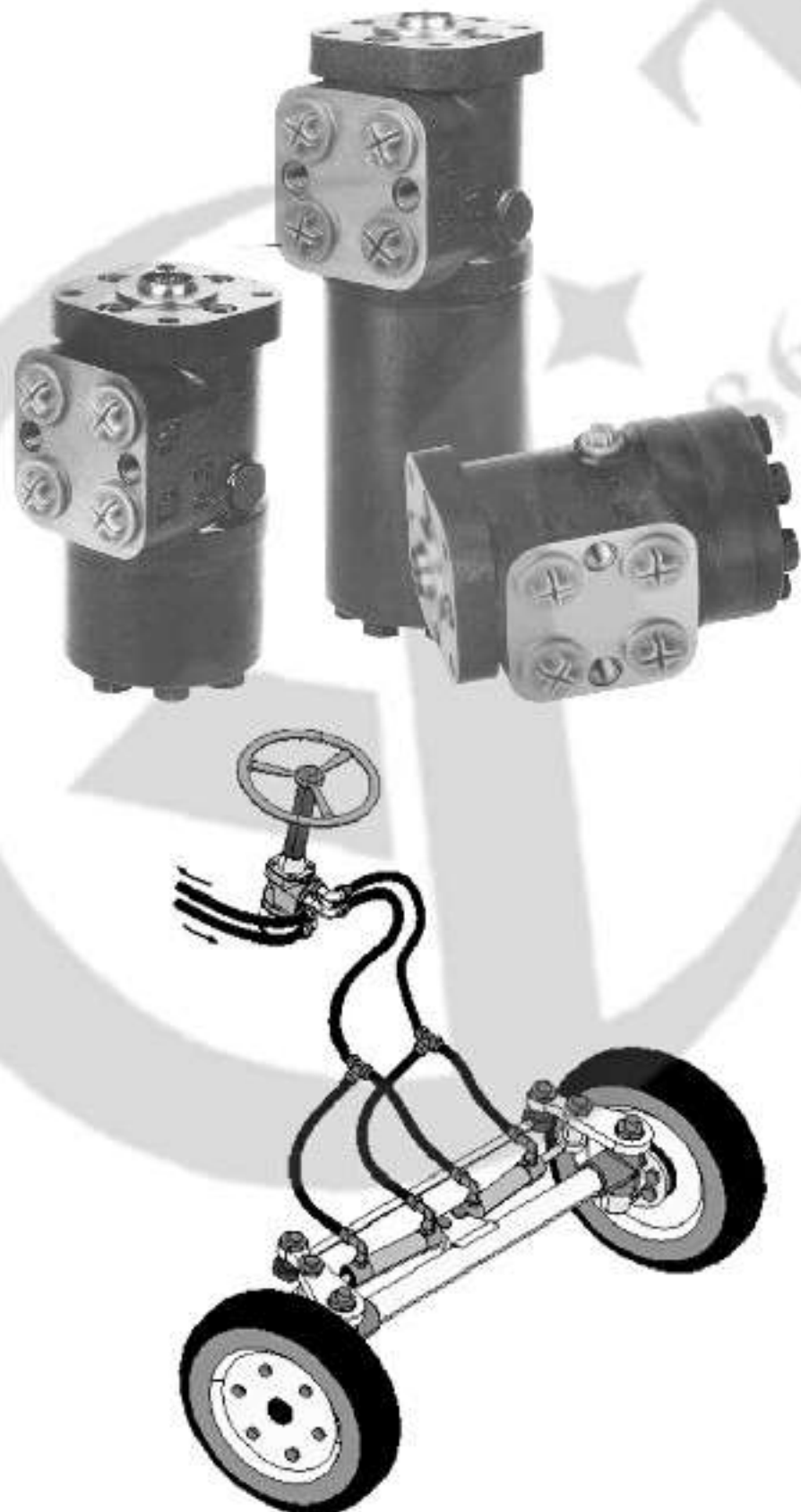
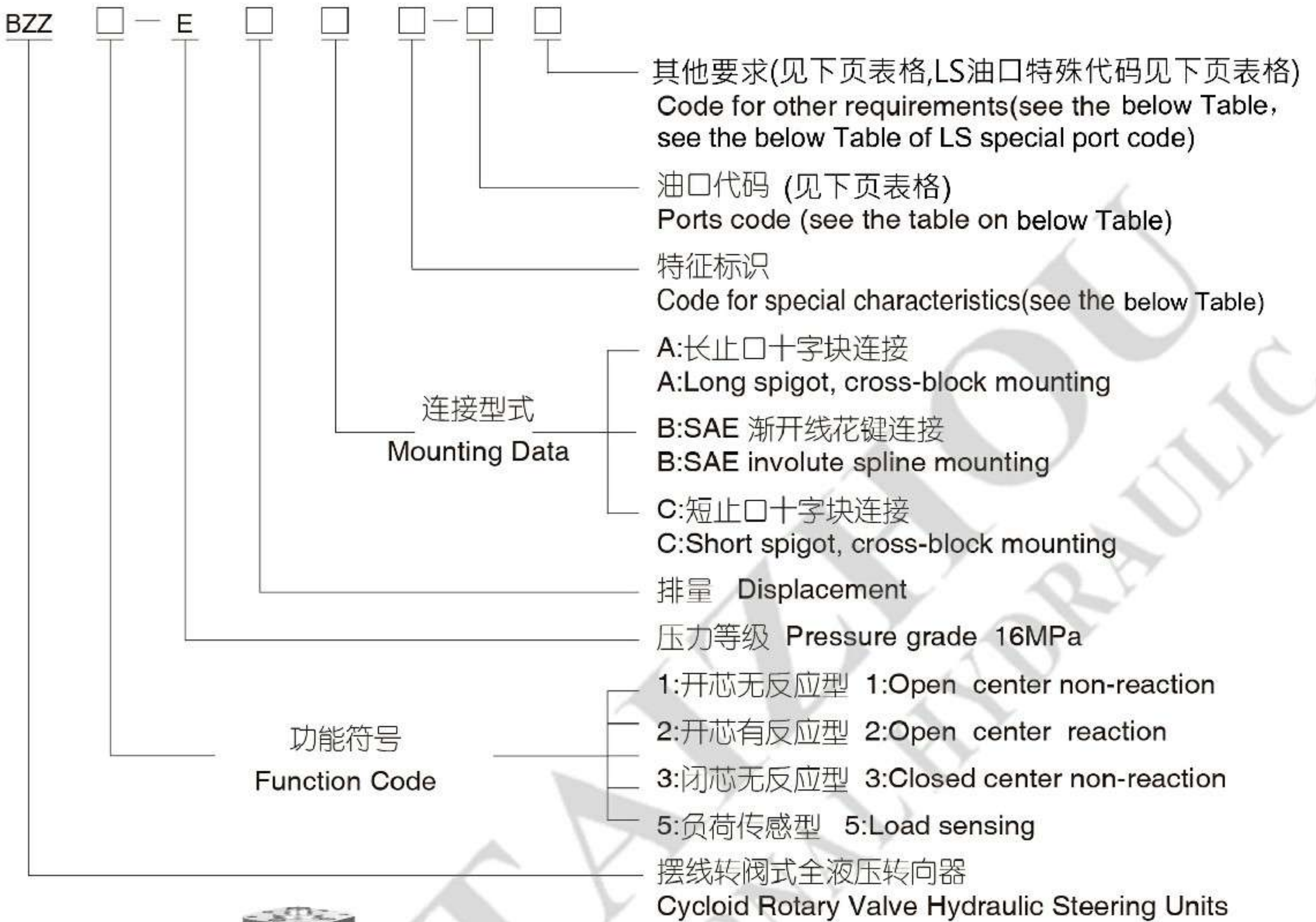


■ 型号说明 Model Code



### ■ BZZ 系列全液压转向器 Hydraulic Steering Control Unit(SCU)

类别 Category	符号 Code	含义 Definition	备注 Remark	
特征标识 Characteristic Code	(缺省) (omit)	普通型 Common Type	适合各类转向系统, 例如: 拖拉机、装载机、压路机等。 Fit various steering system, e.g. tractor, loader, and road roller, etc. mainly used in china.	
	D	输入扭矩: Input torque 1.6N·m~2.4 N·m	适合平坦路面的转向系统, 例如: 叉车。 fit steering system of vehicles that driving on flat road , such as forklift.	
	C	输入扭矩: Input torque ≤1.6N·m		
	其他性能特征要求的标识 (协议确定) Codes for the requirement of other performance characteristics (should be confirmed in an agreement)		例如: 人力转向、终点感、噪音、回位性能等方面, 或综合要求。 e.g. manual steering, lower terminal steering feeling, noise and back-to-the-neutral-position function etc., or comprehensive requirement.	
油口代码 Ports Code	代码 Code	P、T、A、B油口 Ports P,T,A,B	连接螺纹C Column Mounting C	连接螺纹V Valve Mounting V
	(缺省) (omit)	M20×1.5	M10	M12
	A	M18×1.5	M10	M12
	B	G1/2	M10	M10×1
	C	3/4-16UNF O-ring	3/8-16UNC	3/8-24UNF
	D	M20×1.5 O-ring	M10	M12
	E	M18×1.5 O-ring	M10	M12
	G	M22×1.5	M10	M12
	Q	M22×1.5 O-ring	M10	M12
	U	G1/2 O-ring	M10	M10×1
	M	3/4-16UNF O-ring	M10	M12
	I	3/4-16UNF O-ring	M10	M10
	N	3/4-16UNF O-ring	M10×1.25	M10
	R	P,T: M22×1.5 A,B: M18×1.5	M10	M12
S	P,T: M22×1.5 O-ring A,B: M18×1.5 O-ring	M10	M12	
其他要求 Other Requirements	主要指协议规定的外观、油漆颜色等方面, 协议确定代码。 Mainly refers to the appearance, paint color etc. specified by agreement; the code will be listed in the agreement.			

注1: 油口P、T、A、B的深度16 mm, 连接螺纹C、V的深度16 mm。

Note 1: Ports P,T,A,B Depth : 16 mm; Column Mounting C & V Depth: 16 mm.

### BZZ1, BZZ2, BZZ3系列全液压转向器

### BZZ1, BZZ2, BZZ3 Series Hydraulic Steering Control Units(SCU)

#### ■ 主要技术参数 Main Specification

型号 Type	排量 Displacement (mL/r)	流量 Flow (L/min)	最大入口压力 Max. input pressure (MPa)	最大连续背压 Max. cont. back pressure (MPa)	重量 Weight (kg)
BZZ □-E50 *	50	4	16	2.5	4.72
BZZ □-E63 *	63	5			4.85
BZZ □-E80 *	80	6			5.00
BZZ □-E100 *	100	7.5			5.27
BZZ □-E125 *	125	9.5			5.43
BZZ □-E160 *	160	12			5.75
BZZ □-E200 *	200	15			6.08
BZZ □-E250 *	250	19			6.48
BZZ □-E280 *	280	21			6.78
BZZ □-E315 *	315	24			7.13
BZZ □-E400 *	400	30			7.78
BZZ □-E500 *	500	38			8.67
BZZ □-E630 *	630	48			9.72
BZZ □-E800 *	800	60			11.18
BZZ □-E1000 *	1000	75			12.80

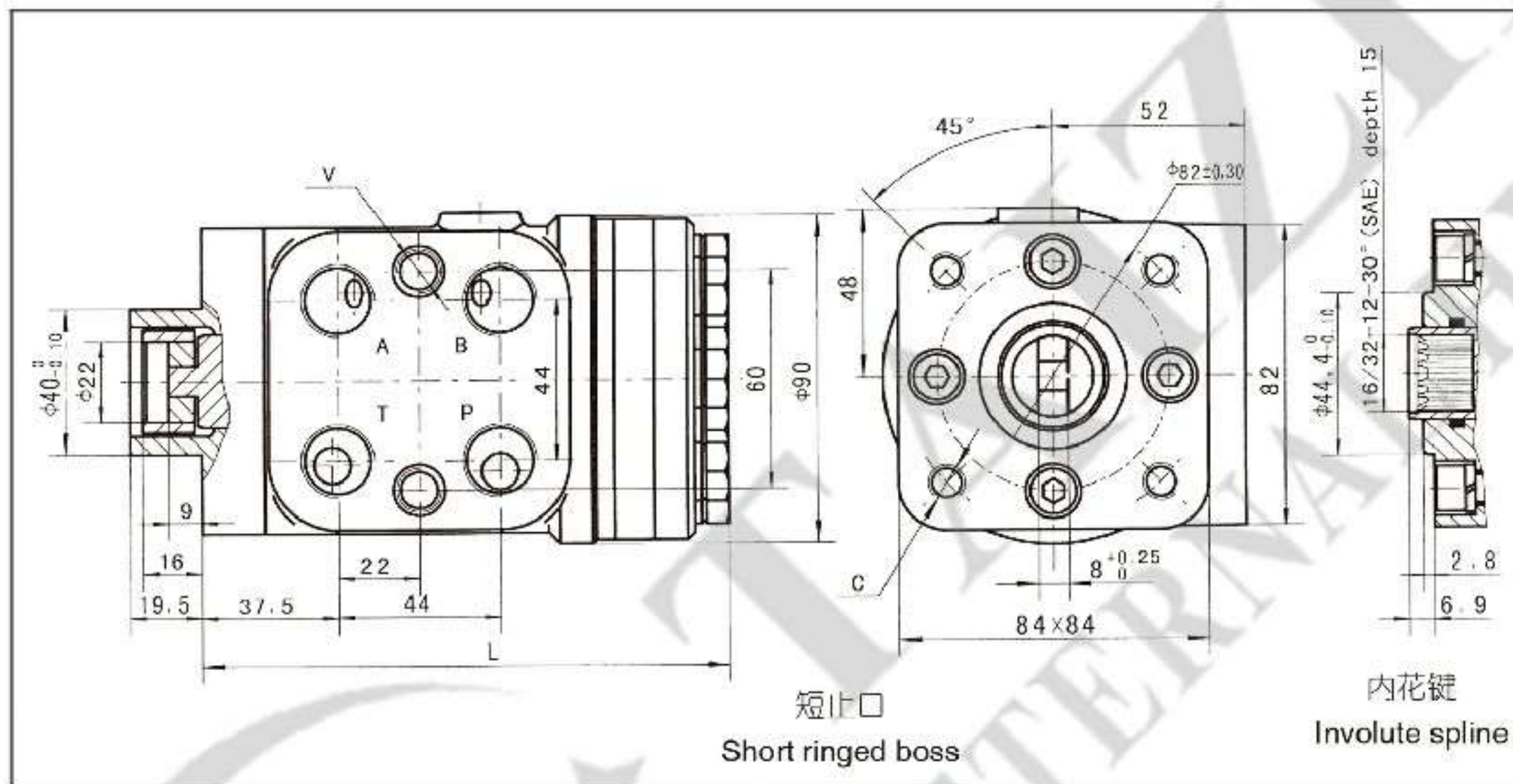
注1: □为功能符号; 其中BZZ2型转向器有50~200ml/r可供选择, BZZ1型和BZZ3型转向器有50~1000ml/r可供选择。

Note 1: □ represents Function Code, BZZ2 can be chosen for SCU with the displacement of 50~200mL/r. BZZ1 or BZZ3 can be chosen for SCU with the displacement of 50~1000mL/r.

注2: “流量”是方向盘转速为60r/min的1.25倍时的流量, 当系统设计不满足上述条件, 允许适量调整。

Note 2: "Flow" that we suggest to use is the flow of 1.25 times as much as that at the steering wheel's rotation speed of 60 r/min, If the design of system can't meet the requirements, the flow is allowed to be adjusted a little bit.

#### ■ 连接尺寸 Mounting Data



注1: 图示短止口联接形式, 长止口联接形式分别将图示9、16和19.5变为18、25和30.5;

Note1: Above is for short ringed boss connection dimension. When dimension is 18, 25, 30.5, instead of 9, 16, 19.5 long ringed boss connection is available for reference above.

注2: 油口尺寸标识选择符合P4“油口代码”;

Note2: please check Page 4 for the port code.

注3: L是产品的最大长度, 该尺寸在某些产品上可能会短2mm或4mm。

Note3: L is the maximum length dimension of product, this dimension on some product may 2mm or 4mm short.

型号 Type	长度 Length L (mm)
BZZ □-E50 *	140
BZZ □-E63 *	141
BZZ □-E80 *	142.5
BZZ □-E100 *	145
BZZ □-E125 *	148
BZZ □-E160 *	153
BZZ □-E200 *	158
BZZ □-E250 *	164
BZZ □-E280 *	169
BZZ □-E315 *	174
BZZ □-E400 *	184
BZZ □-E500 *	197
BZZ □-E630 *	216
BZZ □-E800 *	236
BZZ □-E1000 *	262

注: □为功能符号; BZZ2型转向器有50~200ml/r可供选择, BZZ1型和BZZ3型转向器有50~1000ml/r可供选择。

Note: □ represents Function Code, BZZ2 can be chosen for SCU with the displacement of 50~200mL/r. BZZ1 or BZZ3 can be chosen for SCU with the displacement of 50~1000mL/r.

BZZ1, BZZ3 系列特大排量全液压转向器  
BZZ1, BZZ3 series Hydraulic Steering Units (SCU) with Super Displacement

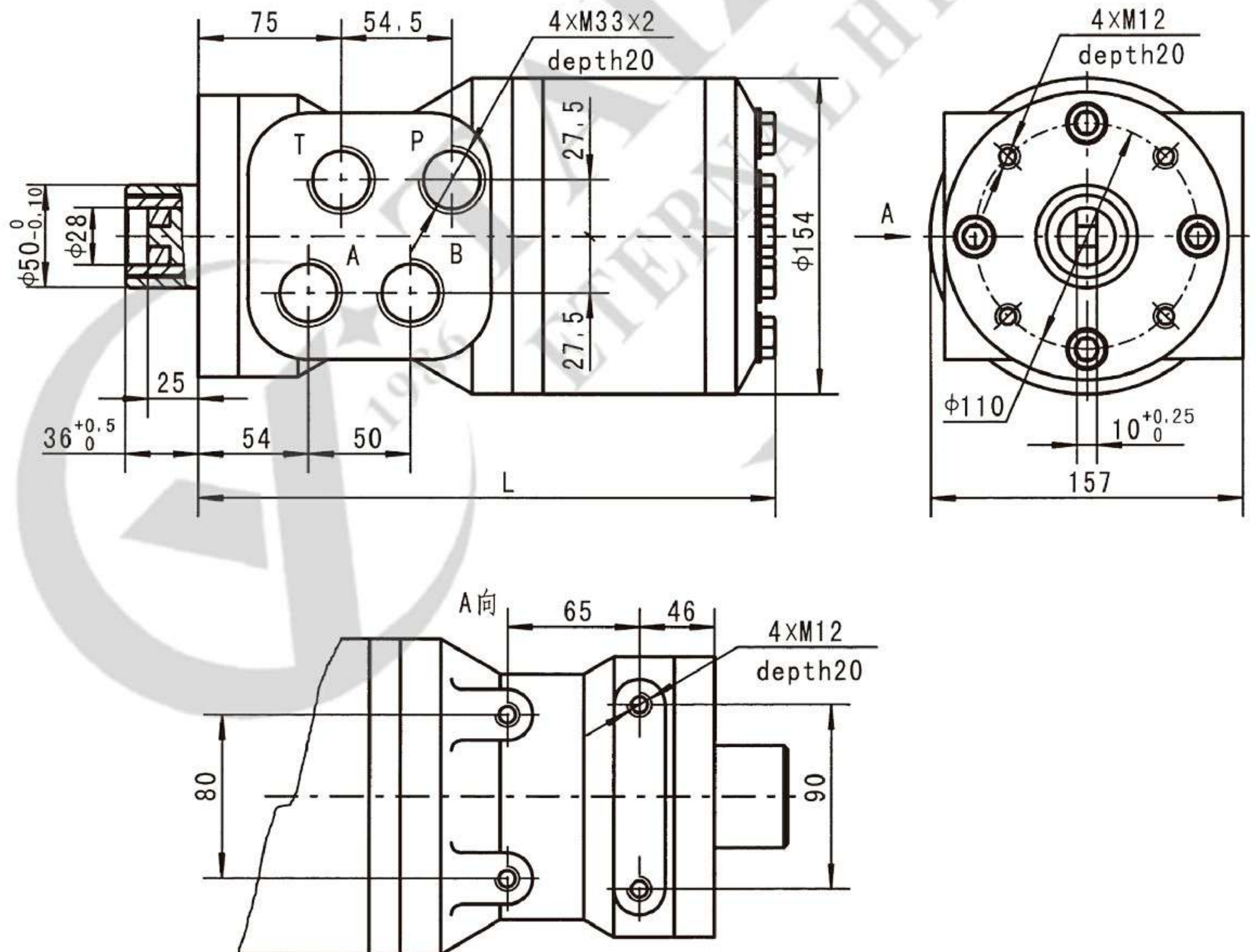
■ 主要技术参数 Main Specification

型号 Type	排量 Displacement (mL/r)	流量 Flow (L/min)	最大入口压力 Max. input pressure (MPa)	最大连续背压 Max. cont. back pressure (MPa)	总长 Length L(mm)	重量 Weight (kg)
BZZ □-E1000	1000	60	16	2.5	249	24.5
BZZ □-E1250	1250	75			261.5	25.5
BZZ □-E1600	1600	96			279	27.5
BZZ □-E2000	2000	120			299	28.5
BZZ □-E2500	2500	150			324	30

注：□为功能代码；只有BZZ1和BZZ3功能可供选择。功能代码详见第5页。

Note: □ represents Function Code, BZZ1 & BZZ3 can be chosen. please check Page 5 for Function Code explanation.

■ 连接尺寸 Mounting Data



## BZZ5 系列全液压转向器 BZZ5 Series Hydraulic Power Steering Unit

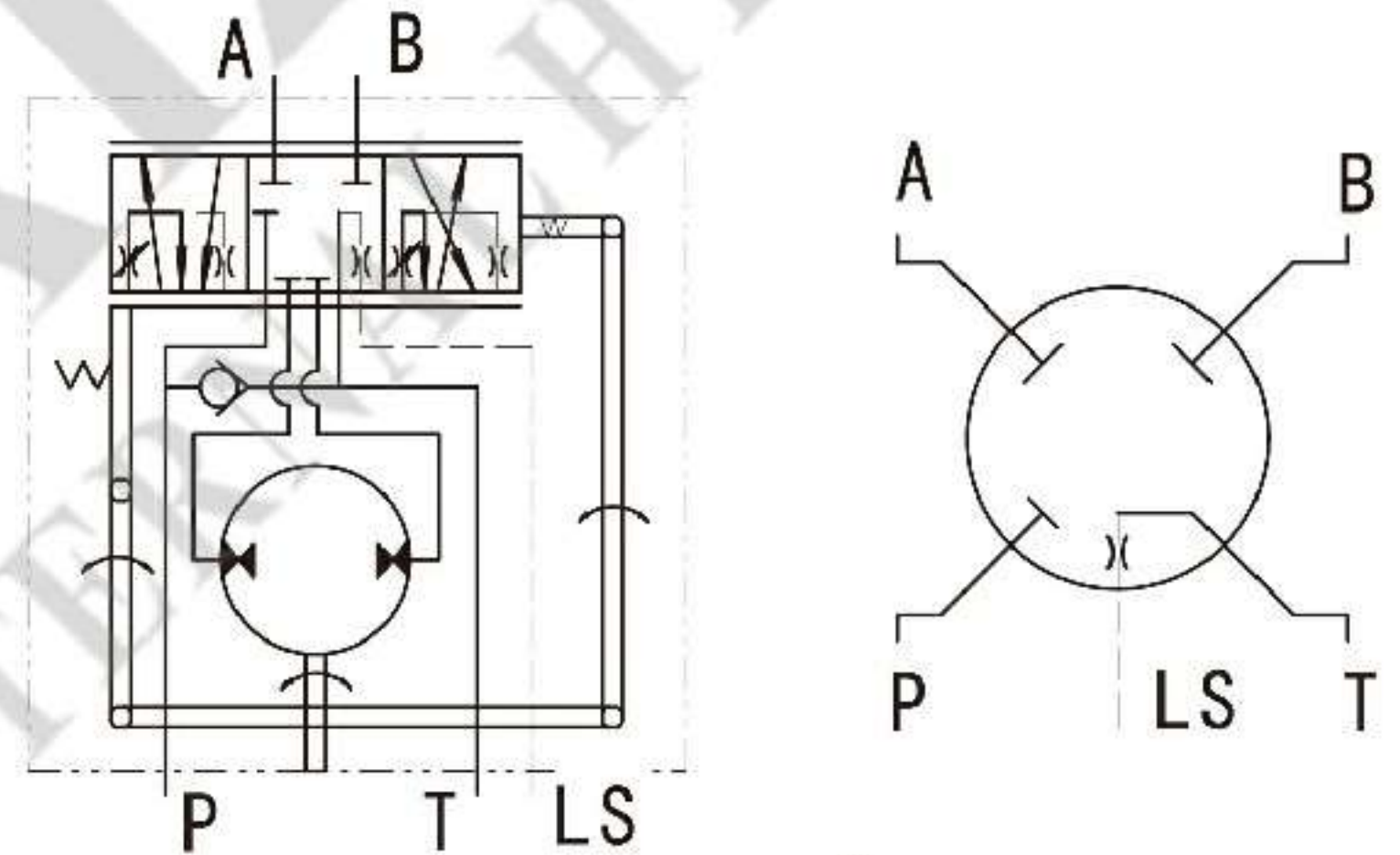
### ■ 主要技术参数 Main Specification

型号 Type	排量 Displacement (mL/r)	长度 Length L(mm)	方向盘允许最高转速 Max. input speed (rpm)	最大入口压力 Max. input pressure (MPa)	最大连续背压 Max. cont. back pressure (MPa)	最大动力转向扭矩 Max. power steering torque (N·m)
BZZ5-E 50*	50	140	100	16	1.6	≤5
BZZ5-E 63*	63	141				
BZZ5-E 80*	80	142.5				
BZZ5-E 100*	100	145				
BZZ5-E 125*	125	148				
BZZ5-E 160*	160	153				
BZZ5-E 200*	200	158				
BZZ5-E 250*	250	164	75			
BZZ5-E 280*	280	169				
BZZ5-E 315*	315	174				
BZZ5-E 400*	400	184	60			
BZZ5-E 500*	500	197				
BZZ5-E 630*	630	216				
BZZ5-E 800*	800	236				
BZZ5-E 1000*	1000	262				

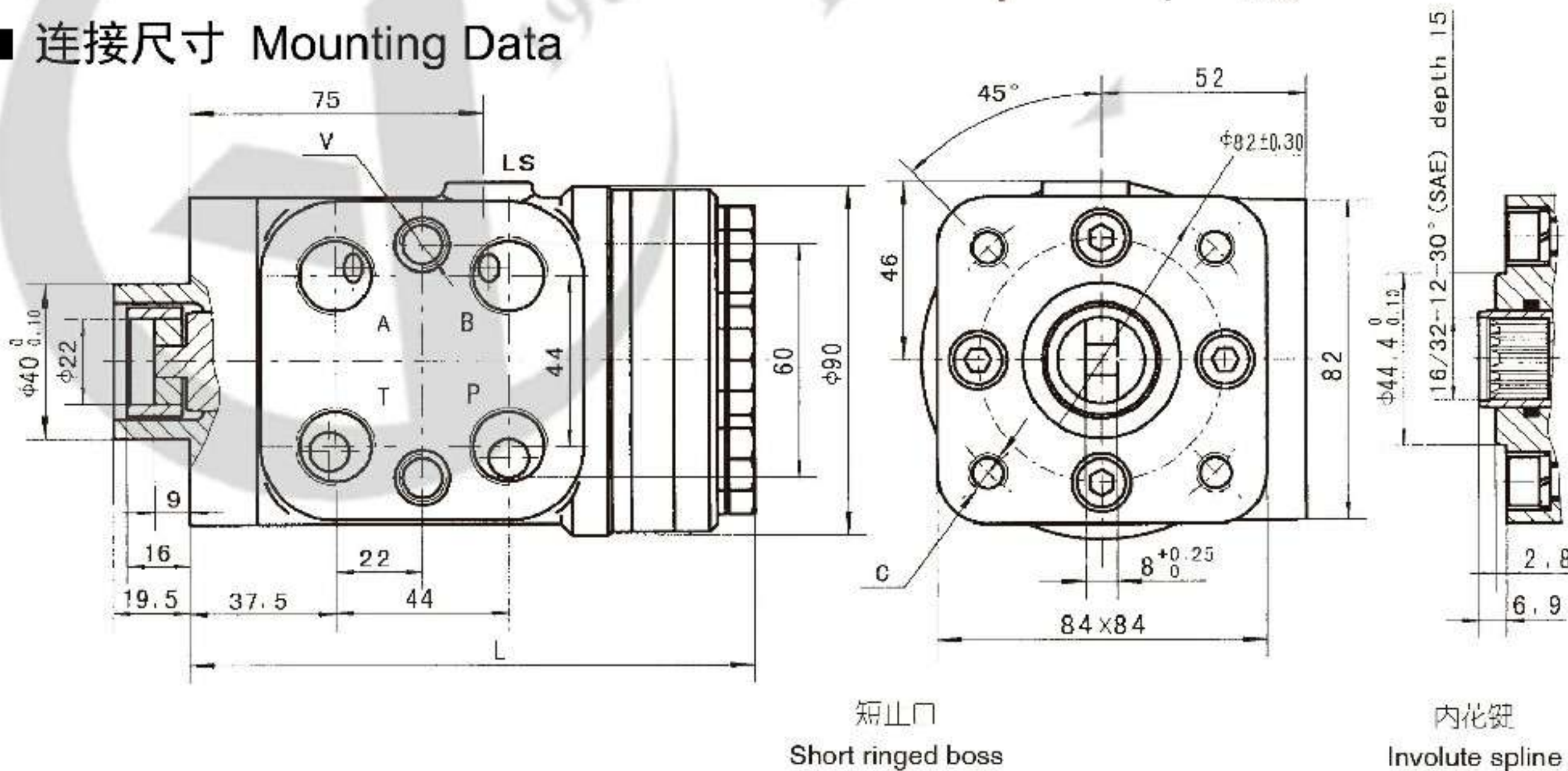
注1: L是产品的最大长度, 该尺寸在某些产品上可能会短2mm或4mm;  
Note1: L is the maximum length dimension of product, this dimension on some products may 2mm or 4mm short.

### ■ 功能符号 Function Code

BZZ5  
负荷传感型  
Load sensing



### ■ 连接尺寸 Mounting Data



### ■ BZZ5 系列全液压转向器 BZZ5 Series Hydraulic Steering Control Unit(SCU)

### ■ 油口代码 Ports Code

类别 Category	代码 Code	P、T、A、B油口 Ports P,T,A,B	连接螺纹C Column Mounting C	连接螺纹V Valve Mounting V	LS油口 Port LS
油口代码 Ports Code	(缺省) (omit)	M20×1.5	M10	M12	M12×1.5
	A	M18×1.5	M10	M12	M12×1.5
	B	G1/2	M10	M10×1	G1/4
	C	3/4-16UNF O-ring	3/8-16UNC	3/8-24UNF	7/16-20UNF O-ring
	D	M20×1.5 O-ring	M10	M12	M12×1.5
	E	M18×1.5 O-ring	M10	M12	M12×1.5
	G	M22×1.5	M10	M12	M12×1.5
	Q	M22×1.5 O-ring	M10	M12	M12×1.5
	U	G1/2 O-ring	M10	M10×1	G1/4 O-ring
	M	3/4-16UNF O-ring	M10	M12	7/16-20UNF O-ring
	I	3/4-16UNF O-ring	M10	M10	7/16-20UNF O-ring
	N	3/4-16UNF O-ring	M10×1.25	M10	7/16-20UNF O-ring
	R	P,T: M22×1.5 A,B: M18×1.5	M10	M12	M12×1.5
S	P,T: M22×1.5 O-ring A,B: M18×1.5 O-ring	M10	M12	M12×1.5	

注1: 油口P、T、A、B的深度16 mm, 连接螺纹C、V的深度16 mm, 油口LS的深度12 mm。

Note 1: Ports P,T,A,B Depth : 16 mm; Column Mounting C & V Depth: 16 mm;Port LS Depth:12mm.

当LS油口尺寸不符合上述表格中规定时, 在油口代码后面加“-”, 按照下面表格选择LS代码。

If the dimension of LS port don't comply with the specifications in the above form, add "-" after the port code and then choose LS code according to the following form.

油口代码 Ports Code	LS油口 Port LS
1	M12×1.5 O-ring
3	G1/4
5	7/16-20UNF O-ring
6	G1/4 O-ring
7	M12×1.5