



企业简介

COMPANY PROFILE

台州永畅液压机械有限公司是一家专业从事各类液压件设计、生产、销售的实力型企业，拥有8年液压元件国内外的设计销售经验！2015年与韩国公司合作成立台州永畅液压机械有限公司，韩国技术与品质管控体系，最优的服务与价格！

公司业务主要为液压元件及机械配件两大块，液压元件有叶片泵、齿轮泵、液压阀、液压马达、液压电机、压力表等液压辅件与液压系统；机械配件主要以叉车配件、卡车配件、装载机配件、压路机械配件、挖机配件为主。

公司现有PV2R油研、V/VQ威格士、T6丹尼逊、SQP东机美系列叶片泵、VP系列变量叶片泵、V10&V20&VTM42叶片泵、YB1&YB-D&YBE叶片泵、QT住友系列内啮合齿轮泵、SGP&KZP4岛津/KYB齿轮泵、HGP&GPY&P2齿轮泵、CBN&CBT&CBK齿轮泵、油研&力士乐系列液压阀、BM伊顿系列摆线马达、电机泵组，产品广泛应用于塑料机械、压铸机械、锻压机械、工程机械、橡胶机械、玻璃制品机械、烟草机械、皮革机械及各类液压系统等领域。

永畅液压致力成为国内外液压机械行业最具影响力的供应商。专注液压传动领域发展，是永畅未来发展的重大目标！诚邀各界英才莅临指导合作！

Taizhou Eternal Hydraulic Machine Co., Ltd is a strength Professional company which specialized in Hydraulic Component and Machine Parts in China, with more than 8 years experience focusing on the abroad and Domestic Market.

In cooperation with the Korean company, the company was established in 2015, with Korea technology and Quality Control system, best service and price in China.

Our main business are Hydraulic Components and Machine Parts, Hydraulic Components including Hydraulic Vane pump, Hydraulic Gear Pump, Hydraulic Valve, Hydraulic Motor, Electric Motor, Hydraulic accessories and Hydraulic System etc.

The Machine Parts including Forklift parts, Truck Parts, Wheel Loader parts, Excavator Parts etc.

Our products include: PV2R Yuken vane pump, V/VQ Vickers vane pump, T6 Den son vane pump, SQP Tokimec vane pump, VP variable vane pump, V10&V20&VTM42 vane pump, QT Sumitomo gear pump, SGP&KZP4 Shimadzu/KYB gear pump, HGP&GPY&P2 Gear Pump, CBN/CBT/CBK gear pump, Yuken&Rexroth Series Hydraulic Valve, BM series Eaton&Danfoss Hydraulic Motor, Electric Motor etc, are widely used in Construction Machinery, Mining Machinery, Rubber&Plastic machinery, Shoe Machinery, Die Casting Machinery, Metallurgical Machinery, Metal Cutting Machinery and all types hydraulic systems.

Devotion makes perfection in hydraulic industry. We commit ourselves to the supplier of hydraulic components with most influential in China.

Welcome to visit the guidance and cooperation!

CONTENT

HYDRAULIC VALVE

A. Directional Valve Series

A1~A3	4WE Series Solenoid Directional Control Valve
A4~A6	4WEH/4WH Series Solenoid Pilot/ Hydraulic Operated Directional Control Valve
A7~A8	DSG Series Solenoid Directional Control Valve
A9~A11	DSHG/DHG Series Solenoid Pilot/ Hydraulic Operated Directional Control Valve
A12	YJ4WE6 Series Solenoid Directional Control Valve
A13~A16	DM Series Manual Operated Directional Valve
A17	DCG Series Mechanical Operated Directional Valve
A18	SW Series Solenoid Check Valve
A19	CP(D) Series Pilot Operated Check Valve
A20	RVP Series Check Valve
A21	AJ Series Orthogonal Check Valve
A22	CIT Series In-line Check Valve
A23	DL4WE Series Solenoid Serial Mounting Directional Valve
A24	KVH Series Solenoid Serial Mounting Directional Valve
A25~A27	4WEJ Series Solenoid Directional Control Valve with Spool Position Detection

B. Modular valve Series

B1~B3	MRV Series Modular Relief Valve
B4	MSRV Series Modular Solenoid Operated Relief Valve
B5~B7	MBRV Series Modular Reducing Valve
B8	MSBRV Series Modular Solenoid Reducing Valve
B9~B10	MC Series Modular Check Valve
B11~B12	MSC Series Modular Solenoid Check Valve
B13~B14	MSCC Series Modular Solenoid Two Way Check Valve
B15~B17	MTCV Series Modular Throttle Check Valve
B18~B19	MT(CV) Series Modular Throttle (Check) Valve
B20~B21	MST Series Modular Solenoid Throttle Valve
B22~B23	MPCV Series Modular Pilot Operated Check Valve
B24	MCS Series Modular Balance Valve

C. Pressure Valve Series

C1~C3	DB Series Pilot Operated Relief Valve/ DBW Series Solenoid Operated Relief Valve
C4~C5	DA Series Pilot Operated Unloading Valve/ DAW Series Solenoid Operated Unloading Valve
C6~C7	DR Series Pilot Operated Pressure Reducing Valve
C8~C9	DZ Series Pilot Operated Pressure Sequence Valve
C10~C12	BS Series Low Noise Pilot Operated Relief Valve/ SBS Series Low Noise Solenoid Operated Relief Valve
C13~C14	RV Series Pilot Operated Relief Valve
C15~C16	SRVG Series Solenoid Operated Relief Valve
C17	DG Series Remote Control Relief Valve
C18~C19	DBD Series Direct Operated Relief Valve
C20~C21	H(C)G Series Sequence Counter Balance Unloading Valve

D. Proportional Valve Series

D1	EDG Series Proportional Directly Operated Relief Valve
D2~D3	EBG Series Proportional Pilot Operated Relief Valve
D4~D5	EBDG Series Proportional Pressure and Flow Control Valve
D6~D7	DRE Series Proportional Pilot Operated Pressure Reducing Valve
D8	4WRA Series Proportional Directional Control Valve

E. Flow control valve series

E1	JMP Series Mechanical Operated Throttle Check Valve
E2~E3	DV/DRV Series Throttle Valve/ Throttle Check Valve
E4	TV/TCV Series Throttle Valve/ Throttle Check Valve

4WE series directional control valves are solenoid operated directional spool valves, these valves are used to the start, stop and direct oil flow.



Technical specification

Model		4WE3	4WE4	4WE5	4WE6
Max. flow rate (l/min)		15	20	14	80
Working pressure (MPa)		A, B, P port	A, B, P port	A, B, P port	A, B, P port
		31.5	31.5	25	31.5
		T port	T port	T port	T port
		10	10	6	16
Weight (kgs)	Single solenoid	0.55	0.83	1	1.5
	double solenoids	0.7	1.1	1.4	2.2

Ordering details

4WE	6	E	60	○	G24	N	Z4L
Sort	Nominal size	symbols	Series number	Spool return	Input voltage	Manual override	Connector type
4/3 and 4/2 Solenoid operated directional valve	3:NG3 4:NG4 5:NG5 6:NG6 10:NG10	See symbols list	61:WE3,4 50:WE4 60:WE5,6 30:WE10	No code: Spring return O: Without spring return OF: Without spring return with detent.	G12:DC12 G24:DC24 W220:AC220 W110:AC110 W220R:RAC220 W110R:RAC110	No code: Without manual override N: With manual override	Z4: Standart plug-in connector Z4L: Plug-in connector with light

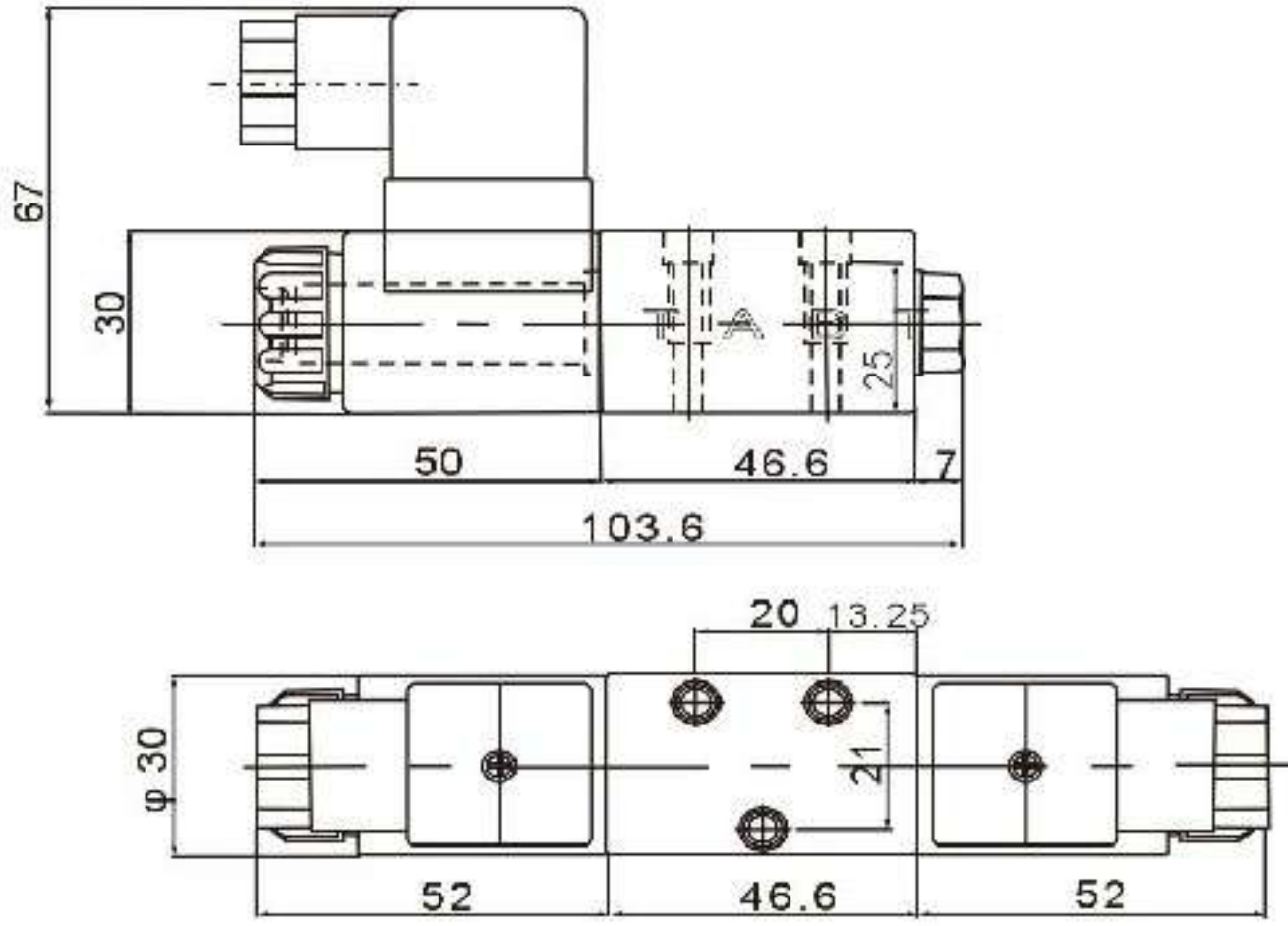
Symbol list



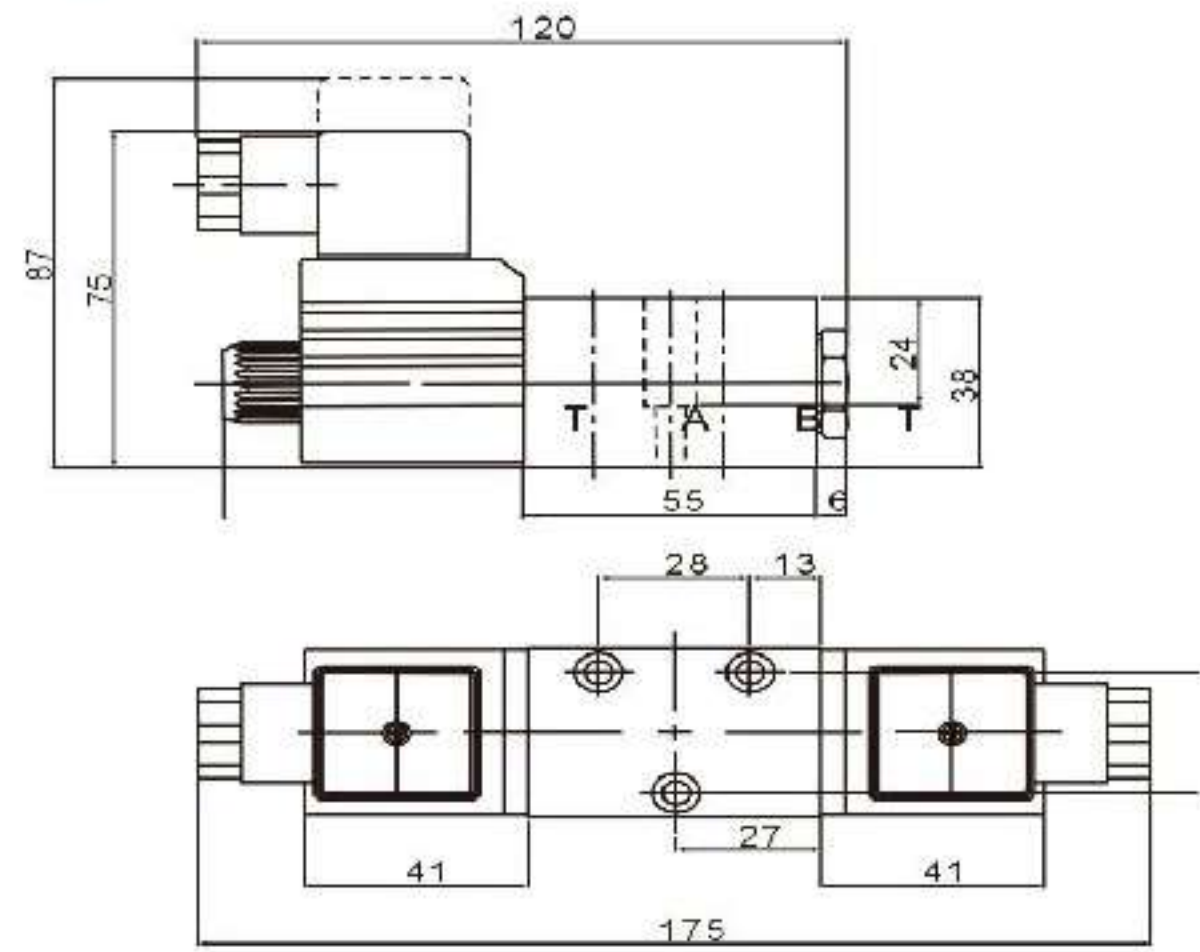
Dimensions

Unit: mm

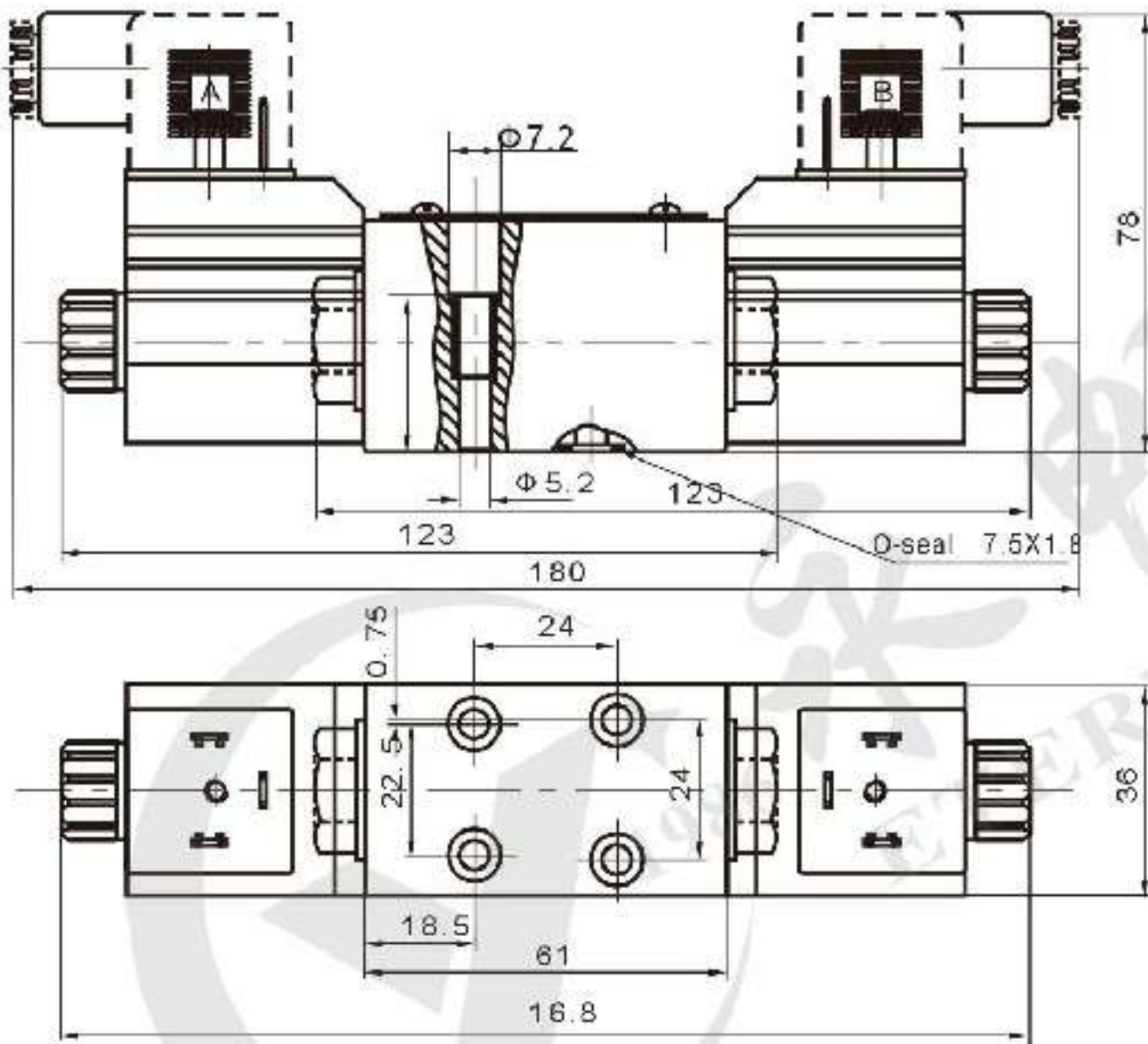
4WE3



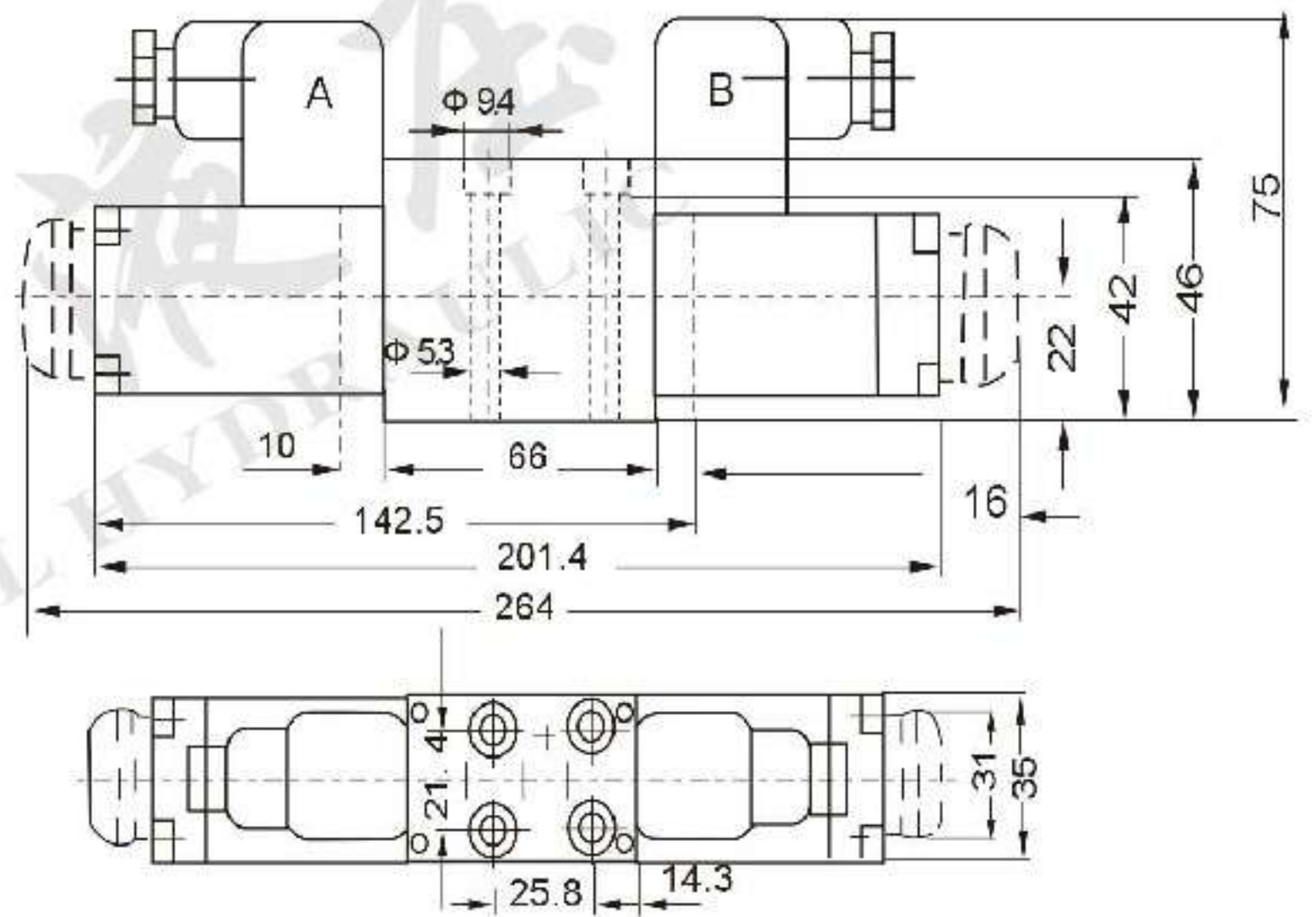
4WE4



4WE4



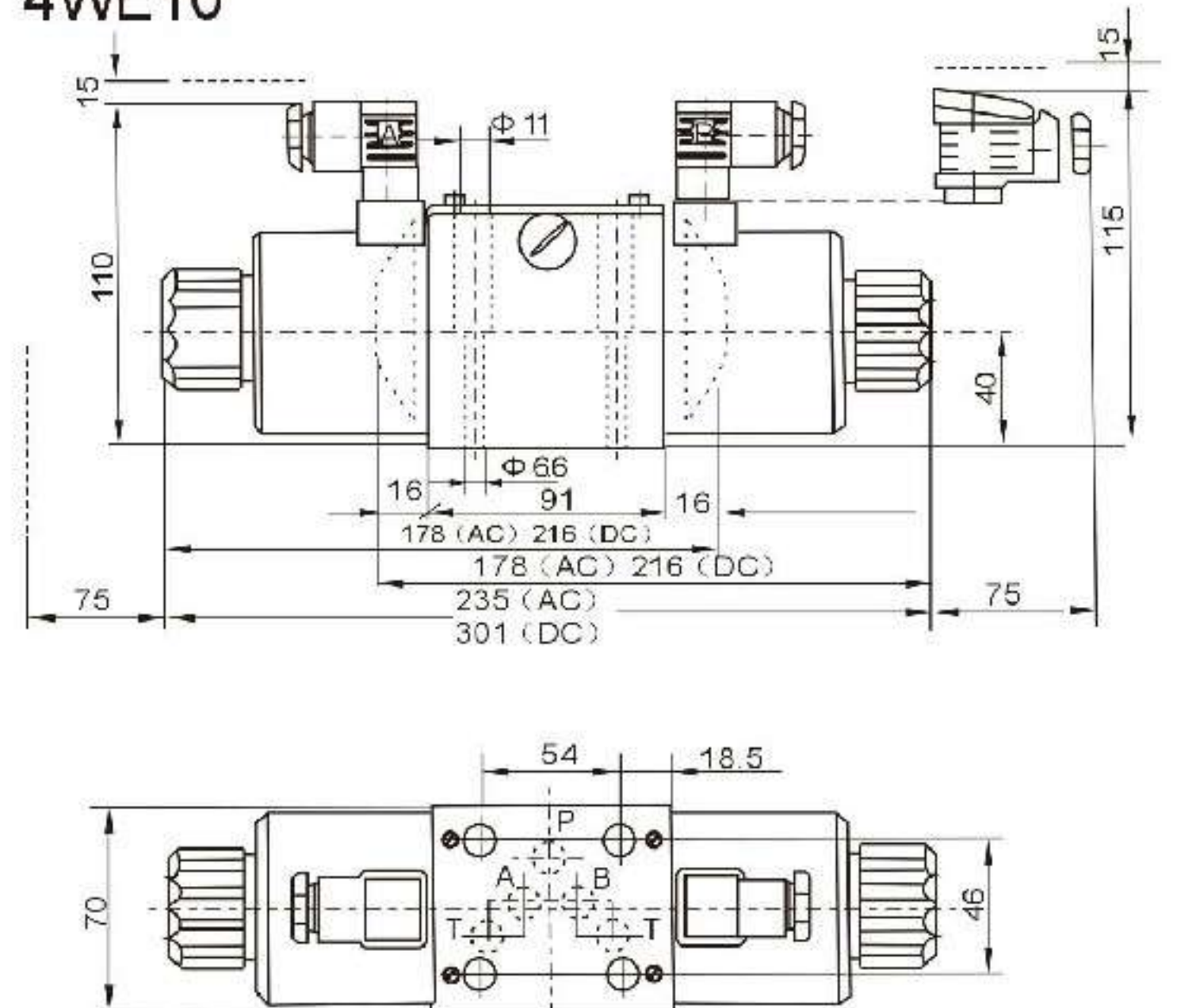
4WE5



4WE6



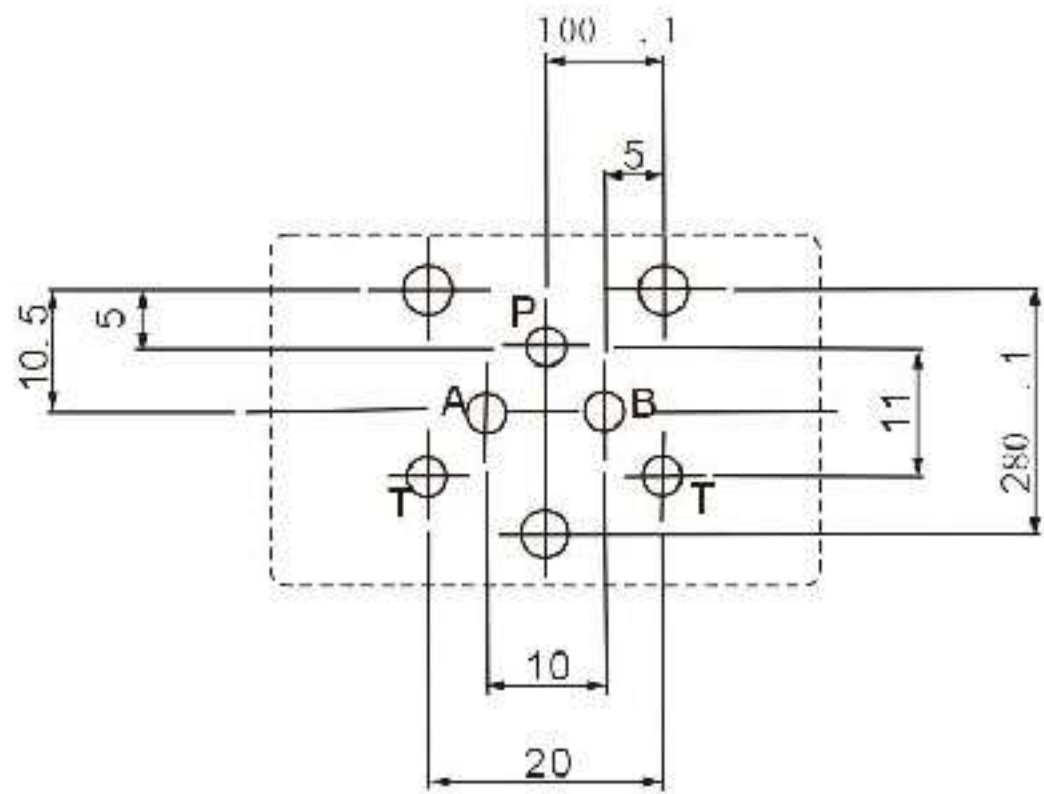
4WE10



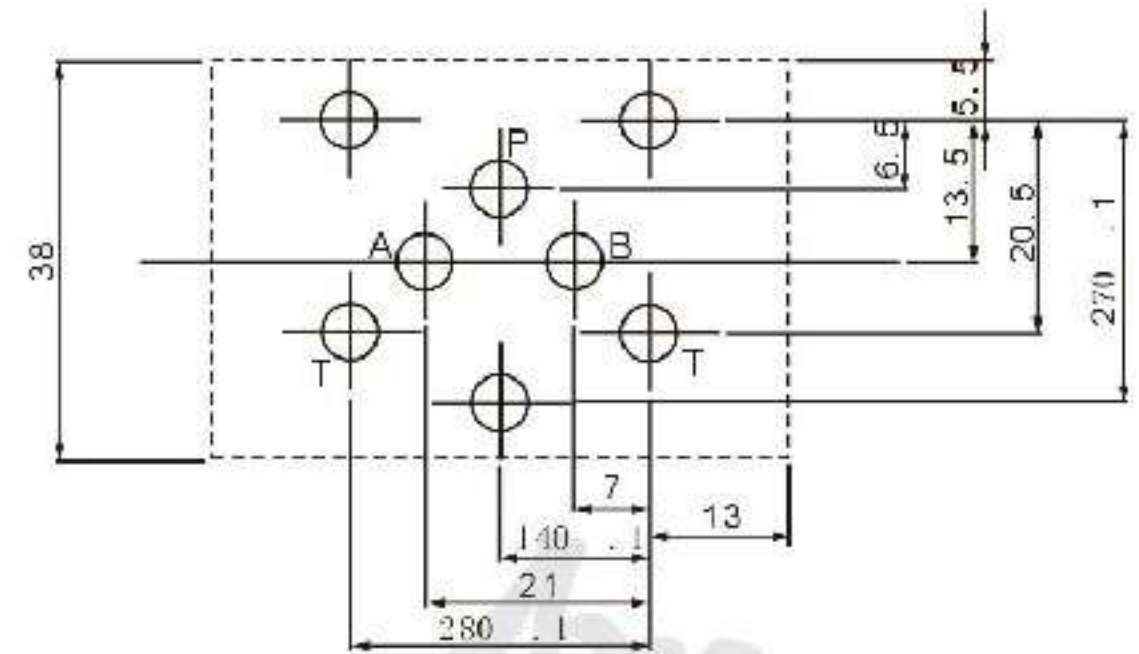
Mounting dimensions

Unit: mm

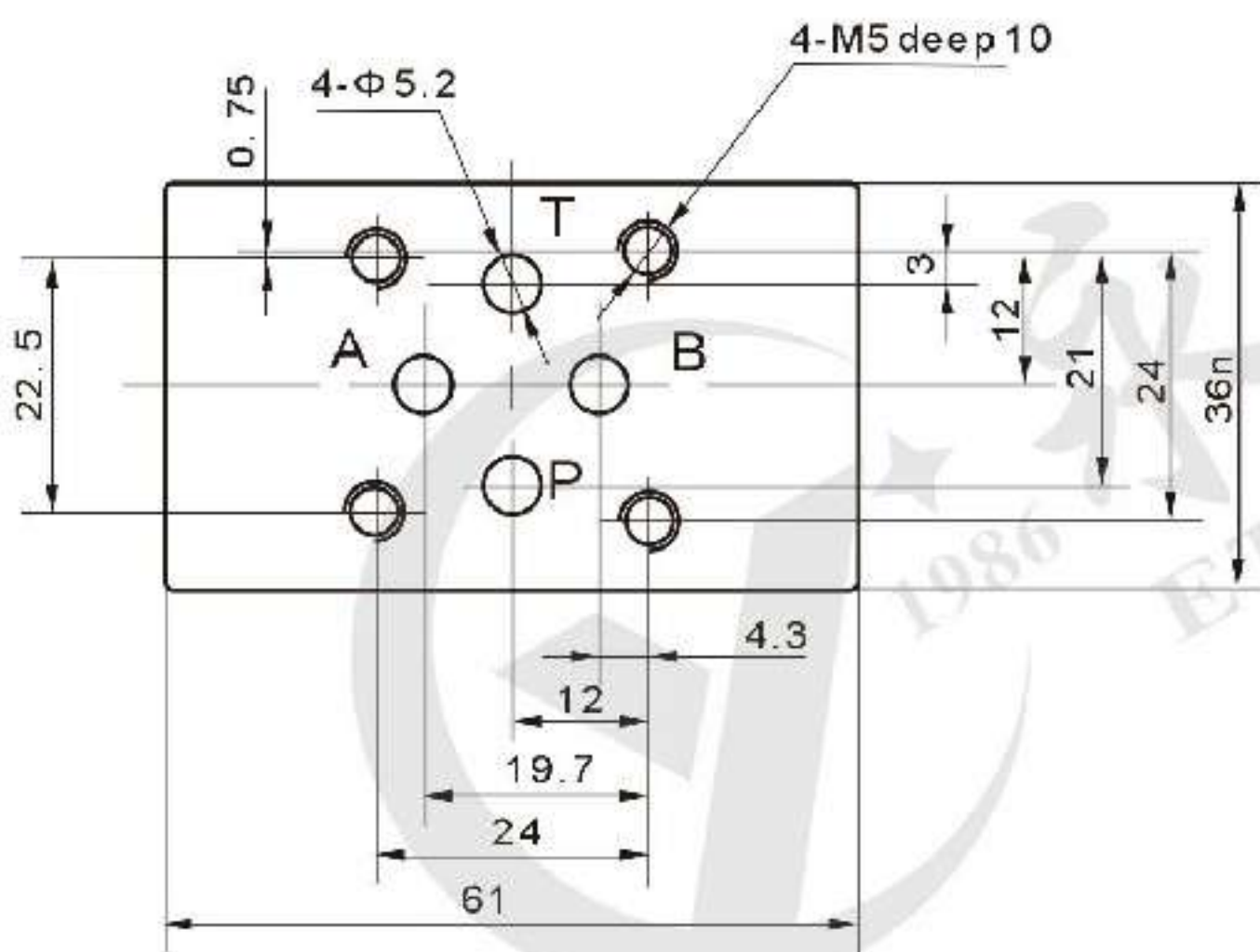
4WE3



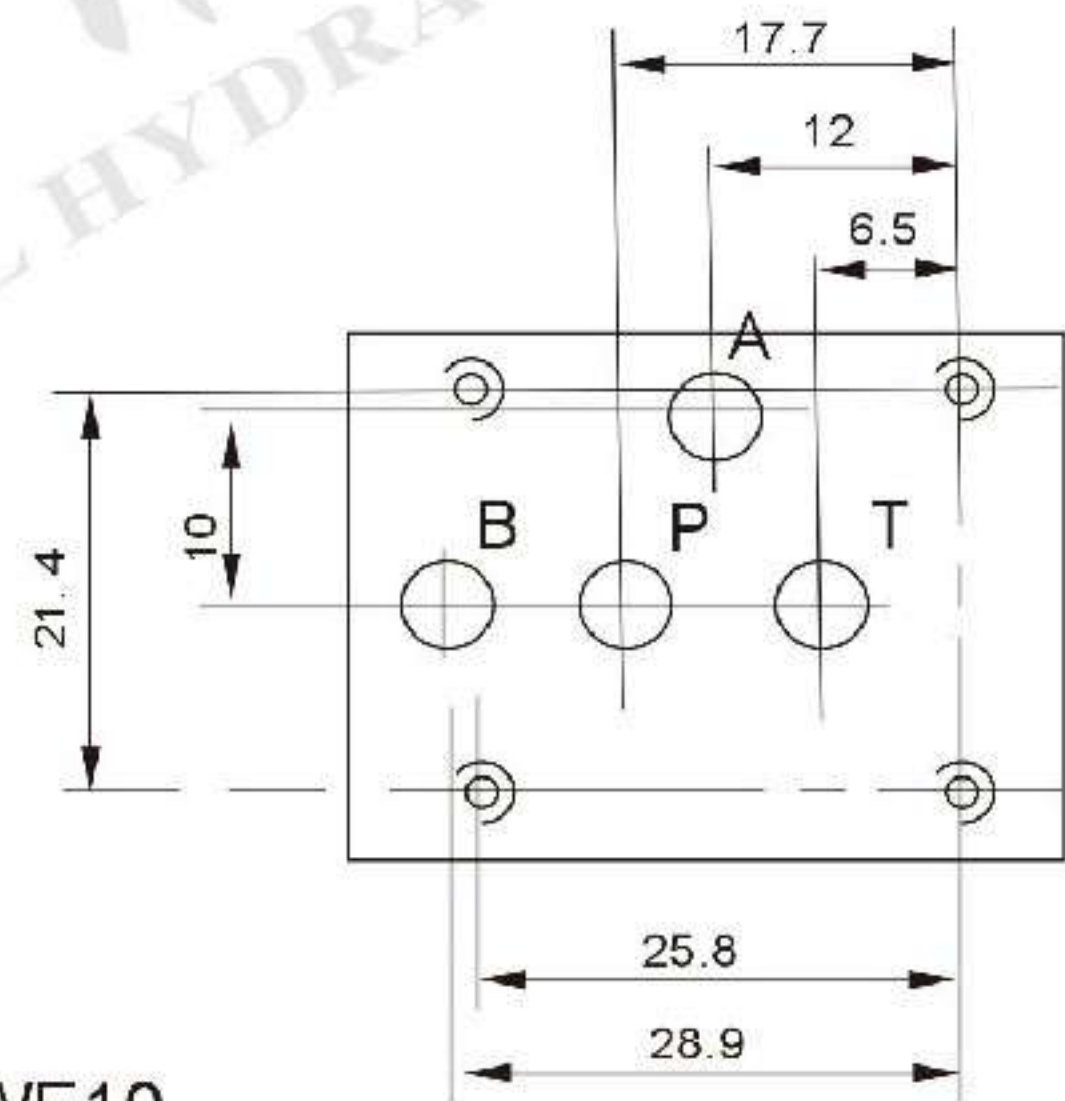
4WE4



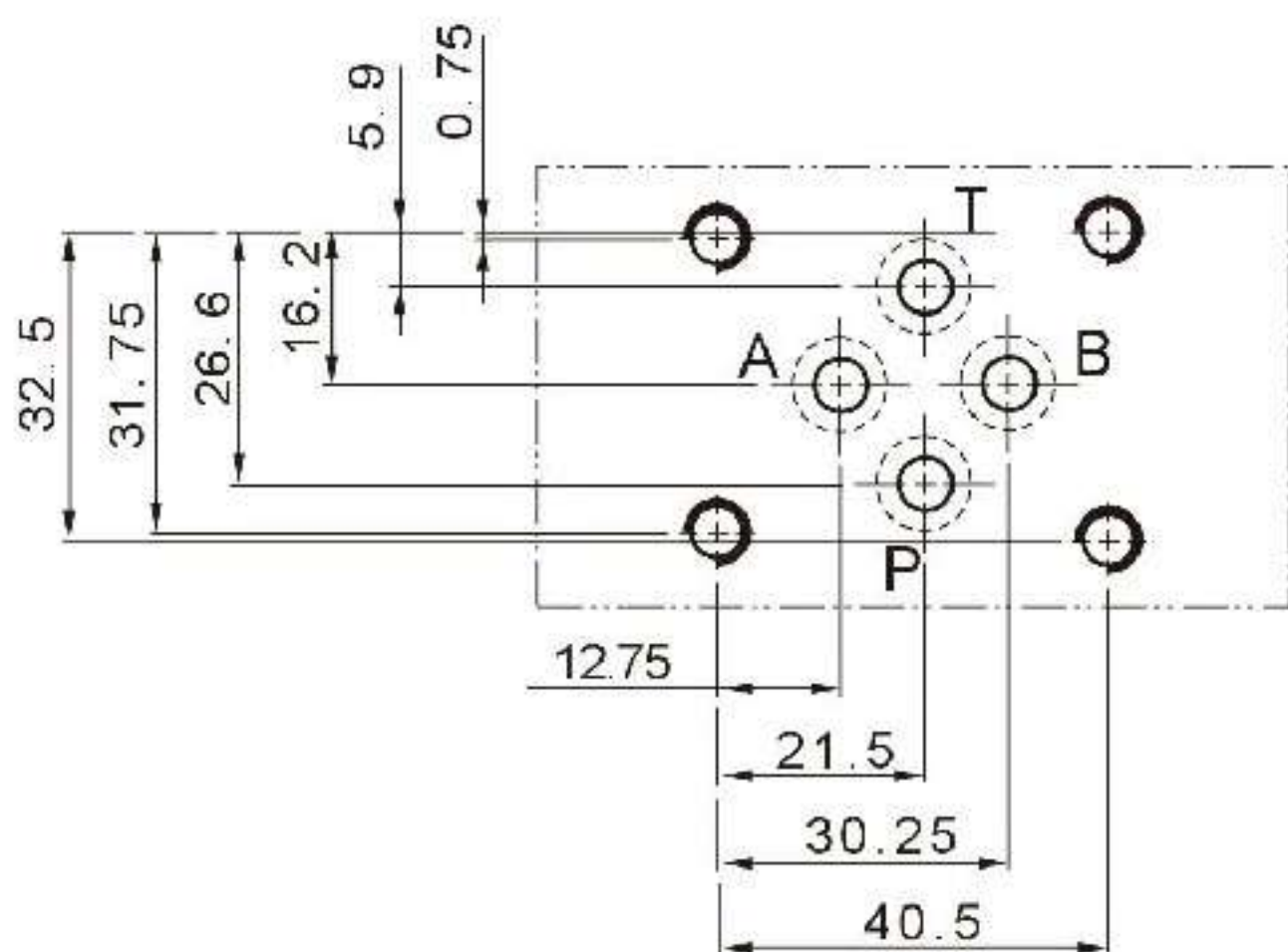
4WE4



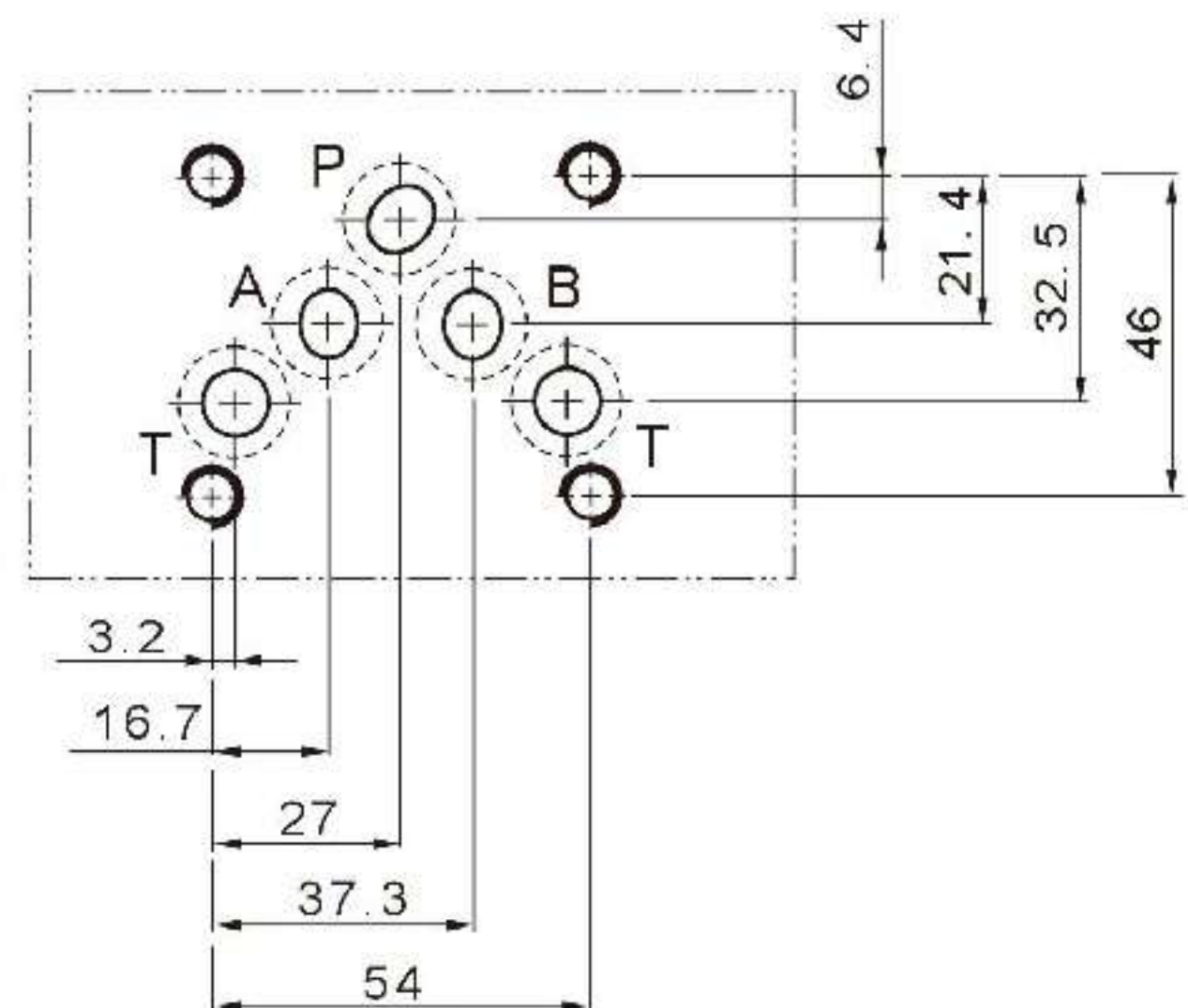
4WE5



4WE6



4WE10



4WEH series solenoid pilot operated directional valves are solenoid pilot operated spool type valves. This series are used to control the start, stop and direction of flow. 4WH series hydraulic operated directional valves can be used to change the direction of hydraulic oil by moving the main spool when the valve receives a hydraulic signal from the pilot hydraulic oil.



Technical specification

Model		4WEH10	4WEH16	4WEH25	4WEH32
Max. flow rate (l/min)		160	300	500	1100
Working pressure (MPa)	A, B, P port	31.5			
	T port	External drain	25		
		Internal drain	16(DC) 10(AC)		
	Y port	External control	16(DC) 10(AC)		
Max. operating pressure (MPa)		25			
Weight (kgs)	Pilot valve with single solenoid	1.5			
	Pilot valve with double solenoids	2.2			
	4WEH valve	6.5	7.3	16.5	39.5

Ordering details

4WEH	25	E	50	O	G24	N
Sort	Nominal size	symbols	Series number	Pilot solenoid valve spool return	Input voltage	Manual override
4WEH: Solenoid pilot operated directional valve 4WH: Hydraulic operated directional valve	10: NG10 Cetop5 16: NG16 Cetop7 25: NG25 Cetop8 32: NG32 Cetop10	See symbols list	20: NG10 50: NG16, NG25, NG32	No code: Spring return O: Without spring return OF: Without spring return with detent.	G12: DC12 G24: DC24 W220: AC220 W110: AC110 W220R: RAC220 W110R: RAC110	No code: Without manual override N: With manual override

ET	S	Z4L	P4.5	*
Oil control	Shifting time adjustment	Connector type	Pre-pressure valve	Remark
See oil control list	No code: Without shifting time adjustment S: Shifting time adjustment as meter-in control S2: Shifting time adjustment as meter-out control	Z4: Standart plug-in connector Z4L: Plug-in connector with light	No code: Without prepressure valve P4.5: With prepressure valve	Further requirements

No code	External control external drain
E	Internal control external drain
T	External control internal drain
ET	Internal control internal drain

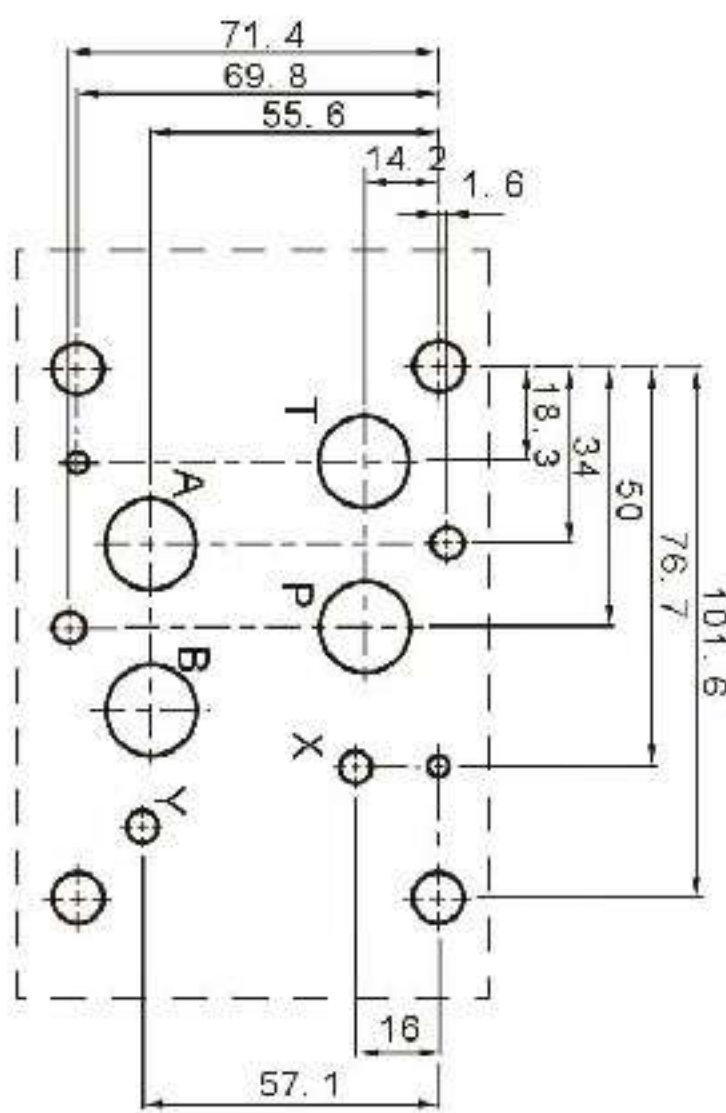
Symbol list



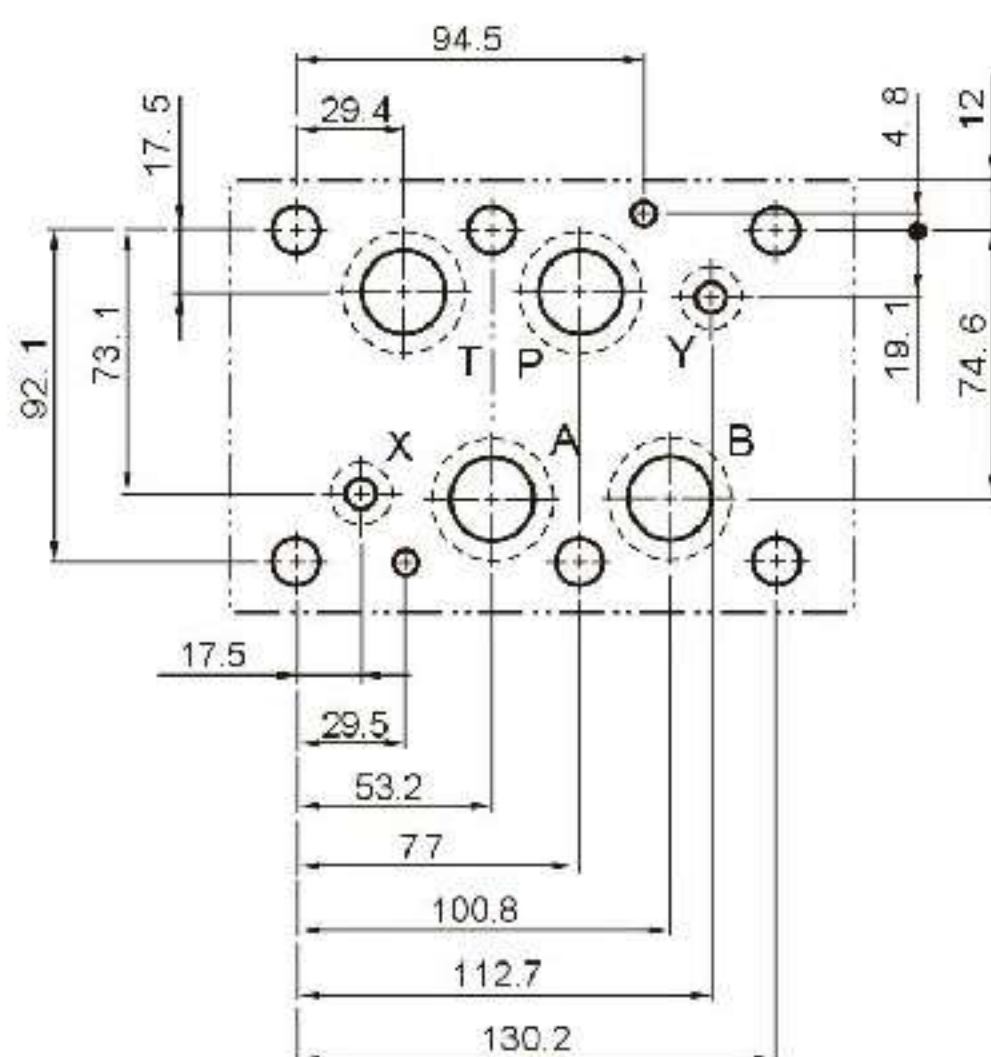
Mounting dimensions

Unit: mm

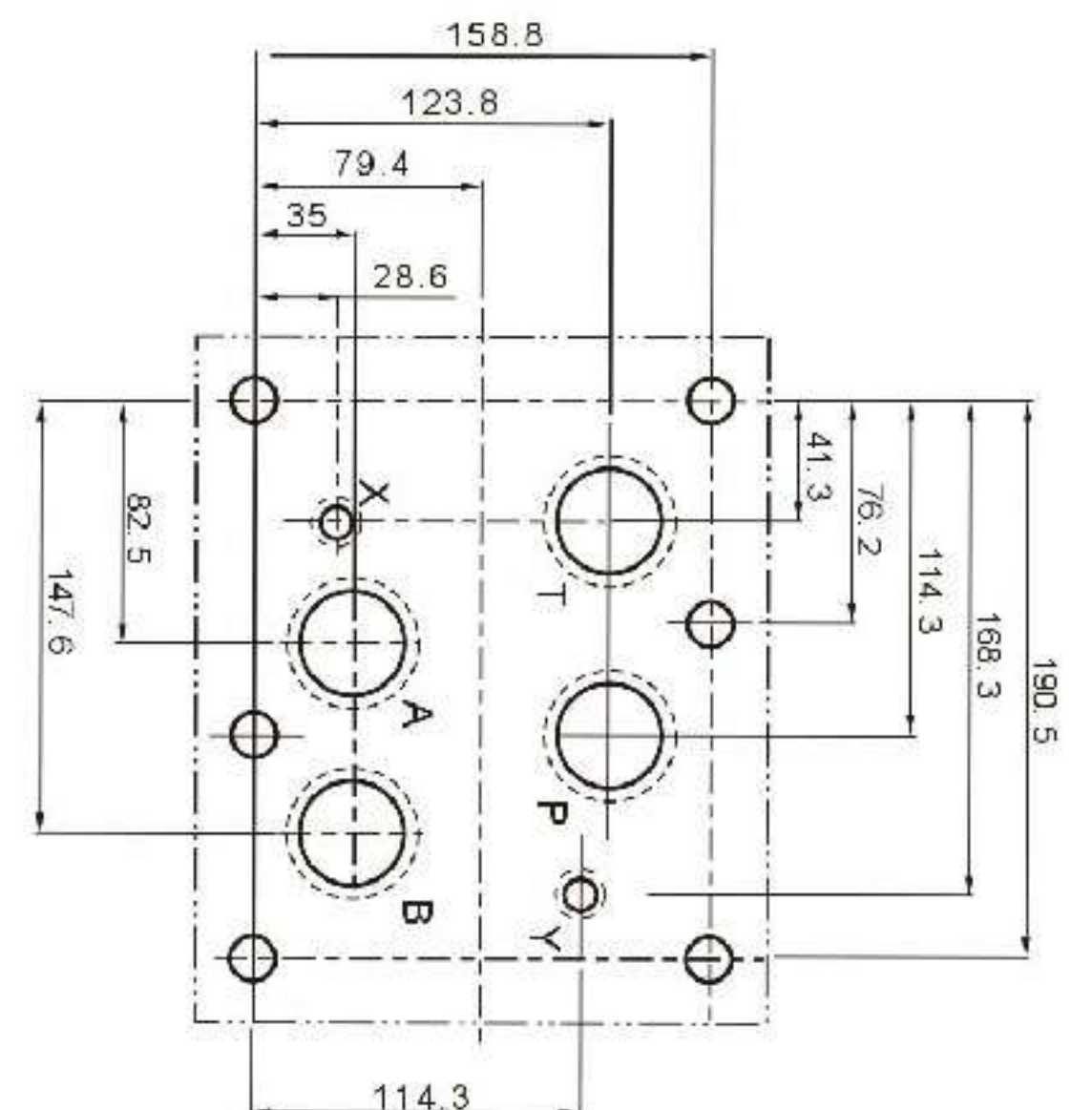
4WE16



4WE25



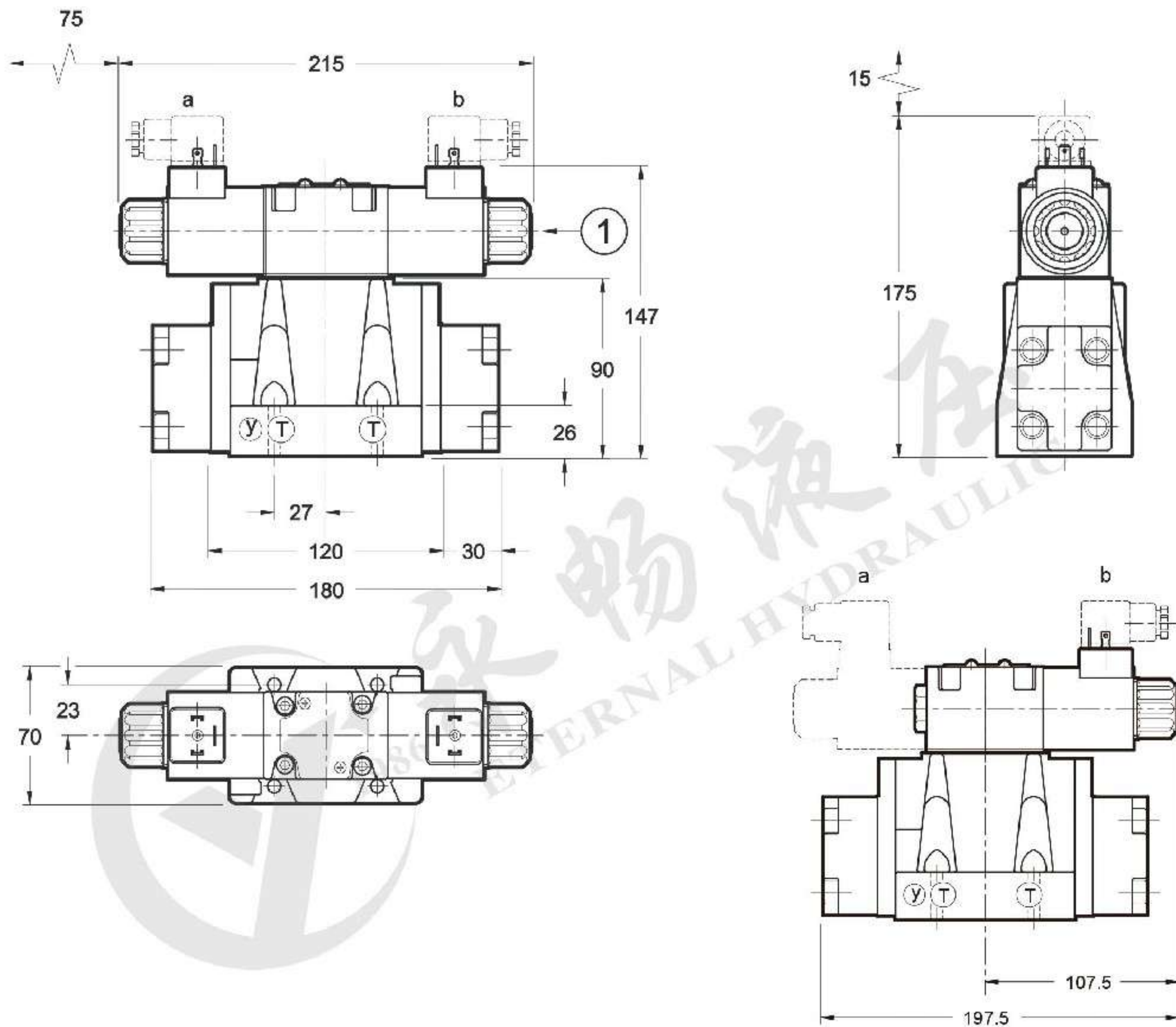
4WE32



Dimensions

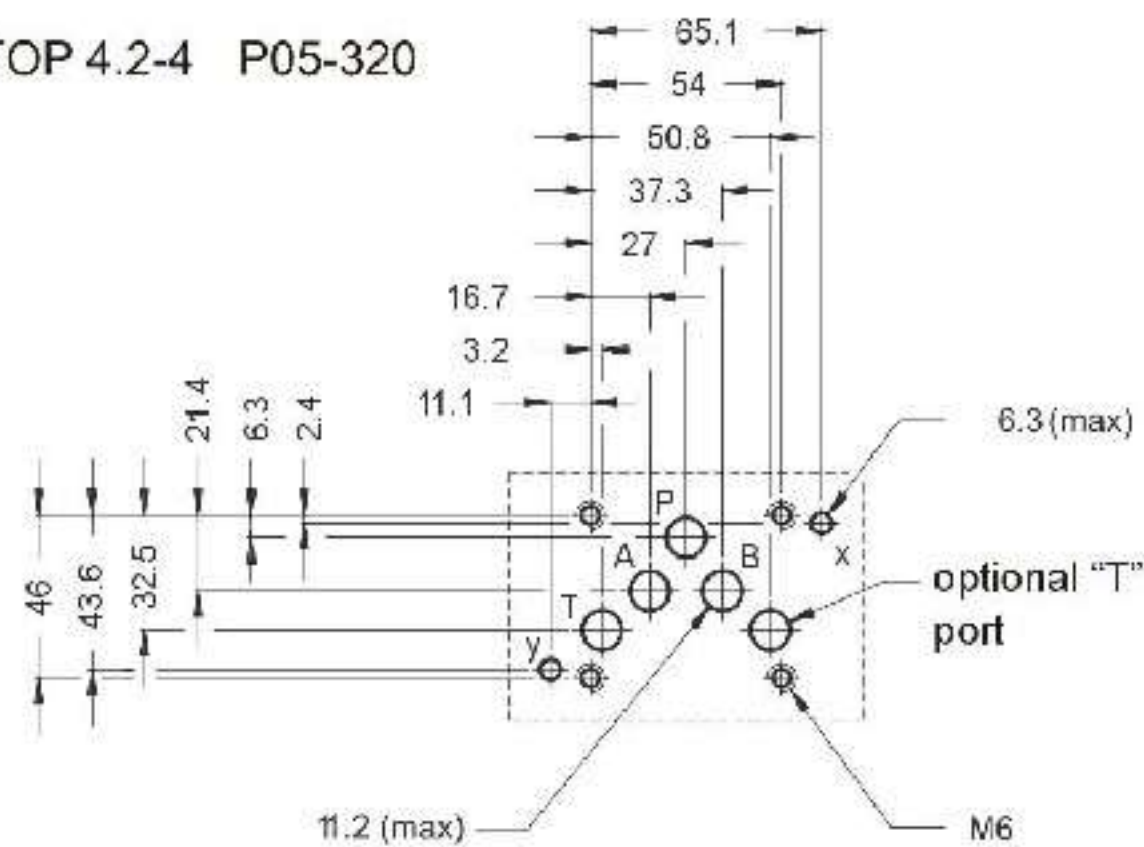
Unit: mm

4WEH10



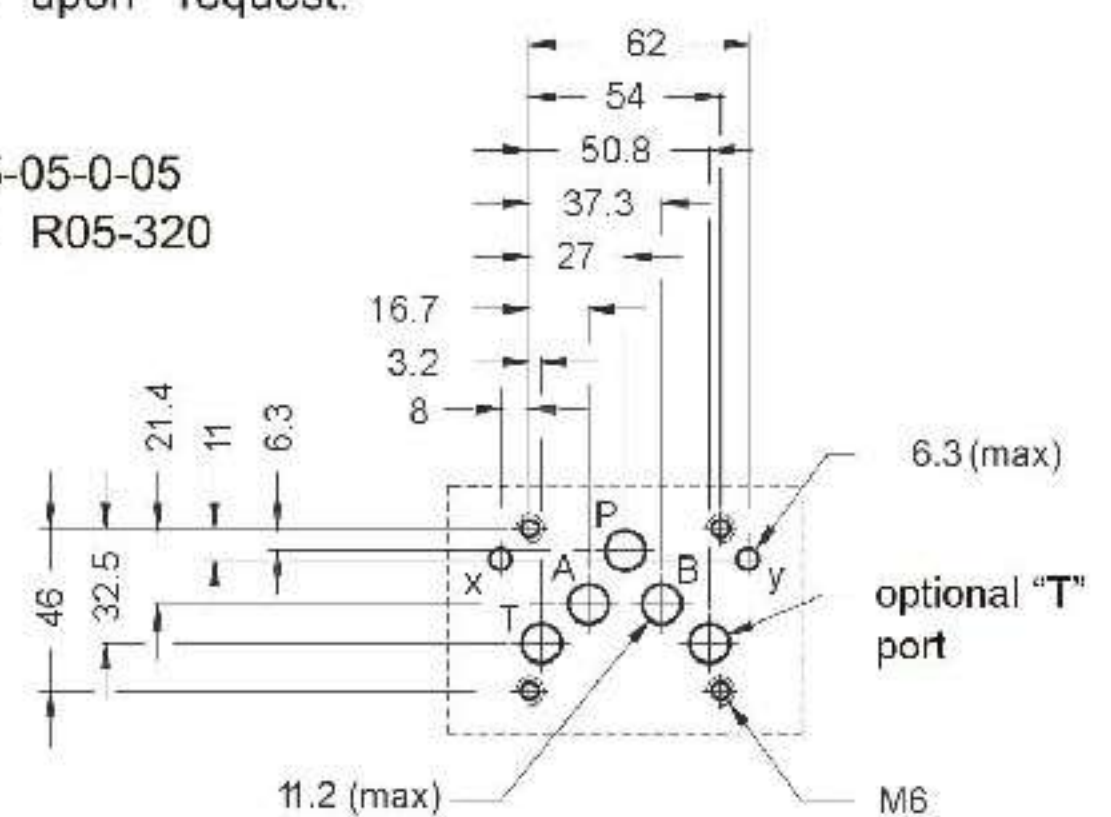
MOUNTING SURFACE (STANDARD)

CETOP 4.2-4 P05-320



Valves with ISO 4401-05-05-0-05 (CETOP R05) mounting interface are available upon request.

ISO 4401-05-05-0-05
CETOP 4.2-4 R05-320



DSG series directional control valves are solenoid operated directional spool valves, these valves are used to the start, stop and direct oil flow.



Technical specification

Model		DSG-02	DSG-02-*-M	DSG-03	DSG-03-*-M
Max. flow rate (l/min)		63	40	120	80
Working pressure (MPa)		A,B,P port 31.5	A,B,P port 21	A,B,P port 31.5	A,B,P port 21
		T port 16	T port 14	T port 16	T port 16
Weight (kgs)	Single solenoid	Plug-in connector: 1.5 Wire box: 1.8		Plug-in connector: 4.8 Wire box: 5.2	
	double solenoids	Plug-in connector: 2.2 Wire box: 2.5		Plug-in connector: 6.1 Wire box: 6.5	

Ordering details

DS	L	G	O2	3C2	A240	LW	LS	M
Sort	Low watt	Mounting type	Nominal size	symbols	Input voltage	Connector type	Additional function	Other series
4/3 and 4/2 Solenoid operated directional valve	No code: Standard L: Low watt	Subplate mounting	O2: NG6 Cetop3 O3: NG10 Cetop5	See symbol list	See voltage list	LW: Wire box with light DL: Plug-in connector with light	No code: Standard LS: With the function of low impact	No code: Standard M: Shock absorption

Symbol list

Voltage list

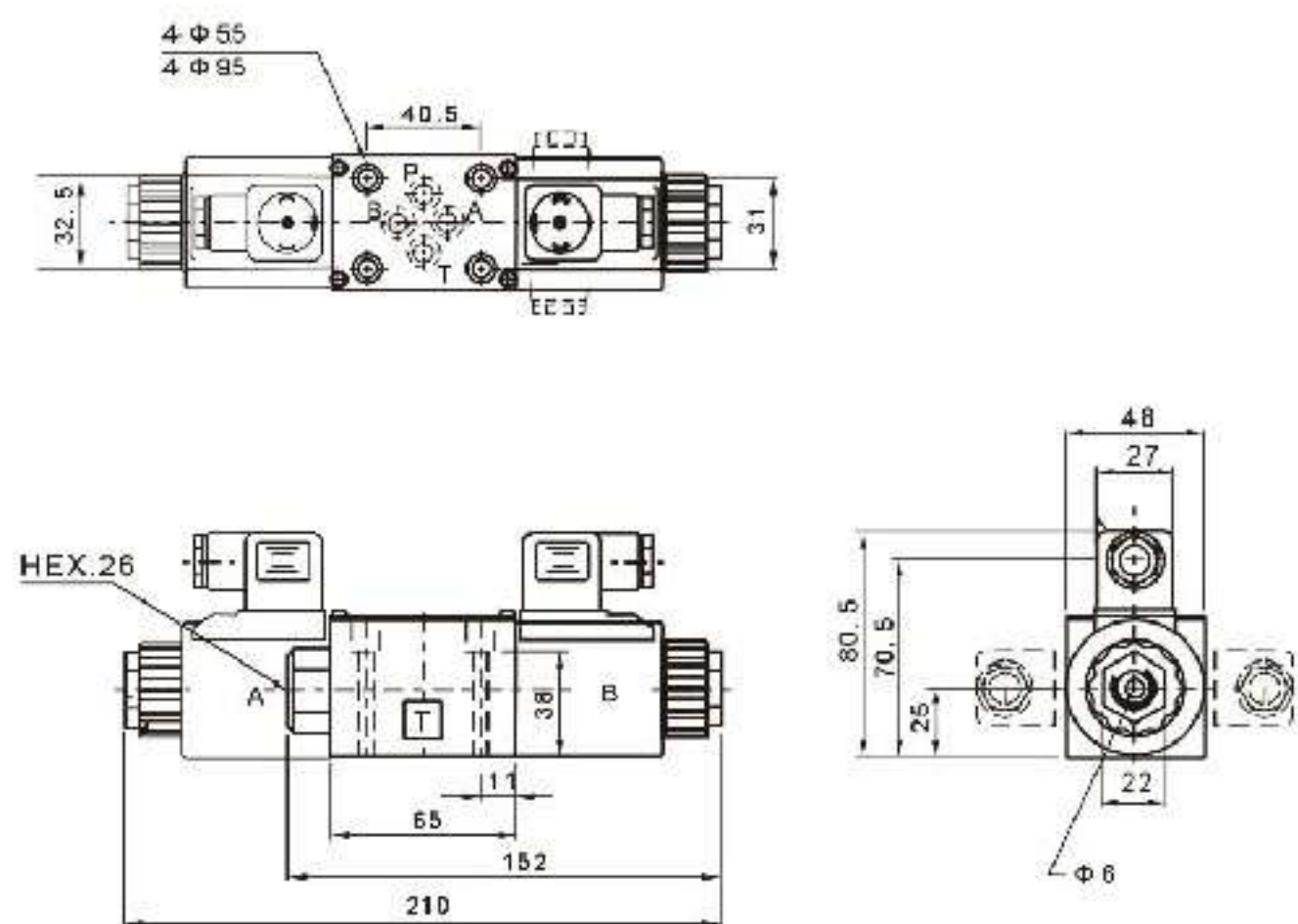
A240	AC240/60HZ, AC220/50HZ
A220	AC220/60HZ, AC220/50HZ
A120	AC120/60HZ, AC110/50HZ
A110	AC110/60HZ, AC100/50HZ
R240	AC240/60HZ, AC220/50HZ
R220	AC220/60HZ, AC220/50HZ
R120	AC120/60HZ, AC110/50HZ
R110	AC110/60HZ, AC100/50HZ
D24	DC24
D12	DC12



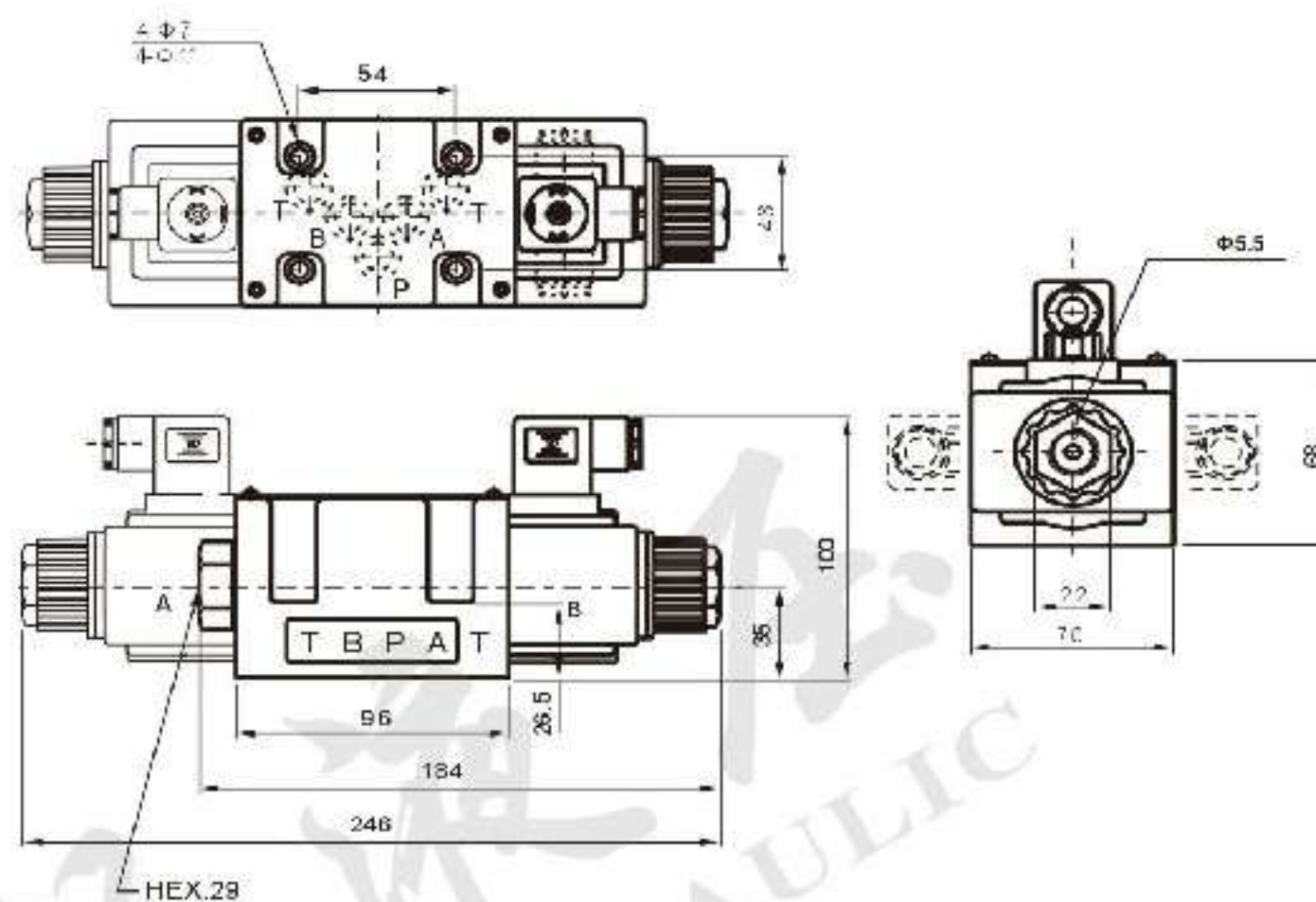
Dimensions

Unit: mm

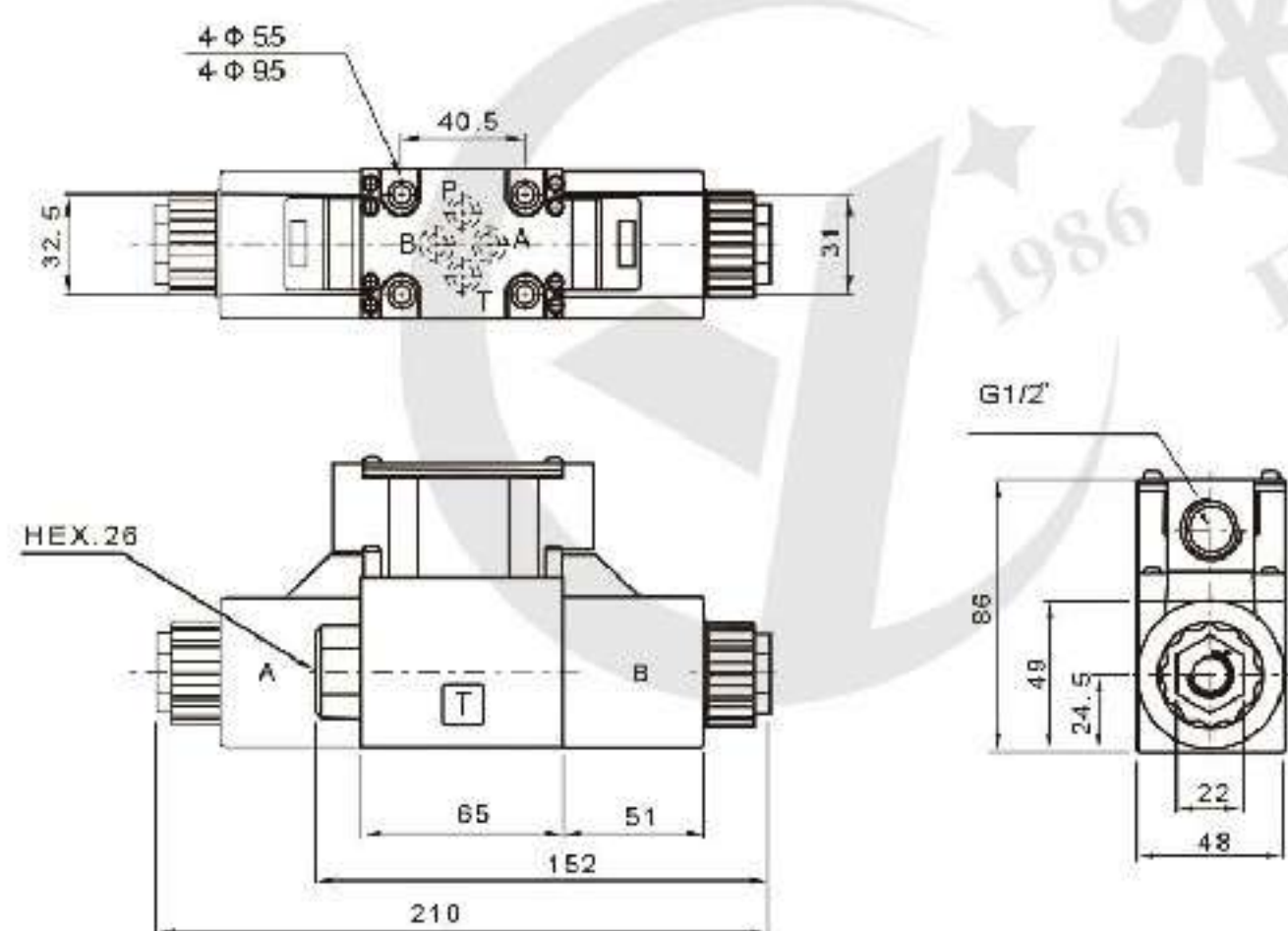
DSG-02- *-DL



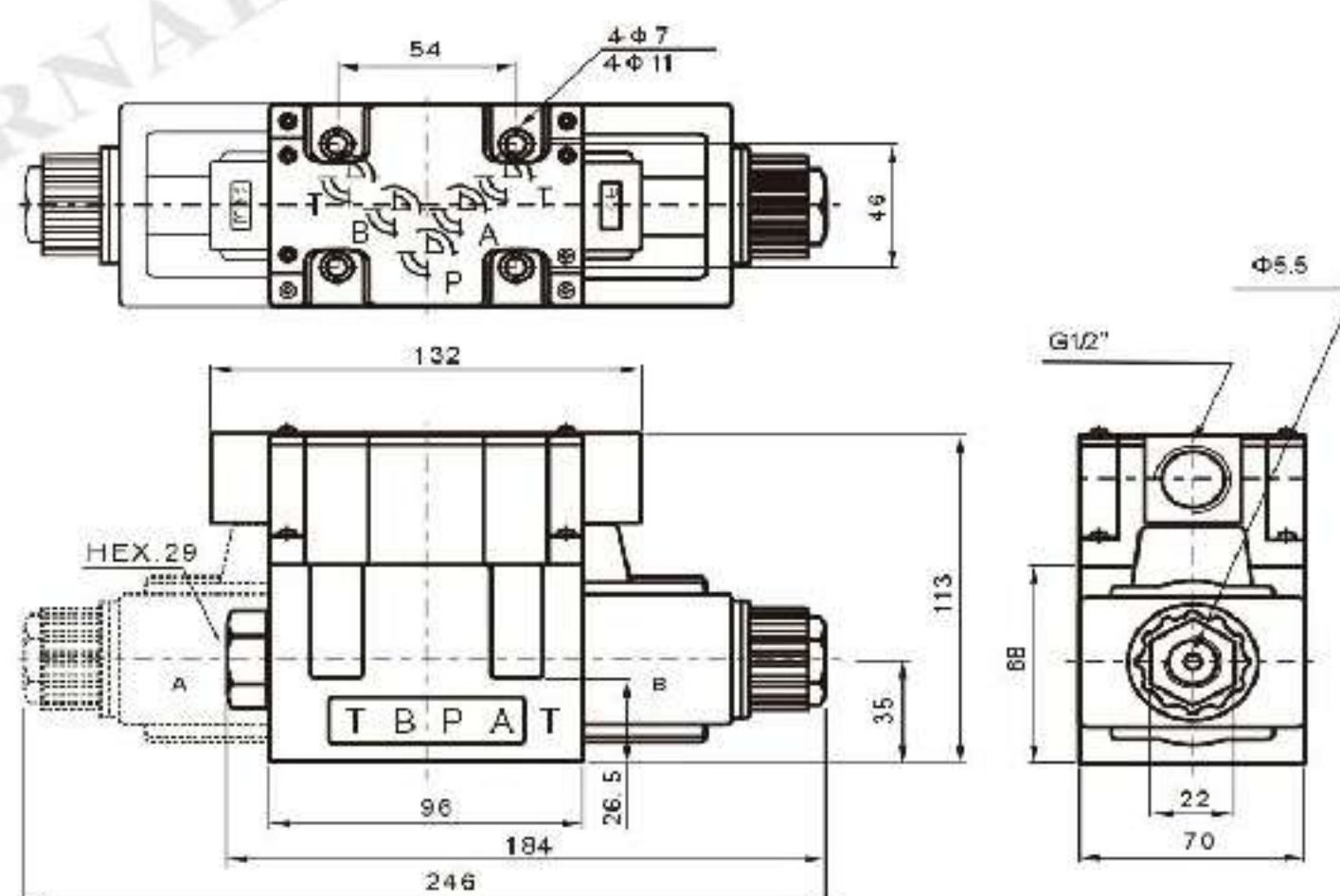
DSG-03- *-DL



DSG-02- *-LW

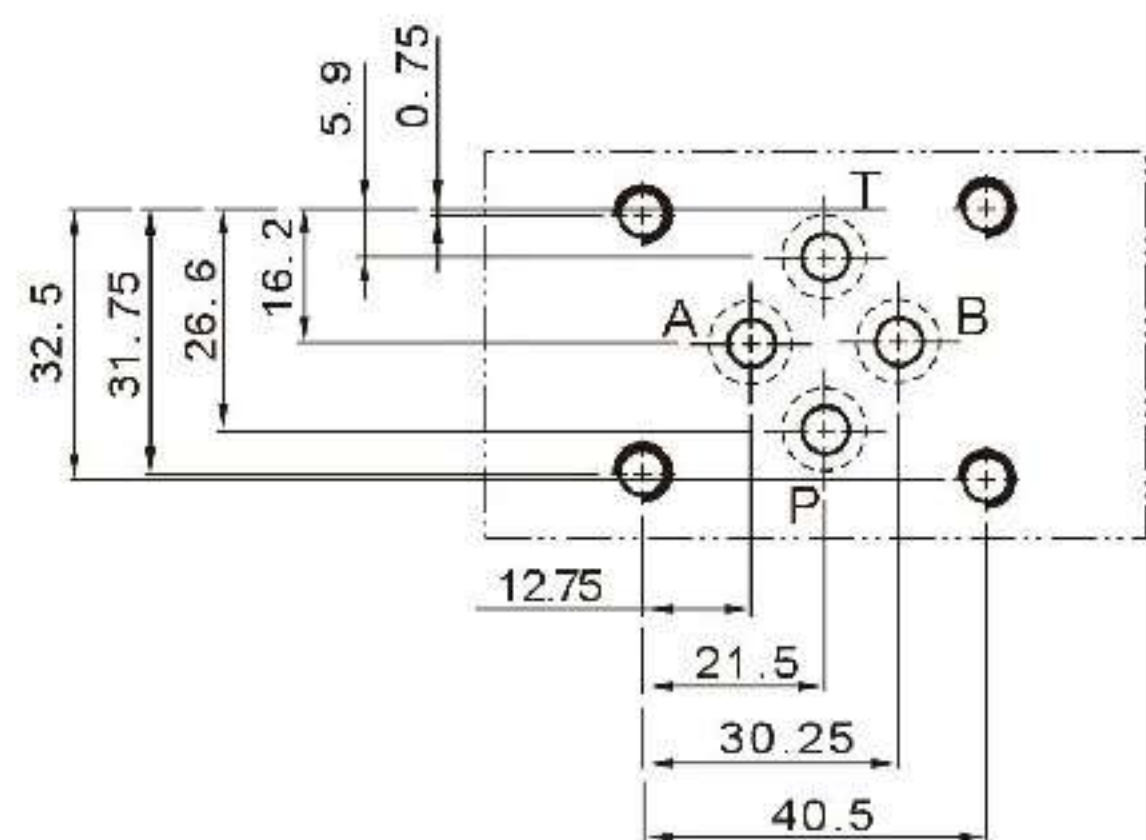


DSG-03- *-LW

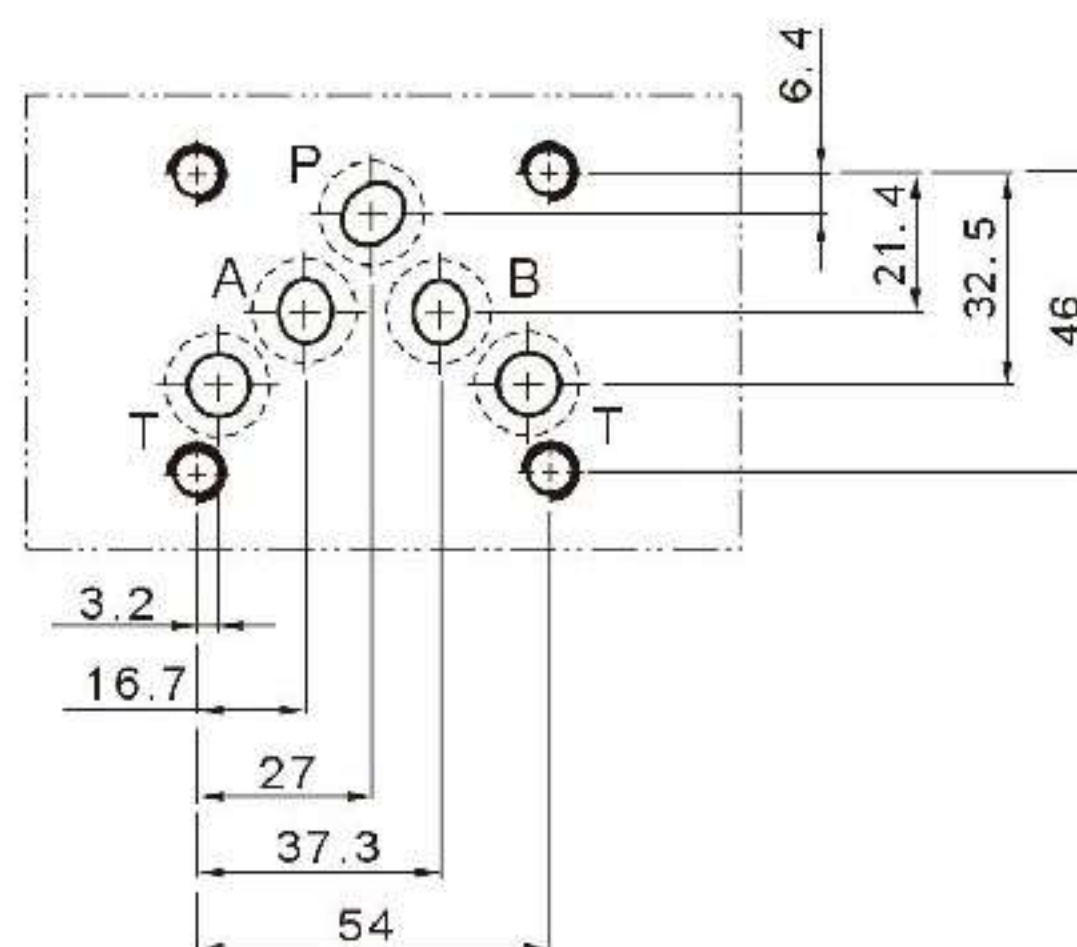


Mounting dimensions

DSG-02



DSG-03



DSHG series solenoid pilot operated directional valves are solenoid pilot operated spool type valves. This series are used to control the start, stop and direction of flow.

DHG series hydraulic operated directional valves can be used to change the direction of hydraulic oil by moving the main spool when the valve receives a hydraulic signal from the pilot hydraulic oil.



Technical specification

Model		DSHG-04	DSHG-06	DSHG-10
Max. flow rate (l/min)		300	500	1100
Working pressure (MPa)	A,B,P port	31.5		
	T port	External drain	25	
		Internal drain	16(DC) 10(AC)	
Y port	External control	16(DC) 10(AC)		
Max. operating pressure (MPa)		25		
Weight (kgs)	Pilot valve with single solenoid	Plug-in connector: 1.5 Wire box: 1.8		
	Pilot valve with double solenoids	Plug-in connector: 2.2 Wire box: 2.5		
	DHG valve	7.3	16.5	39.5

Ordering details

DSH	G	06	3C2	ET	A240	LW	AB	K
Sort	Mounting type	Nominal size	symbols	Oil control	Input voltage	Connector type	Stroke adjustment	Additional knob
DSH: Solenoid pilot operated directional valve DH: Hydraulic operated directional valve	Subplate mounting	04:NG16 Cetop7 06:NG25 Cetop8 10:NG32 Cetop10	See symbols list	See oil control list	See voltage list	LW: Wire box with light DL: Plug-in connector with light	No code: Standard AB: Both sides A: A side B: B side	No code: Omit K: With knob

Voltage list

A240	AC240/60HZ, AC220/50HZ
A220	AC220/60HZ, AC220/50HZ
A120	AC120/60HZ, AC110/50HZ
A110	AC110/60HZ, AC100/50HZ
R240	AC240/60HZ, AC220/50HZ
R220	AC220/60HZ, AC220/50HZ
R120	AC120/60HZ, AC110/50HZ
R110	AC110/60HZ, AC100/50HZ
D24	DC24
D12	DC12

Oil control list

No code	Internal control internal drain
E	External control internal drain
T	Internal control external drain
ET	External control external drain

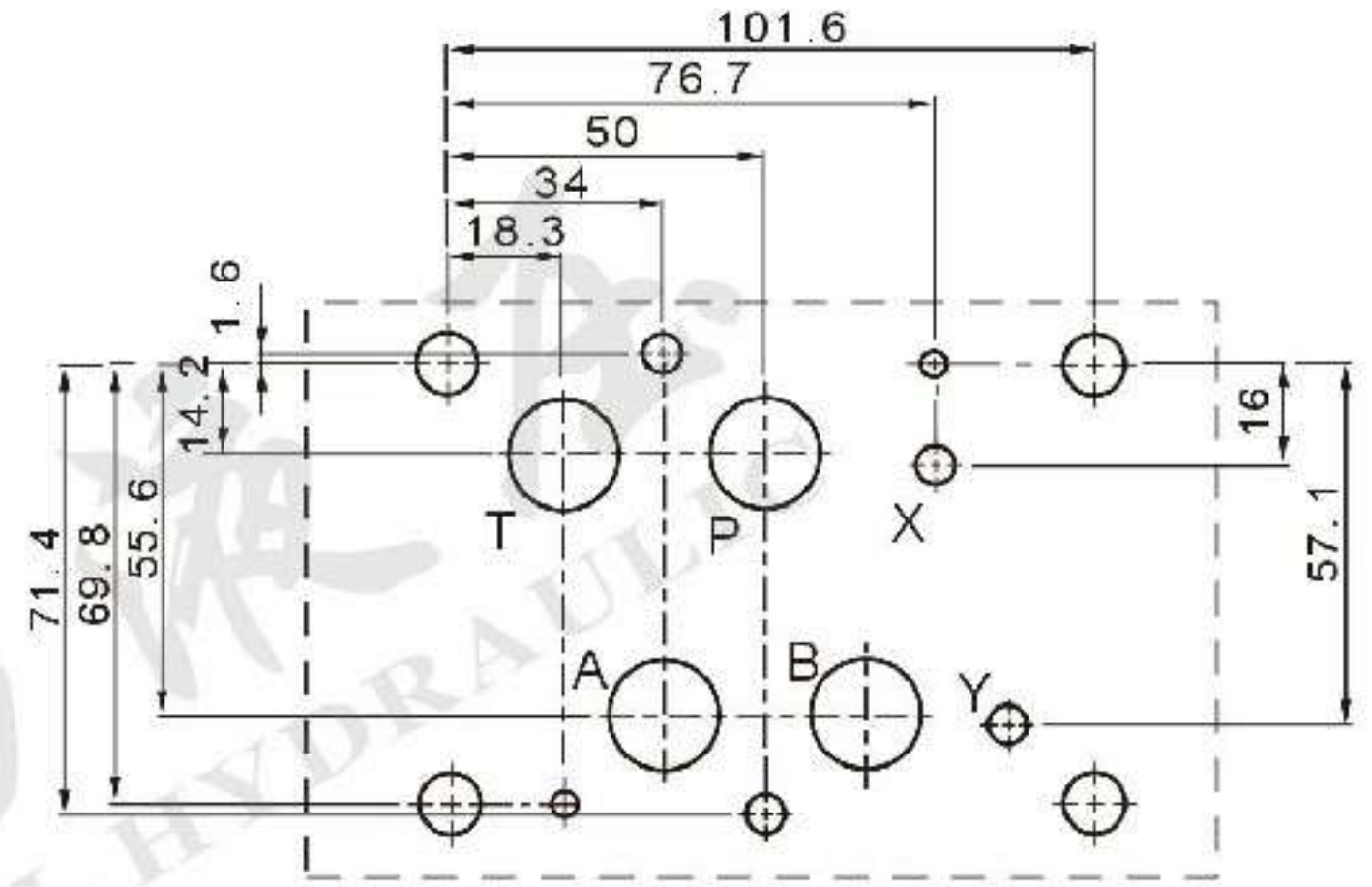


Symbols list

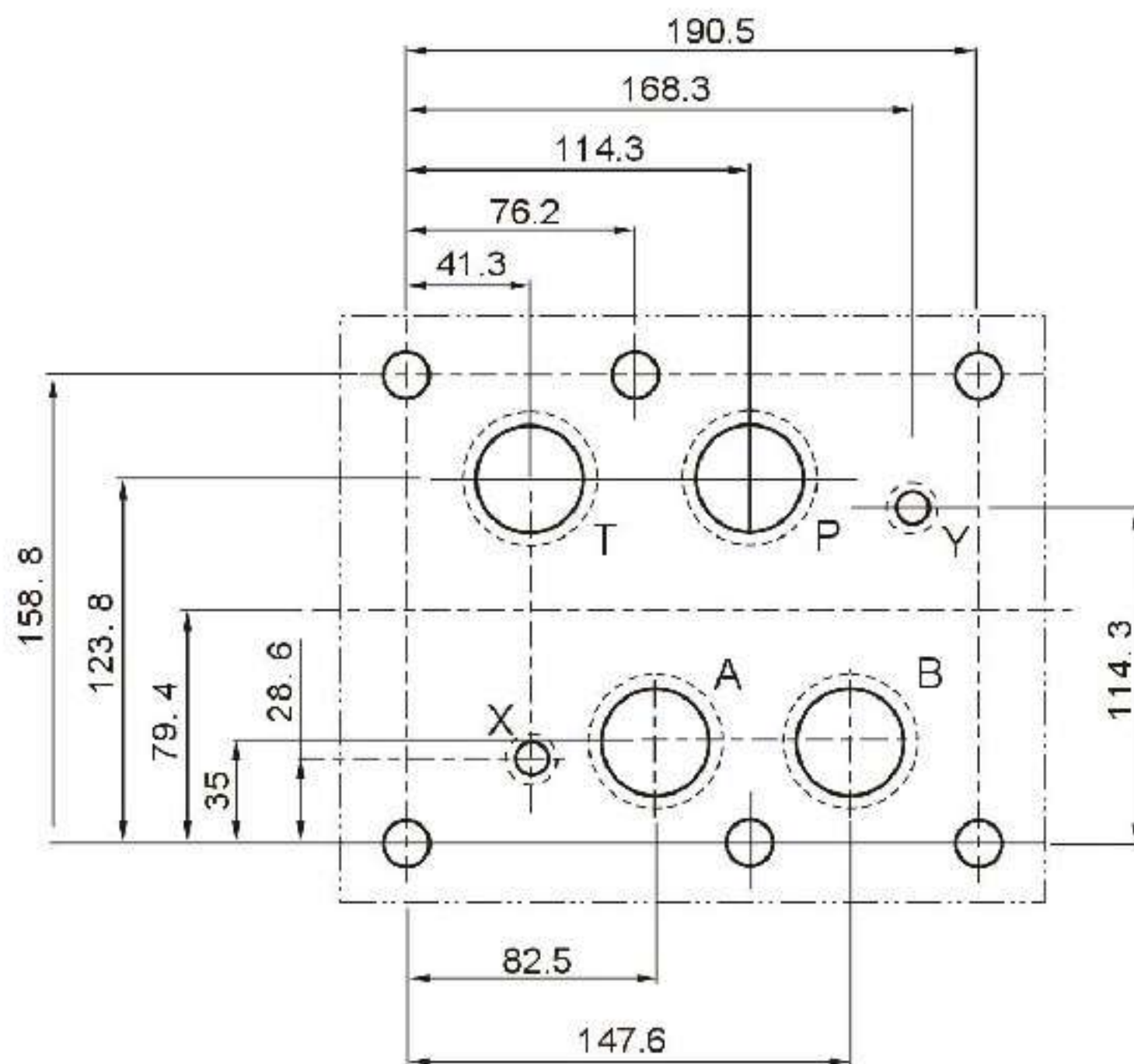
Mounting dimensions

Unit: mm

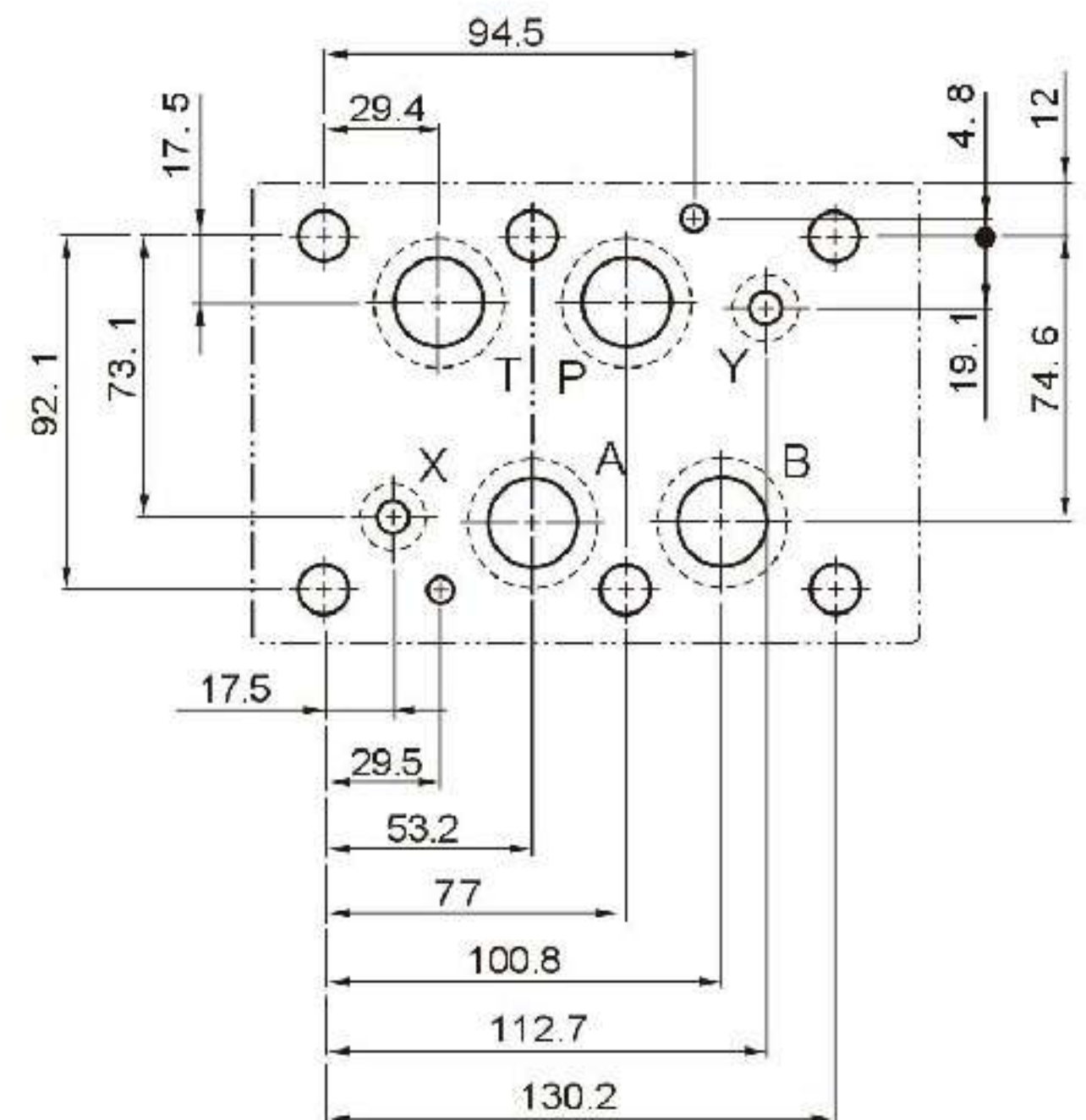
DSHG-04



DSHG-10



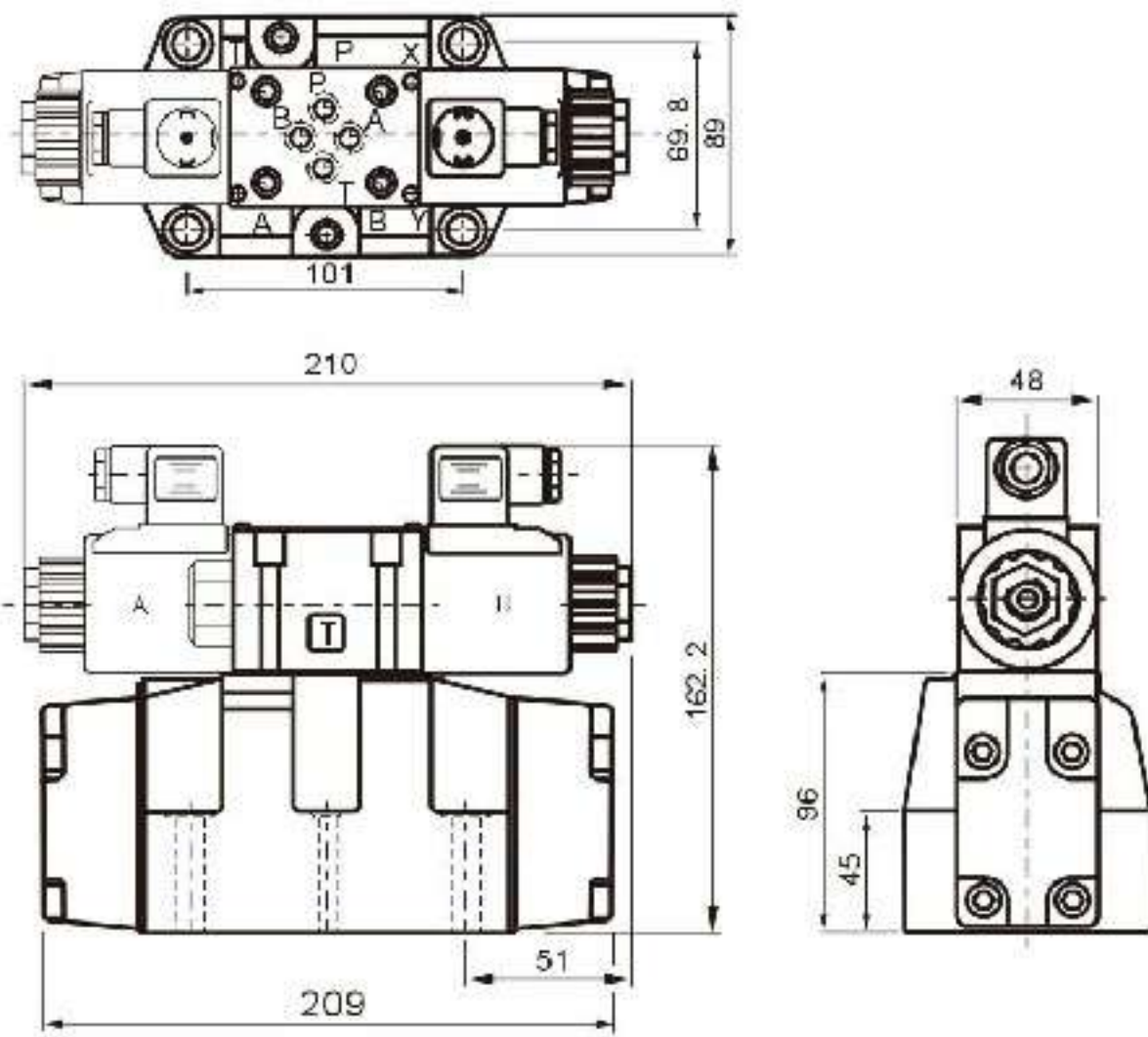
DSHG-06



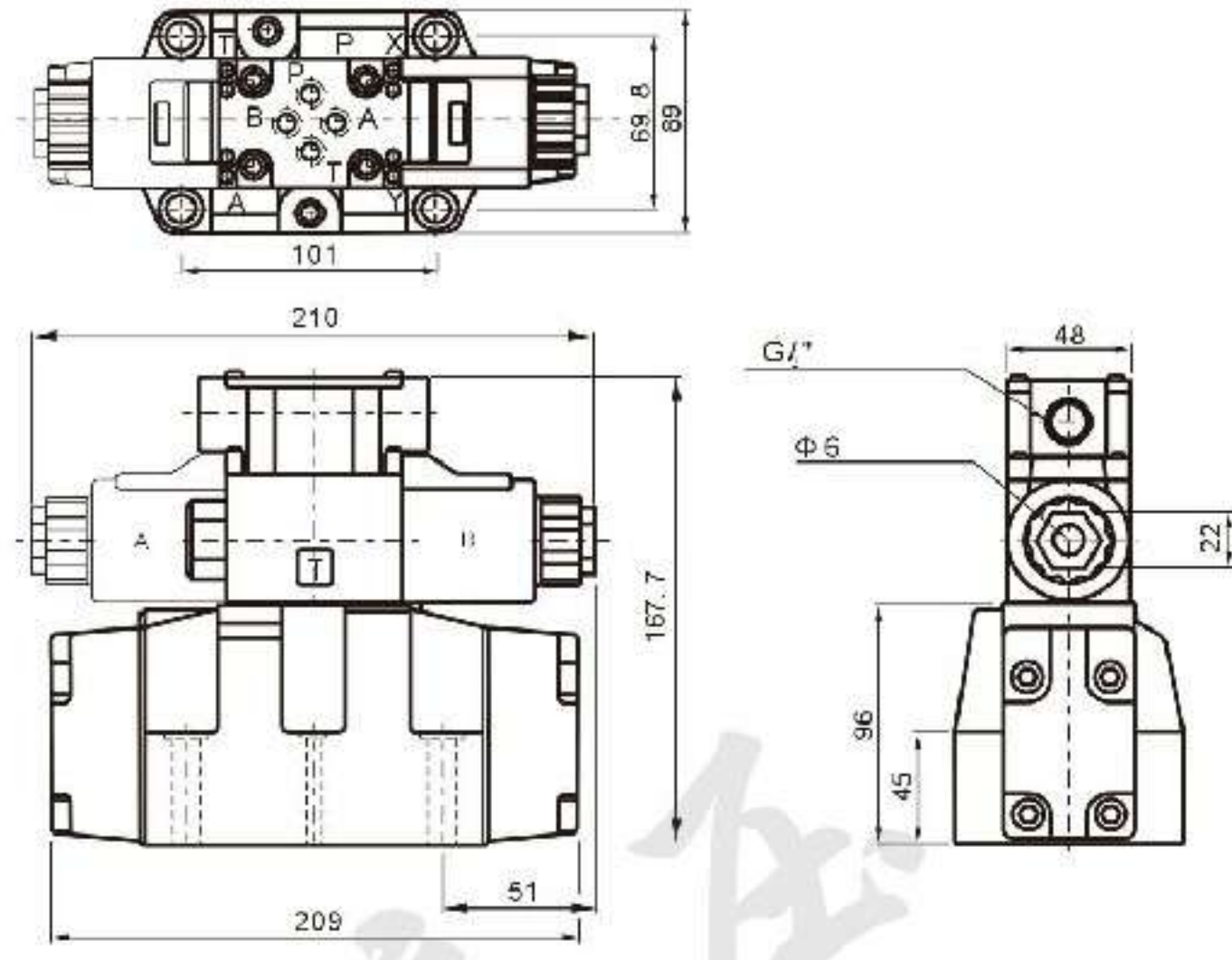
Dimensions

Unit: mm

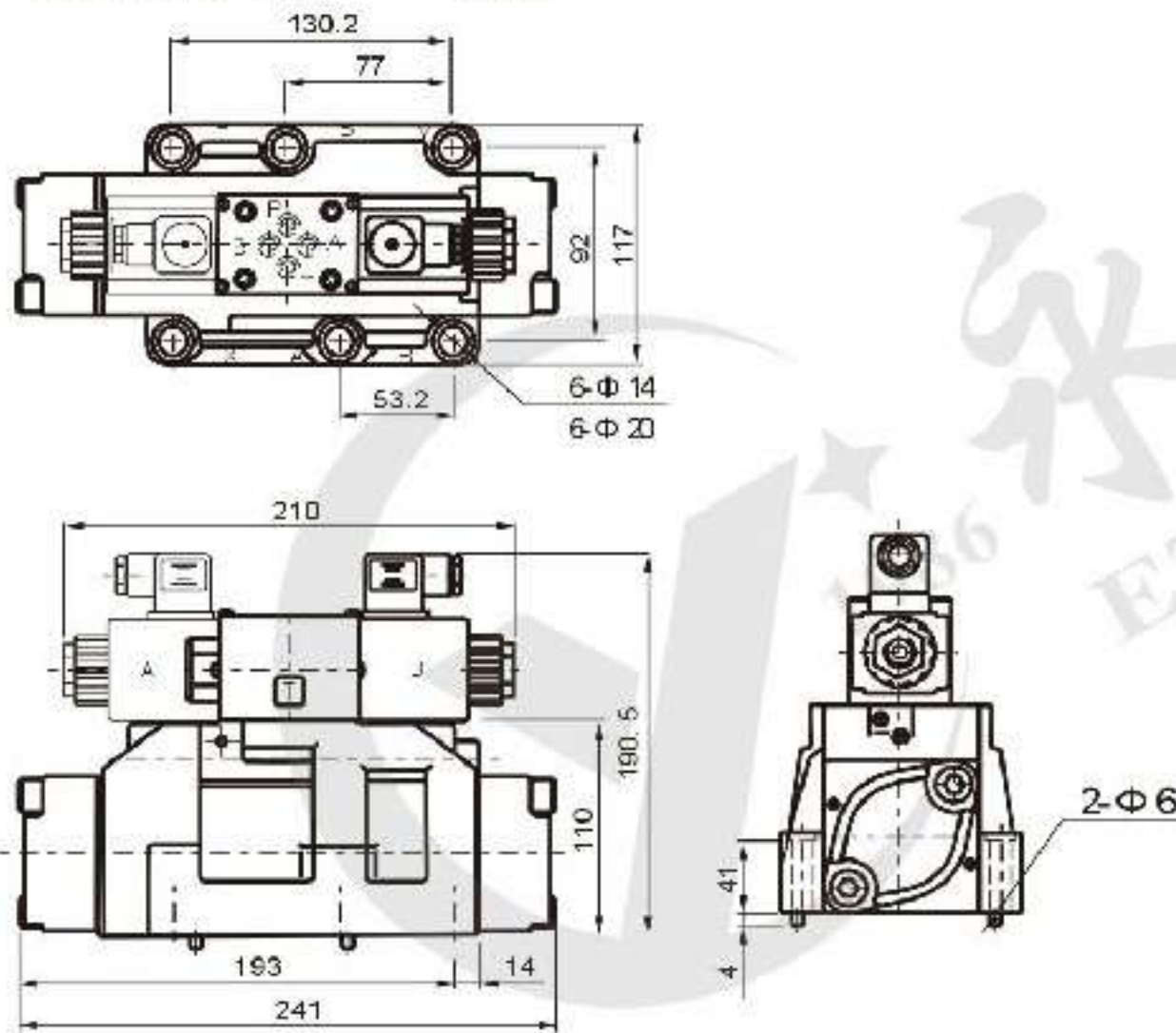
DSHG-04- *-DL



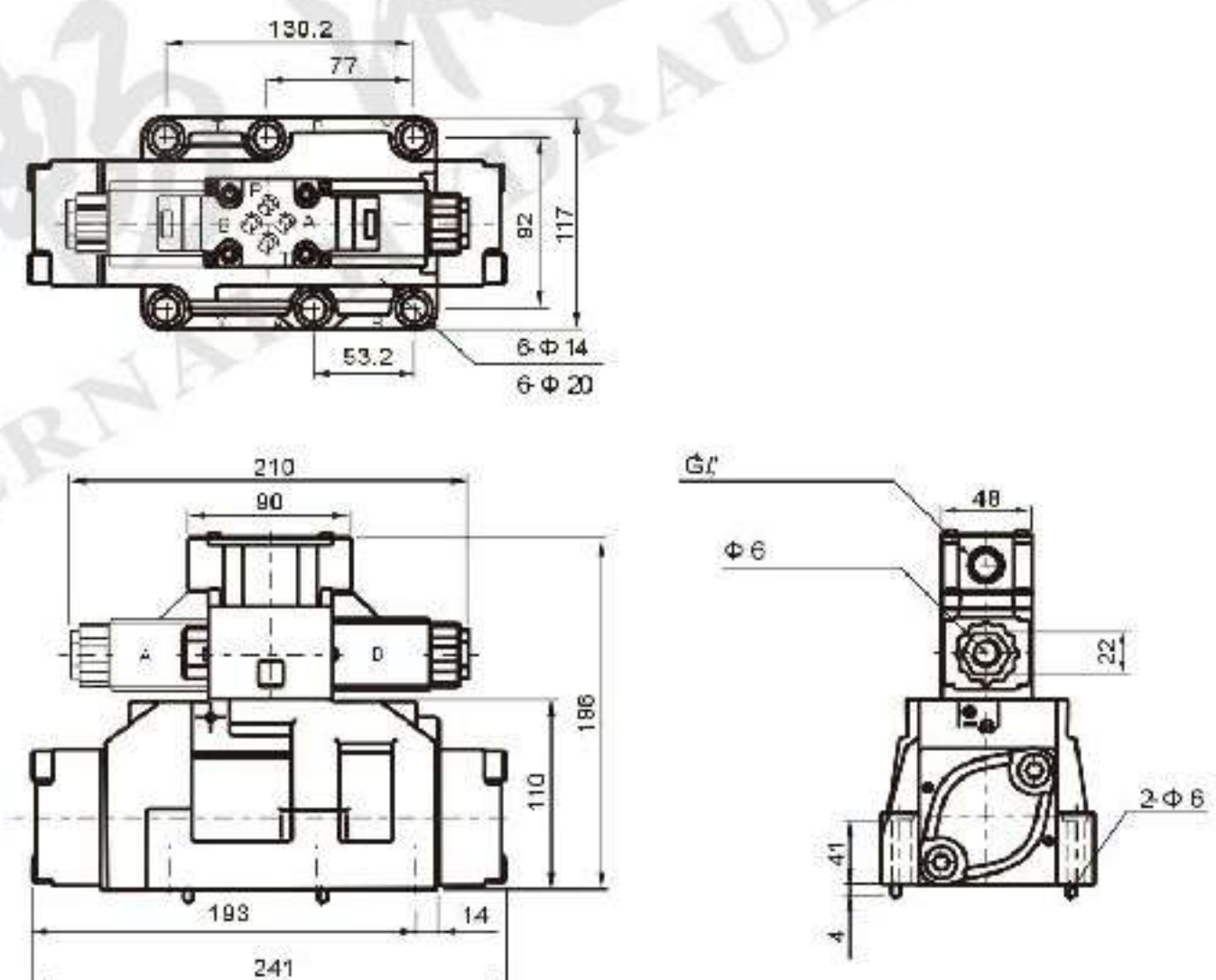
DSHG-04- *-LW



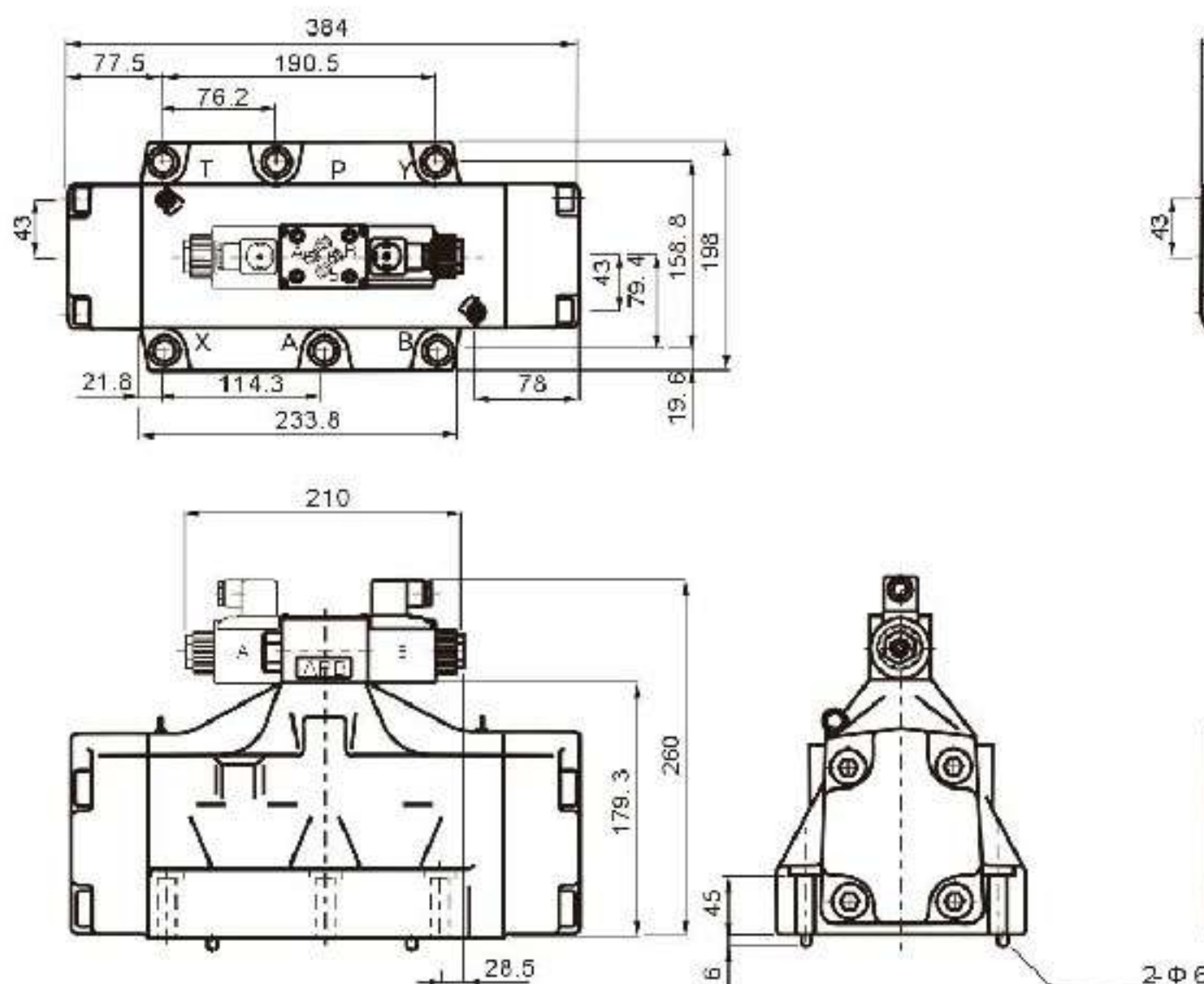
DSHG-06- *-DL



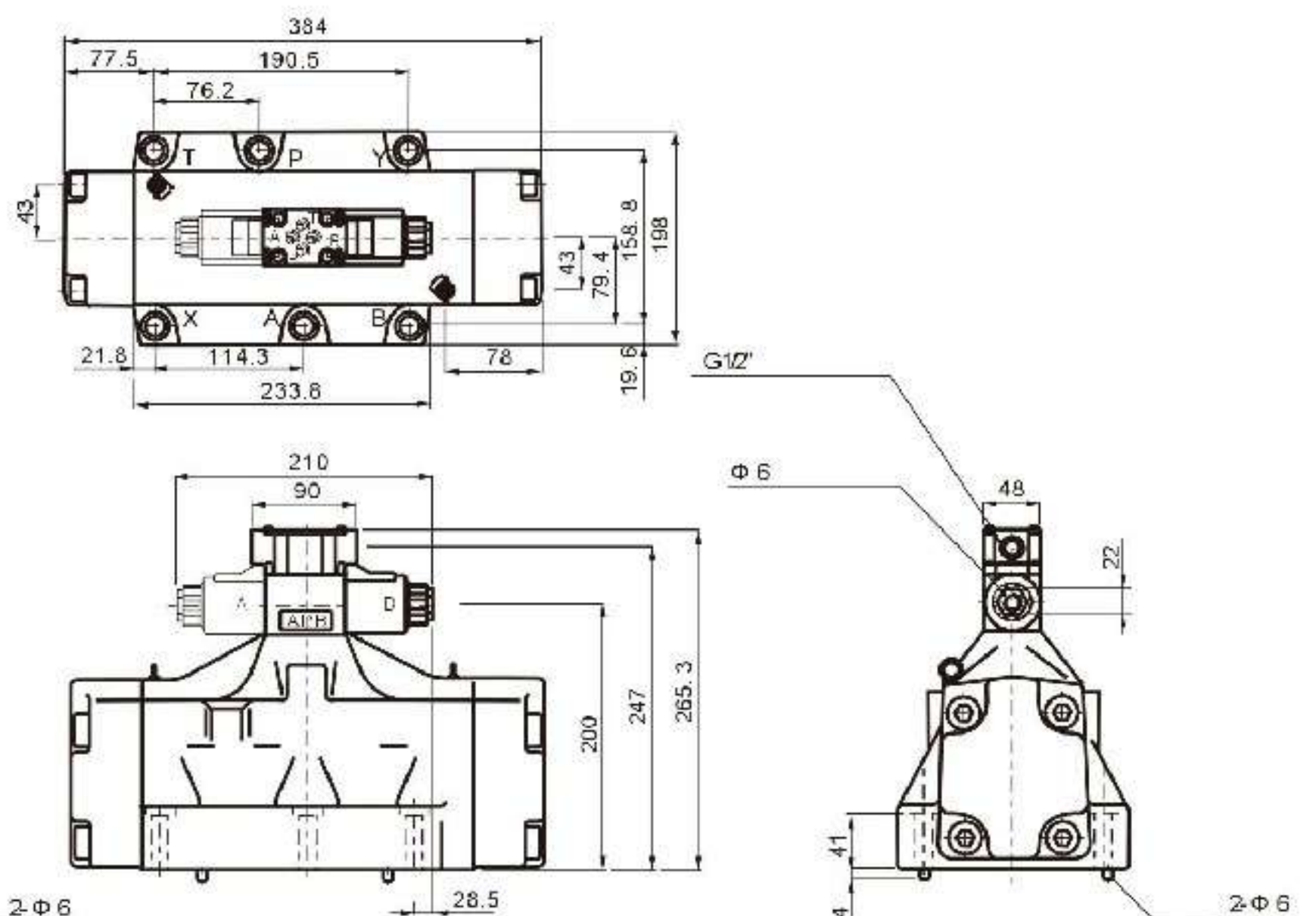
DSHG-06- *-LW



DSHG-10- *-DL



DSHG-10- *-LW



YJ4WE6 series directional control valves are solenoid operated directional spool valves with emergency handle, which can control the start, stop and direct oil flow even in the case of power failure.



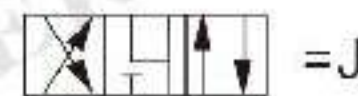
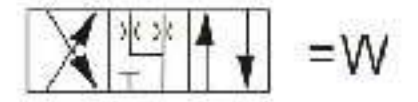
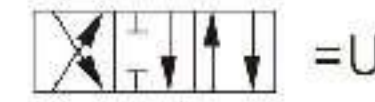
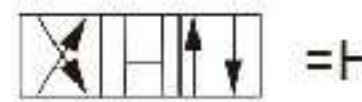
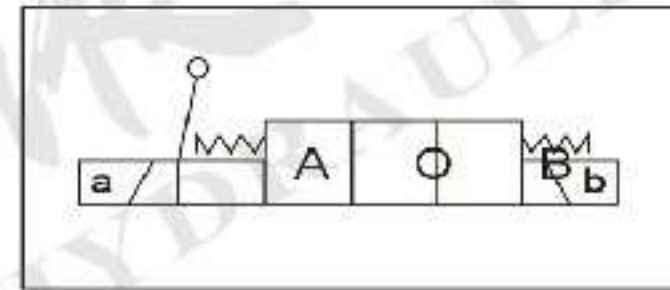
Technical specification

YJ4WE	6	E	G24	Z4L
Sort	Nominal size	symbols	Input voltage	Connector type
Solenoid operated directional valve with emergency handle	6:NG6 Cetop3	See symbols list	G12:DC12 G24:DC24 W220:AC220 W110:AC110 W220R:RAC220 W110R:RAC110	Z4: Standart plug-in connector Z4L: Plug-in connector with light

Ordering details

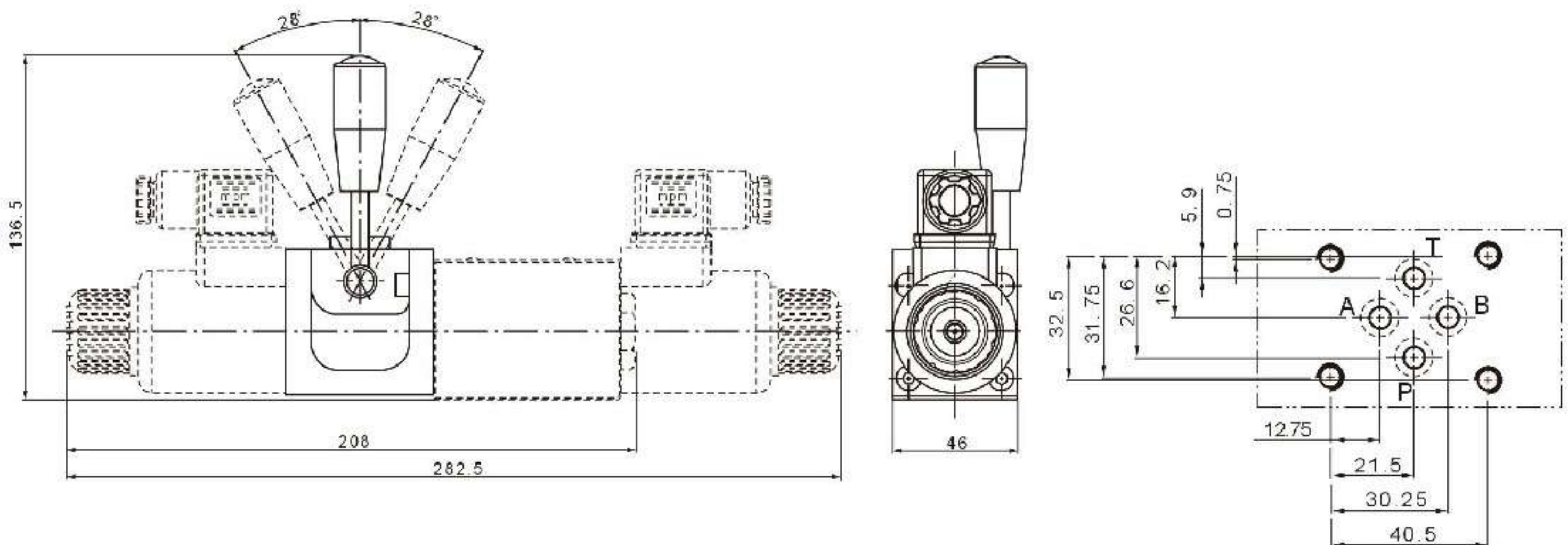
Model	YJ4WE6
Max.flow rate (l/min)	80
Working pressure (MPa)	A,B,P port 31.5
	T port 16
Weight (kgs)	3

Symbol list



Dimensions

Unit: mm



DM series manually operated directional valves are direct type directional valves, It can control the start, stop & direction of fluid flow. This series with detent or return spring are available.



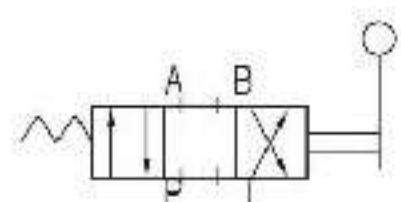
Ordering details

DM	G	02	3C2	W	10
Sort	Mounting type	Nominal size	symbols	Spool return	Design code
Manually operated directional valves	G: Subplate mounting T: Thread mounting	02: NG6 Cetop3 03: NG10 Cetop5 04: NG16 Cetop7 06: NG25 Cetop8 10: NG32 Cetop10	See symbols list	W: Spring return O: With detent	10

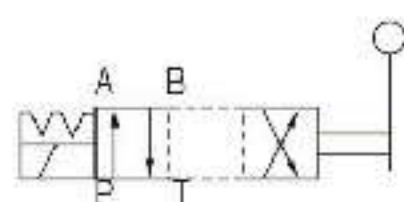
Technical specification

Model	DMG-02	DMG-03	DMG-04	DMG-06	DMG-10	DMT-03
Max. flow rate (l/min)	60	100	300	500	1100	100
Working pressure (MPa)	A,B,P port		31.5			
	T port		16			
Max. operating pressure (MPa)		21				
Weight(kgs)	1.5	4	7.5	11.8	49.5	4

Symbol list



Spring return



With detent

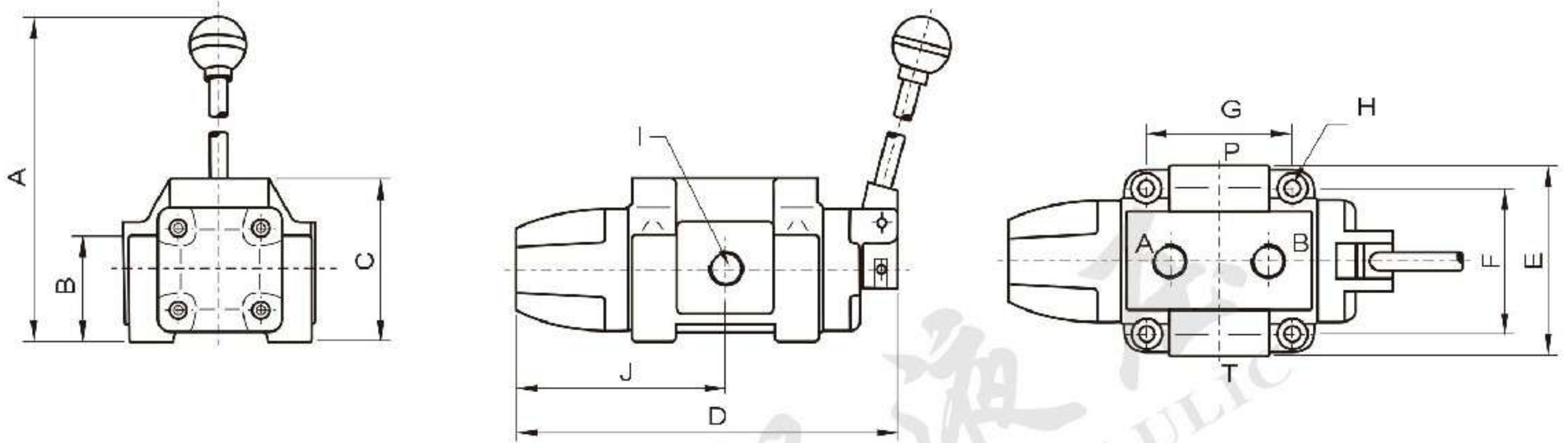
Code	Three positions	Code	Two positions
3C2		2B2	
3C3		2B3	
3C4		2B20	
3C40		Code	Two positions
3C5		2B2S	
3C6		2B3S	
3C60		2B20S	



Dimensions

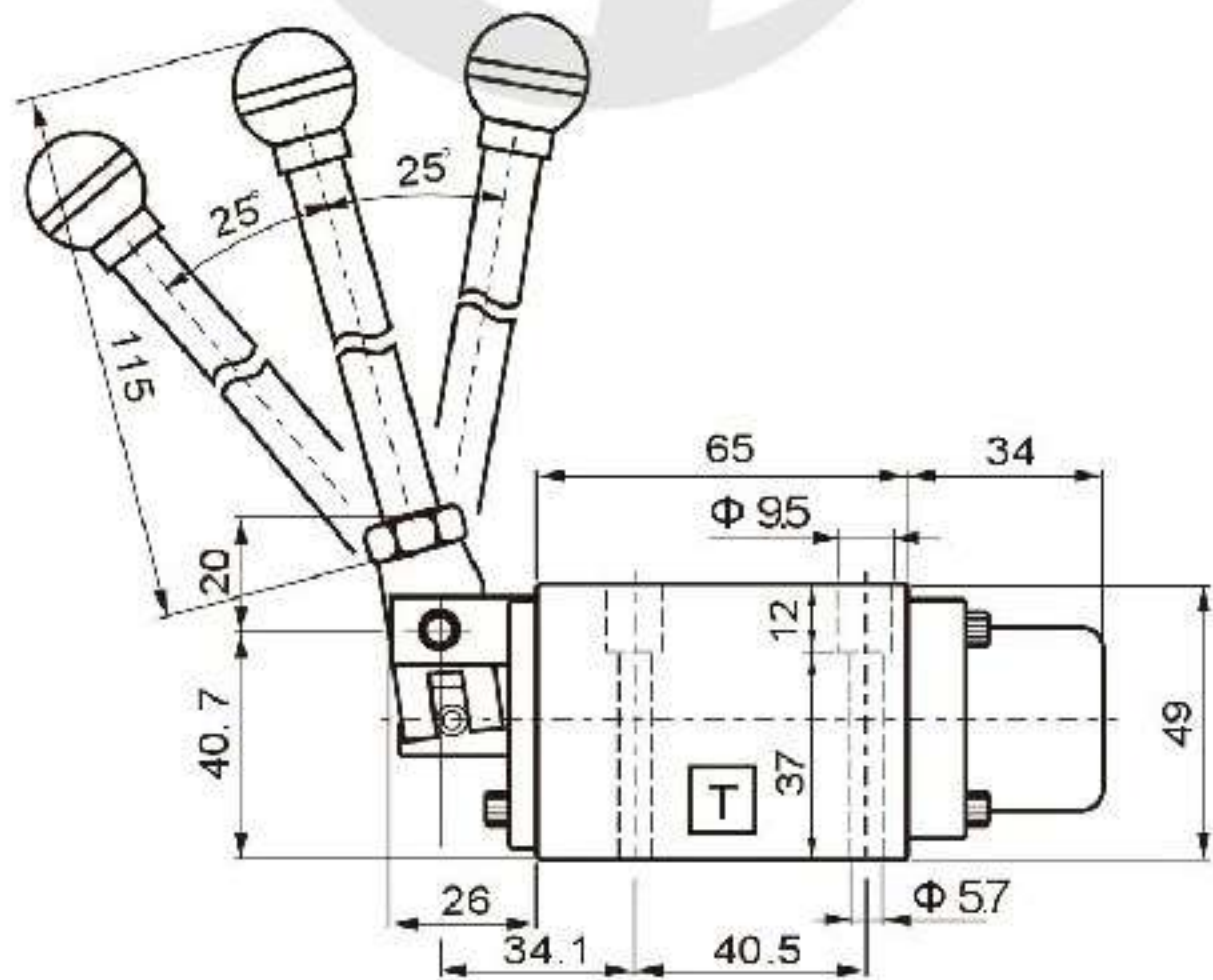
Unit: mm

DMT-03

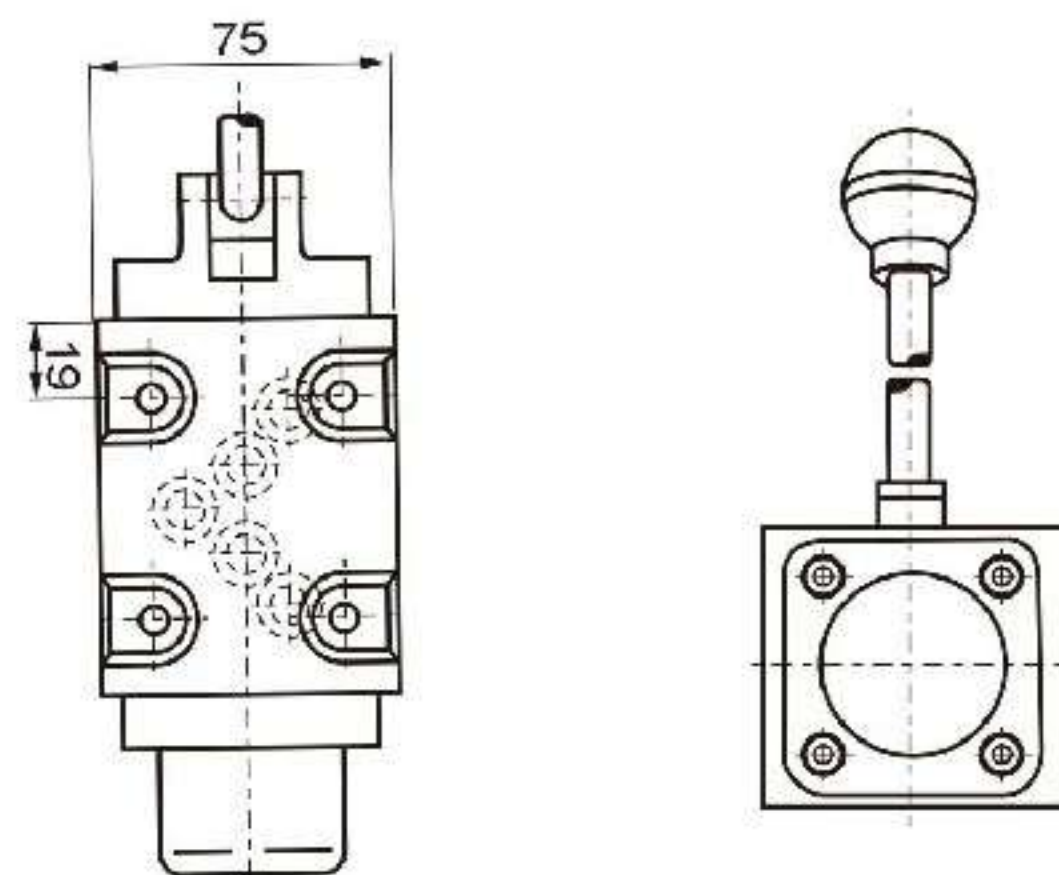
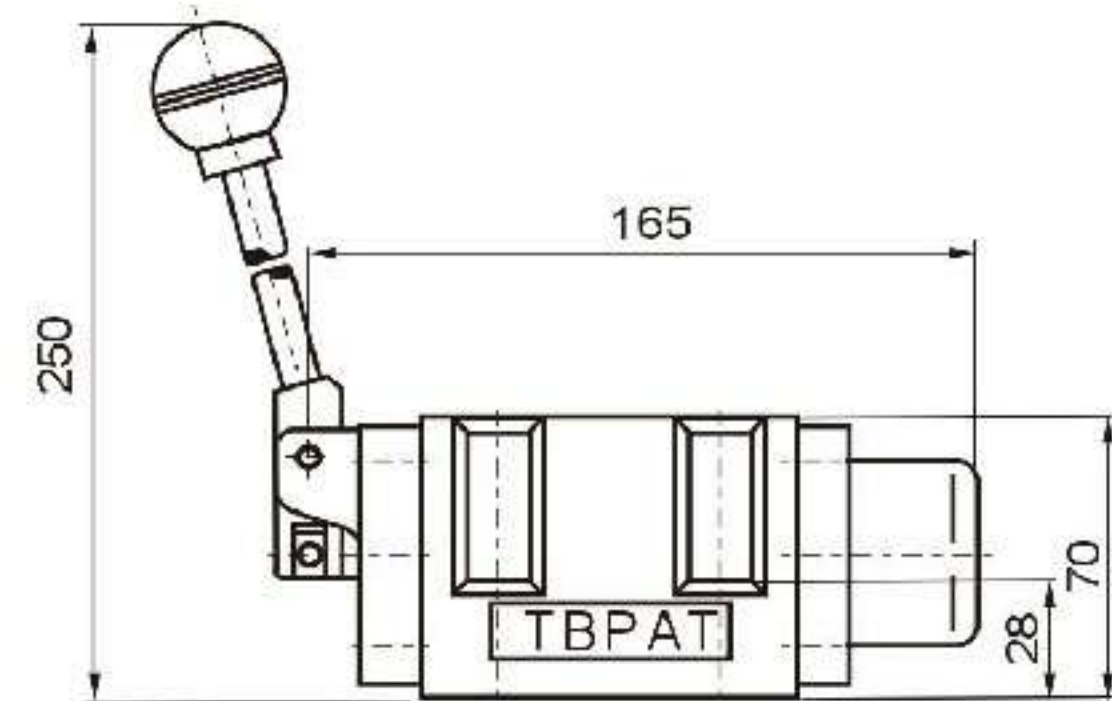


Code	A	B	C	D	E	F	G	H	I	J
DMT-03	250	75	87	178	78	50	56	7	PT3/8"	96

DMG-02



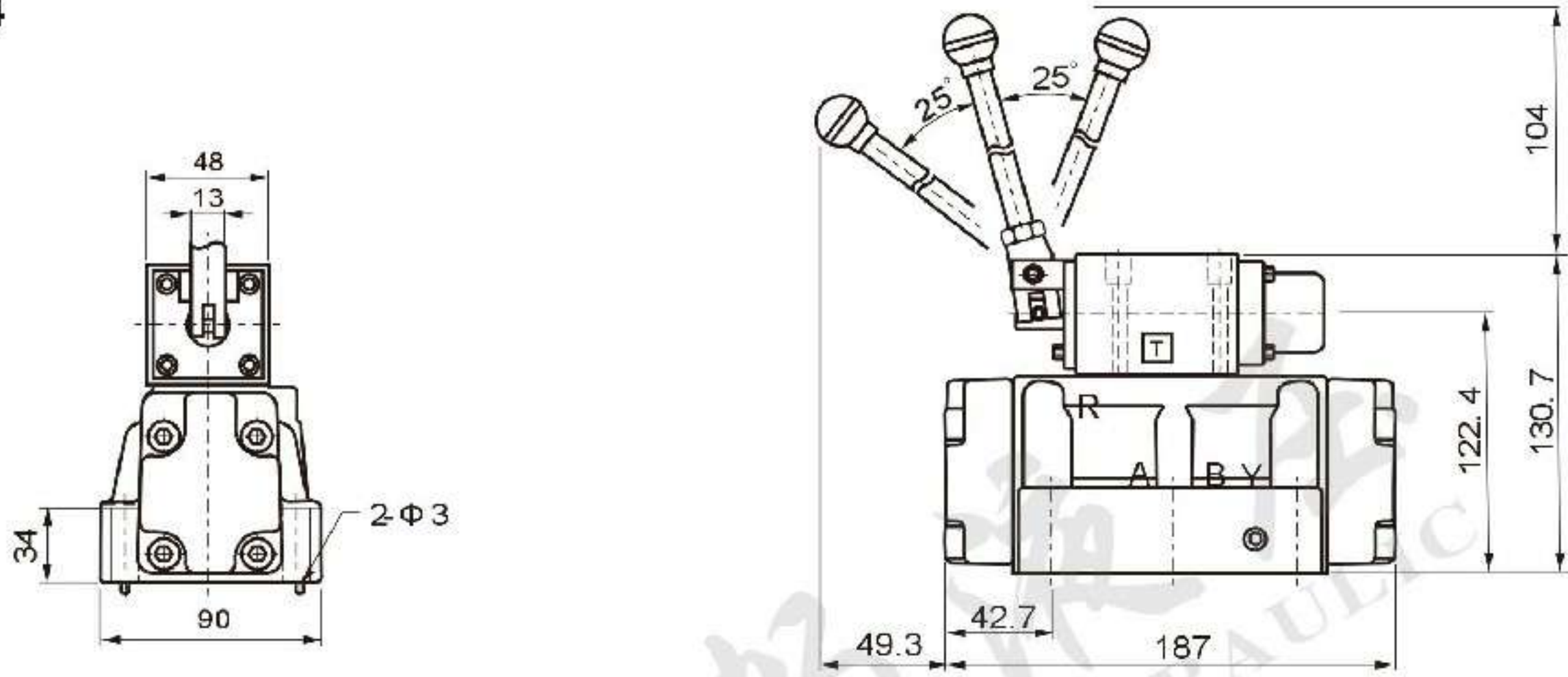
DMG-03



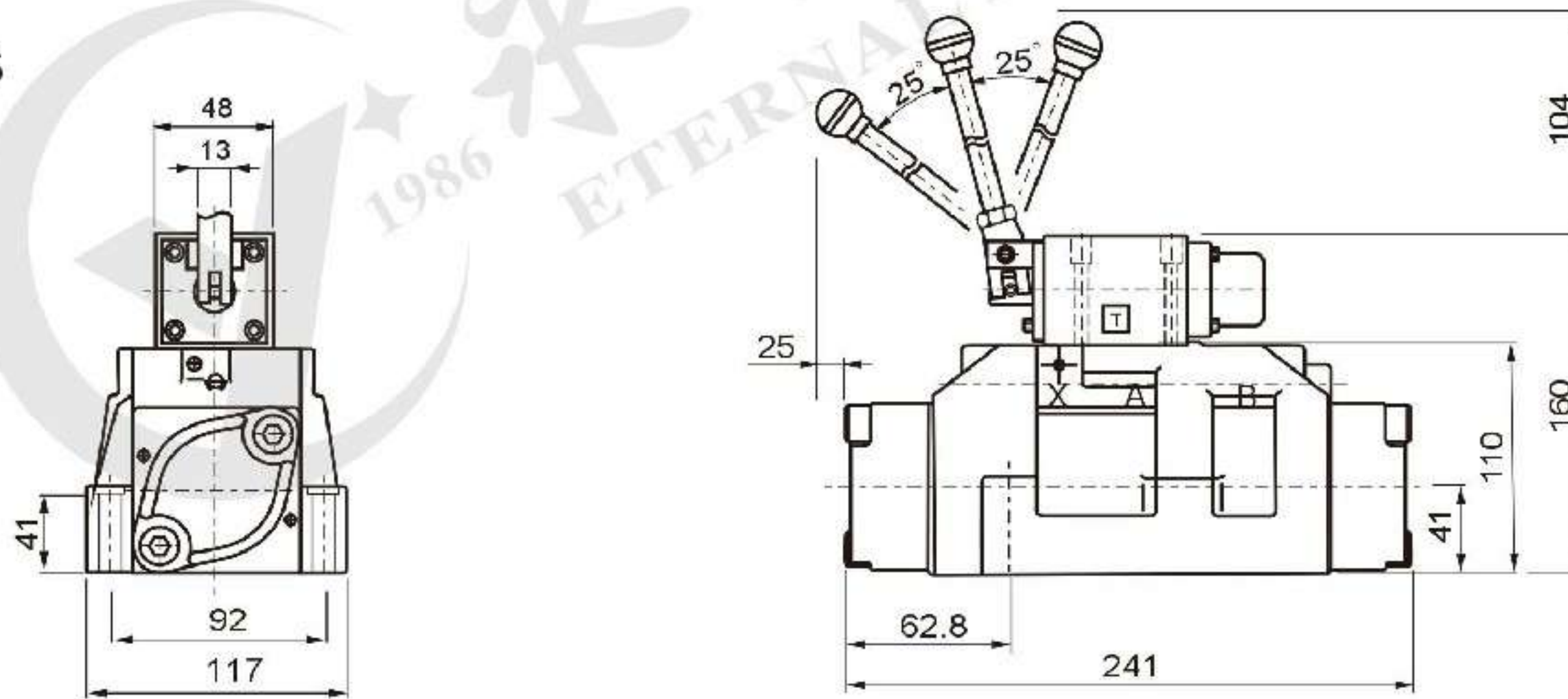
Dimensions

Unit: mm

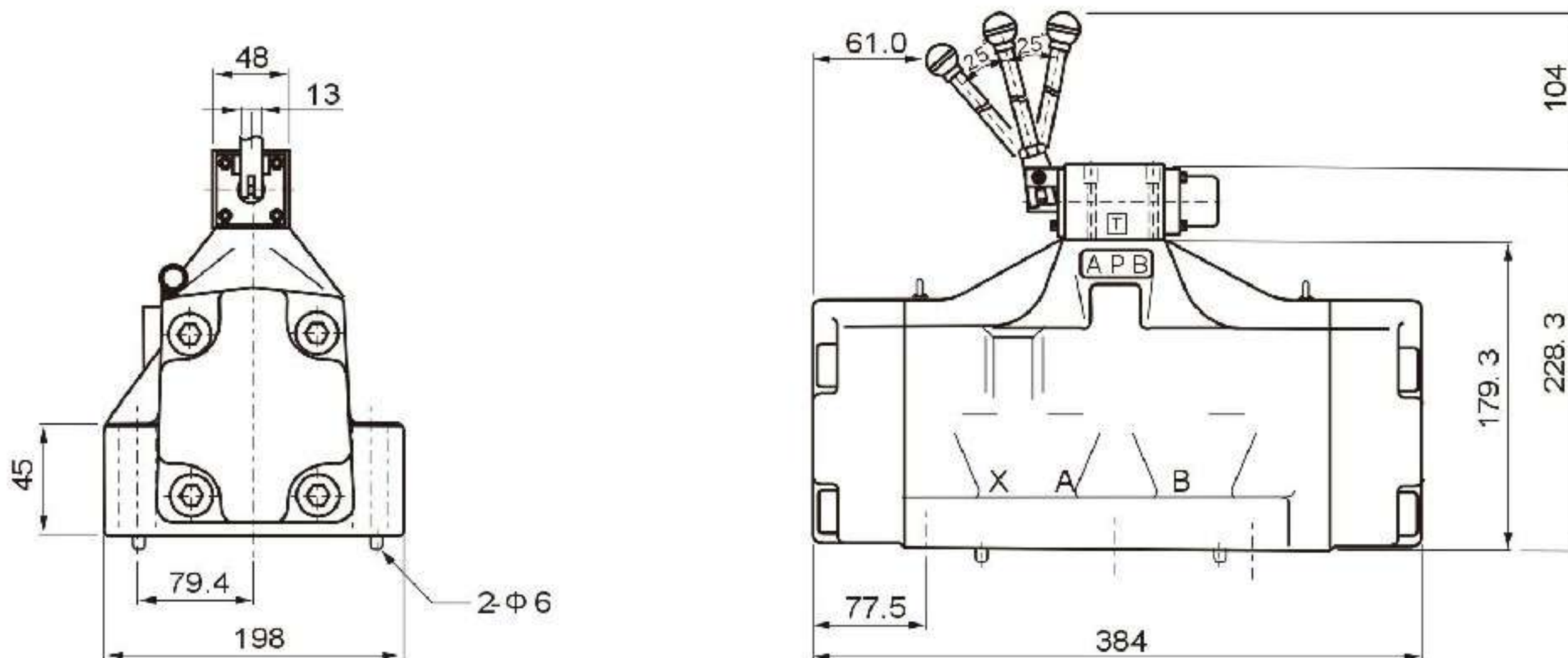
DMG-04



DMG-06



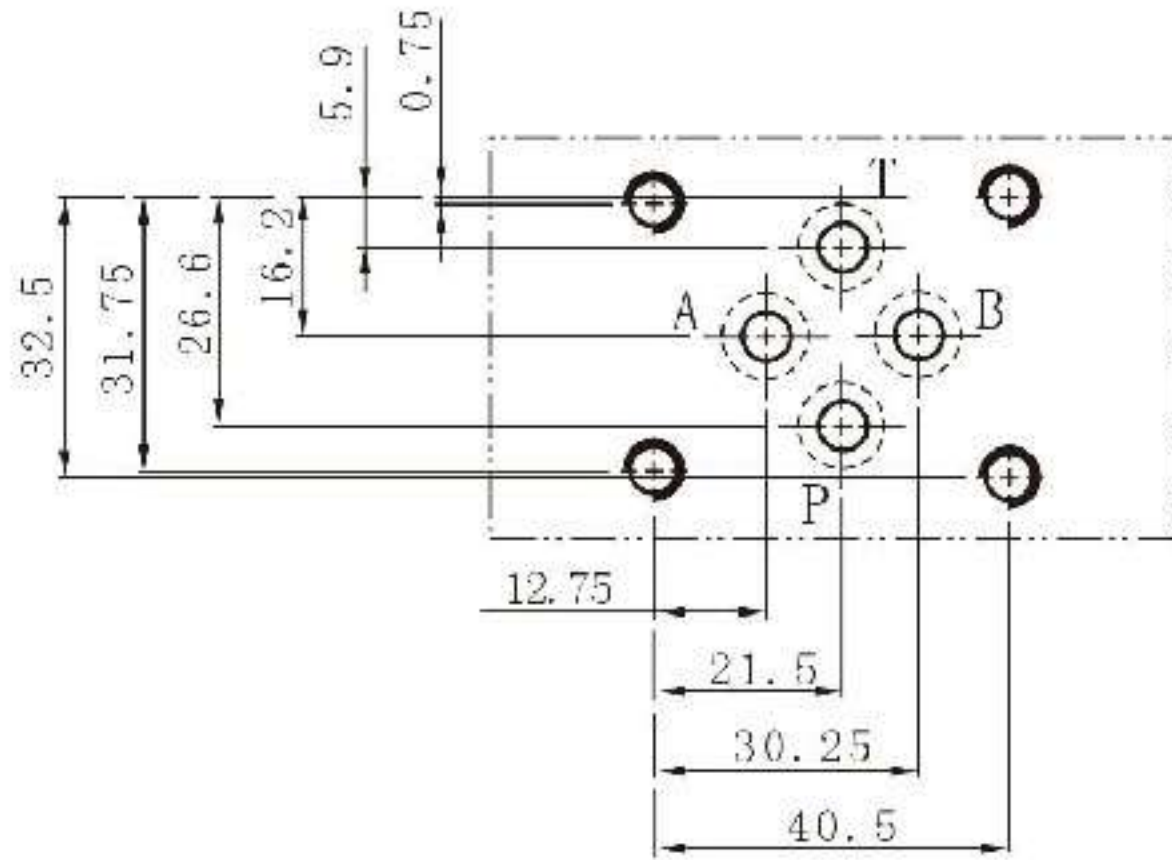
DMG-10



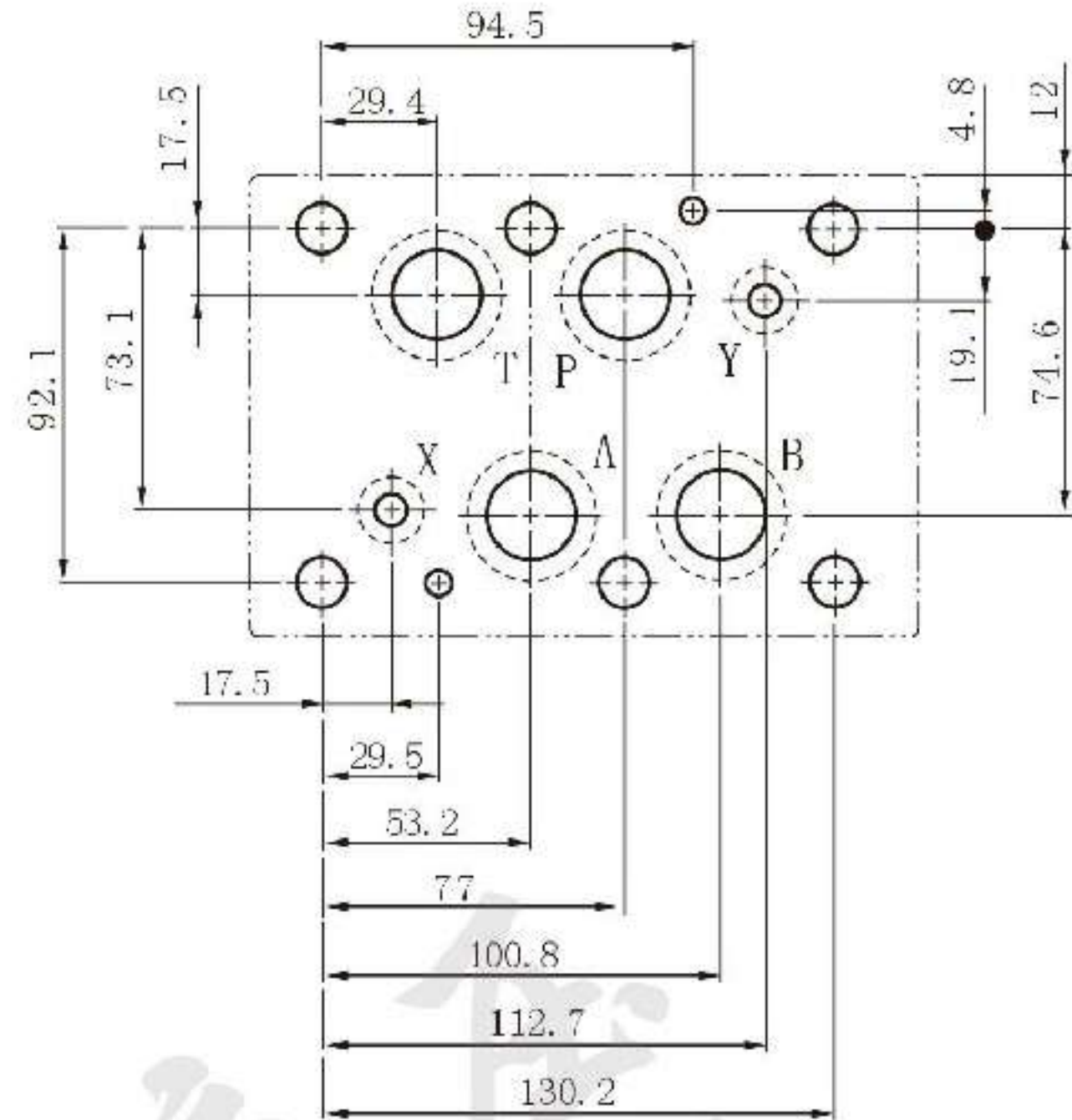
Mounting dimensions

Unit: mm

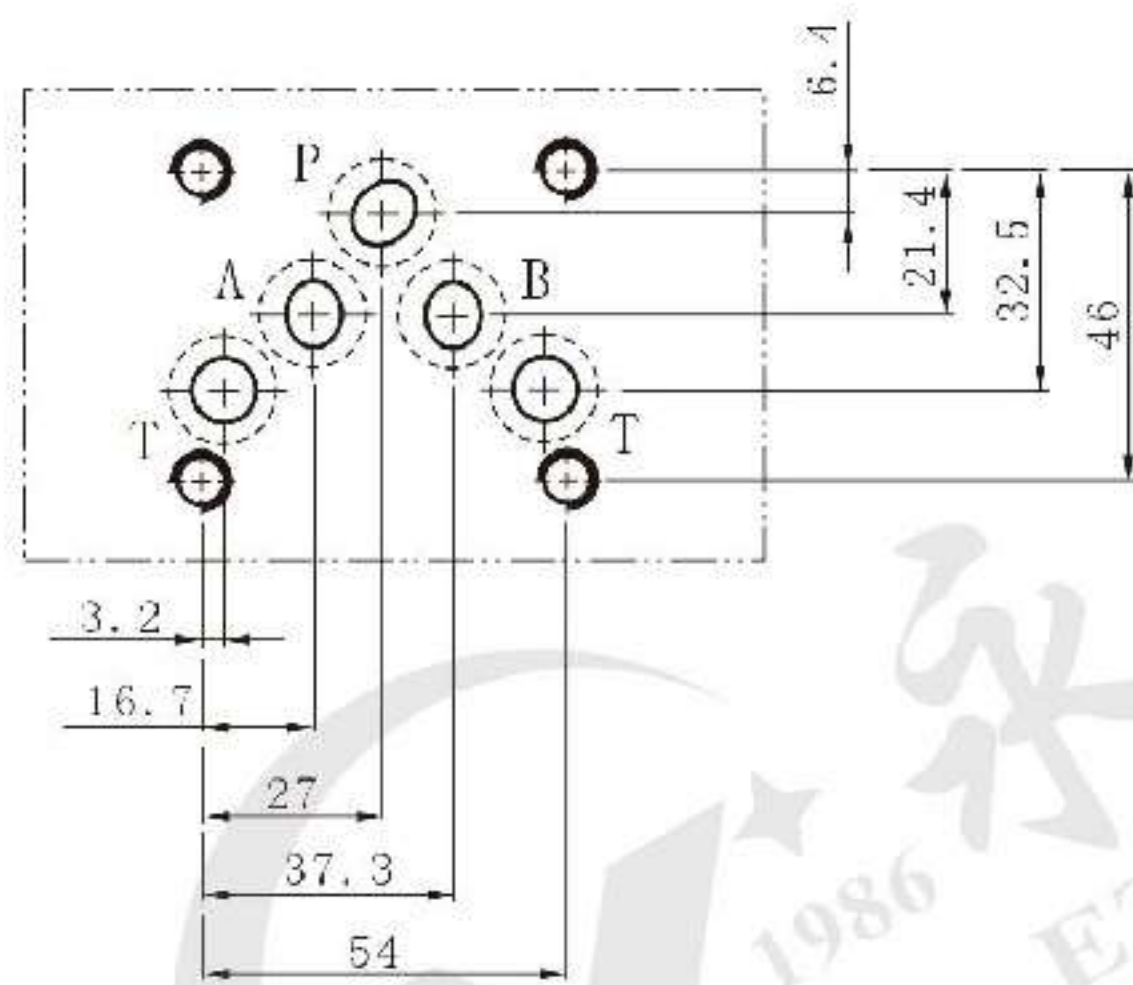
DMG-02



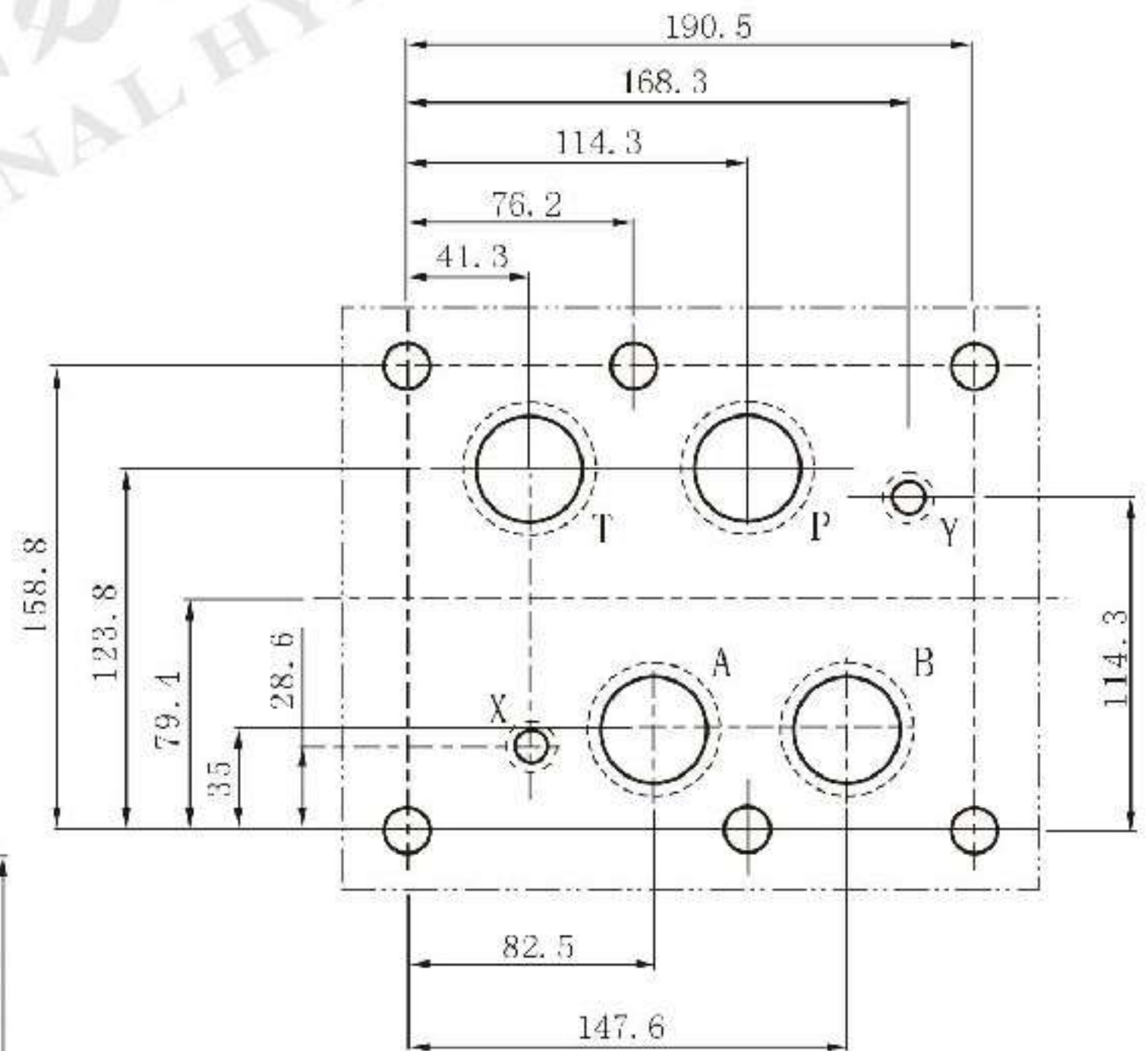
DMG-06



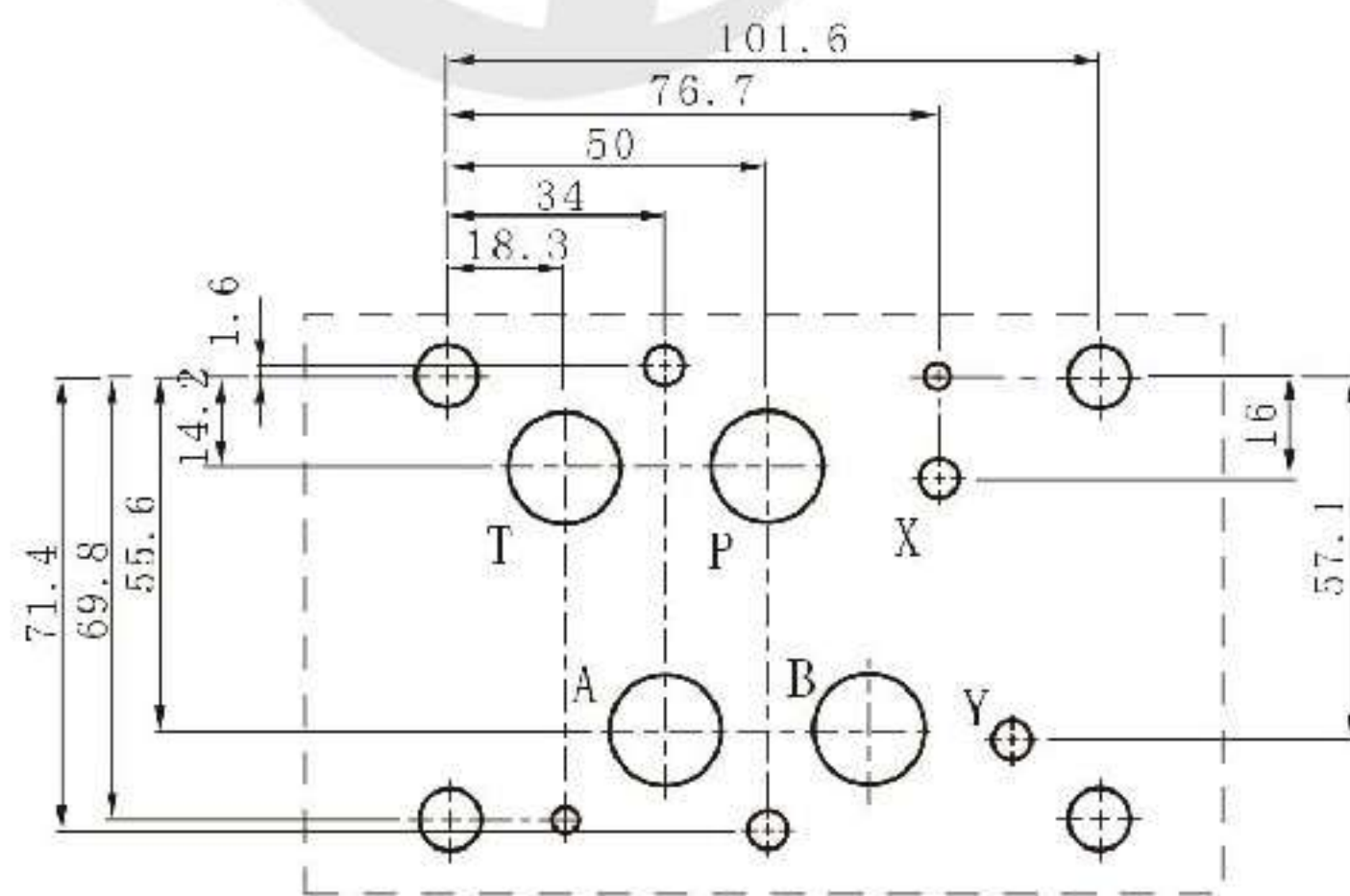
DMG-03



DMG-10



DMG-04



DCG series mechanical operated directional valves can control the start, stop & direction of fluid flow by mechanical movement.



Ordering details

DC	G	02	2B2	R	10
Sort	Mounting type	Nominal size	symbols	Roller positon	Design code
Mechanical operated directional valve	Subplate mounting	02:NG6 Cetop3 03:NG10 Cetop5	See symbols list	R:P port side L:T port side Y:nameplate side	10

Technical specification

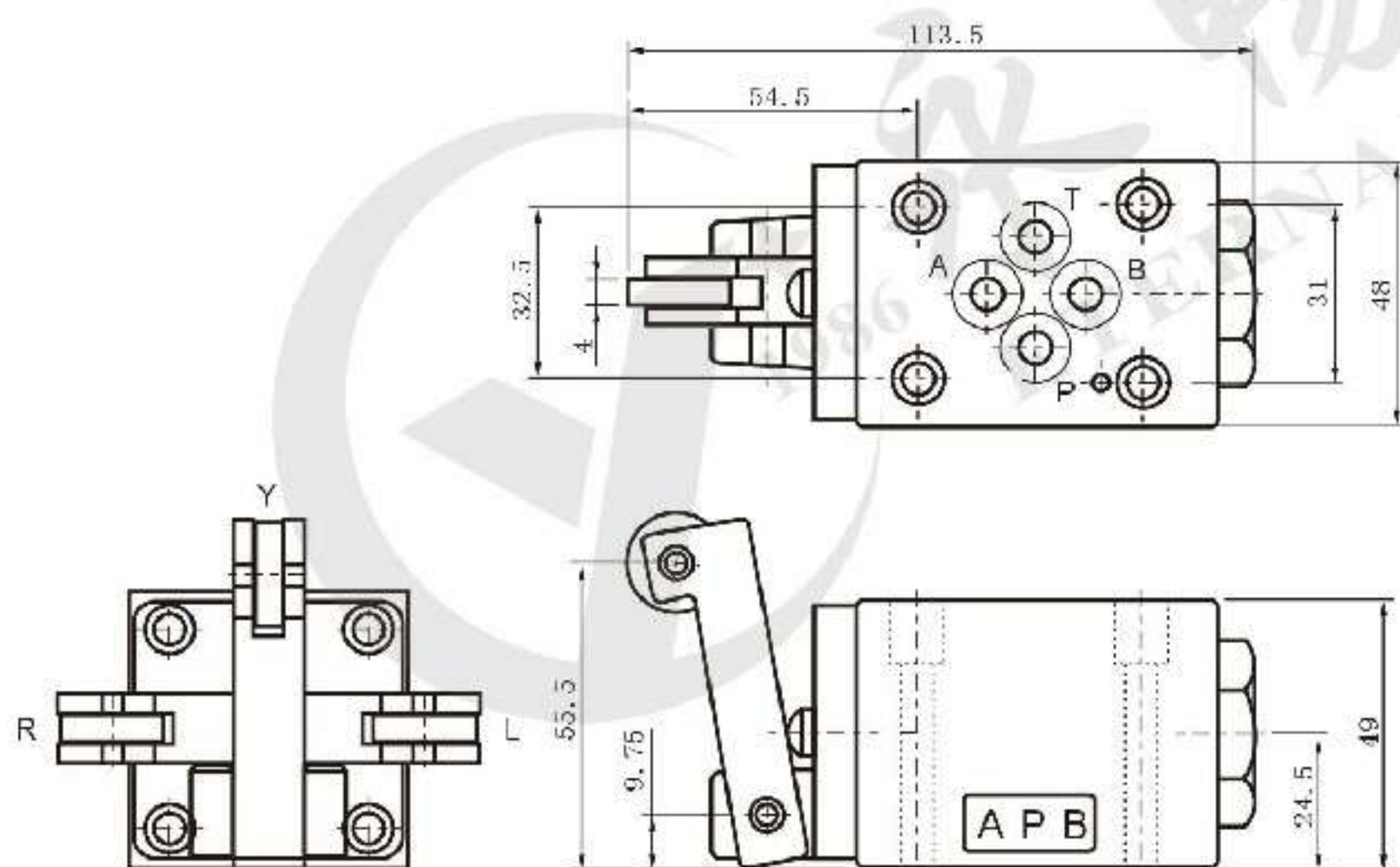
Model		DCG-02	DCG-03
Max. flow rate (l/min)		30	100
Working pressure (MPa)	A, B, P port	21	25
	T port	7	10
Weight(kgs)		1.1	3.8

Symbol list

2B8		2B3	
2B2L		3B3L	
2B2		2B8L	

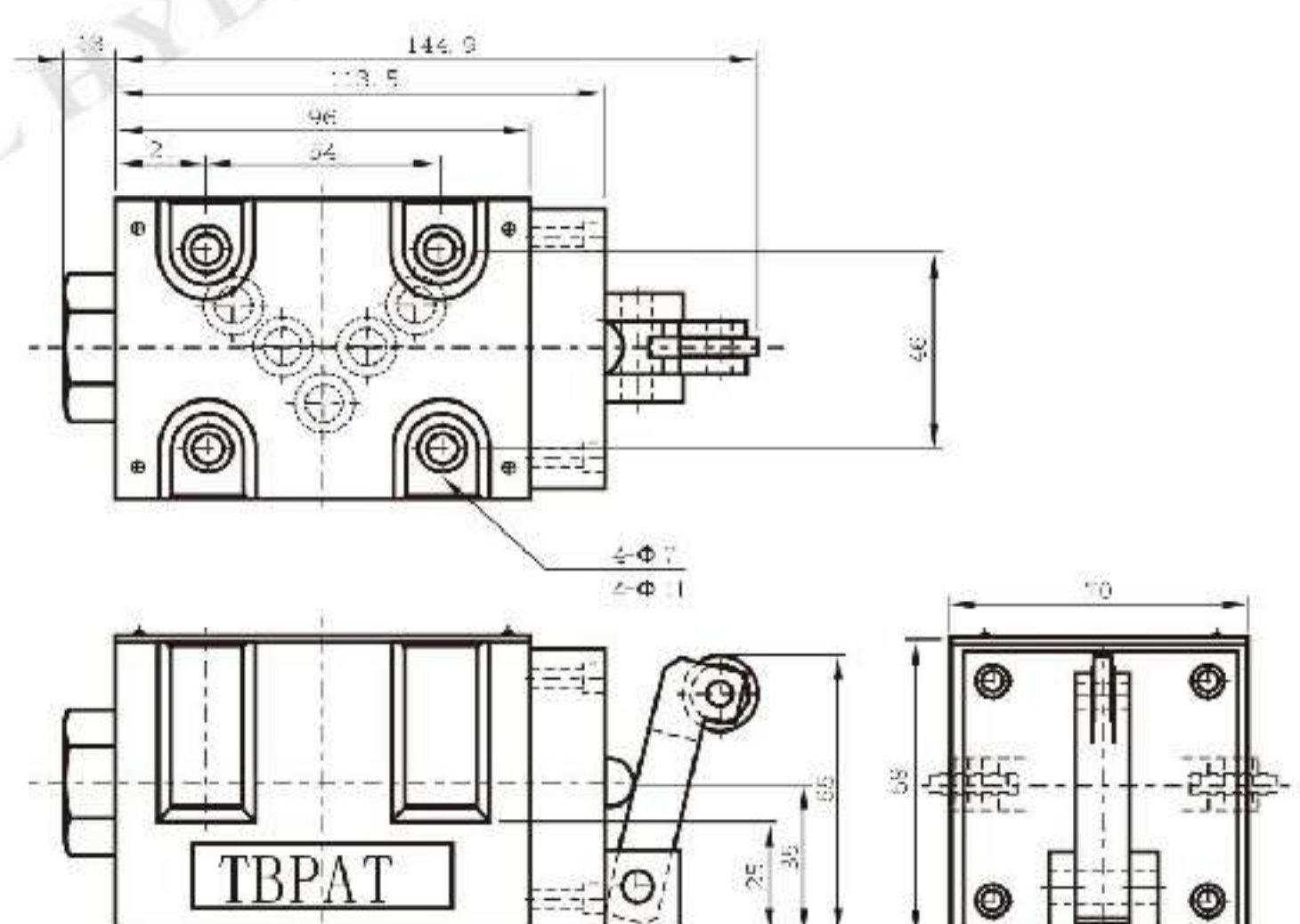
Dimensions

DCG-02

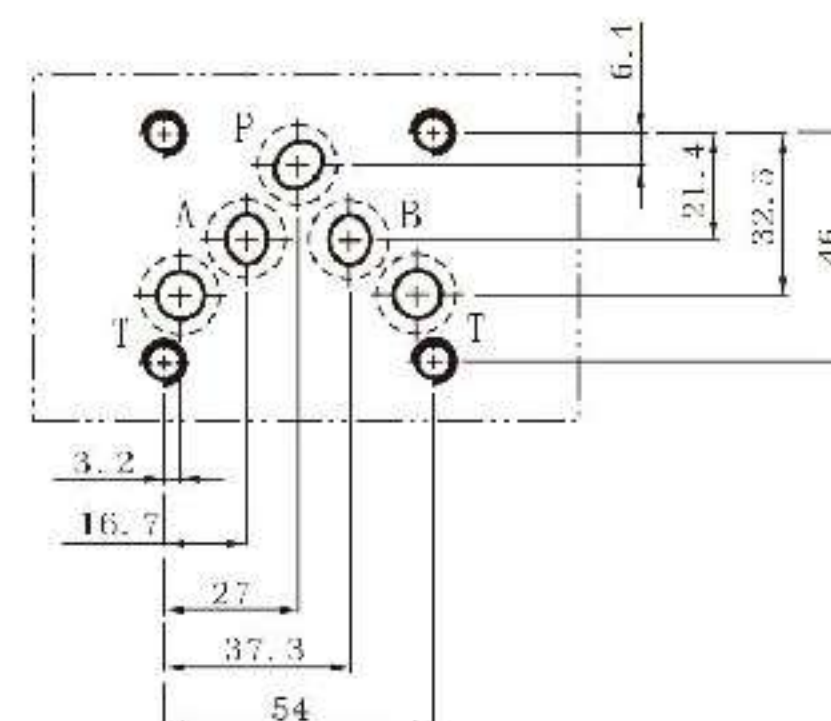
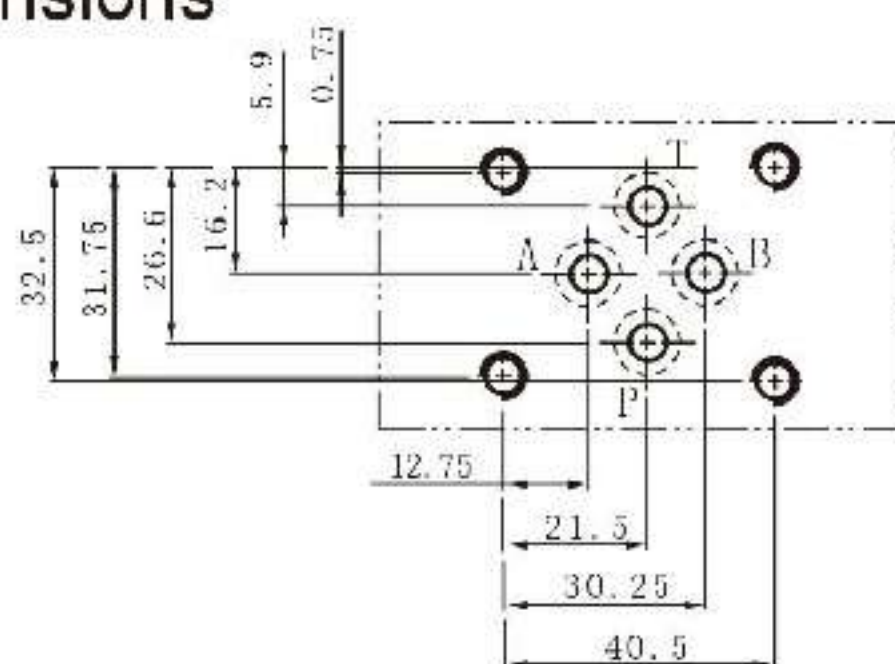


Unit: mm

DCG-03



Mounting dimensions





SW series solenoid check valves not only allow free flow in one direction and block flow in the counter direction, but also use pilot solenoid valve to control flow on-off and make flow in the counter direction viable.

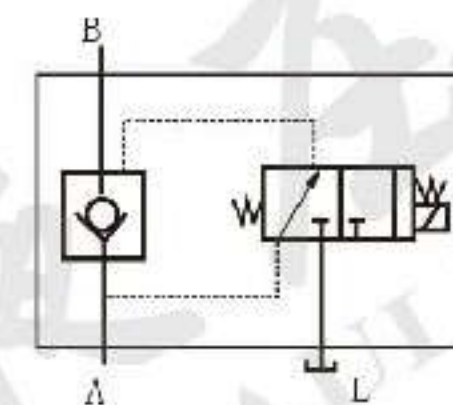
Ordering details

SW	20	P	A	G24	Z4L
Sort	Nominal size	Mounting type	Standard solenoid	Input voltage	Connector type
Solenoid check valve	20:NG20 30:NG30	Suplate mounting	Standard solenoid	G12:DC12 G24:DC24 W220:AC220 W110:AC110 W220R:RAC220 W110R:RAC110	Z4: Standart plug-in connector Z4L: Plug-in connector with light

Technical specification

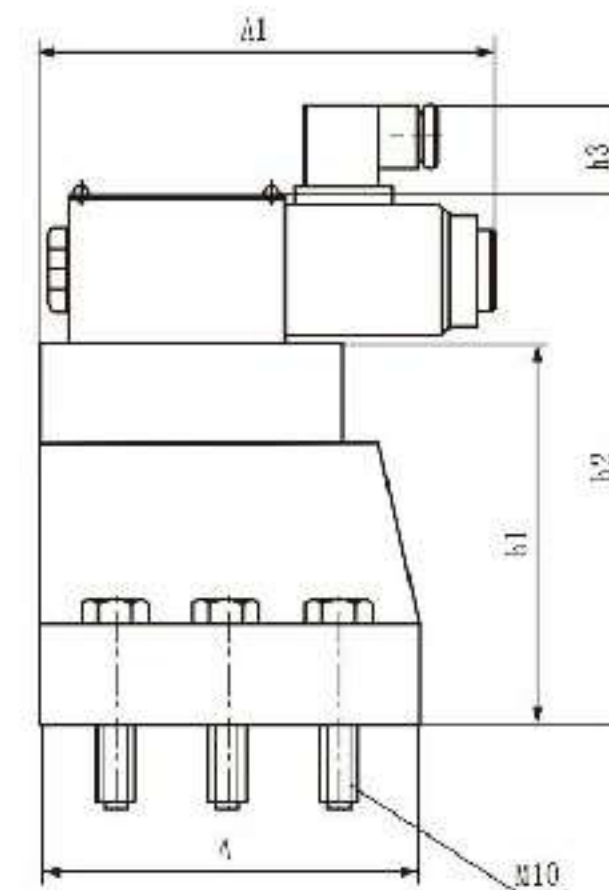
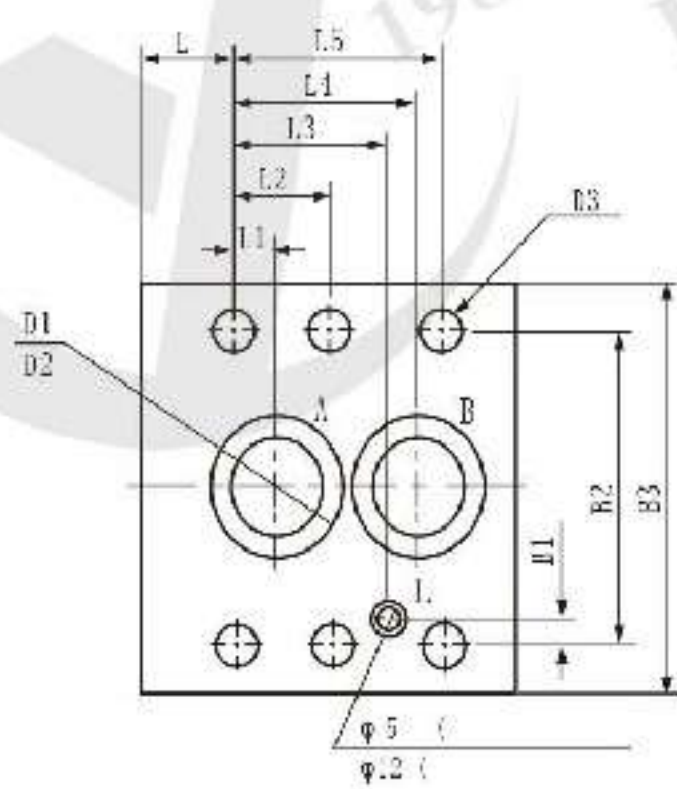
Model	SW20	SW30
Max. flow rate (l/min)	100	170
Working pressure (MPa)	31.5	
Weight(kgs)	5.5	9

Symbol



Dimensions

Unit: mm



Model	L	L1	L2	L3	L4	L5	B1	B2	B3	D1	D2	D3	h2	A	h1	A1
SW20P	25	11.1	0	39.7	49.2	60.3	6.4	79.4	102	24	35	11	95	145	101	145
SW30P	27	16.7	12.1	59.5	67.5	81.2	3.8	96.8	120	32	41	11	118	160	122	145

CP(D)G series pilot operated check valves not only allow free flow in one direction and block flow in the counter direction under setting opening pressure, but also allow free flow in the counter direction by pilot operation.



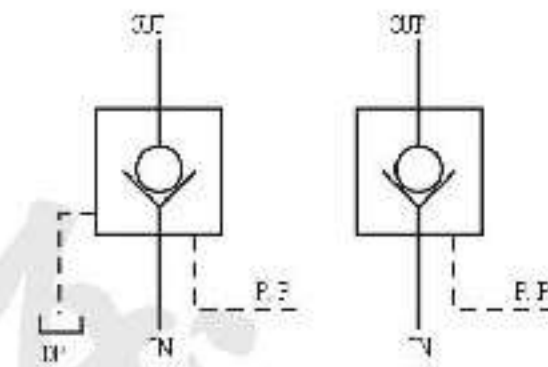
Ordering details

CP(D)G	G	03	05	ET	20
Sort	Mounting type	Nominal size	Cracking pressure	Oil control	Design code
PCV:Pilot operated check valve PCDV:Pressure release type pilot operated check valve	G:Subplate mounting T:Thread mounting	03:NG10 06:NG20 10:NG32	05:0.5bar 50:3.5bar	E:External control internal drain ET:External control external drain	20

Technical specification

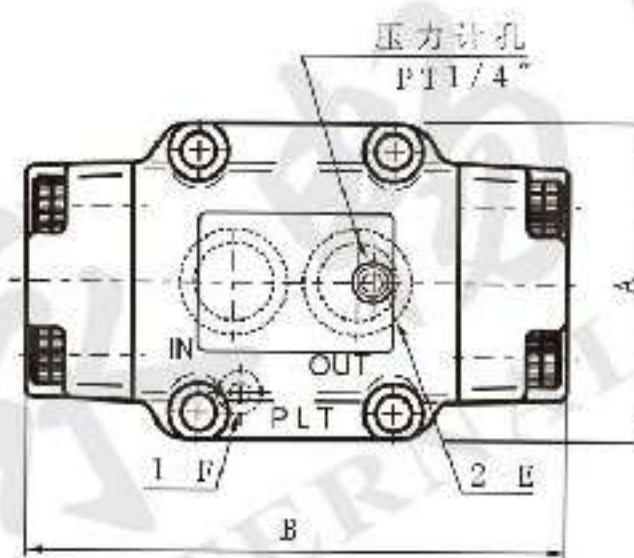
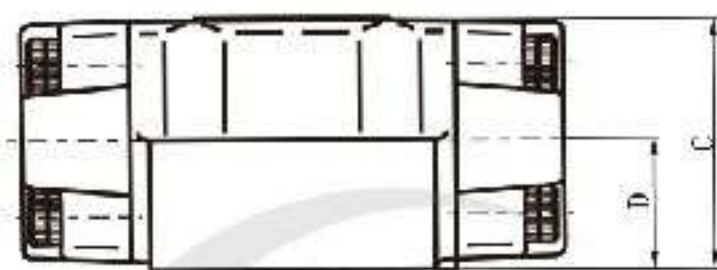
Model		CP(D)G-03	CP(D)G-06	CP(D)G-10
Max.flow rate(l/min)		60	200	450
Max. working pressure (MPa)		25		
Weight (kgs)	Subplate type	4.5	6.4	11
	Thread type	4.5	6.4	11.8

Symbol



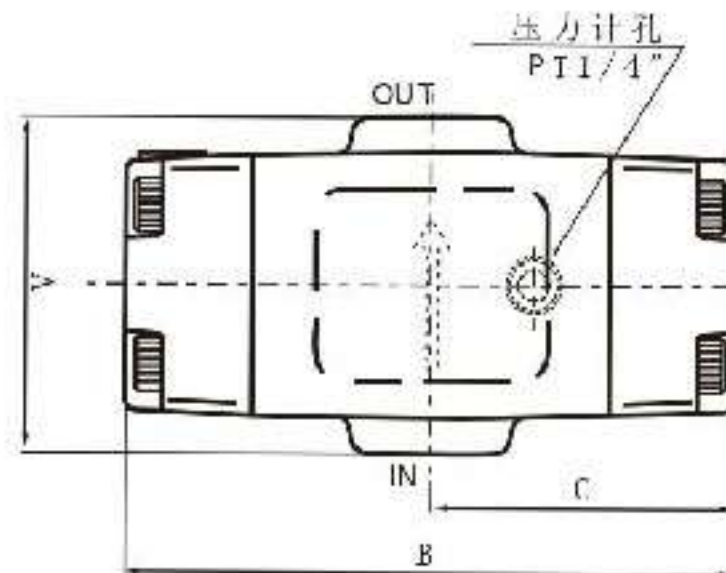
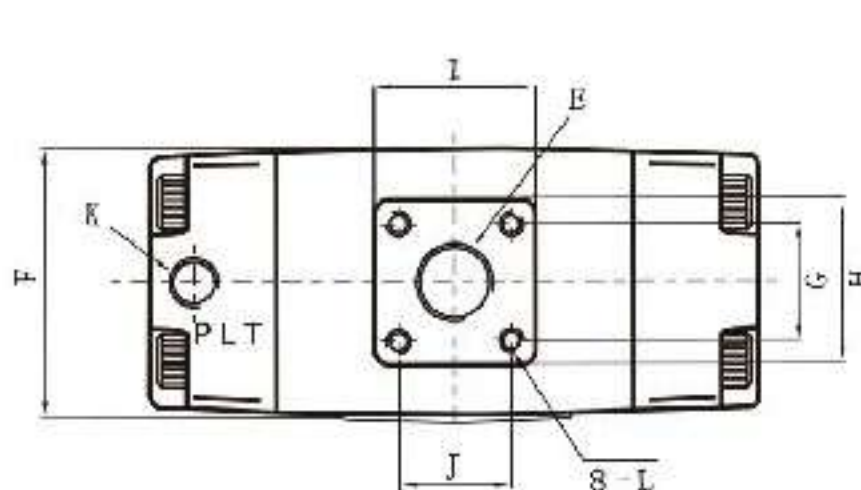
Dimensions

CP(D)GG-03/06/10



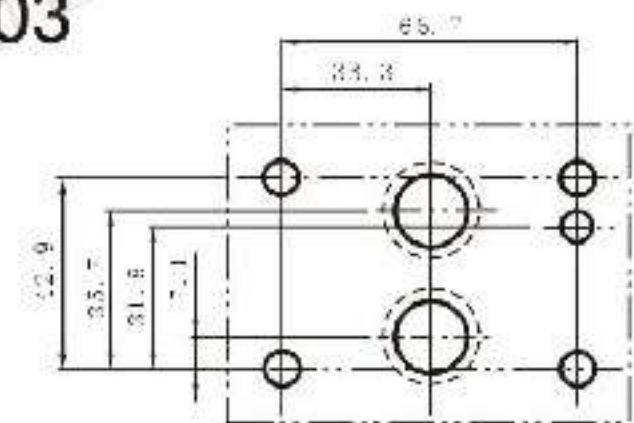
Model	A	B	C	D	E	F
PC(D)V-G03	91	150	67	42	P18	P10
PC(D)V-G06	98	166	78	40.5	P28	P10
PC(D)V-G10	119	210	93	49	P40	P10

CP(D)GT-03/06/10

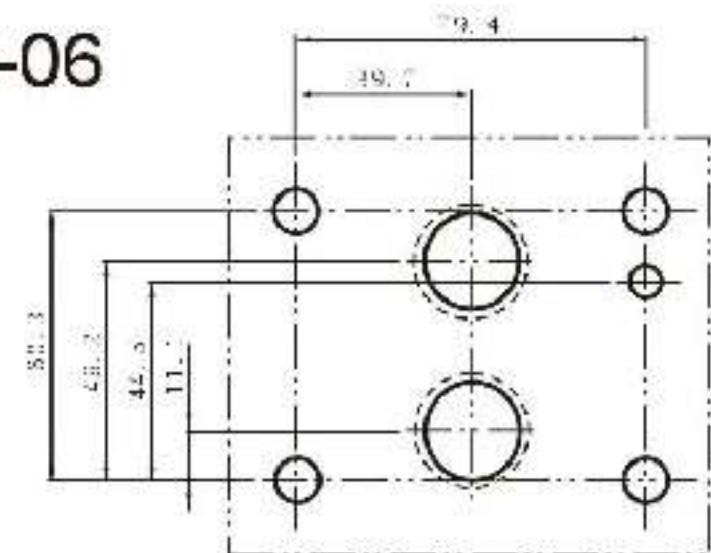


Model	A	B	C	E	F	G	H	I	J	K	L
PC(D)V-T03	78	149	74.5	PT3/8"	69	-	37	37	-	PT1/4"	-
PC(D)V-T06	97	166	88	PT3/4"	78	-	62	63	-	PT1/4"	-
PC(D)V-T10	140	212	106	PT1-1/4"	194	56	84	82	56	PT1/4"	M12

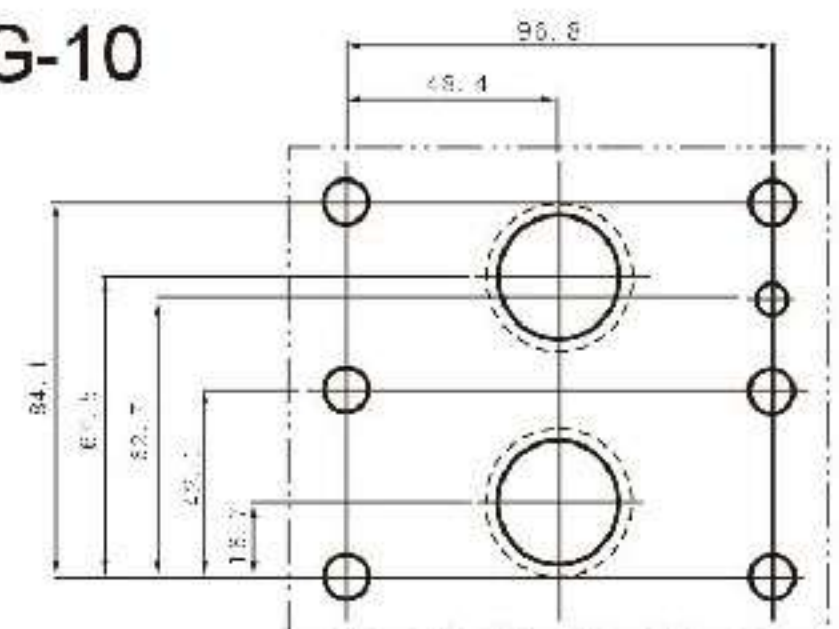
PCVG-03



PCVG-06



PCVG-10



RVP series check valves allow free flow in one direction and block flow in the counter direction. The valve connection is subplate mounting.

Ordering details



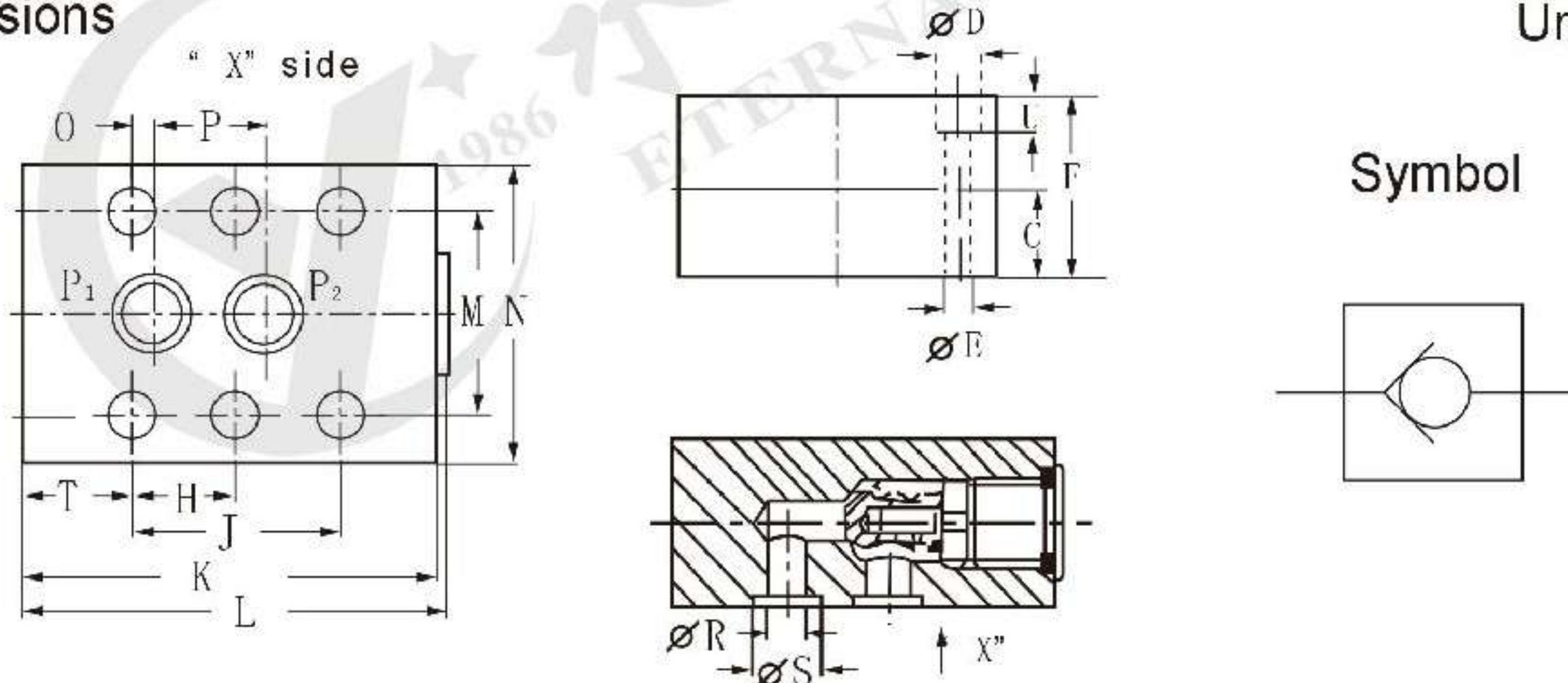
RV	P	6	10	*
Sort	Mounting type	Nominal size	Design code	Remark
Check valve	Subplate mounting	6:NG6 8:NG8 10:NG10 12:NG12 16:NG16 20:NG20 25:NG25 30:NG30 40:NG40	10	Further requirements

Technical specification

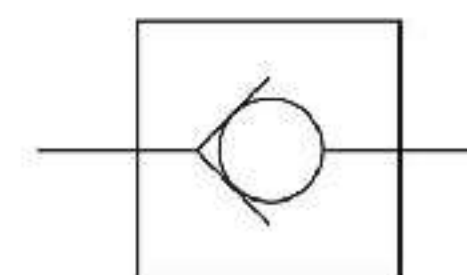
Model	RVP6	RVP8	RVP10	RVP12	RVP16	RVP20	RVP25	RVP30	RVP40
Rated flow (l/min)	15	30	50	80	100	200	300	380	460
Max. operating pressure (MPa)	31.5								
Cracking pressure (MPa)	0.05								
Weight(kgs)	0.26	0.5	0.8	1.1	2.25	3.9	6.7	11	17

Dimensions

Unit: mm



Symbol



Model	C	D	E	F	H	J	K	L	M	N	O	P	R	S	T	U
RVP-6	8	11	6.6	16	-	19	41.5	43	28.5	41.5	1.6	16	5	9.8	6.4	7
RVP-8	10	11	6.6	20	-	35	63.5	65	33.5	46	4.5	25.5	7	12.7	14.2	7
RVP-10	12.5	11	6.6	25	-	33.5	70	72	38	51	4	25.5	10	15.7	18	7
RVP-12	16	11	6.6	32	-	38	80	84	44.5	57.5	4	30	13	18.7	21	7
RVP-16	22.5	14	9	45	38	76	104	107	54	70	11.4	54	17	24.5	14	9
RVP-20	25	14	9	50	47.5	95	127	131	60	76.5	19	57	22	30.5	16	10
RVP-25	27.5	18	11	55	60	120	165	169	76	100	20.6	79.5	28.5	37.5	15	11
RVP-30	37.5	20	14	75	71.5	143	186	190	92	115	23.8	95	35	43.5	15	13
RVP-40	50	20	14	100	67	133.5	192	196	111	140	25.5	89	47.5	57.5	16	13

AJ series orthogonal check valves allow free flow in one direction and block flow in the counter direction.



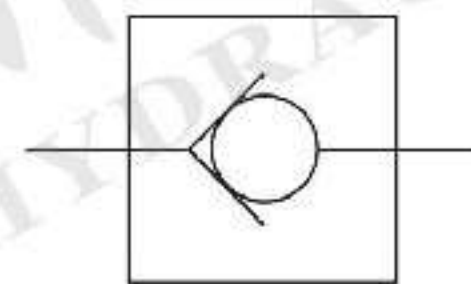
Ordering details

AJ	H	a	10	B
Sort	Working pressure	Cracking pressure	Nominal size	Mounting type
Orthogonal check valve	31.5MPa	a: 0.4bar b: 4bar	10: NG10 20: NG20 30: NG30	Subplate mounting

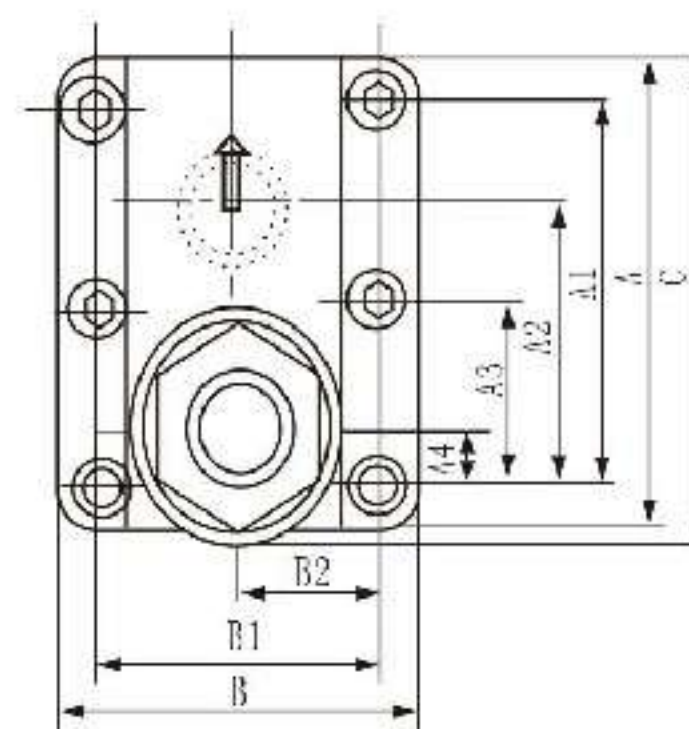
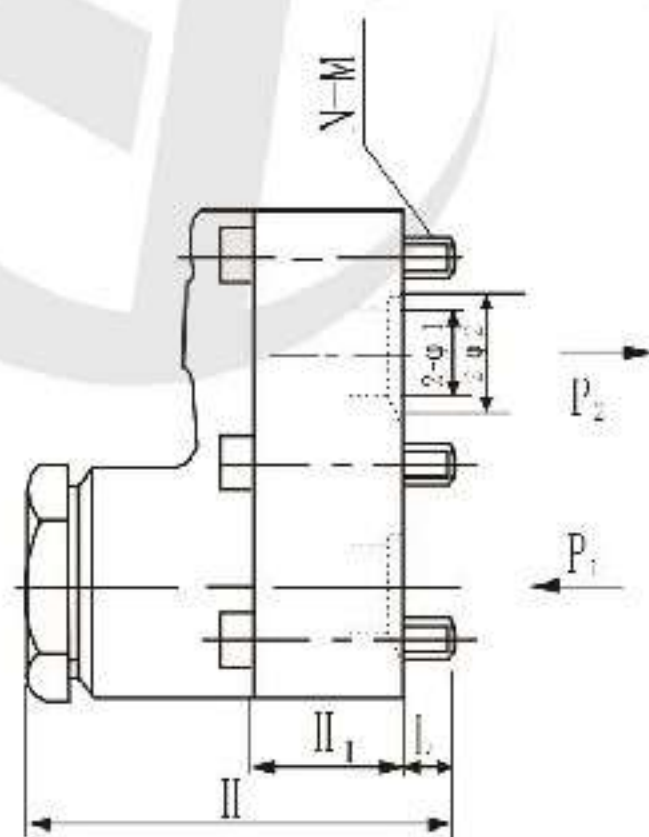
Technical specification

Model	AJ-* -10	AJ-* -20	AJ-* -30
Max. flow rate (l/min)	40	100	200
Max. operating pressure (MPa)	31.5		
Weight(kgs)	1.7	2.9	5.5

Symbol



Dimensions

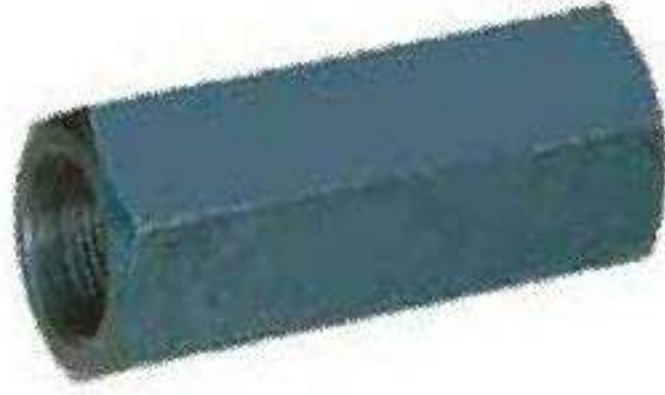


Unit: mm

Model	A	A1	A2	A3	A4	B	B1	B2	C	H	H1	L	N	Φ 1	Φ 2	M
AJ-H*10B	67	42.9	35.7	—	7.1	90	66.7	33.3	72.5	87	30	16	4	Φ13	Φ22	M10X45
AJ-H*20B	86	60.3	49.2	—	11.1	105	79.4	39.7	94.3	98.5	36	15	4	Φ20	Φ32	M10X50
AJ-H*30B	108	84.1	67.5	42.1	16.7	120	96.8	48.4	118	123	45	16	6	Φ30	Φ40	M10X60

CIT series in-line check valves allow free flow in one direction and block flow in the counter direction.

Ordering details

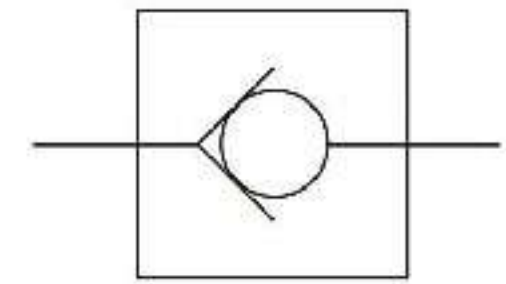


CI	T	03	05	10
Sort	Mounting type	Nominal size	Cracking pressure	Design code
In-line check valve	Thread mounting	02:NG6 03:NG10 04:NG16 06:NG20 08:NG25 12:NG40 16:NG50	05:0.35bar 50:3.5bar	10

Technical specification

Model	CIT-02	CIT-03	CIT-04	CIT-06	CIT-08	CIT-10	CIT-12	CIT-16
Rated flow (l/min)	20	40	60	100	180	350	600	1000
Max. operating pressure (MPa)	31.5							
Weight(kgs)	0.15	0.2	0.4	0.7	1	2.1	3.2	4.8

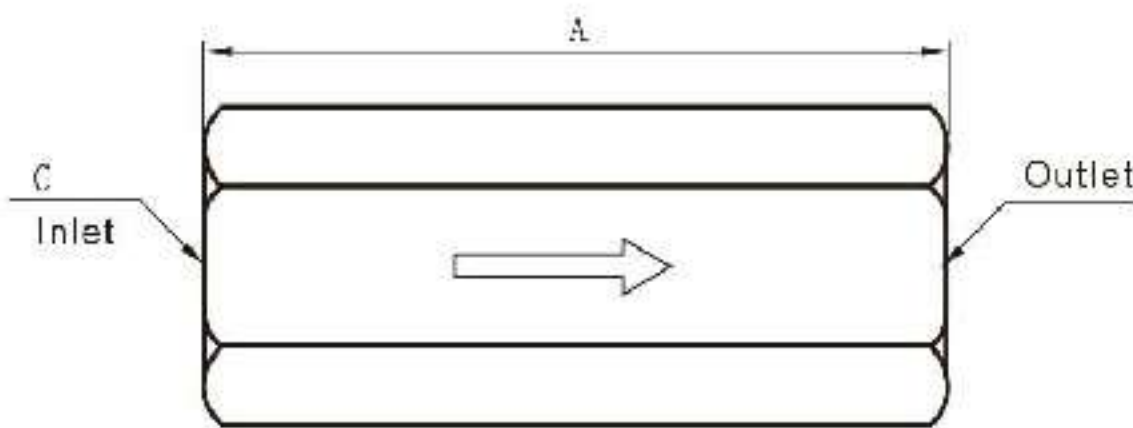
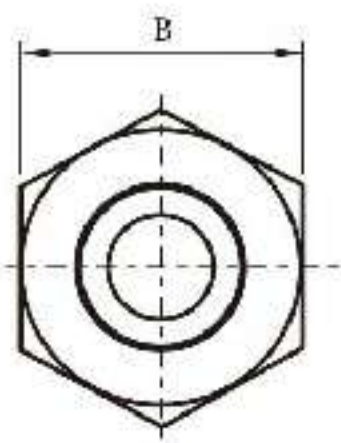
Symbol



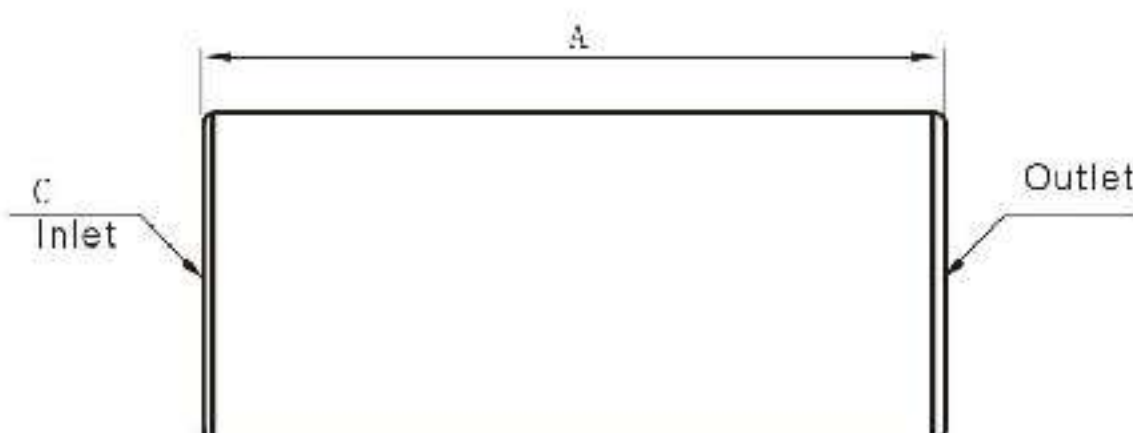
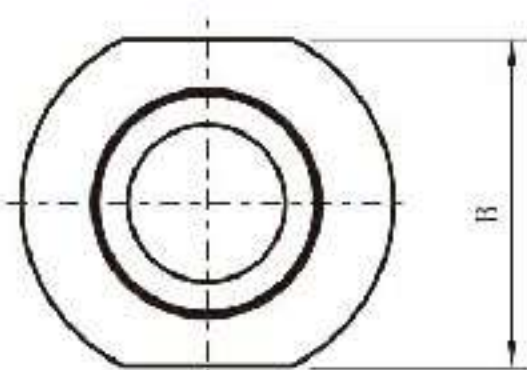
Dimensions

Unit: mm

CIT-02/03/04/06/08



CIT-10/12/16



Model	A	B	C
CI-T02-**	58	19	1/4"
CI-T03-**	70	26	3/8"
CI-T04-**	82	29	1/2"
CI-T06-**	91.5	35	3/4"
CI-T08-**	112	51	1"
CI-T10-**	132	65	1-1/4"
CI-T12-**	140	64	1-1/2"
CI-T16-**	156	80	2"

DL4WE series solenoid serial mounting directional valves are solenoid operated directional spool valves, these valves are used to the start, stop and direct oil flow, they are thread type.



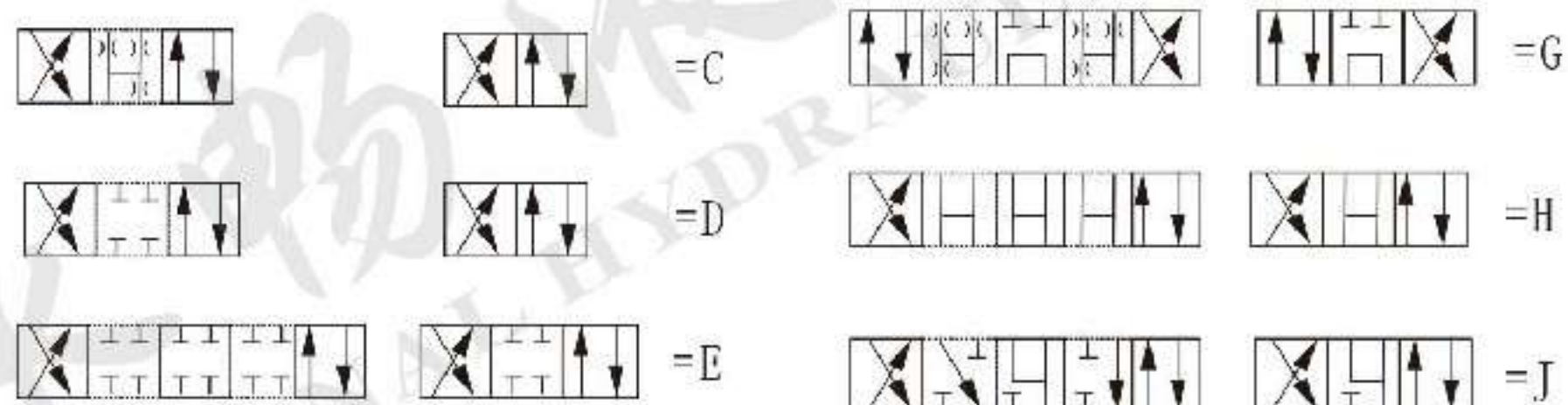
Technical specification

DL4WE	G1/4	E	G24	Z4L
Sort	Thread size	symbols	Input voltage	Connector type
Solenoid serial mounting directional valve	G1/4	See symbols list	G12:DC12 G24:DC24 W220:AC220 W110:AC110 W220R:RAC220 W110R:RAC110	Z4: Standart plug-in connector Z4L: Plug-in connector with light

Ordering details

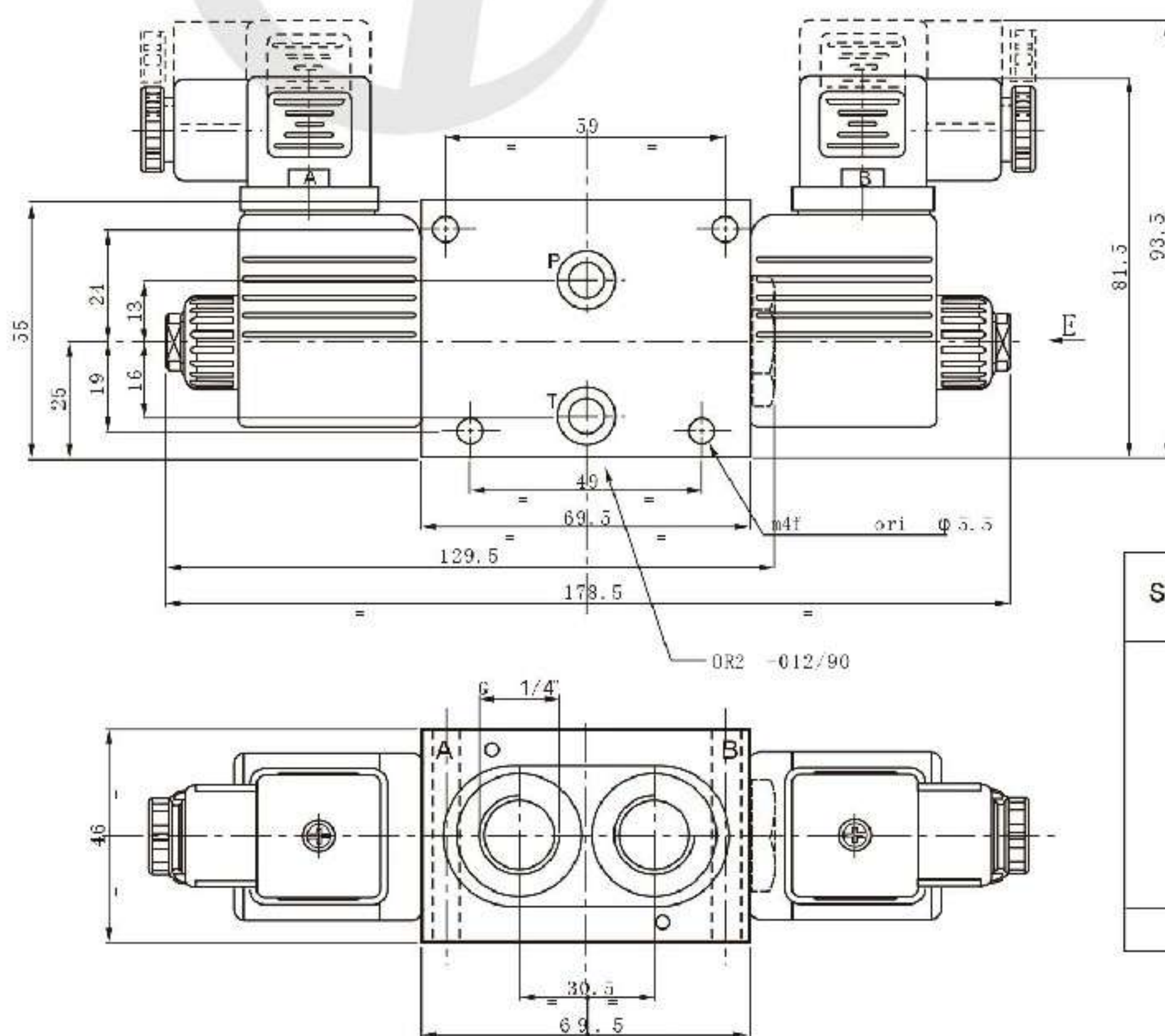
Model	DL4WE
Max. flow rate (l/min)	30
Working pressure (MPa)	A,B,P port 31.5
	T port 16
Weight (kgs)	2.2

Symbol list

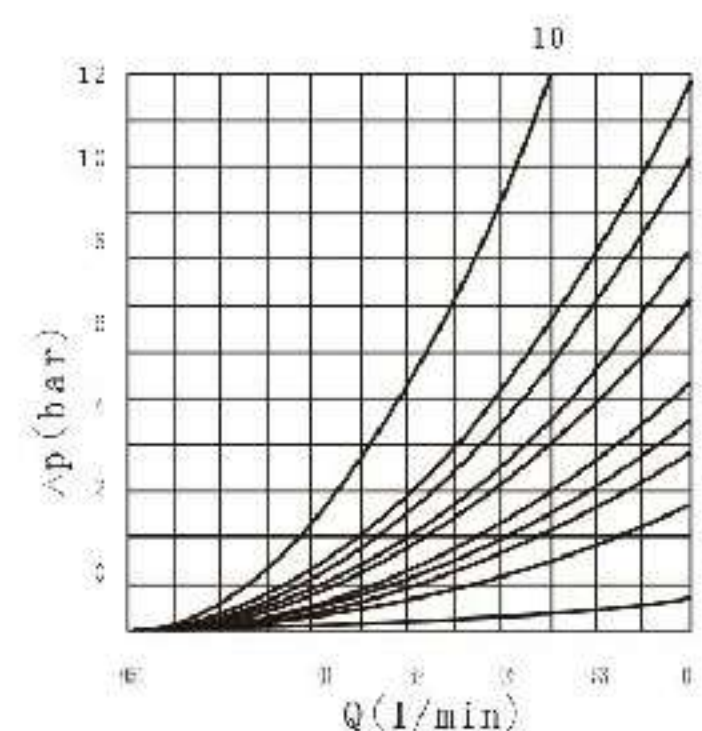


Dimensions

Unit: mm



Pressure drop-flow curve



Spool	Flow direction					
	P-->A	P->B	A->T	B->T	P->T	P-Tp assing
E	4	4	4	4	/	9
H	7	7	6	6	7	9
J	4	4	6	6	/	9
G	2	2	1	1	5	9
D	6	6	5	10	/	9
C	6	6	10	5	/	9

Curve code



KVH series solenoid serial mounting directional valves are solenoid operated directional spool valves, these valves are used to the start, stop and direct oil flow, they are thread type.

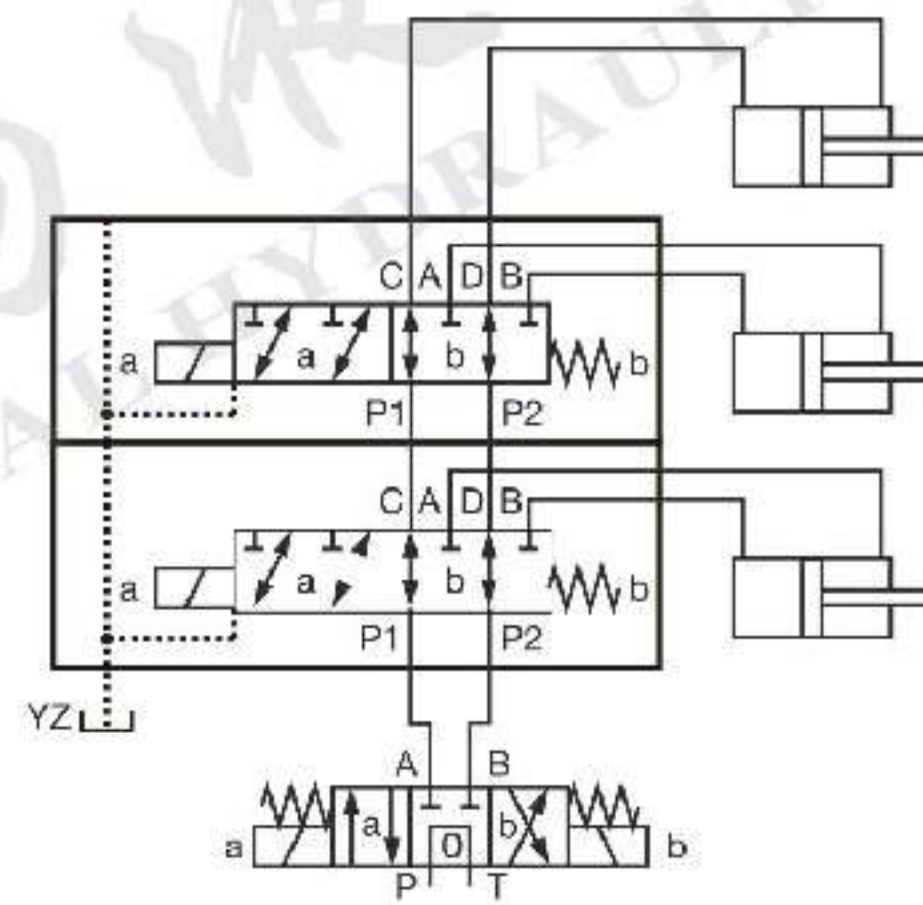
Technical specification

KVH	G3/8	G24	Z4L
Sort	Thread size	Input voltage	Connector type
Solenoid serial mounting directional valve	G3/8"	G12:DC12 G24:DC24 W220:AC220 W110:AC110 W220R:RAC220 W110R:RAC110	Z4: Standart plug-in connector Z4L: Plug-in connector with light

Ordering details

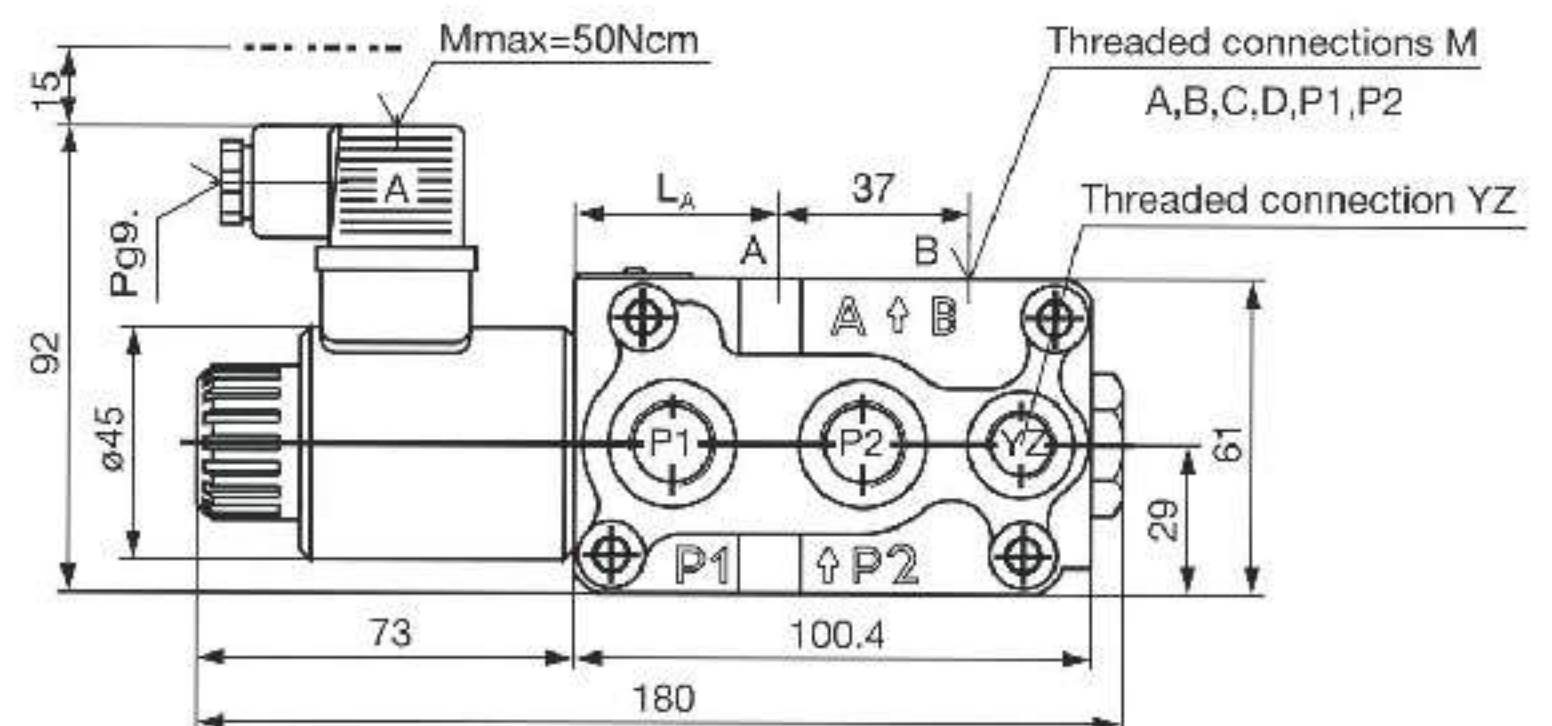
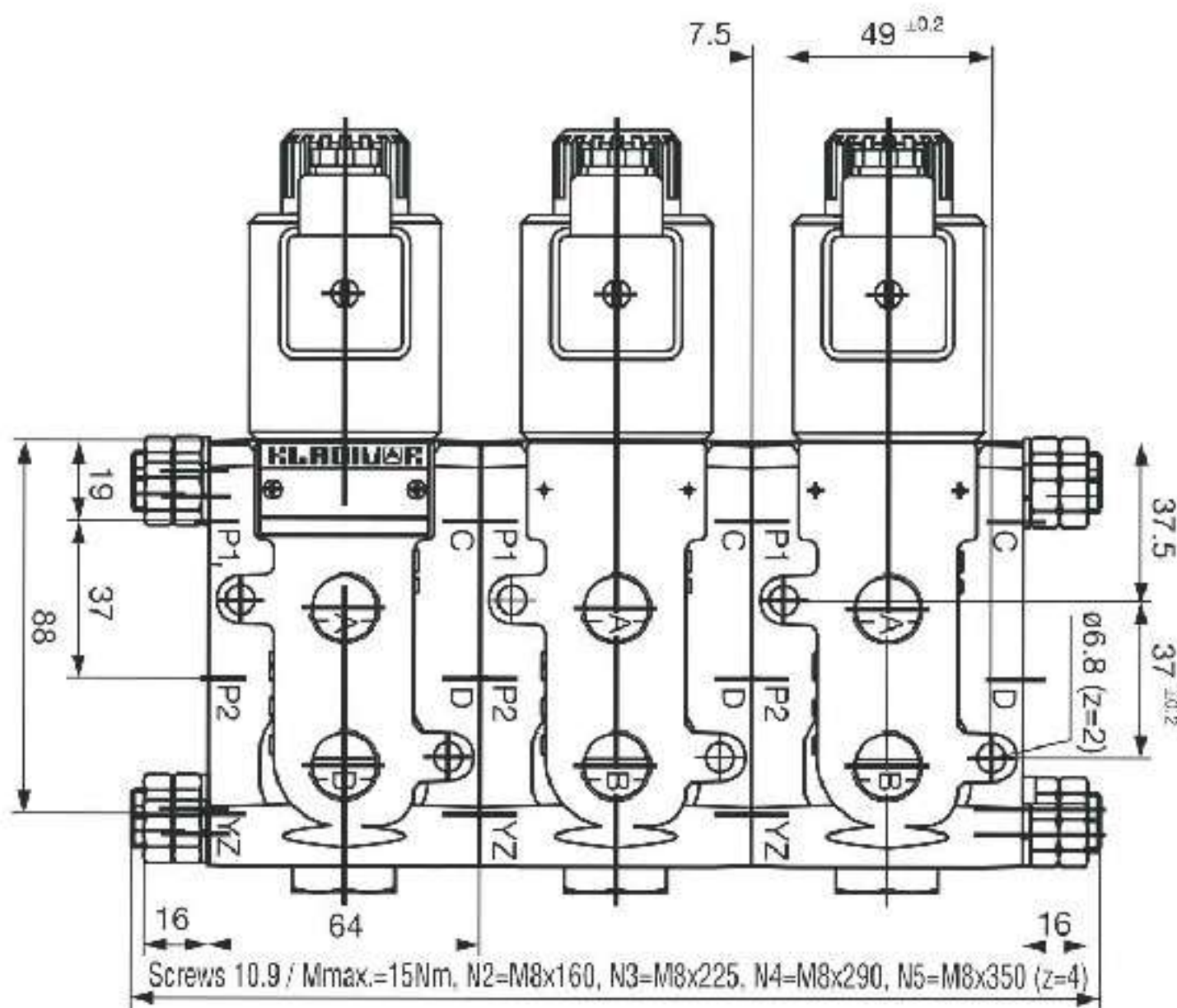
Model	KVH
Max flow rate (l/min)	50
Working pressure (MPa)	25
Weight (kgs)	2.5

Symbol list



Dimensions

Unit: mm



4WEJ series directional control valves with spool position detection can inspect spool position change exactly. They are usually used in plastic injection machines etc, which need to promote safety performance in hydraulic systems.

Technical specification

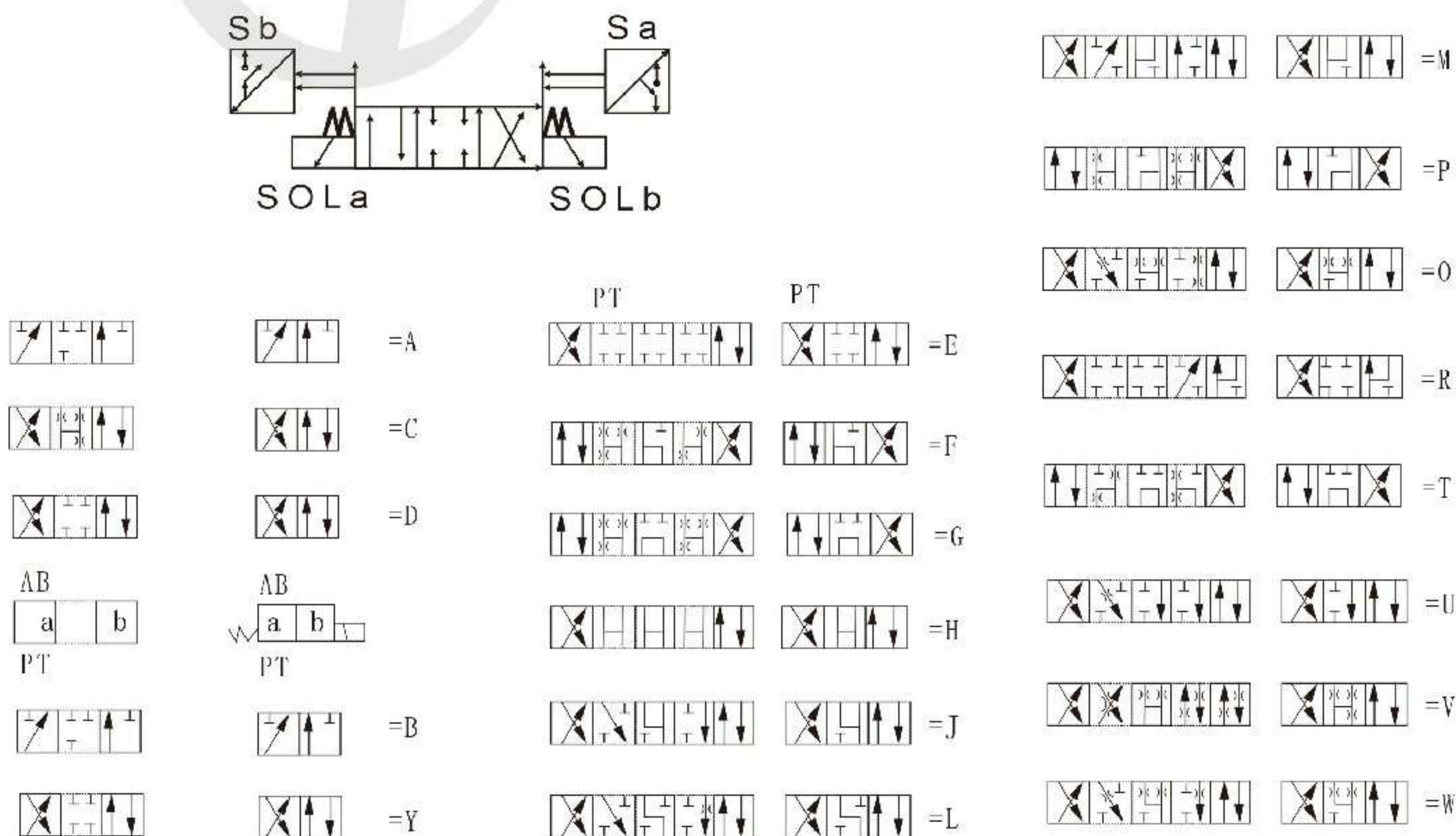


Model		4WEJ6	4WEJ10
Max.flow rate (l/min)		80	100
Working pressure (MPa)		A,B,P port 31.5	A,B,P port 31.5
		T port 16	T port 16
Weight (kgs)	Single solenoid	2.2	6.3
	double solenoids	3.5	9

Ordering details

4WEJ	6	E	A	G24	JS	A	S
Sort	Nominal size	symbols	Connector type	Input voltage	Detecting position	Detection contact mode	Other series
Solenoid operated directional valve with spool position detection	6:NG6 10:NG10	See symbols list	A:Connector with light B:Connector without light	G12:DC12 G24:DC24 W220R:RAC220 W110R:RAC110	JA:A side JB:B side JS:Both sides	A:Normal closed B:Normal open	No code: Standard S: Shock absorption

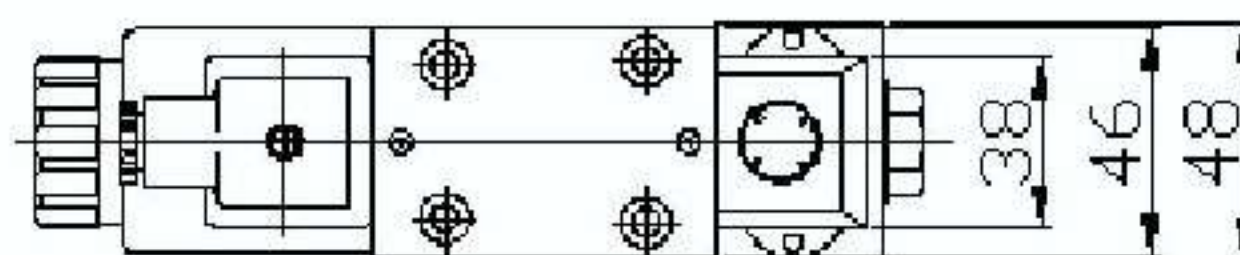
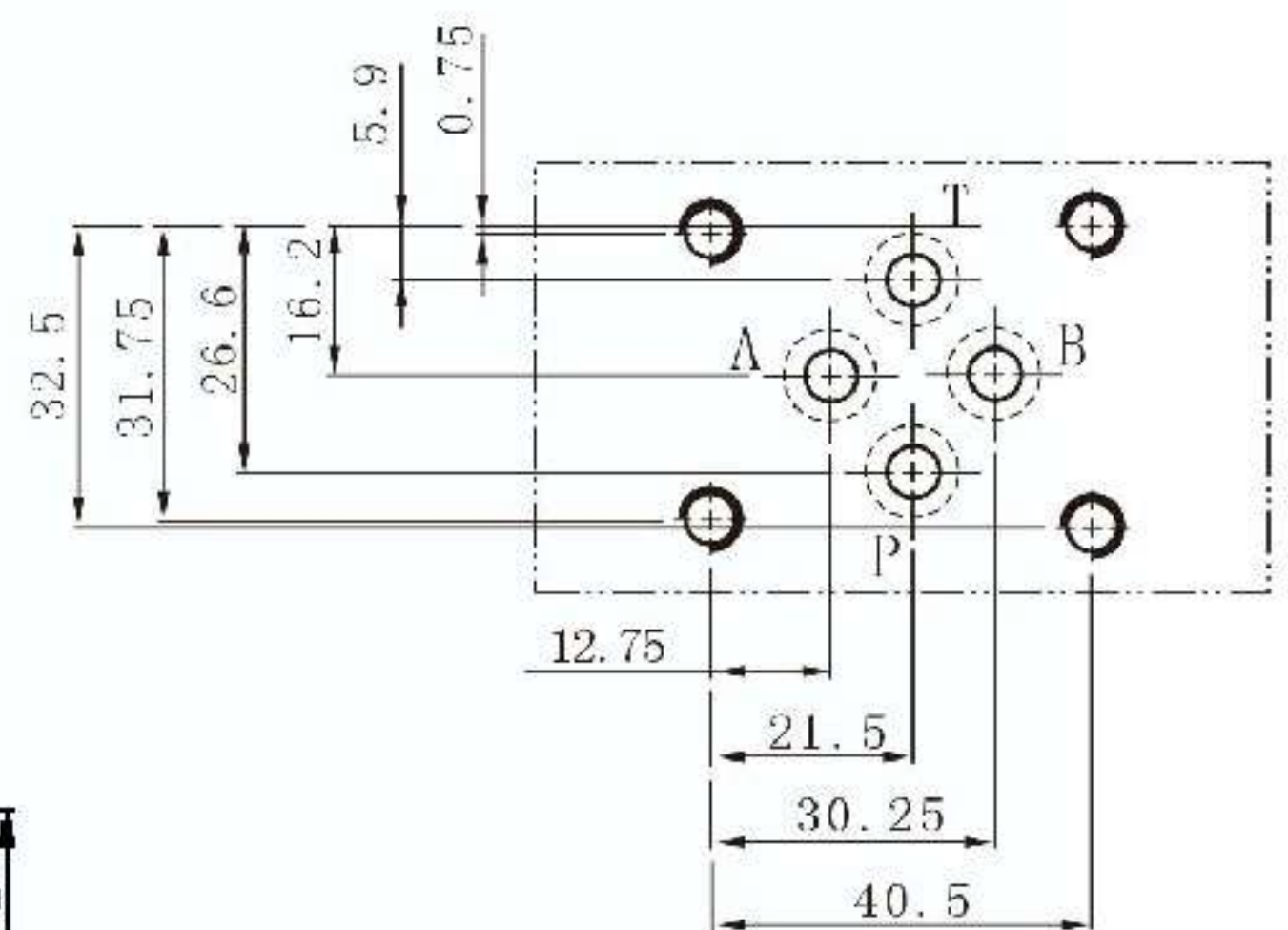
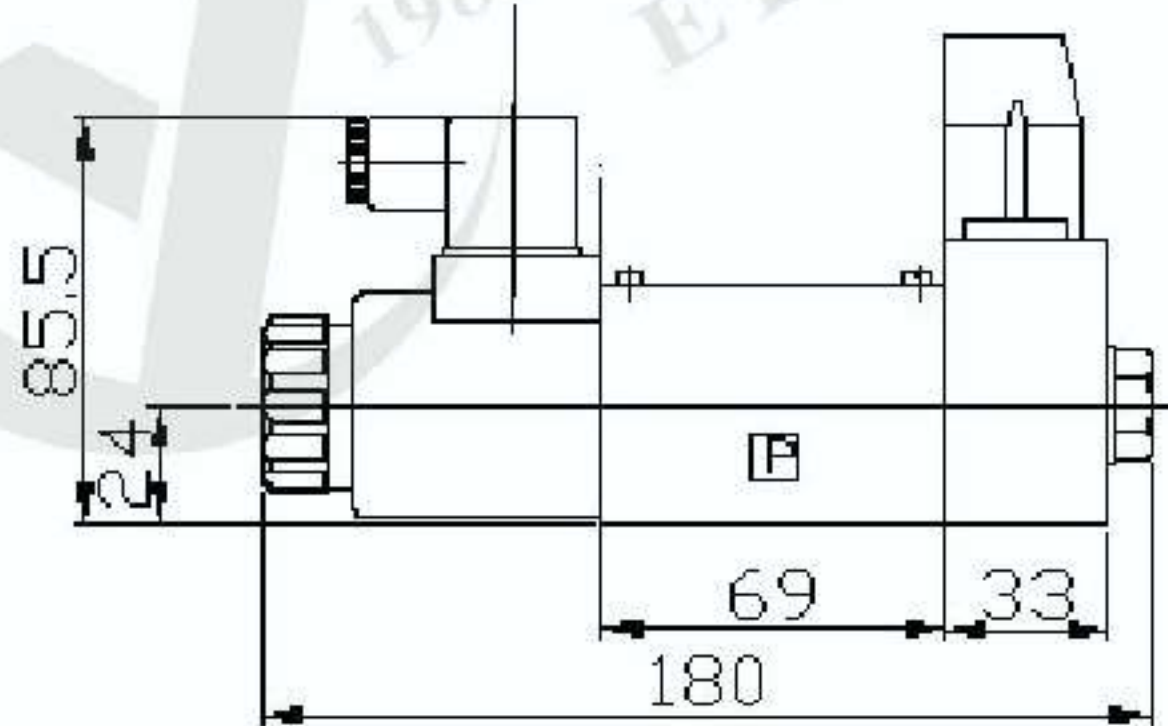
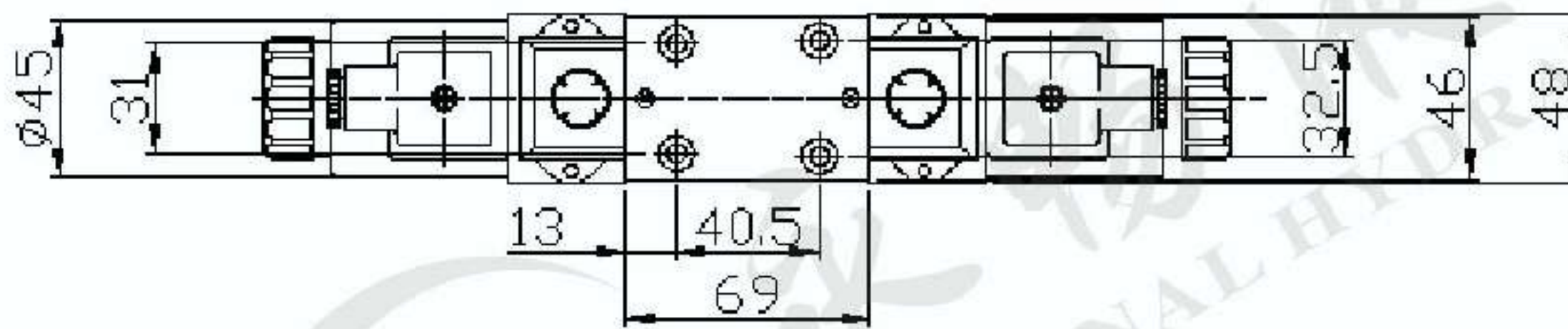
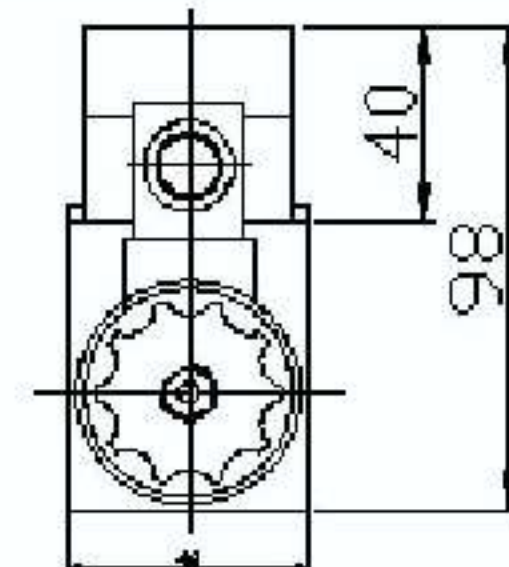
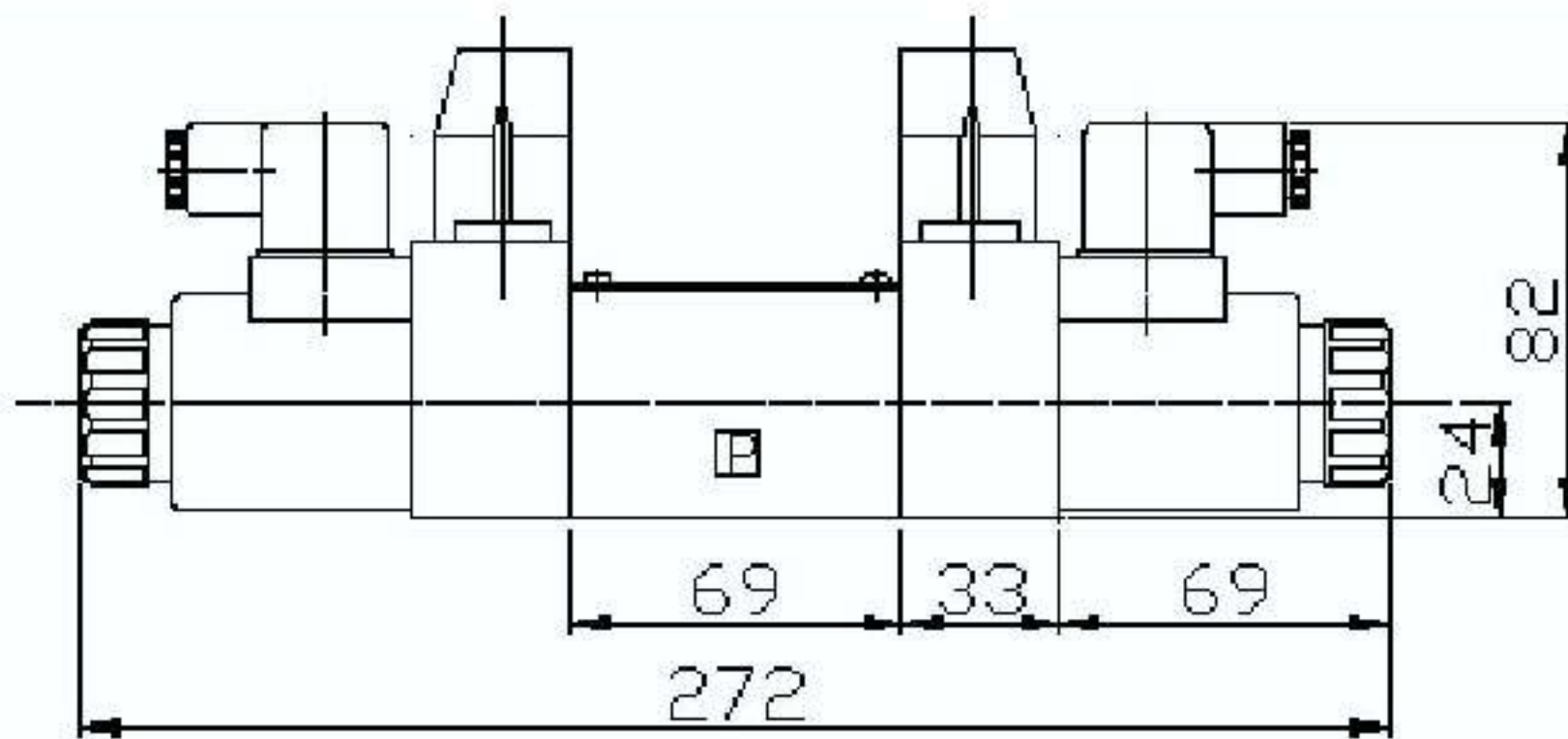
Symbol list



Dimensions

Unit: mm

4WEJ6



Dimensions

Unit: mm

4WEJ10

