



型号说明 Model Code

EM	1	63	B	D31	72°
----	---	----	---	-----	-----

永畅系列曲轴连杆式低速大扭矩液压马达
Yongchang crankshaft and connecting rod low speed high torque hydraulic motor

系列
Series

名义排量 (ml/r)
Nominal displacement (ml/r)

输出轴形式

1. 无字母表示标准矩形花键轴 (以外径定心) 。
2. B表示平键轴：注脚数字表示同BM型摆线液压马达或其他品牌对应型号安装尺寸相同 (带过渡法兰板) 。
3. I表示内花键轴 (以内径定心)：注脚数字表示与QJM系列安装尺寸相同 (带过渡法兰板) 。

Form of output shaft

1. Omit---standard rectangular spline shaft (the center is up to exterior diameter).
2. B---Flat key shaft: Footnote number---the installation dimension is the same as BM motors series model (with flange).
3. I--- Internal spline shaft (the center is up to interior diameter). Footnote number---the installation dimension is the same as QJM series motors(with Flange).

未写明表示马达安装孔位置与样本中图示一致

“左偏”表示在无法兰连接的情况下其中一个安装孔在正下方 (即马达安装时的一只角朝下)

“右偏”表示在无法兰连接的情况下其中一只安装孔在正上方 (即马达安装时的一只角朝下)

Omit-mounting hole position, same as illustrated

“Left deviation” indicates that one mounting hole is right below it when there is no flange. (I.e.: two corners face downward when installing the motor.)

“Right deviation” indicates that one mounting hole is right above it when there is no flange. (I.e.:one corners face upward when installing the moter.)

配油器种类。订货时若不注明，则按标准配置 (见各系列马达安装联接尺寸图) 如有特殊需要，请在订货时注明。

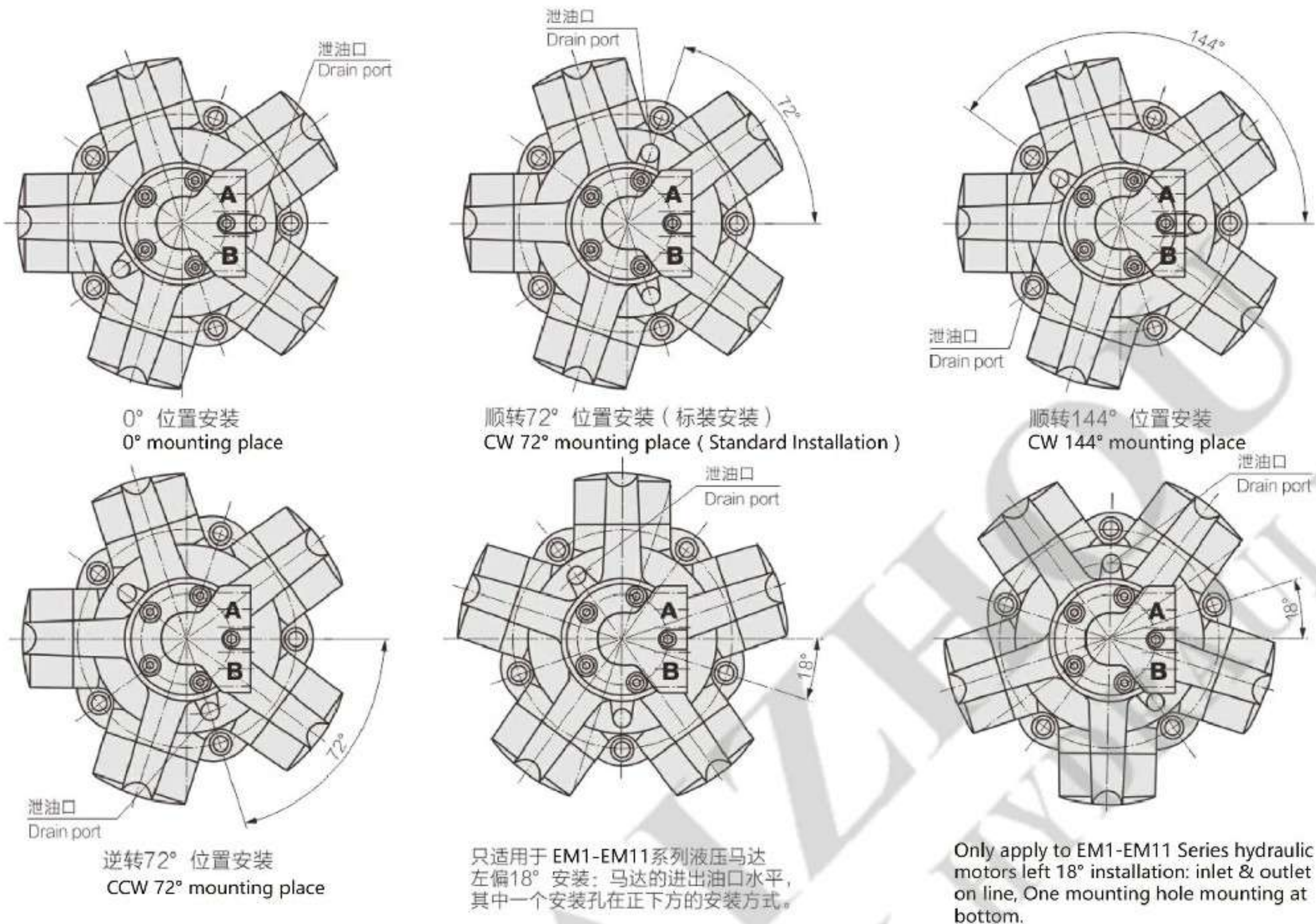
Distributor Type: No marked, standard.

If you have special requirements, please mark your requirements in the order.

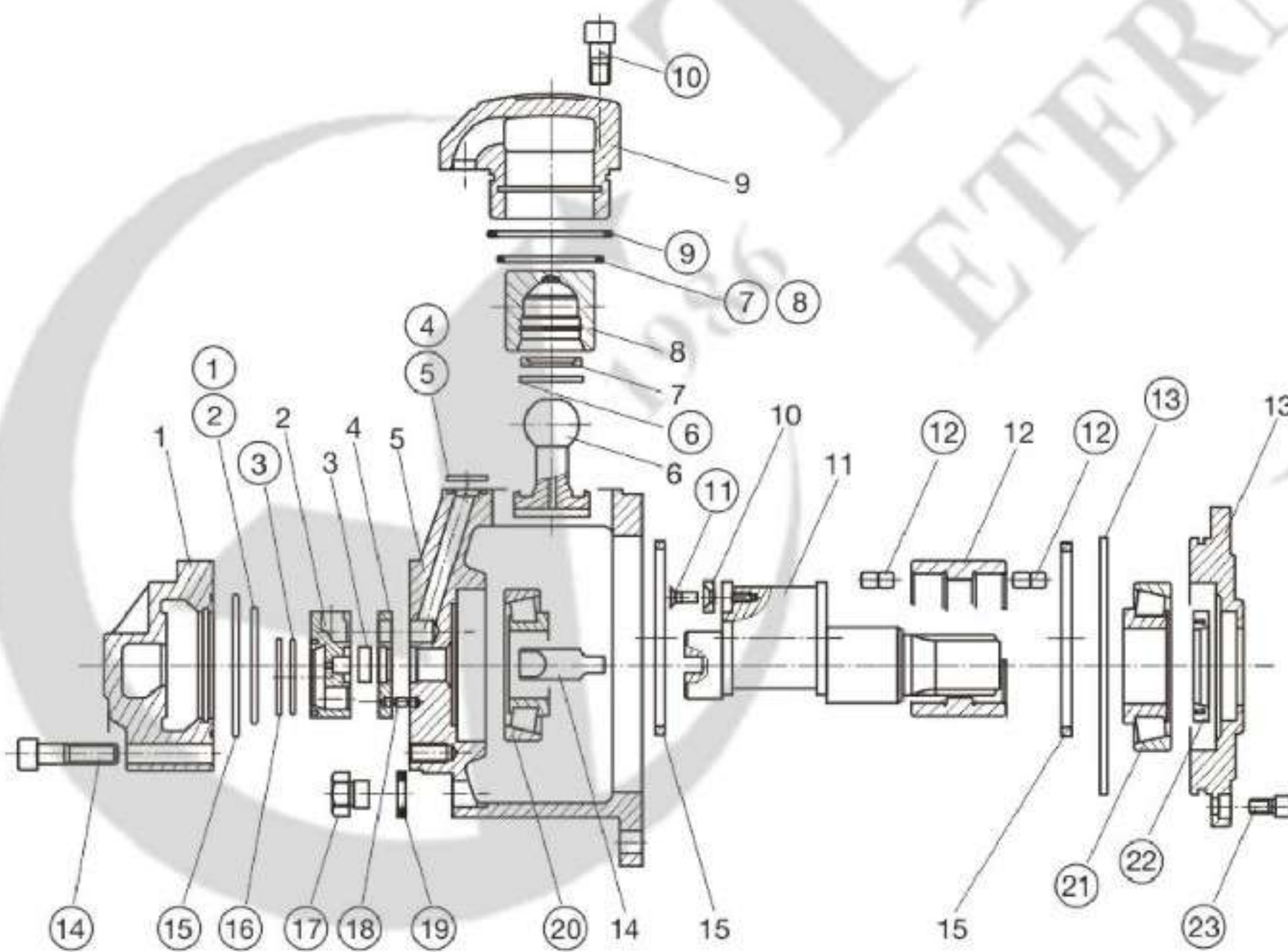
“左偏” “右偏”只适用于EM2-EM11系列马达，且进出油口处水平位置 (与图示一样)

“Left deviation” and “Right deviation” are only applicable for EM2~EM11 series of motors, and oil inlet and outlet are horizontal. (Same as illustrated)

EM系列液压马达安装示意图 EM Hydraulic Motor Install Chart



EM液压马达结构图 EM Hydraulic Motor Structure Chart



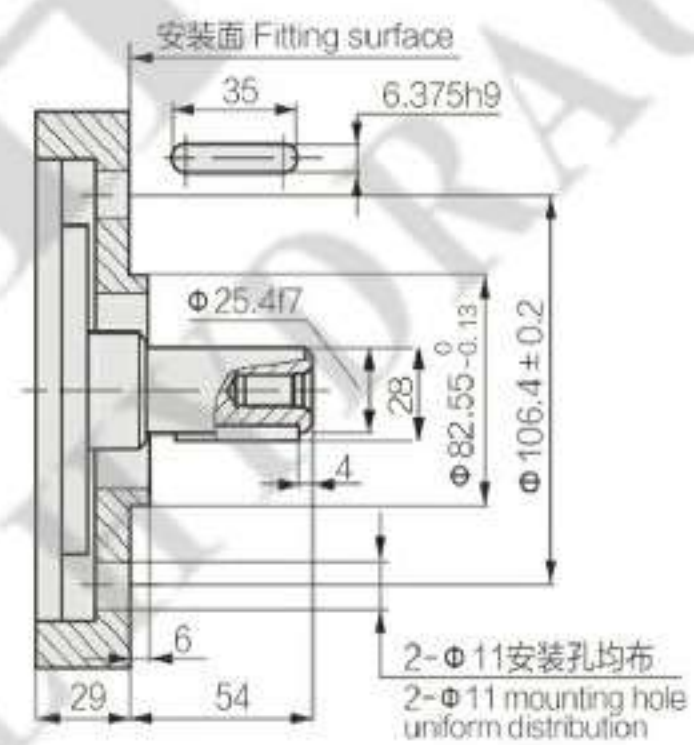
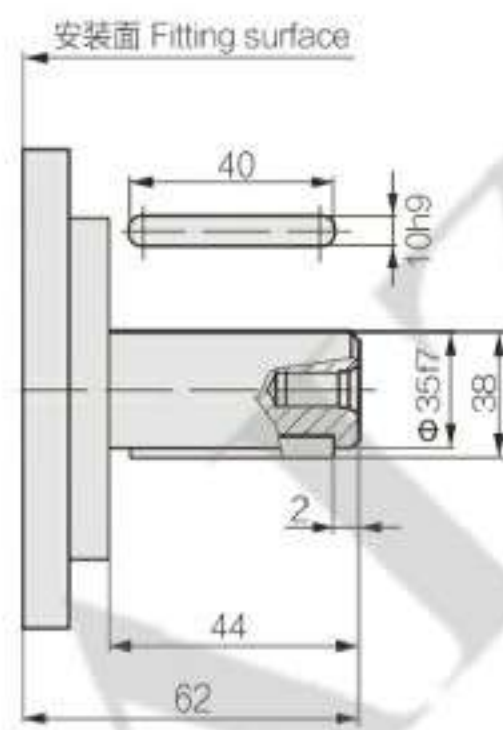
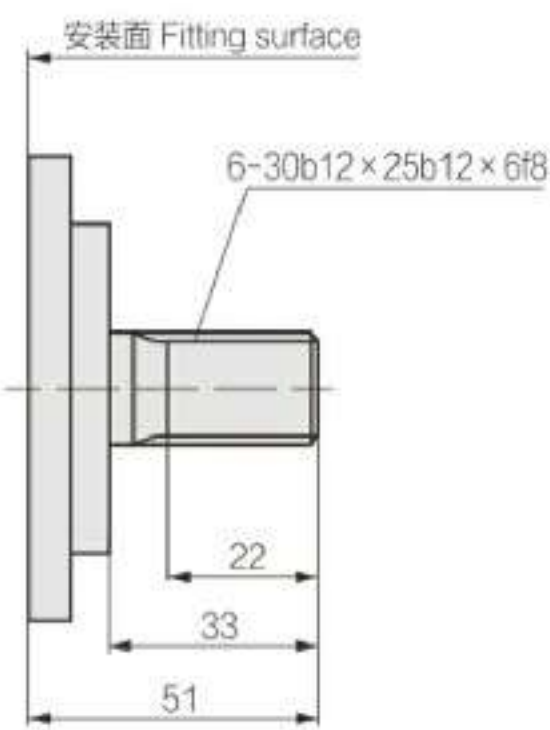
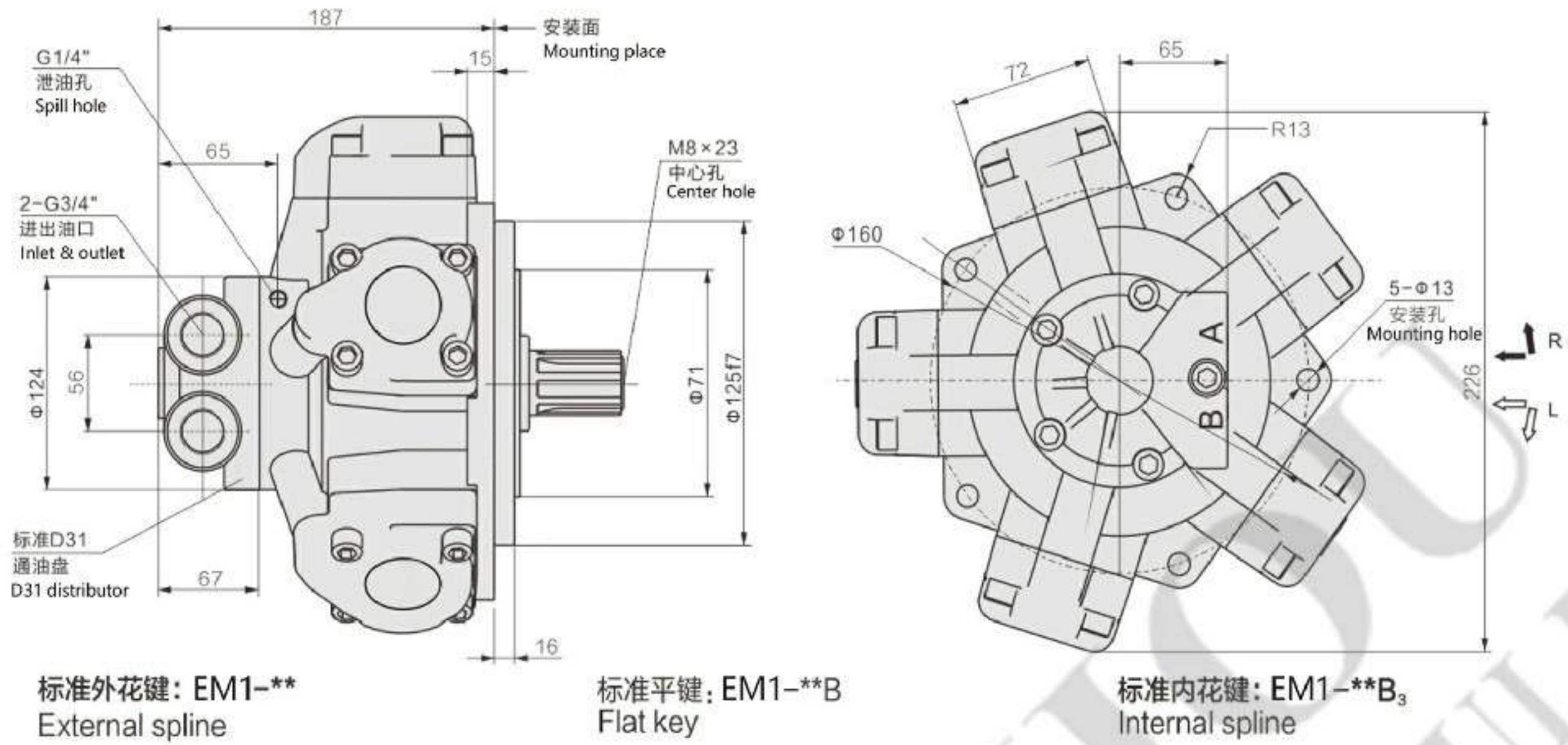
序号 NO.	零件名称 Name	序号 NO.	零件名称 Name
①	密封环 Seal	⑬	“O”型圈 “O” Ring
②	“O”型圈 “O” Ring	⑭	内六角螺钉 Socket head cap screws
③	“O”型圈 “O” Ring	⑮	“O”型圈 “O” Ring
④	密封环 Seal	⑯	密封环 Seal
⑤	“O”型圈 “O” Ring	⑰	堵头 Oil stopper
⑥	孔用弹性挡圈 Circlips for holes	⑱	定位圆柱销 Parallel pin
⑦	密封环 Cylinder seal	⑲	组合垫圈 Washer
⑧	“O”型圈 “O” Ring	⑳	后轴承 Bearing
⑨	“O”型圈 “O” Ring	㉑	前轴承 Bearing
⑩	内六角螺钉 Socket head cap screws	㉒	油封 Shaft seal
⑪	十字槽螺钉 Cross recessed head screws	㉓	内六角螺钉 Socket head cap screws
⑫	滚柱 Rollers		

序号 NO.	1	2	3	4	5	6	7	8	9	10	11	12	13	14	15
零件名称 Name	通油盘 Distributor	配油盘 Oil pan	定位环 Bush	垫块 Disc	壳体 Motor body	连杆 Link rod	挡圈 Check ring	柱塞体 Piston	柱塞套 Oyl inder	滚柱封块 Press board for rollers	曲轴 crank shaft	轴承套 Support ring	封盖 Flange	双头键 Drive pin	卡环 Retaining ring

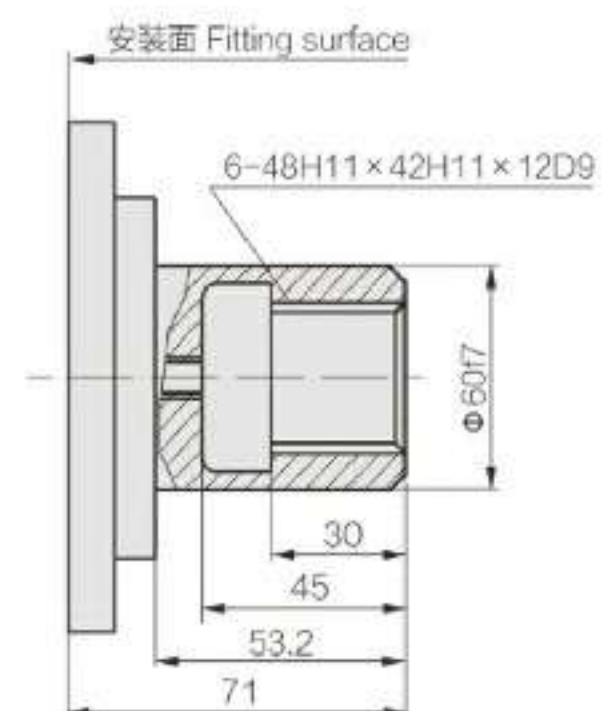
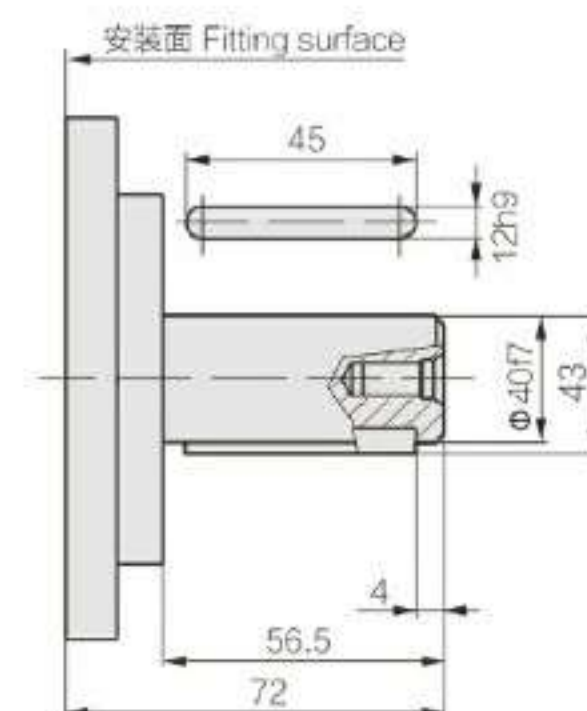
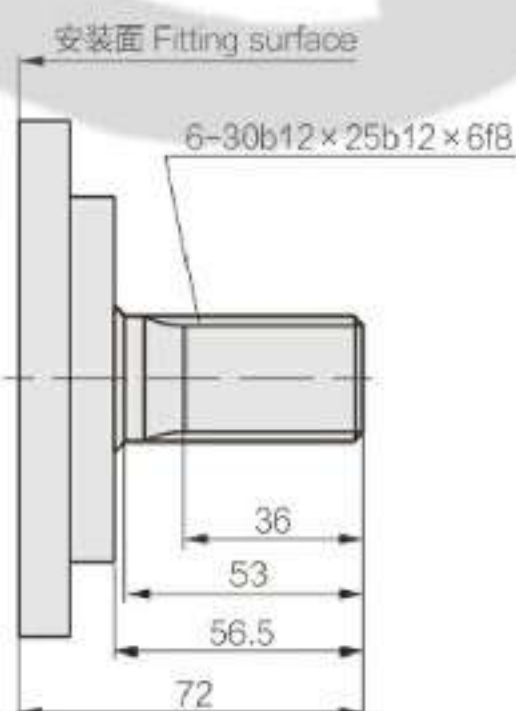
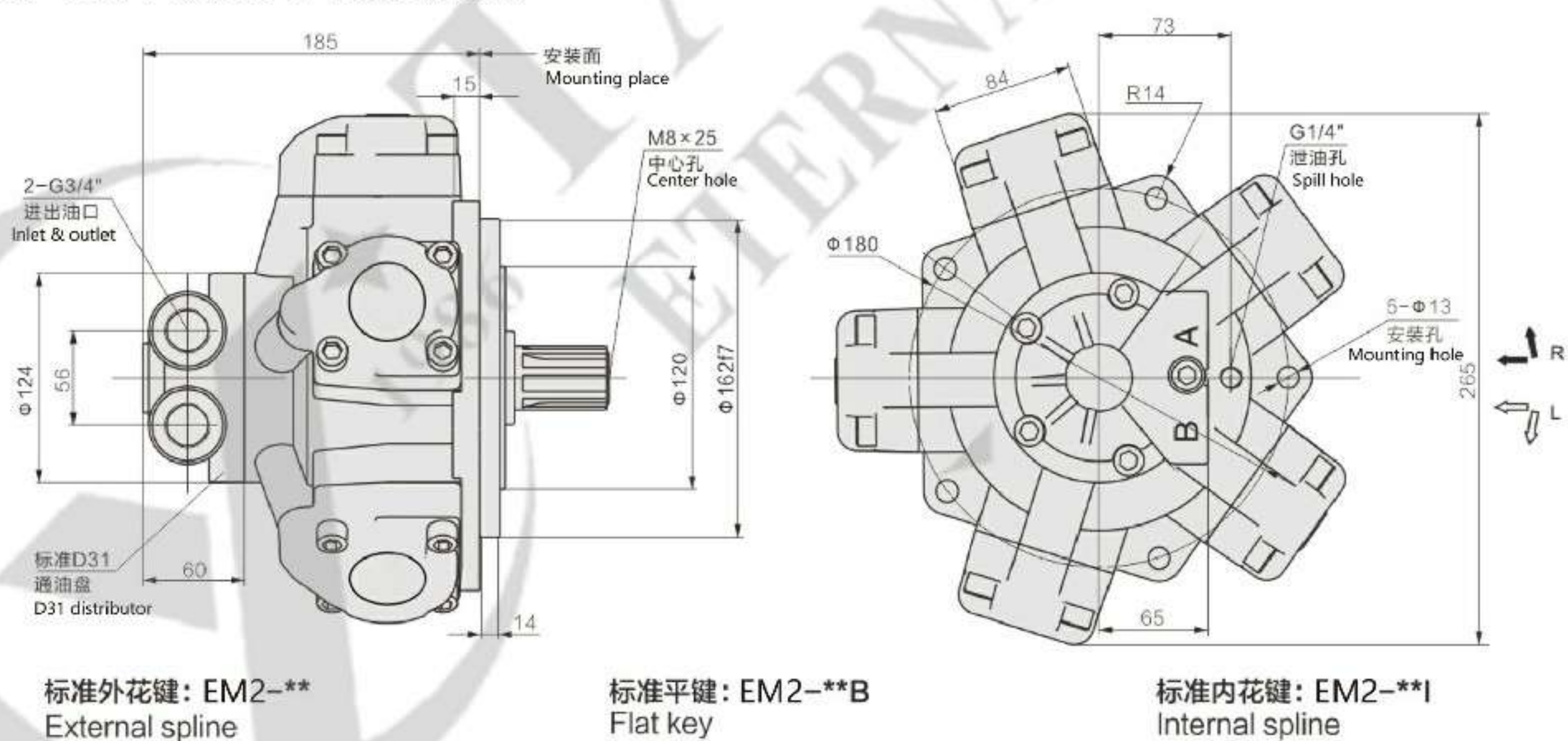
■ 技术参数 Technical Data

型号 Model	排量 Displacement (ml/r)	额定压力 Rated Pressure (Mpa)	尖峰压力 Peak Pressure (Mpa)	额定扭矩 Rated Torque (N.m)	单位理论扭矩 Theoric Specific (N.m/Mpa)	转速范围 Speed Range (r/min)	重量 Weight (kg)
EM1-63	77	25	32	284	11	15~1500	20
EM1-80	91	25	32	335	13	15~1250	20
EM1-100	96	25	32	355	14	15~1000	20
EM1-110	113	25	32	419	17	15~1000	20
EM1-125	126	20	25	371	19	15~1000	20
EM1-140	138	20	25	410	20	15~1000	20
EM1-160	159	16	20	376	24	15~1000	20
EM1-200	196	16	20	464	29	15~800	20
EM2-100	113	25	32	419	17	15~1250	27
EM2-125	138	25	32	512	20	15~1250	27
EM2-150	159	25	32	588	24	15~1000	27
EM2-175	180	20	25	532	27	15~1000	27
EM2-200	207	20	25	611	31	8~800	27
EM2-250	235	16	20	556	35	8~630	27
EM2-280	276	16	20	653	41	8~500	27
EM3-175	181	25	32	670	27	8~1000	35
EM3-200	201	25	32	743	30	8~800	35
EM3-220	222	25	32	819	33	8~800	35
EM3-250	254	20	25	752	38	8~630	35
EM3-300	289	20	25	856	43	6~500	35
EM3-350	340	20	25	1000	50	6~400	35
EM3-400	380	18	22.5	1008	56	6~350	35
EM6-400	397	25	32	1469	59	5~630	57.5
EM6-450	452	25	32	1672	67	5~630	57.5
EM6-500	491	20	25	1451	73	5~500	57.5
EM6-600	594	20	25	1756	88	4~500	57.5
EM6-700	683	16	20	1616	101	4~400	57.5
EM6-750	754	16	20	1785	112	4~320	57.5
EM8-600	617	25	32	2282	91	4~500	72
EM8-700	710	25	32	2626	105	4~400	72
EM8-800	810	20	25	2396	120	4~400	72
EM8-900	889	20	25	2629	131	3~350	72
EM8-1000	1000	16	20	2366	148	3~300	72
EM11-700	707	25	32	2612	104	4~400	94
EM11-800	784	25	32	2899	116	4~400	94
EM11-900	894	25	32	3306	132	4~400	94
EM11-1000	981	20	25	2902	145	3~320	94
EM11-1100	1104	20	25	3265	163	3~320	94
EM11-1200	1234	16	20	2919	182	3~320	94
EM11-1300	1301	16	20	3079	192	3~250	94
EM16-1400	1413	25	32	5224	209	2~400	170
EM16-1600	1648	20	25	4874	244	2~400	170
EM16-1800	1815	20	25	5367	268	2~350	170
EM16-2000	2035	18	22.5	5416	301	2~350	170
EM16-2400	2267	16	20	5364	335	2~250	170
EM31-2500	2553	25	32	9438	378	2~200	298
EM31-2800	2683	20	25	7935	397	1~200	298
EM31-3000	3063	20	25	9057	453	1~200	298
EM31-3150	3218	20	25	9518	476	1~160	298
EM31-3500	3561	20	25	10530	527	1~160	298
EM31-4000	4153	18	22.5	11053	614	1~160	298
EM31-4500	4522	16	20	10698	669	1~160	298
EM31-5000	4828	16	20	11423	714	1~160	298
EM70-5000	4968	20	25	14626	731	1~160	550
EM70-5400	5452	20	25	16125	806	1~160	550
EM70-6000	5984	20	25	17697	885	0.5~125	550
EM70-6300	6540	18	22.5	17408	967	0.5~125	550
EM70-7000	7122	16	20	16849	1053	0.5~125	550

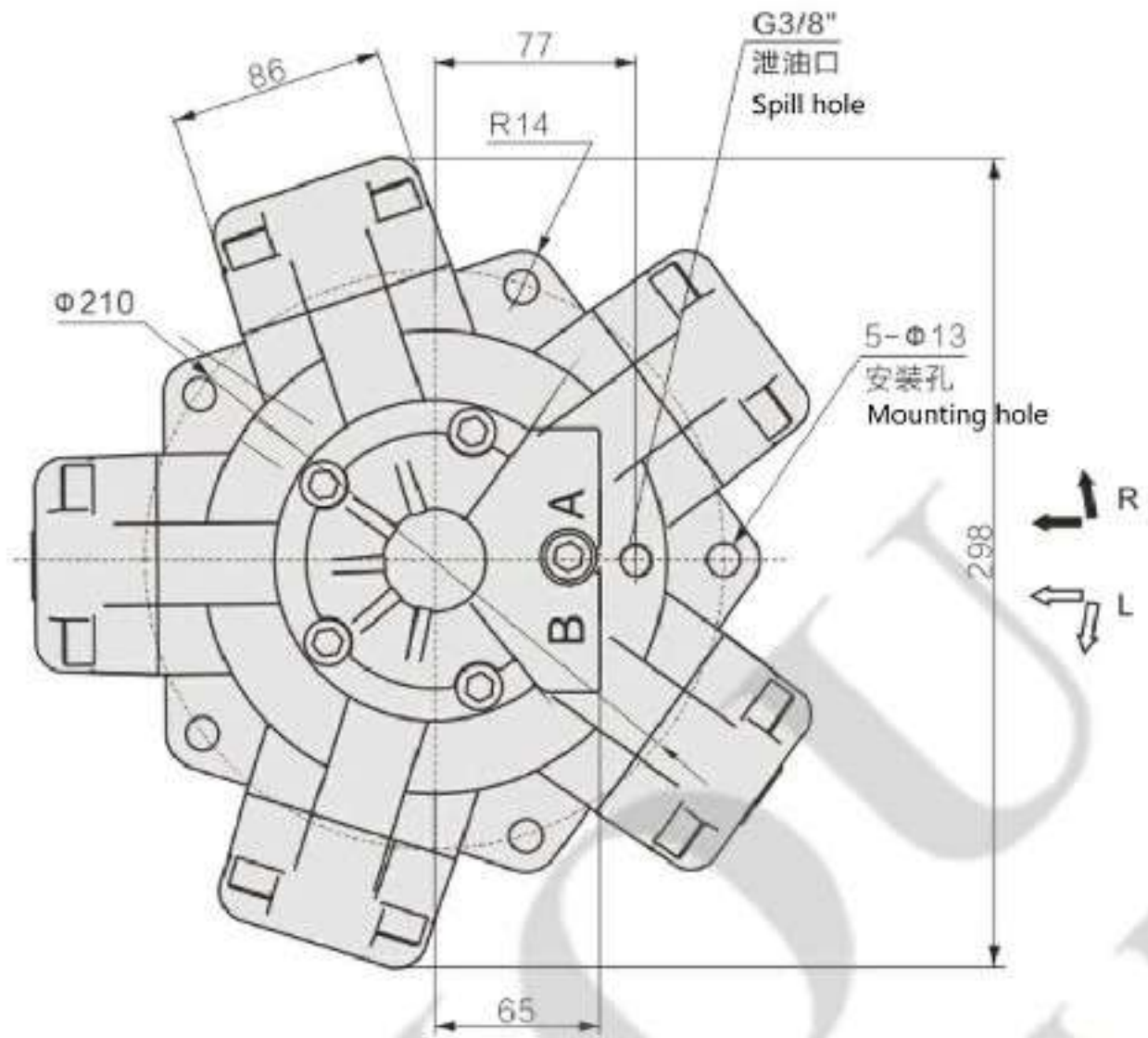
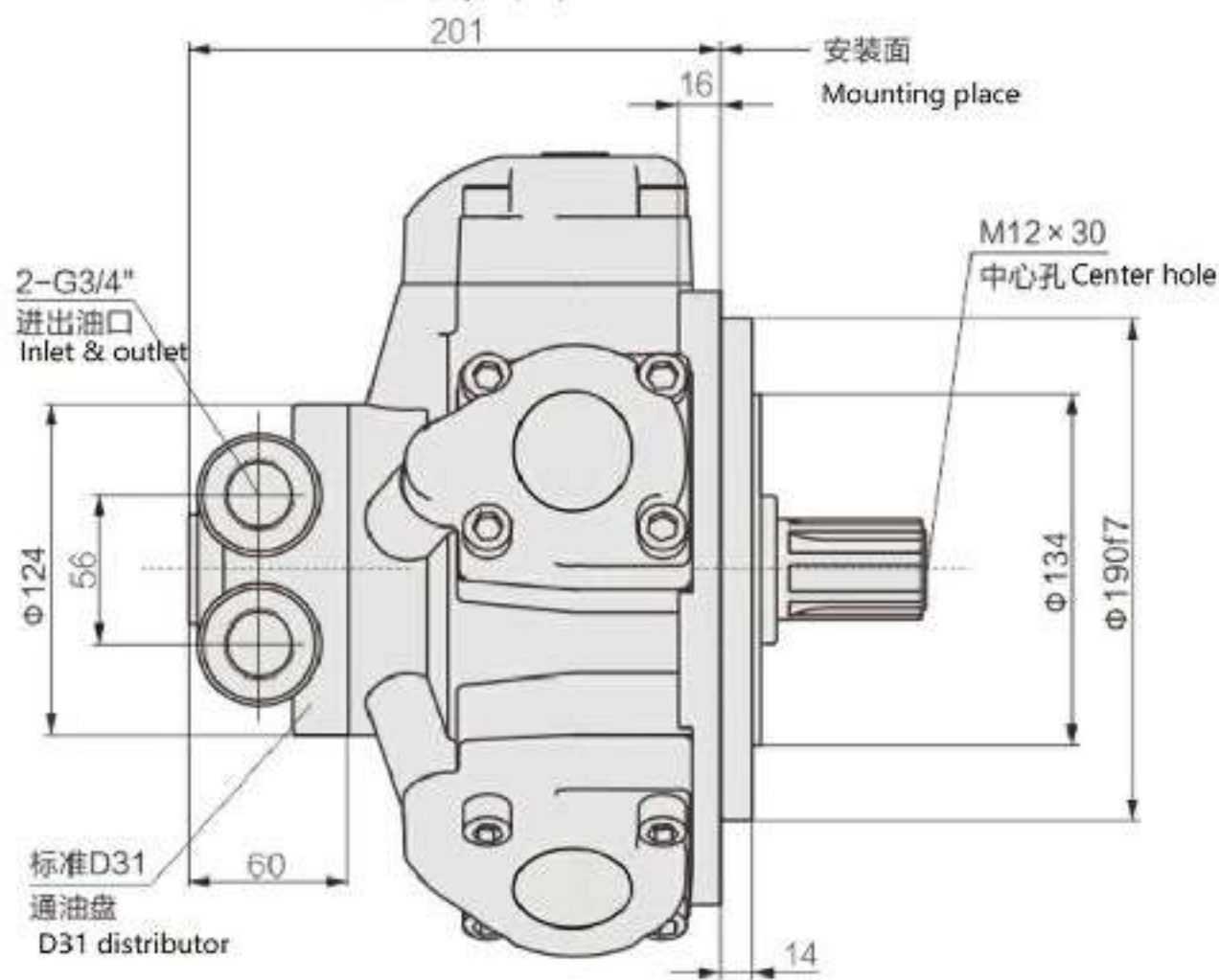
EM1-63~200外形尺寸 Dimension



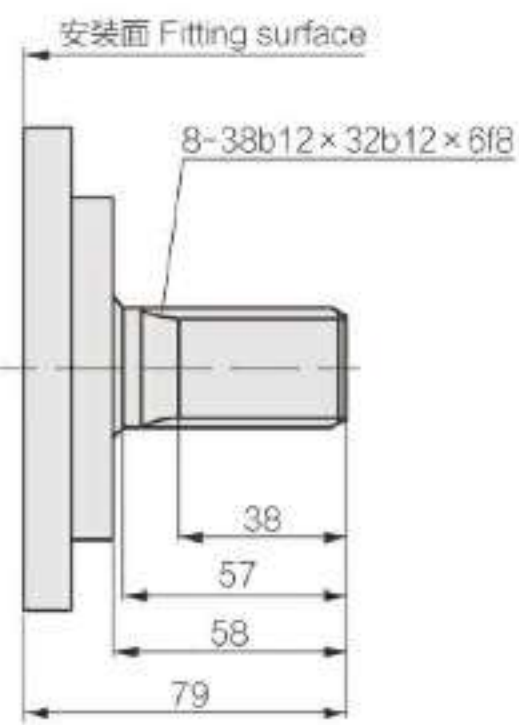
EM2-100~280外形尺寸 Dimension



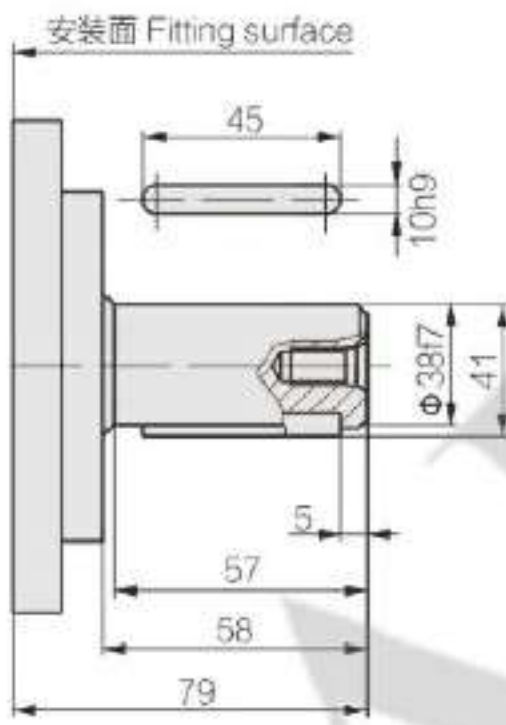
■ EM3-175~400 外形尺寸 Dimension



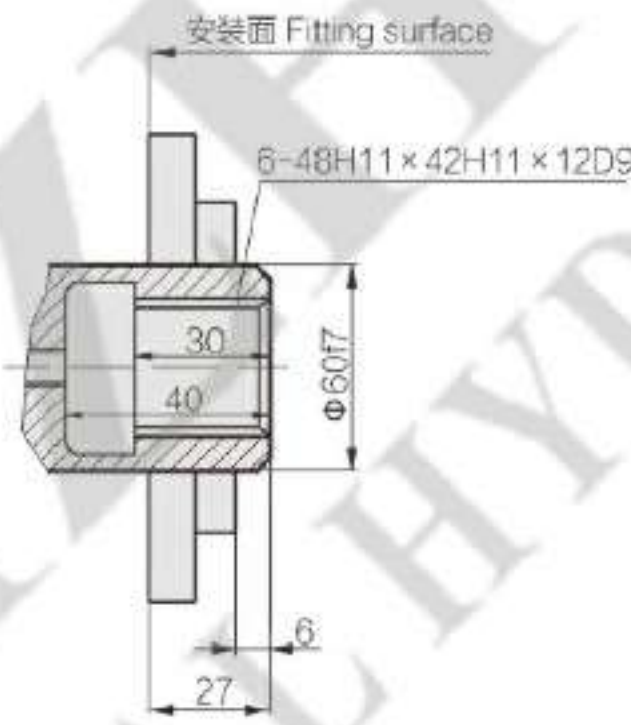
标准外花键: EM3-**
External spline



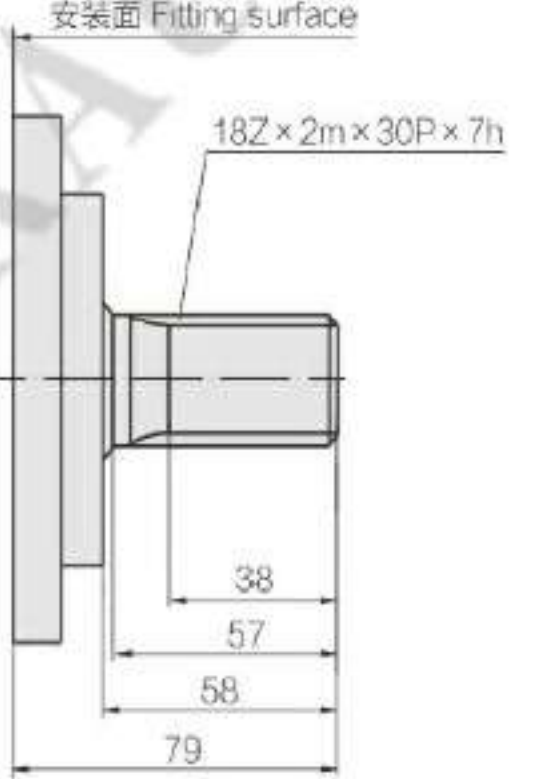
标准平键: EM3-**B
Flat key



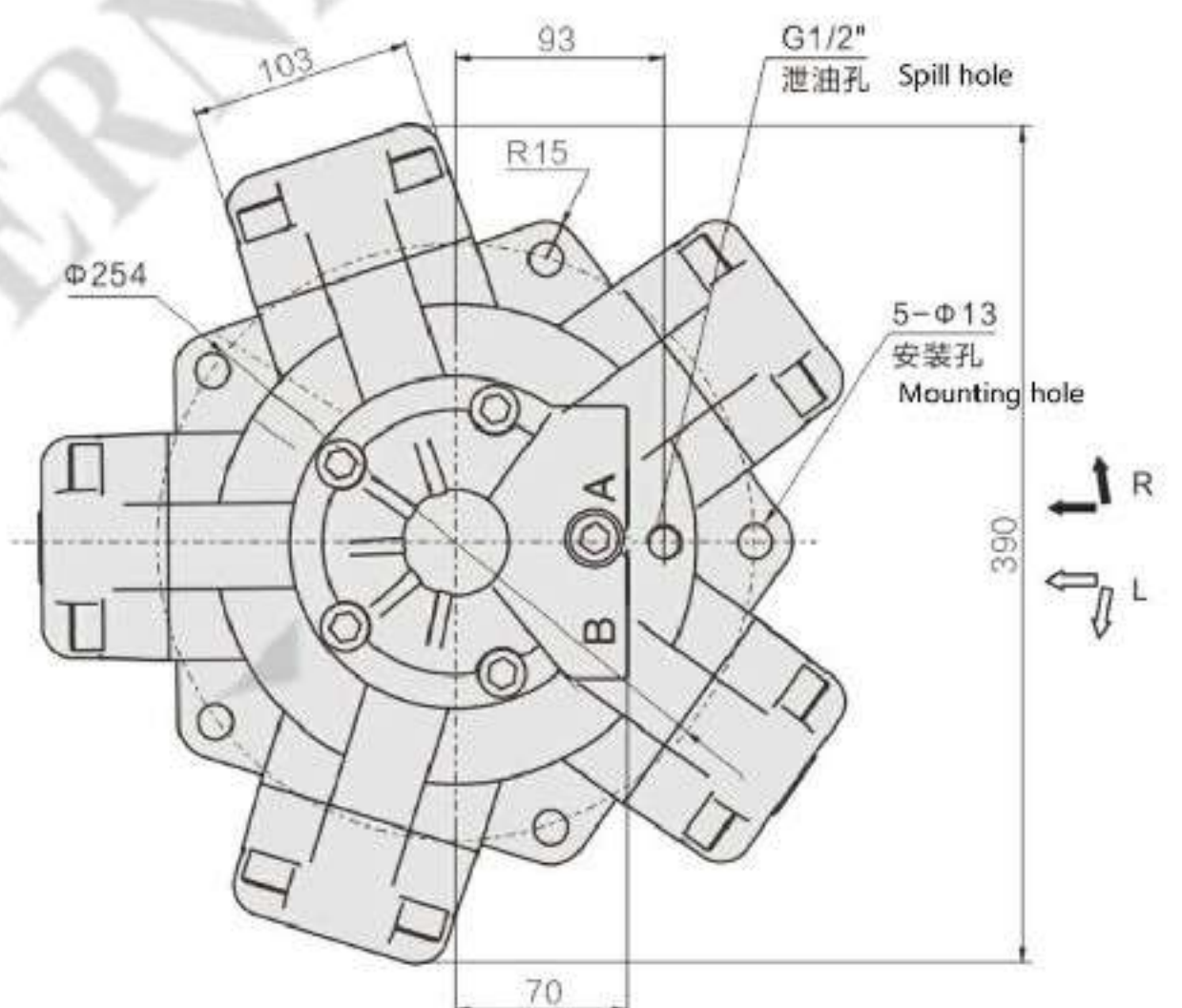
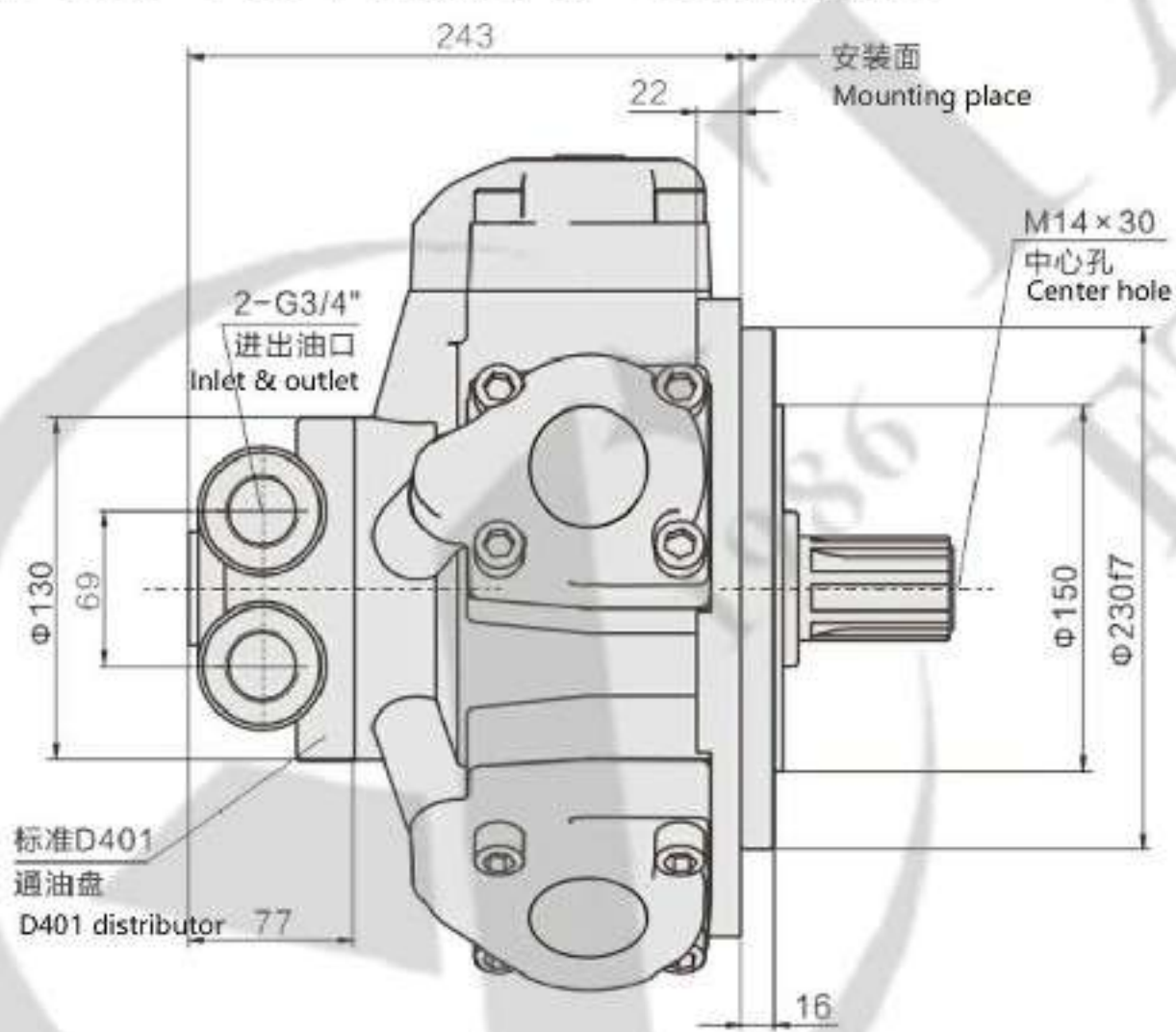
标准内花键: EM3-**I
Internal spline



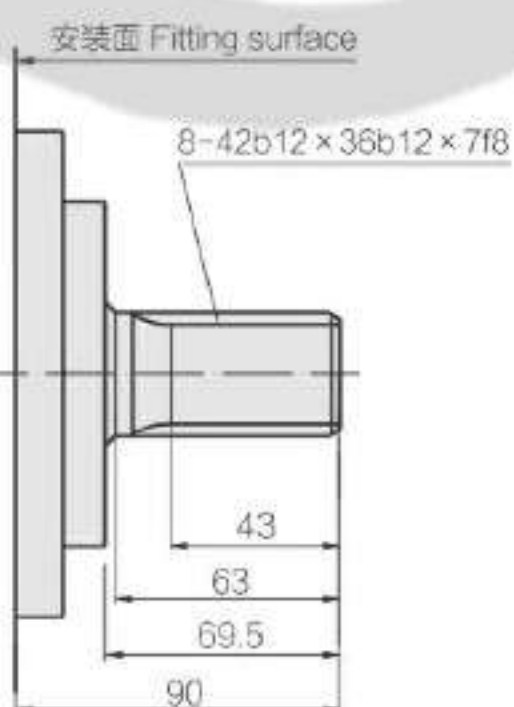
渐开线花键EM3-**A
Involute spline



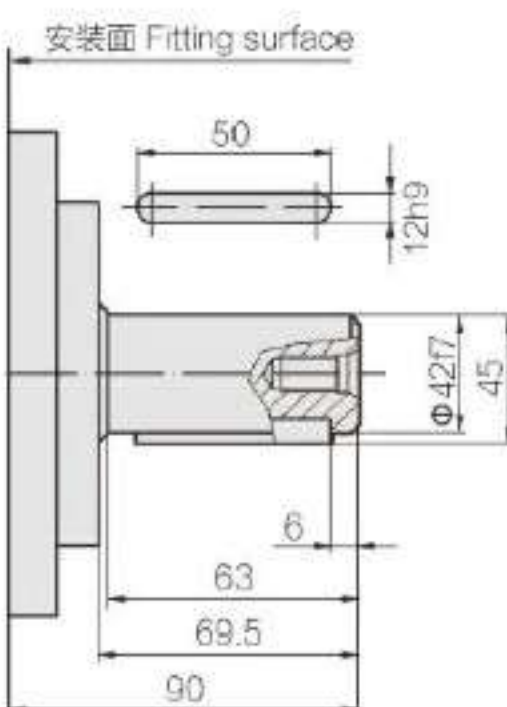
■ EM6-400~750 外形尺寸 Dimension



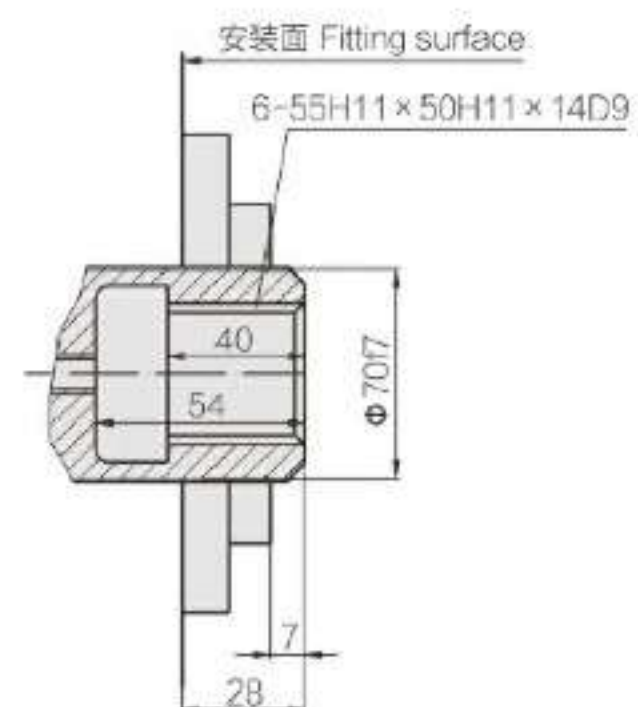
标准外花键: EM6-**
External spline



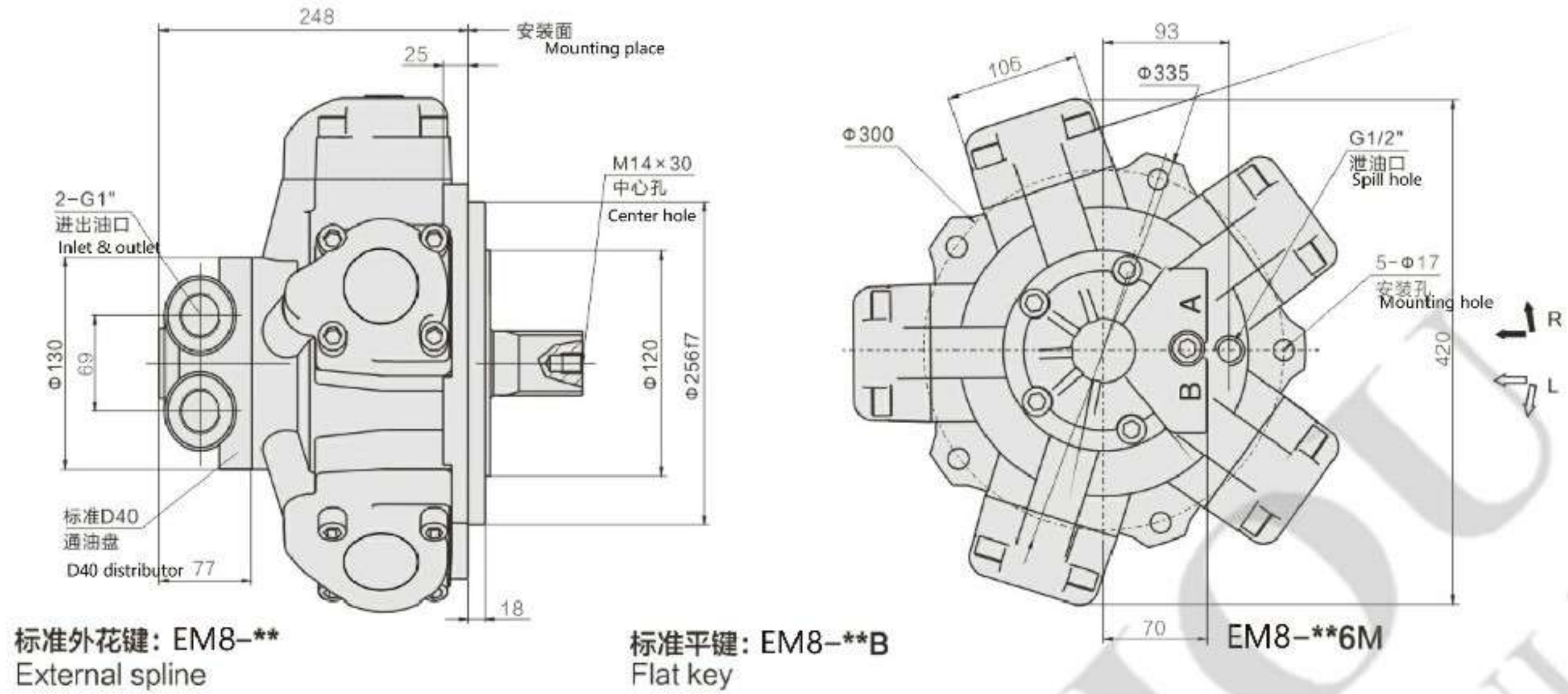
标准平键: EM6-**B
Flat key



标准内花键: EM6-**I
Internal spline

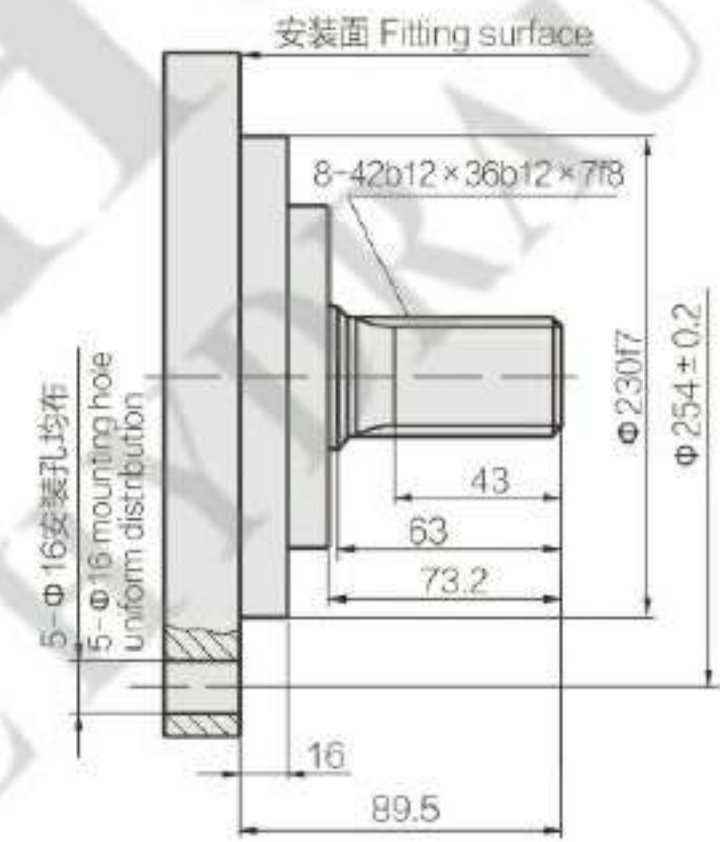
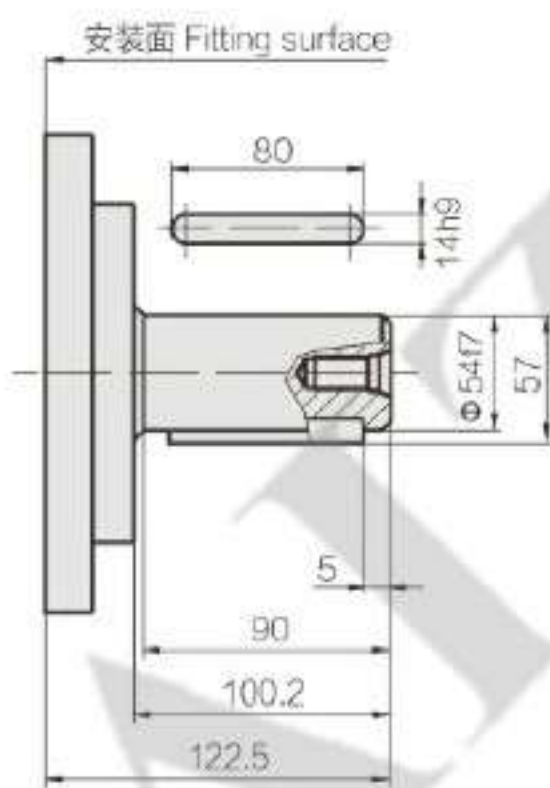
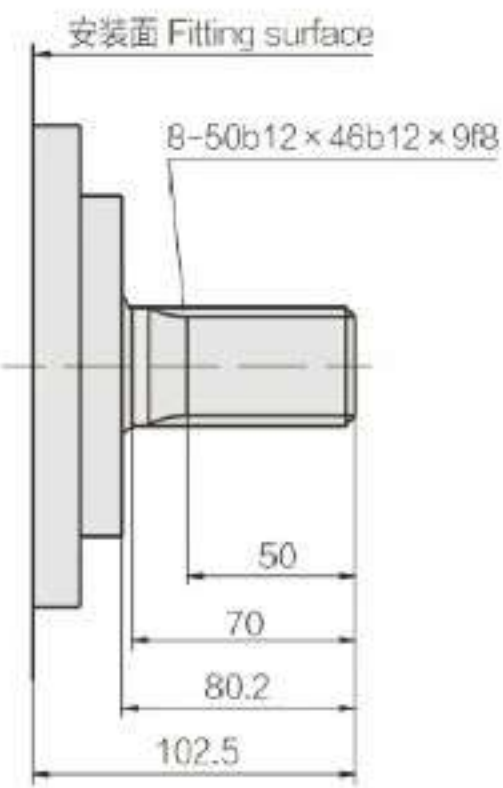


EM8-600~1000 外形尺寸 Dimension

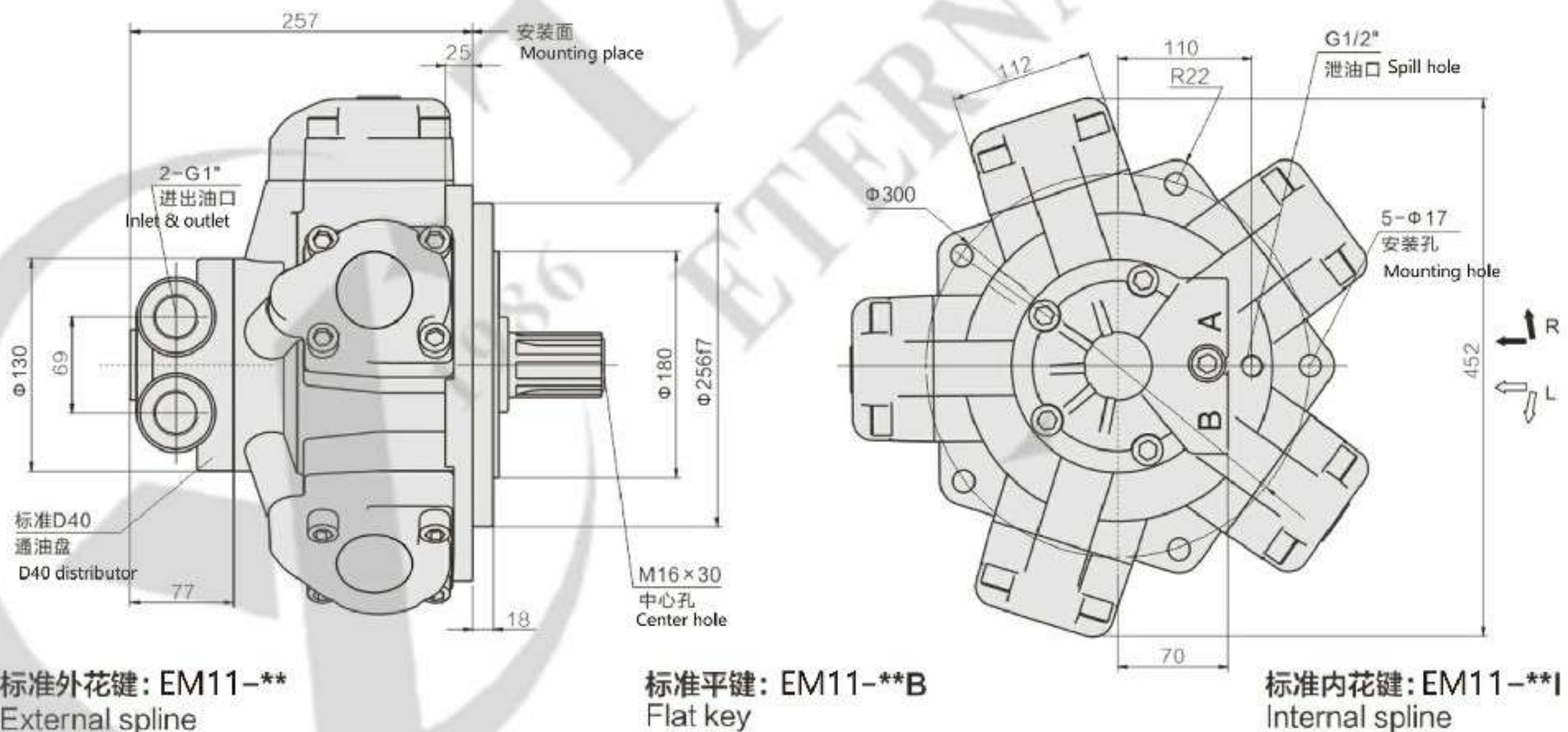


标准外花键: EM8-**
External spline

标准平键: EM8-**B
Flat key



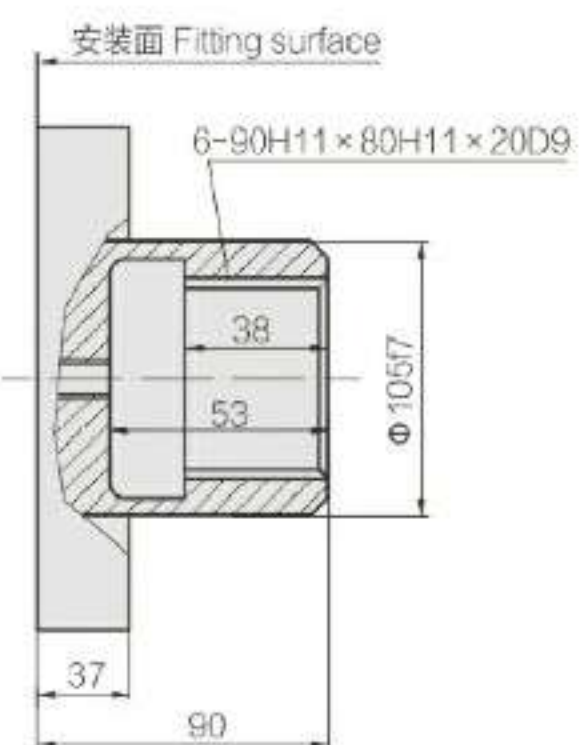
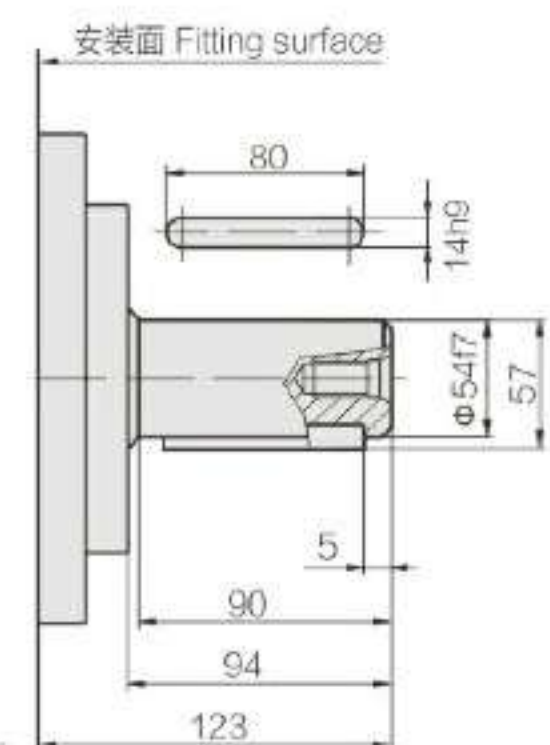
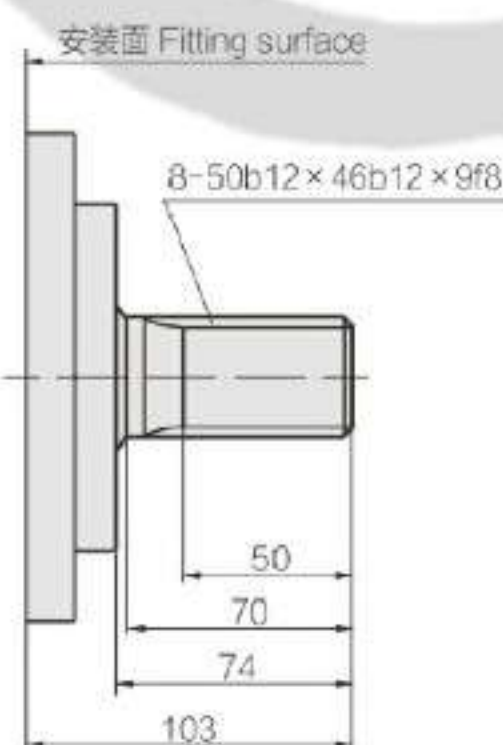
EM11-700~1300 外形尺寸 Dimension



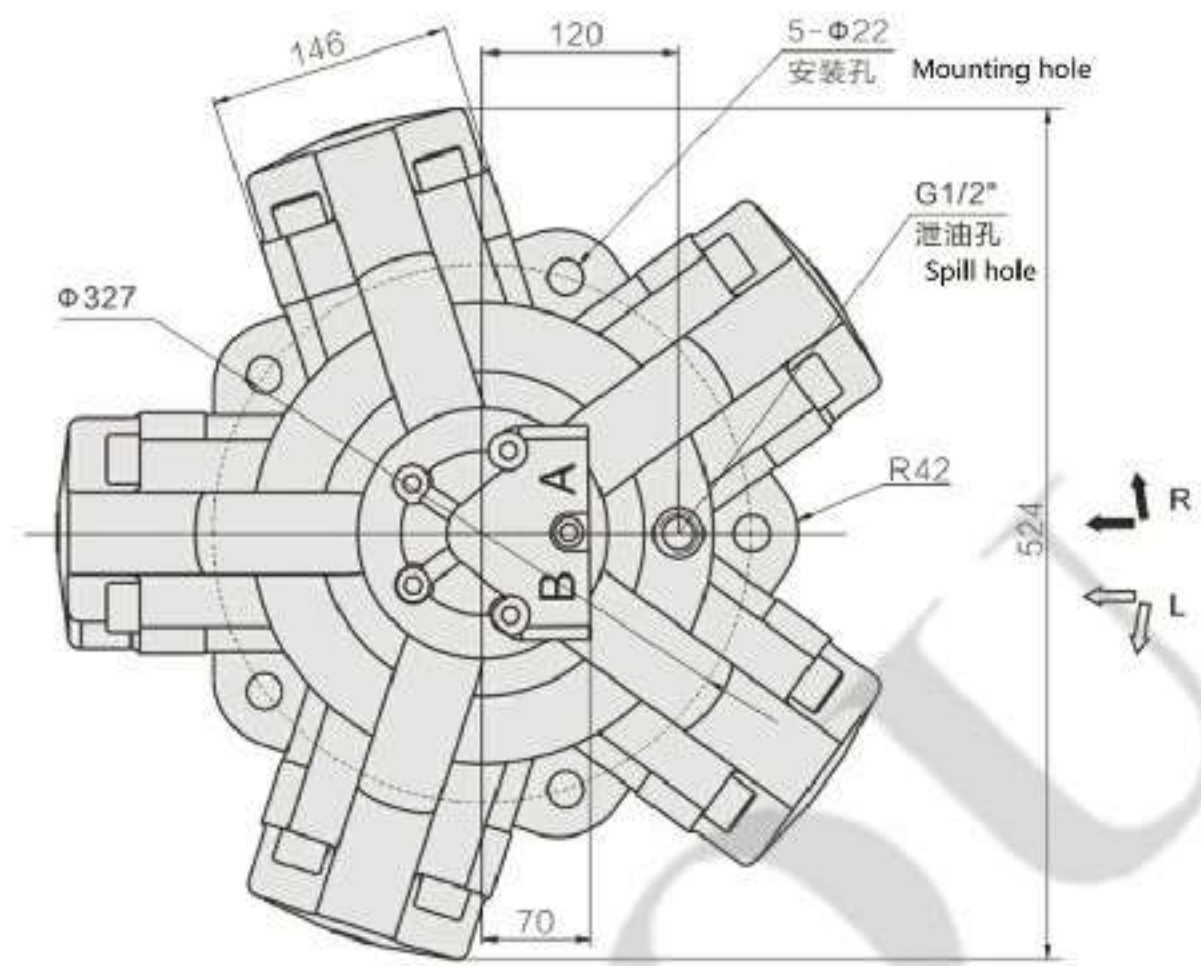
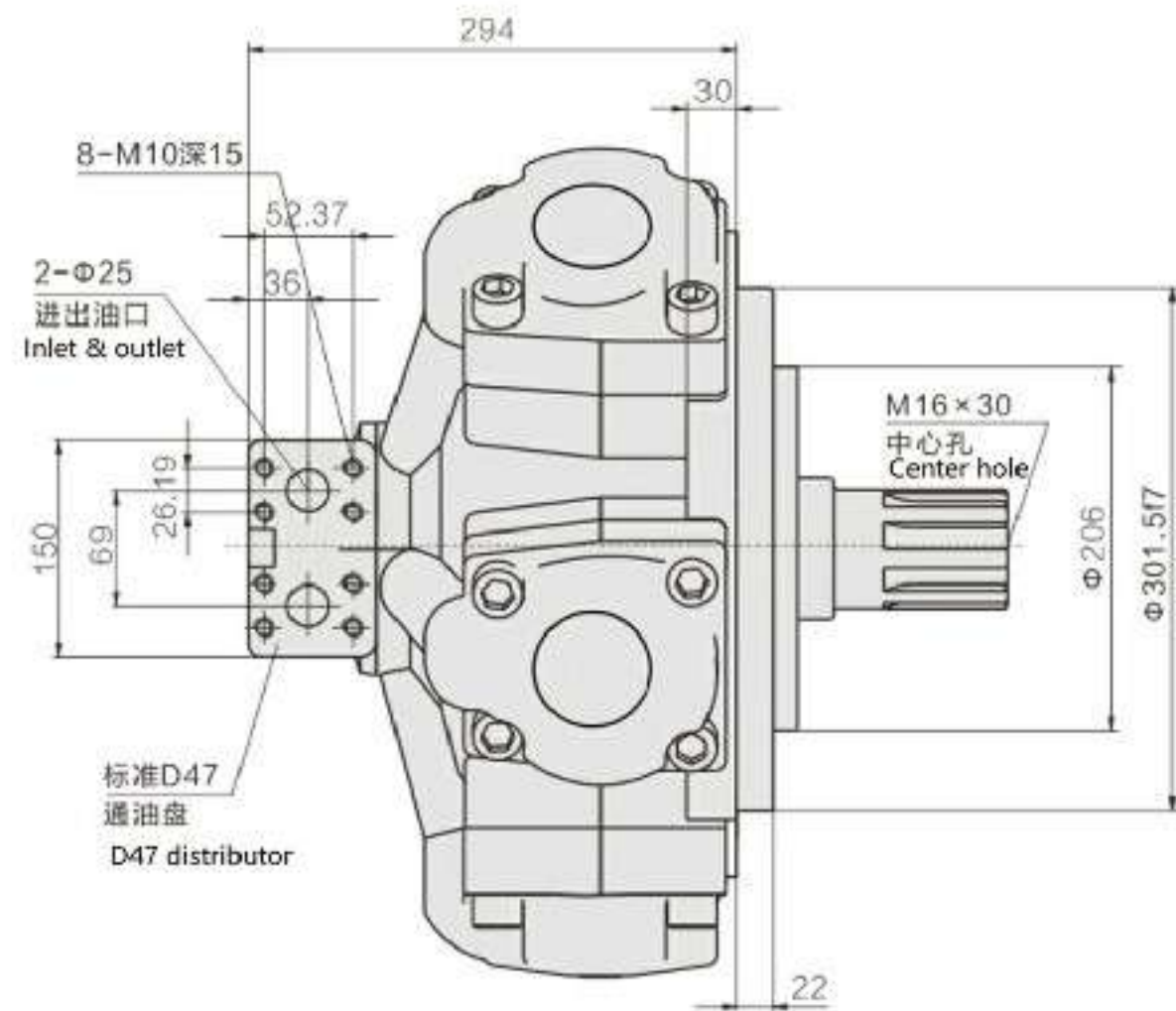
标准外花键: EM11-**
External spline

标准平键: EM11-**B
Flat key

标准内花键: EM11-***I
Internal spline



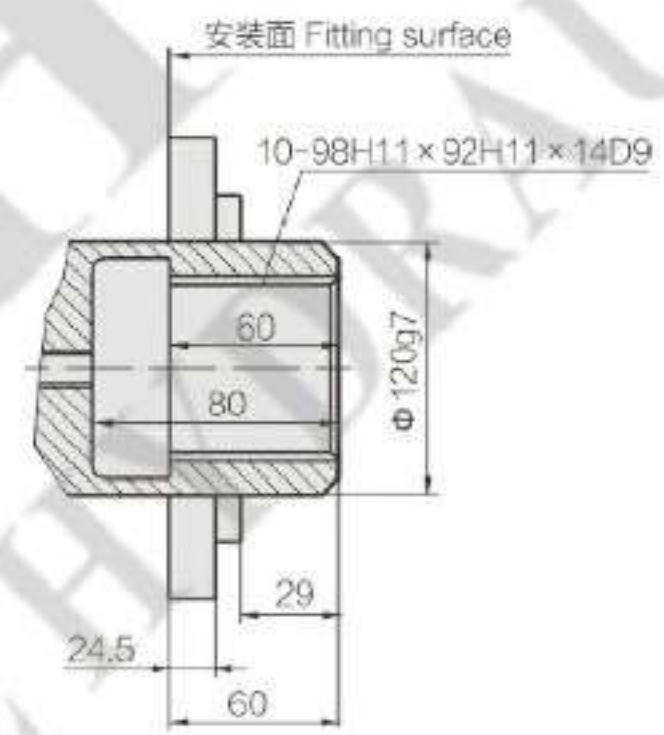
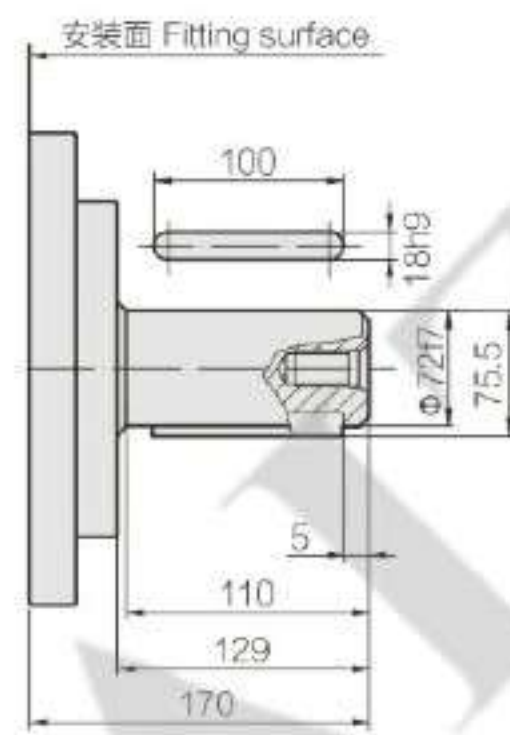
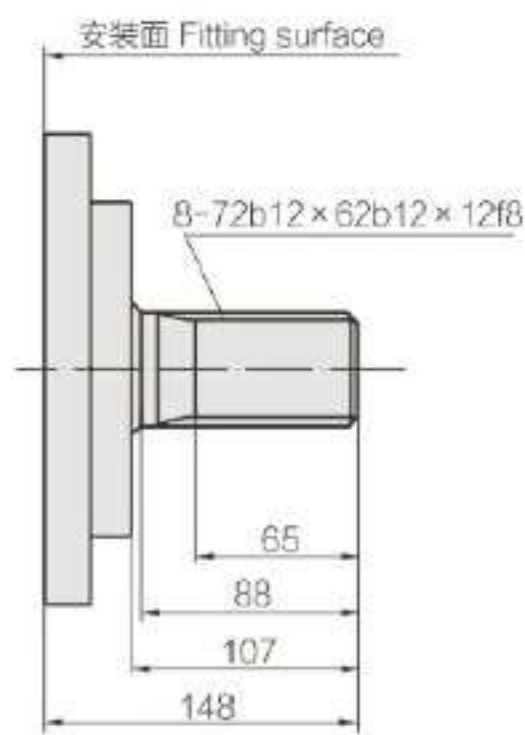
EM16-1400~2400 外形尺寸 Dimension



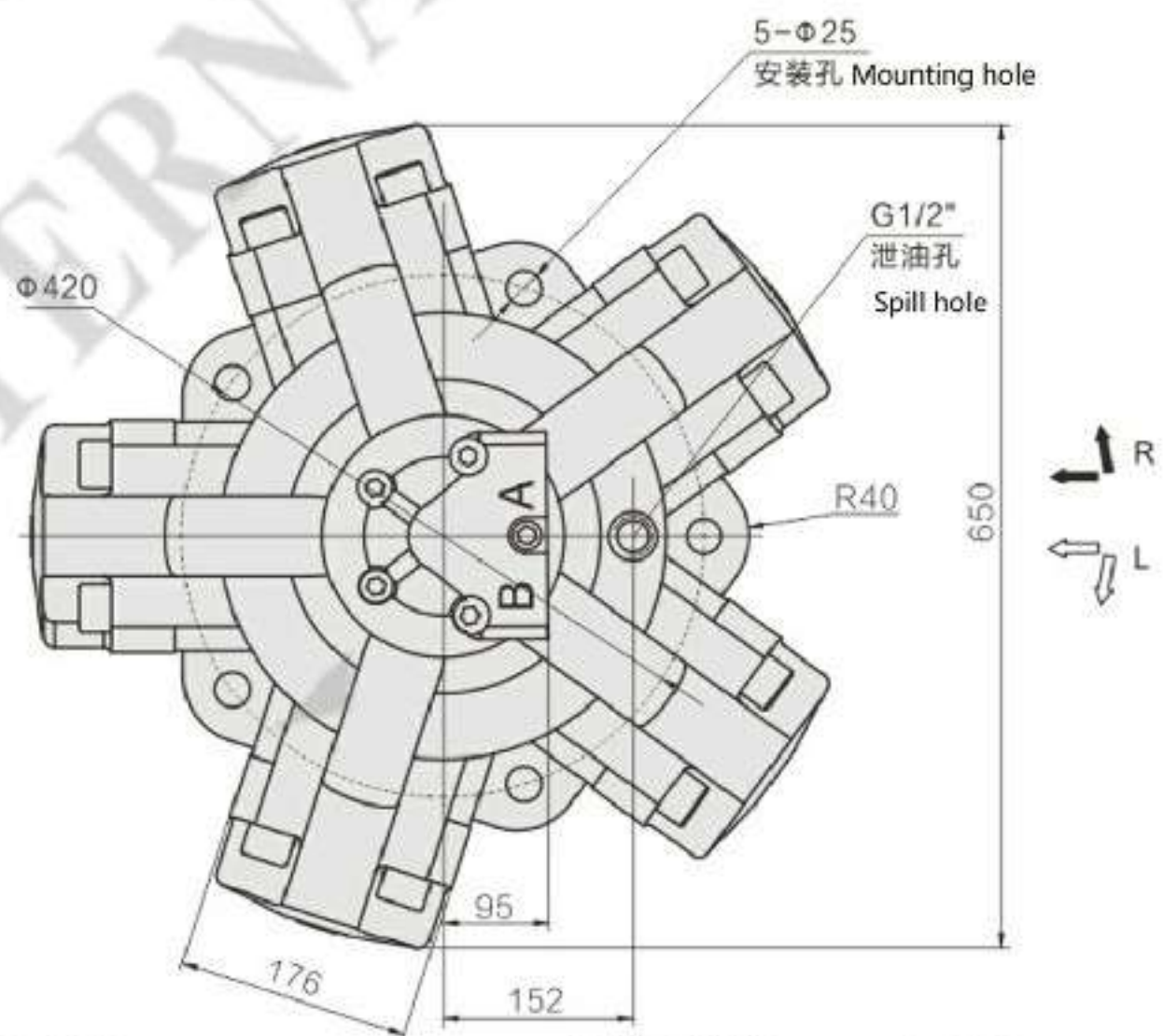
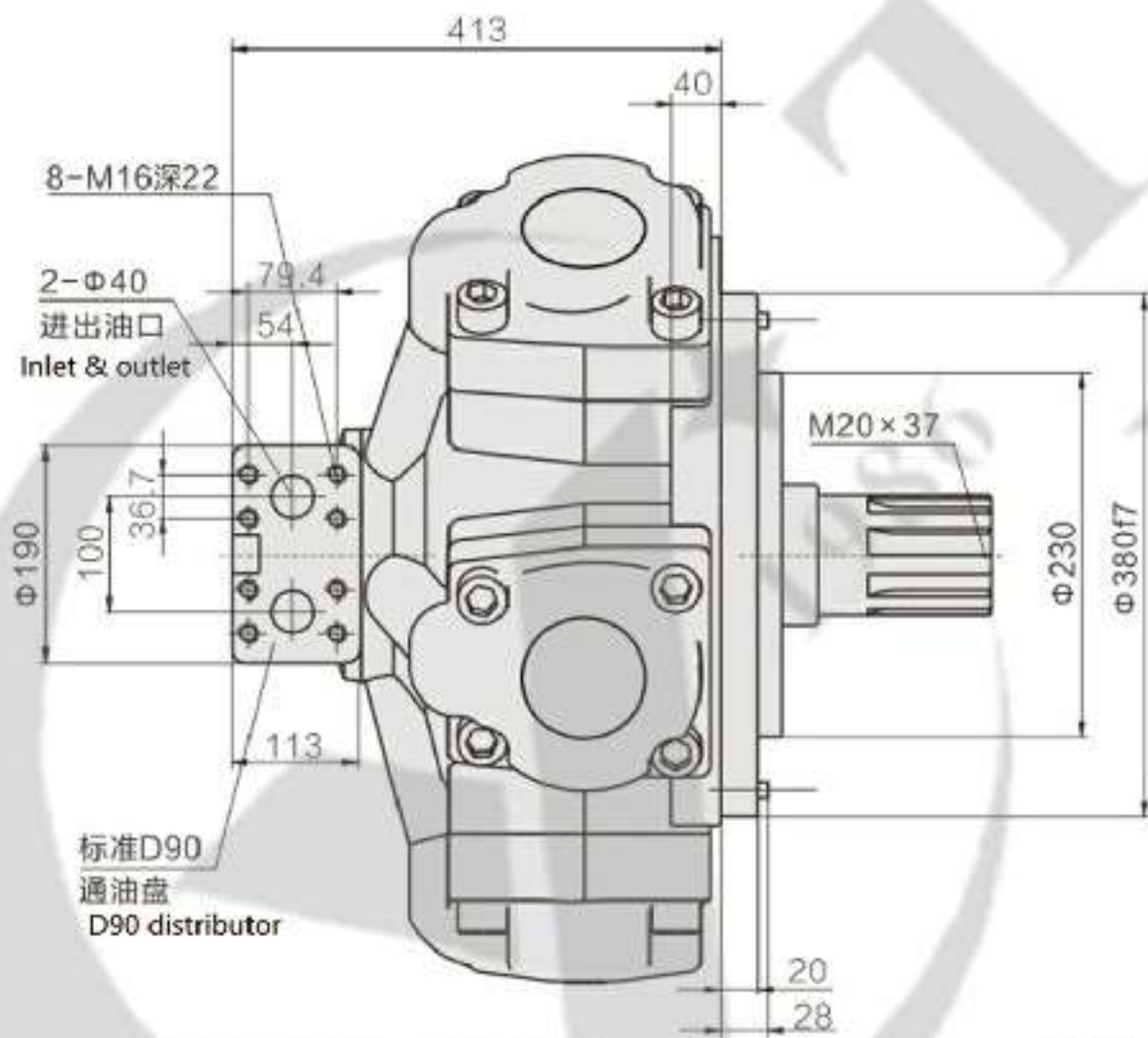
标准外花键: EM16-**
External spline

标准平键: EM16-**B
Flat key

标准内花键: EM16-**I
Internal spline



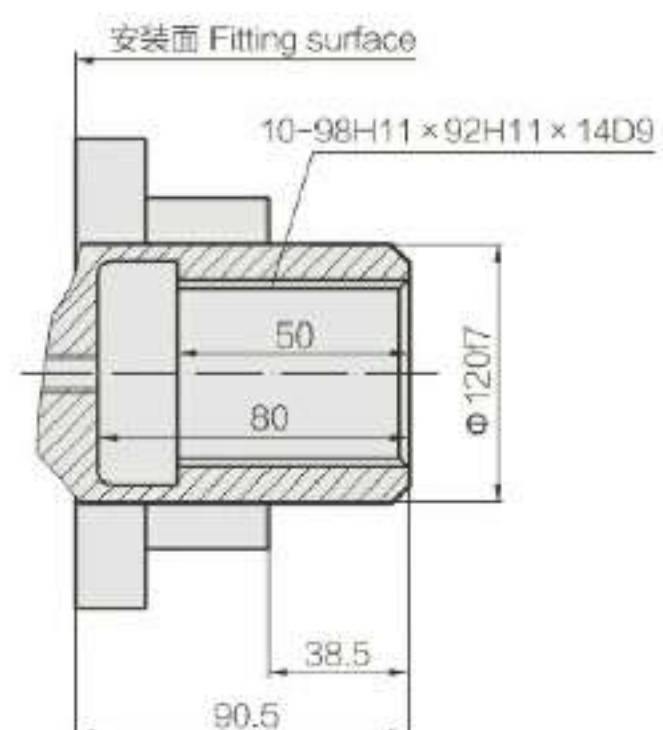
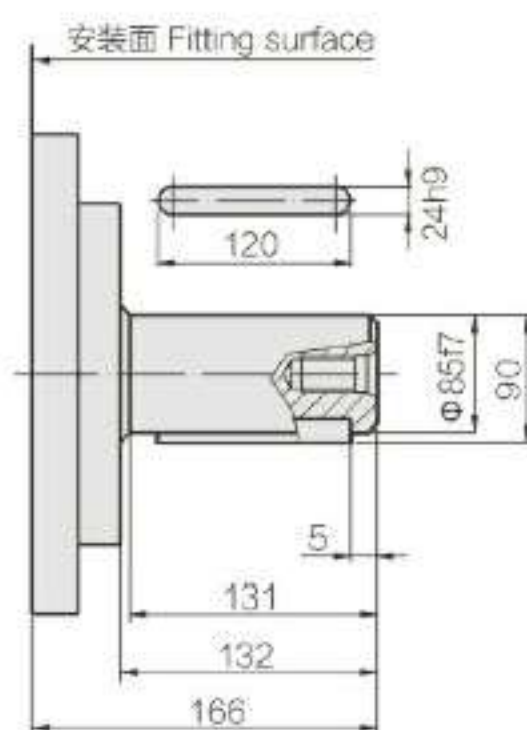
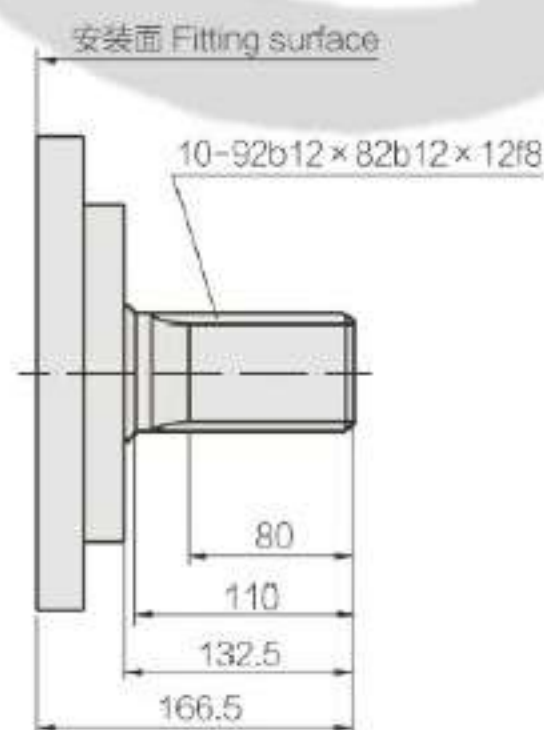
EM31-2500~5000 外形尺寸 Dimension



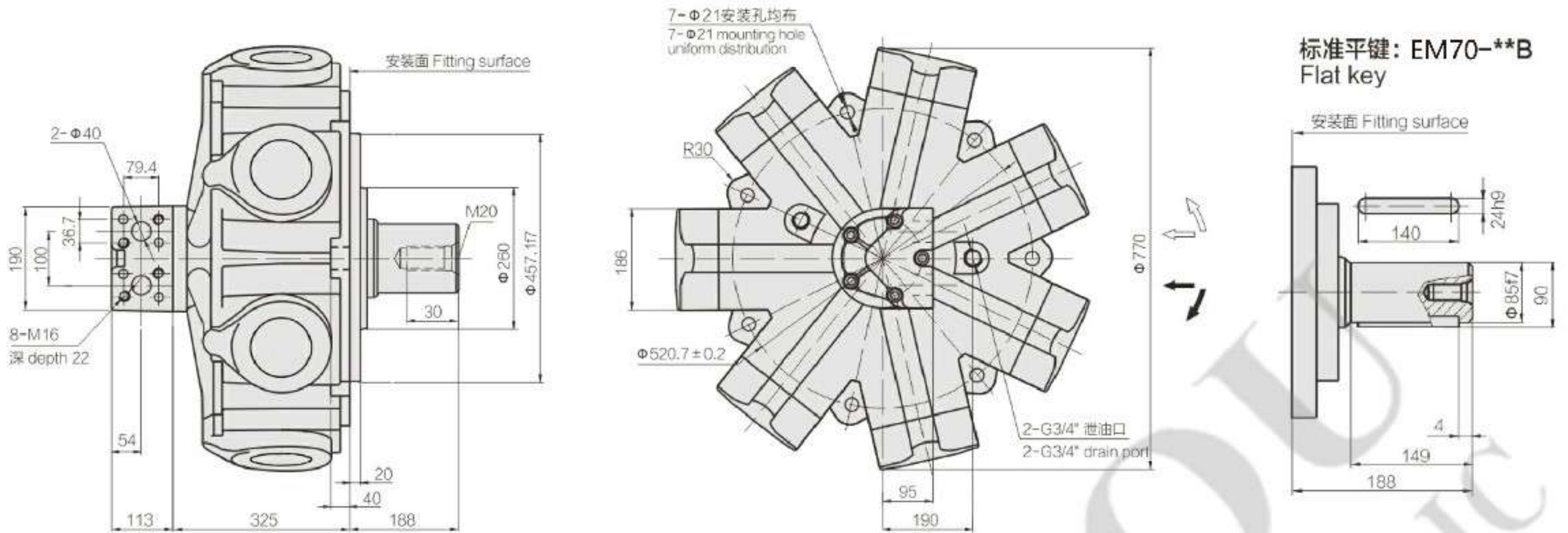
标准外花键: LD31-**
External spline

标准平键: EM31-**B
Flat key

标准内花键: EM31-**I
Internal spline



EM70-5000~7000 外形尺寸 Dimension

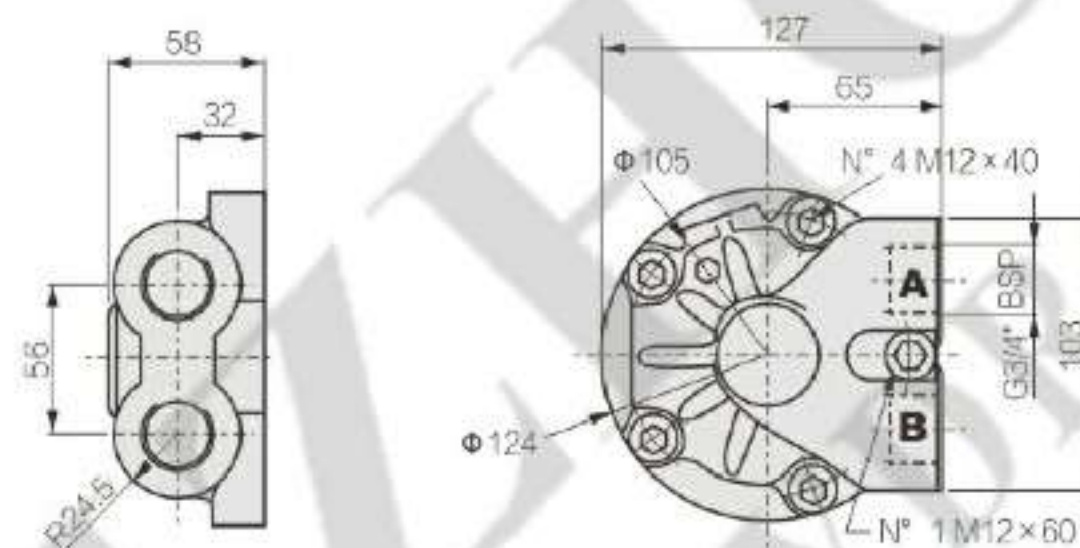


D31

D31通油盘, 油孔为G3/4"
D31 distributor with 3/4" ports.

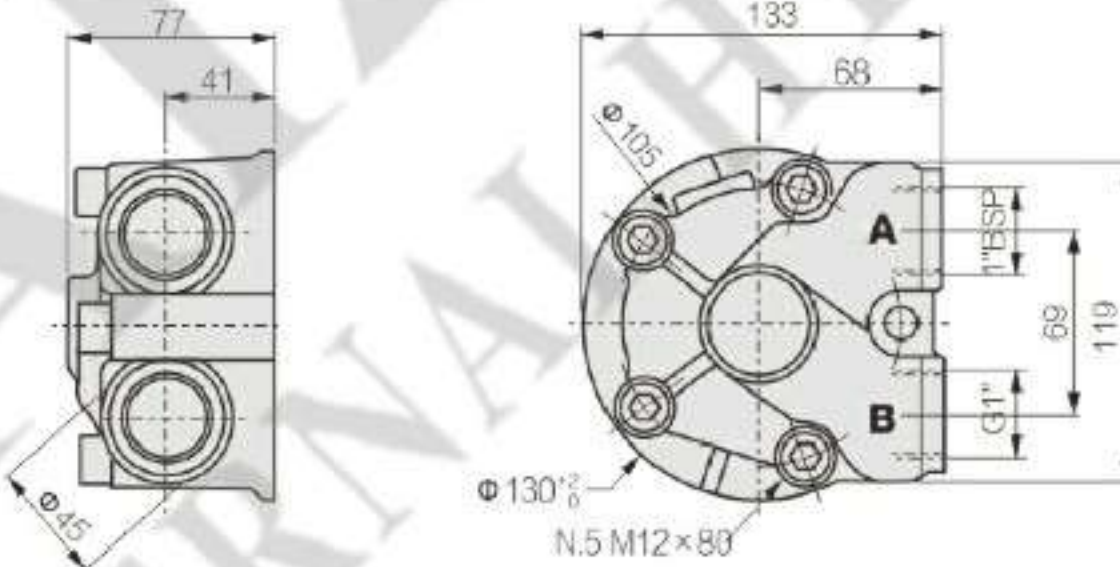
D310

与D31相同, 油口为 G1"
重量: 4kg
Is the same as D31, oil port is G1"
Weight: 4kg



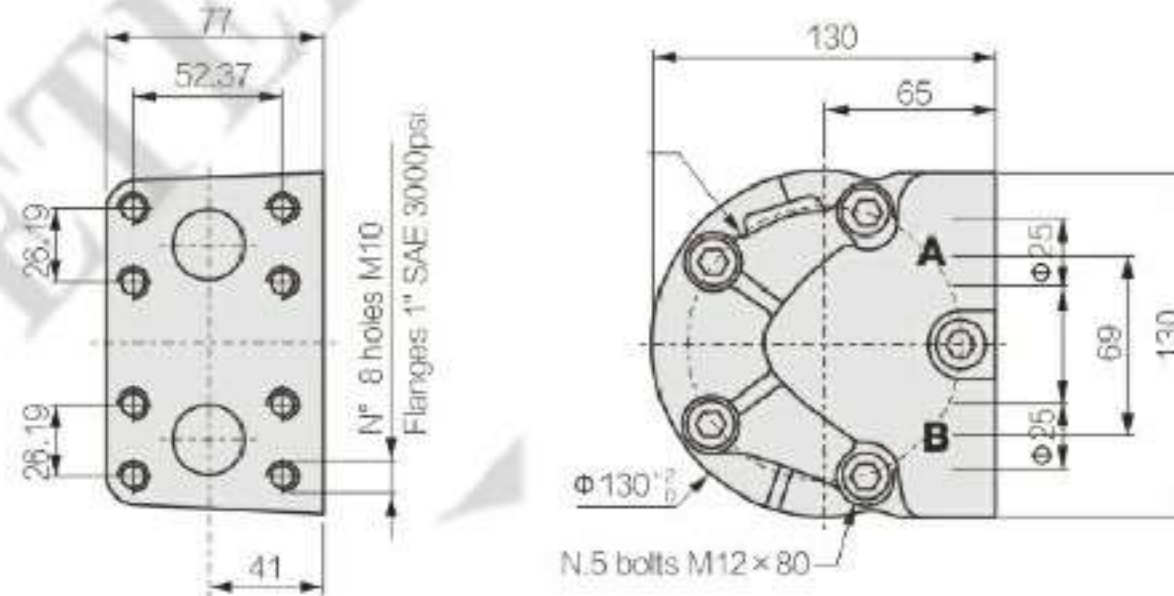
D40

标准配置用通油盘。
重量: 5kg
Standard distributor for motors.
Weight: 5kg



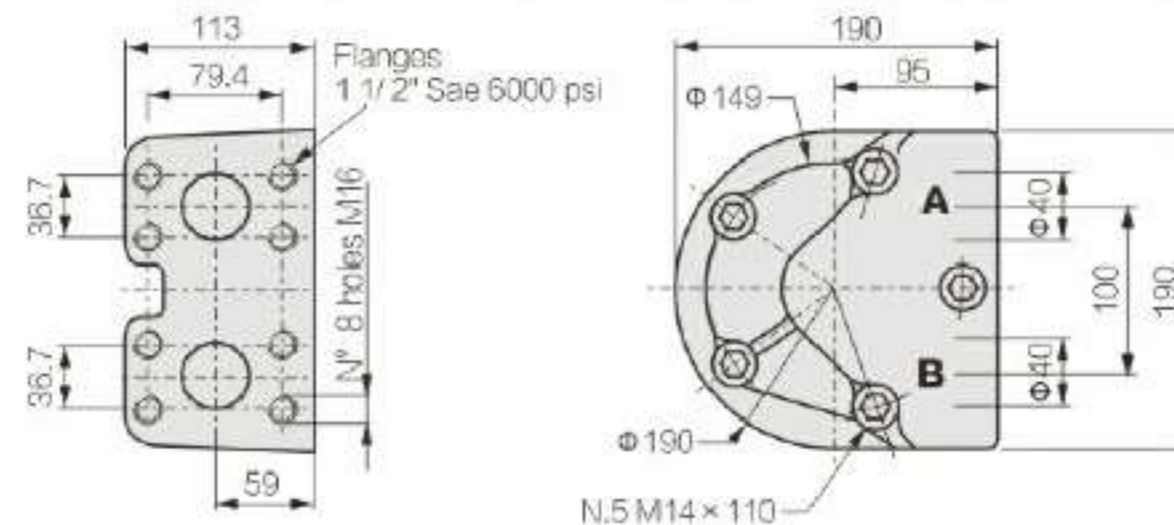
D47

油孔为φ25的法兰连接通油盘。
重量: 6kg
Distributor with SAE 1" 3000 psi flanges.
Weight: 6kg



D90

GM6, DM31 系列标准通油盘。
重量: 14.5kg
Standard distributor for GM6, DM31 series motors.
Weight: 14.5kg



D250

大流量通油盘
重量: 50kg
High flow distributor
Weight: 50kg

