

Bent-axis MONODIRECTIONAL

ORDERING CODE

EOX 47 R SE X G

└ Port: G, NPT, UNC

Shaft:
X1
X2
S

Mounting:

SE=DIN5462

B=SAE B 6 Bolt

00=21 UNI222

C=SAE C 4 Bolt

Rotation:

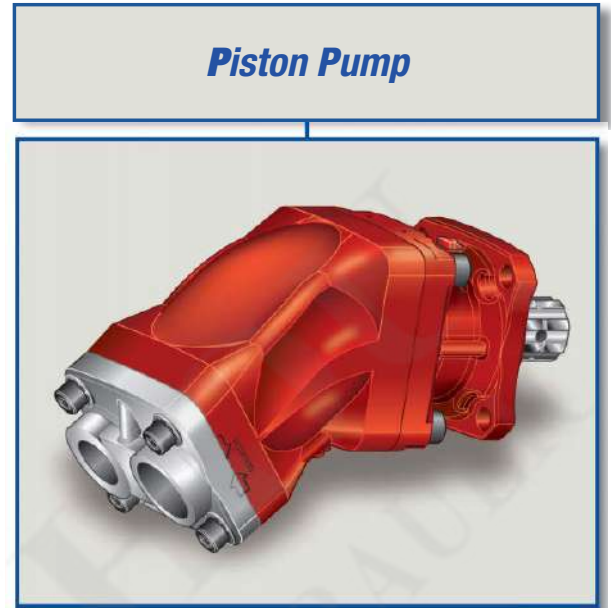
R=Clockwise

L=Anti-clockwise

Displacement: 34 / 47 / 64 / 84 / 108

Bent Axis Piston Pump

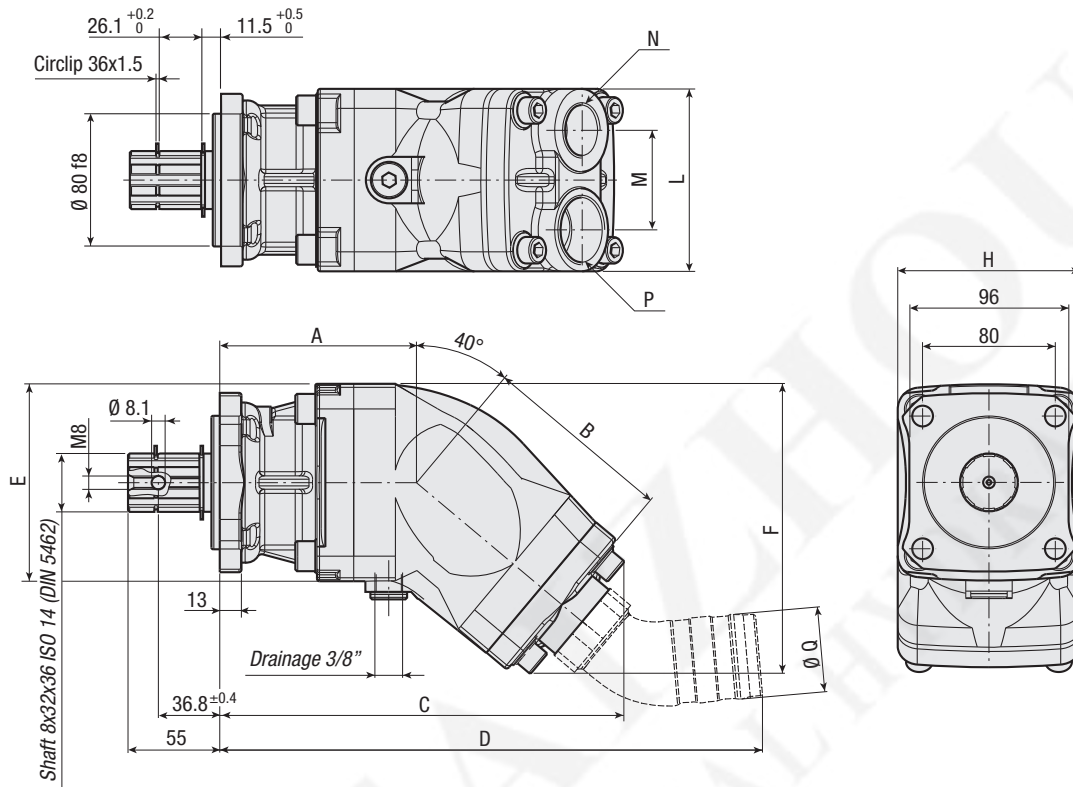
EOX 34
EOX 47
EOX 64
EOX 84
EOX 108



SPECIFICATIONS AND TECHNICAL DATA

TYPE		EOX 34	EOX 47	EOX 64	EOX 84	EOX 108
Displacement	Vg cm ³ /n cm ³ /rev.	34.60	47.39	64.08	84.38	107.70
Max operating pressure	P1	315	315	315	315	315
Max peak pressure (≤ 0.1 s)	P3	350	350	350	350	350
Max intermittent speed (P ≤ 30 bar)	n3	3000	2500	2500	2000	2000
Max continuous speed (≤ P1)	n1	2300	1900	1900	1600	1500
Min intermittent speed (≤ P1 x 0.5) (max 30 s)	n4	300				
Suction pressure (absolute)	P	0.7 ÷ 1.5				
Operating viscosity range	√	9 ÷ 75				
Optimal viscosity range	√	15 ÷ 46				
Start up max viscosity	√	1000				
Fluid temperature °C (t)	t	-25 ÷ 80				

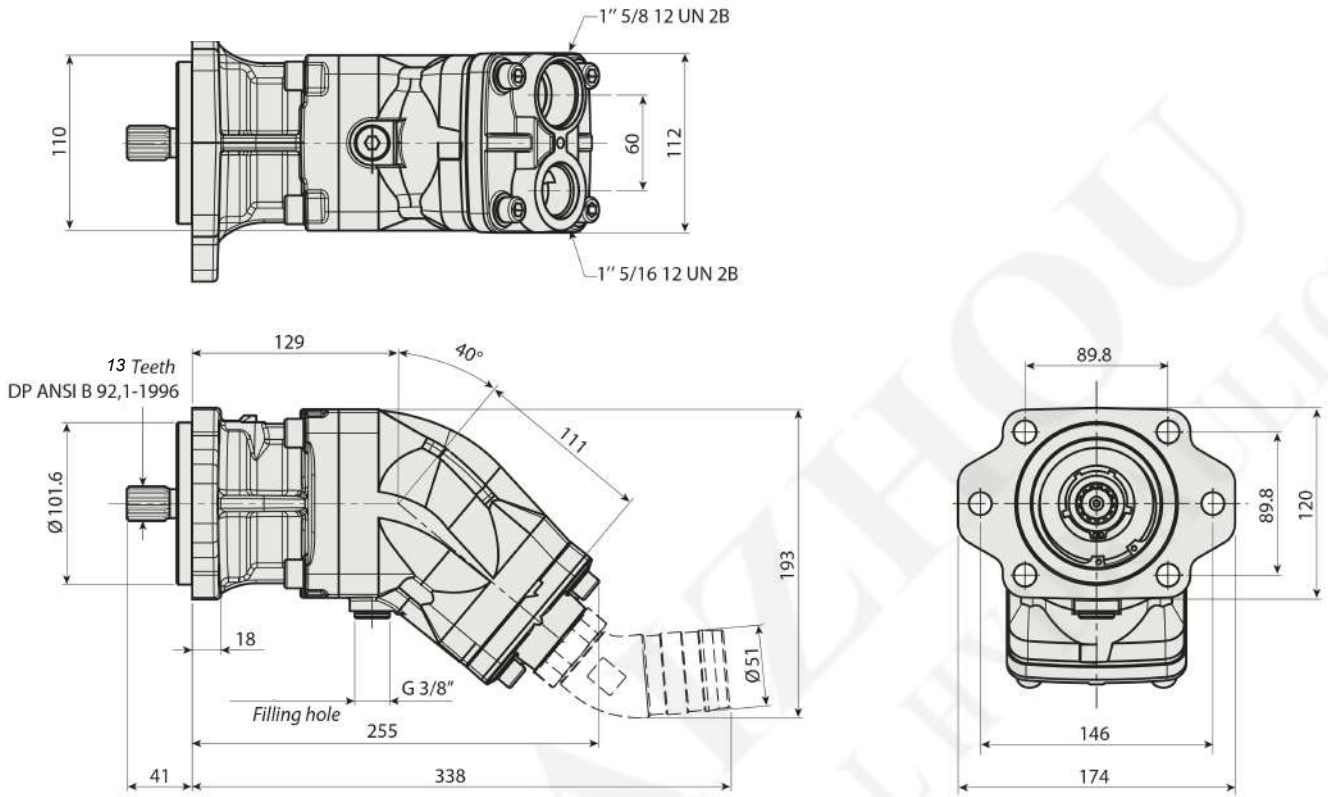
DIMENSIONS SE-DIN5462



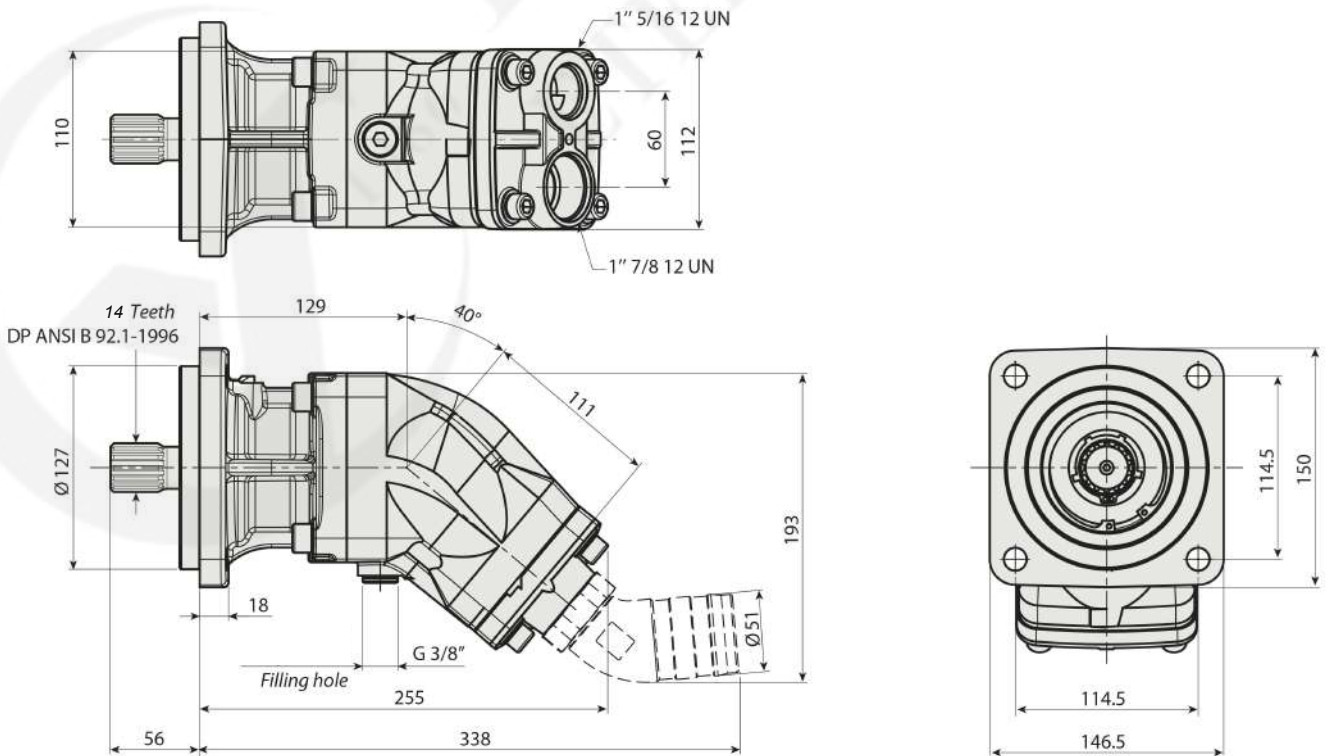
SPECIFICATIONS AND TECHNICAL DATA

CODE	A mm	B mm	C mm	D mm	E mm	F mm	G mm	H mm	L mm	M mm	OUTLET N	INLET		WEIGHT kg
												P	Q mm	
EOX 34	109	113	220	308	107	157	107.5	102	95	46	3/4" G	1" G	45	
EOX 47	109	113	220	308	107	157	107.5	102	95	46	3/4" G	1" G	45	
EOX 64	118	128	240	328	118	173	107.5	110	110	60	1" G	1" 1/4 G	51	
EOX 84	118	128	240	328	118	173	107.5	110	110	60	1" G	1" 1/4 G	51	
EOX 108	118	128	240	328	118	173	107.5	110	110	60	1" G	1" 1/4 G	51	

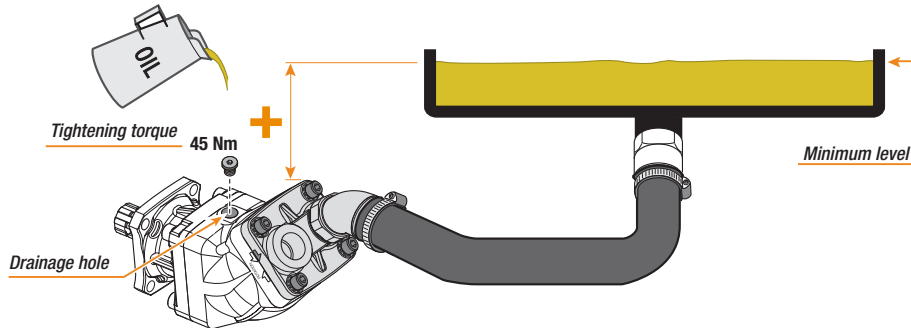
DIMENSIONS SAE B 6 Bolt



DIMENSIONS SAE C 4 Bolt



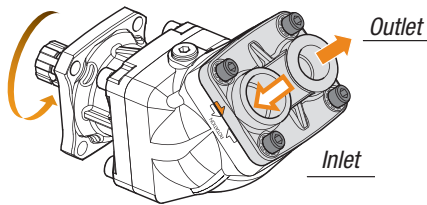
INSTALLATION INSTRUCTIONS



BEFORE STARTING UP MAKE SURE THAT THE PUMP IS FILLED WITH OIL, EITHER BY BLEEDING THE AIR THROUGH THE DRAINAGE HOLE OR BY FILLING THE PUMP UP PREVIOUSLY.

Failing to observe this rule may cause damages to the pump.

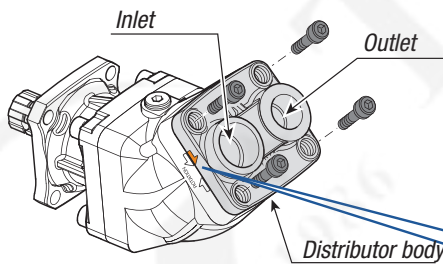
DIRECTION OF ROTATION/CHANGE OF ROTATION



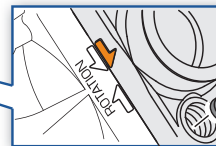
Choosing the direction of rotation.

**CLOCKWISE ROTATING PUMP
(ANTICLOCKWISE ROTATING P.T.O.)**

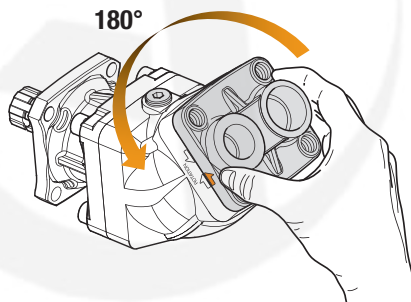
Tightening torque screws 80 Nm



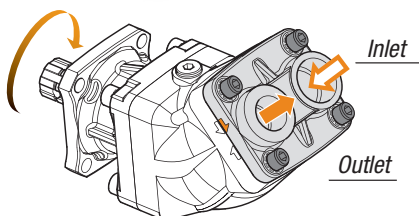
To change the direction of rotation remove the 4 screws and, keeping the distributor body close to the pump, rotate it by 180°. Tighten the 4 screws at 80 ± 5 Nm.



**ARROW + NOTCH =
DIRECTION OF ROTATION**



WARNING: during this operation the distributor body must not move away from the pump body more than 2 mm.



**ANTICLOCKWISE ROTATING PUMP
(CLOCKWISE ROTATING P.T.O.)**