



企业简介

COMPANY PROFILE

台州永畅液压机械有限公司是一家专业从事各类液压件设计、生产、销售的实力型企业，拥有8年液压元件国内外的设计销售经验！2015年与韩国公司合作成立台州永畅液压机械有限公司，韩国技术与品质管控体系，最优的服务与价格！

公司业务主要为液压元件及机械配件两大块，液压元件有叶片泵、齿轮泵、液压阀、液压马达、液压电机、压力表等液压辅件与液压系统；机械配件主要以叉车配件、卡车配件、装载机配件、压路机械配件、挖机配件为主。

公司现有PV2R油研、V/VQ威格士、T6丹尼逊、SQP东机美系列叶片泵、VP系列变量叶片泵、V10&V20&VTM42叶片泵、YB1&YB-D&YBE叶片泵、QT住友系列内啮合齿轮泵、SGP&KZP4岛津/KYB齿轮泵、HGP&GPY&P2齿轮泵、CBN&CBT&CBK齿轮泵、油研&力士乐系列液压阀、BM伊顿系列摆线马达、电机泵组，产品广泛应用于塑料机械、压铸机械、锻压机械、工程机械、橡胶机械、玻璃制品机械、烟草机械、皮革机械及各类液压系统等领域。

永畅液压致力成为国内外液压机械行业最具影响力的供应商。专注液压传动领域发展，是永畅未来发展的重大目标！诚邀各界英才莅临指导合作！

Taizhou Eternal Hydraulic Machine Co., Ltd is a strength Professional company which specialized in Hydraulic Component and Machine Parts in China, with more than 8 years experience focusing on the abroad and Domestic Market.

In cooperation with the Korean company, the company was established in 2015, with Korea technology and Quality Control system, best service and price in China.

Our main business are Hydraulic Components and Machine Parts, Hydraulic Components including Hydraulic Vane pump, Hydraulic Gear Pump, Hydraulic Valve, Hydraulic Motor, Electric Motor, Hydraulic accessories and Hydraulic System etc.

The Machine Parts including Forklift parts, Truck Parts, Wheel Loader parts, Excavator Parts etc.

Our products include: PV2R Yuken vane pump, V/VQ Vickers vane pump, T6 Den son vane pump, SQP Tokimec vane pump, VP variable vane pump, V10&V20&VTM42 vane pump, QT Sumitomo gear pump, SGP&KZP4 Shimadzu/KYB gear pump, HGP&GPY&P2 Gear Pump, CBN/CBT/CBK gear pump, Yuken&Rexroth Series Hydraulic Valve, BM series Eaton&Danfoss Hydraulic Motor, Electric Motor etc, are widely used in Construction Machinery, Mining Machinery, Rubber&Plastic machinery, Shoe Machinery, Die Casting Machinery, Metallurgical Machinery, Metal Cutting Machinery and all types hydraulic systems.

Devotion makes perfection in hydraulic industry. We commit ourselves to the supplier of hydraulic components with most influential in China.

Welcome to visit the guidance and cooperation!

CONTENT

HYDRAULIC VALVE

A. Directional Valve Series

A1~A3	4WE Series Solenoid Directional Control Valve
A4~A6	4WEH/4WH Series Solenoid Pilot/ Hydraulic Operated Directional Control Valve
A7~A8	DSG Series Solenoid Directional Control Valve
A9~A11	DSHG/DHG Series Solenoid Pilot/ Hydraulic Operated Directional Control Valve
A12	YJ4WE6 Series Solenoid Directional Control Valve
A13~A16	DM Series Manual Operated Directional Valve
A17	DCG Series Mechanical Operated Directional Valve
A18	SW Series Solenoid Check Valve
A19	CP(D) Series Pilot Operated Check Valve
A20	RVP Series Check Valve
A21	AJ Series Orthogonal Check Valve
A22	CIT Series In-line Check Valve
A23	DL4WE Series Solenoid Serial Mounting Directional Valve
A24	KVH Series Solenoid Serial Mounting Directional Valve
A25~A27	4WEJ Series Solenoid Directional Control Valve with Spool Position Detection

B. Modular valve Series

B1~B3	MRV Series Modular Relief Valve
B4	MSRV Series Modular Solenoid Operated Relief Valve
B5~B7	MBRV Series Modular Reducing Valve
B8	MSBRV Series Modular Solenoid Reducing Valve
B9~B10	MC Series Modular Check Valve
B11~B12	MSC Series Modular Solenoid Check Valve
B13~B14	MSCC Series Modular Solenoid Two Way Check Valve
B15~B17	MTCV Series Modular Throttle Check Valve
B18~B19	MT(CV) Series Modular Throttle (Check) Valve
B20~B21	MST Series Modular Solenoid Throttle Valve
B22~B23	MPCV Series Modular Pilot Operated Check Valve
B24	MCS Series Modular Balance Valve

C. Pressure Valve Series

C1~C3	DB Series Pilot Operated Relief Valve/ DBW Series Solenoid Operated Relief Valve
C4~C5	DA Series Pilot Operated Unloading Valve/ DAW Series Solenoid Operated Unloading Valve
C6~C7	DR Series Pilot Operated Pressure Reducing Valve
C8~C9	DZ Series Pilot Operated Pressure Sequence Valve
C10~C12	BS Series Low Noise Pilot Operated Relief Valve/ SBS Series Low Noise Solenoid Operated Relief Valve
C13~C14	RV Series Pilot Operated Relief Valve
C15~C16	SRVG Series Solenoid Operated Relief Valve
C17	DG Series Remote Control Relief Valve
C18~C19	DBD Series Direct Operated Relief Valve
C20~C21	H(C)G Series Sequence Counter Balance Unloading Valve

D. Proportional Valve Series

D1	EDG Series Proportional Directly Operated Relief Valve
D2~D3	EBG Series Proportional Pilot Operated Relief Valve
D4~D5	EBDG Series Proportional Pressure and Flow Control Valve
D6~D7	DRE Series Proportional Pilot Operated Pressure Reducing Valve
D8	4WRA Series Proportional Directional Control Valve

E. Flow control valve series

E1	JMP Series Mechanical Operated Throttle Check Valve
E2~E3	DV/DRV Series Throttle Valve/ Throttle Check Valve
E4	TV/TCV Series Throttle Valve/ Throttle Check Valve



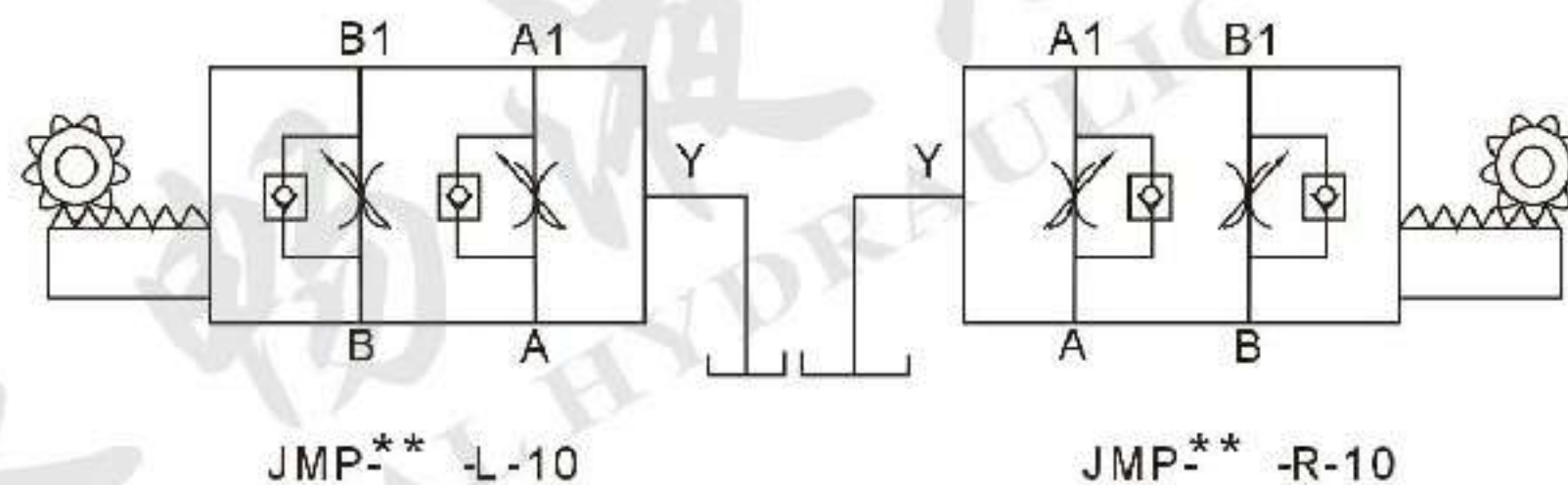
Ordering details

JMP	3/4	L	10
Sort	Max. flow	Handwheel position	Design code
Mechanical operated throttle check valve	3/4: ZG3/4" 1/2: ZG1/2" 3/8: ZG3/8"	L: Left R: Right	10

Technical specification

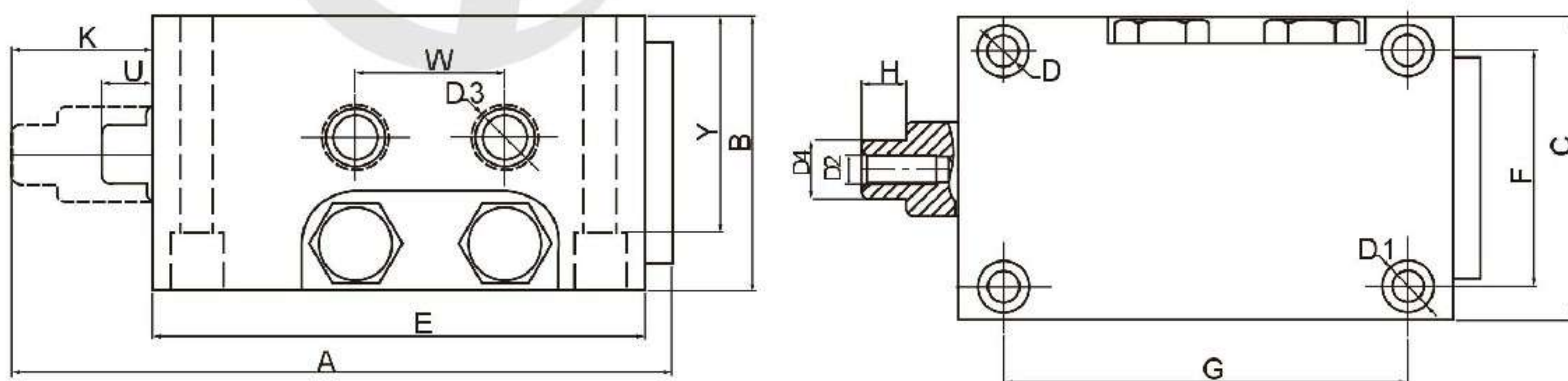
Model	JMP3/8	JMP1/2	JMP3/4
Max. flow rate (l/min)	200	250	300
Internal leakage	<100ml/min		
Working pressure (MPa)	31.5		
Weight(kgs)	6	12	

Symbol



Dimensions

Unit: mm



Model	A	B	C	D	D1	D2	D3	D4	E	F	G	H	K	U	Y	W
JMP 3/4	207	93	103	φ11	φ17.5	M10	ZG3/4	φ20 +0.05	165	80	135	15	47	17	73	50
JMP 1/2	207	93	103	φ11	φ17.5	M10	ZG1/2	φ20 +0.05	165	80	135	15	47	17	73	50
JMP 3/8	138	82	82	φ9	φ14	M8	ZG3/8	φ18 +0.05	120	62	76	10	27	12	72	39

DV/DRV series throttle valves/ throttle check valves are used to regulate the speed of actuators simply and precisely.



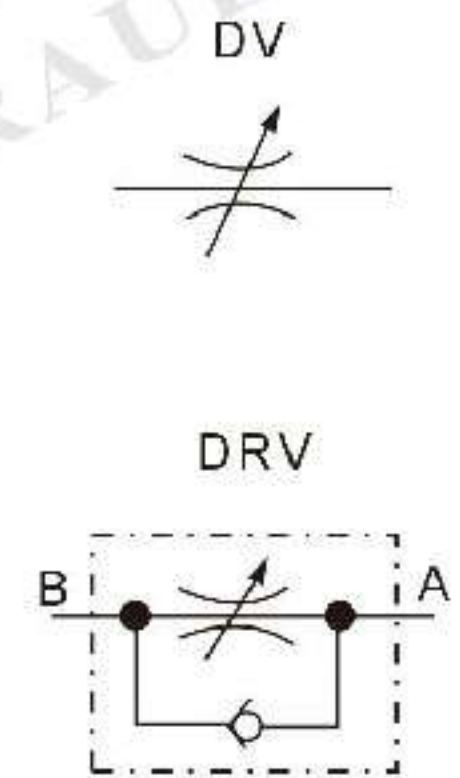
Ordering details

DRV	P	6	a	2
Sort	Mounting type	Nominal size	Cracking pressure	Thread type
DV: Throttle valve DRV: Throttle check valve	No code: threaded mounting P: Subplate mounting	6: NG6 8: NG8 10: NG10 12: NG12 16: NG16 20: NG20 25: NG25 30: NG30 40: NG40	a: 0.4bar b: 4bar	No code: Inch thread 2: Metric thread

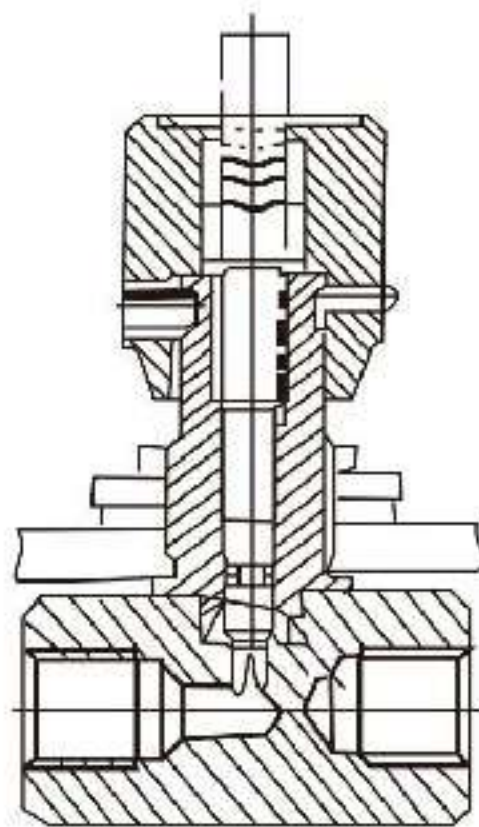
Technical specification

Nominal size	6	8	10	12	16	20	25	30	40	
Rated flow (l/min)	20	60	75	140	175	200	300	400	500	
Working pressure (MPa)	35									
Weight(kgs)	DV	0.12	0.25	0.4	0.7	1.2	2.1	2.8	3.5	—
	DVP	0.25	0.45	0.75	1	2.4	3.6	6	10.9	—
	DRV	0.13	0.3	0.45	0.8	1.3	2.4	3.5	4.6	7.7
	DRVP	0.26	0.5	0.8	1.1	2.5	3.9	6.7	11	17.5

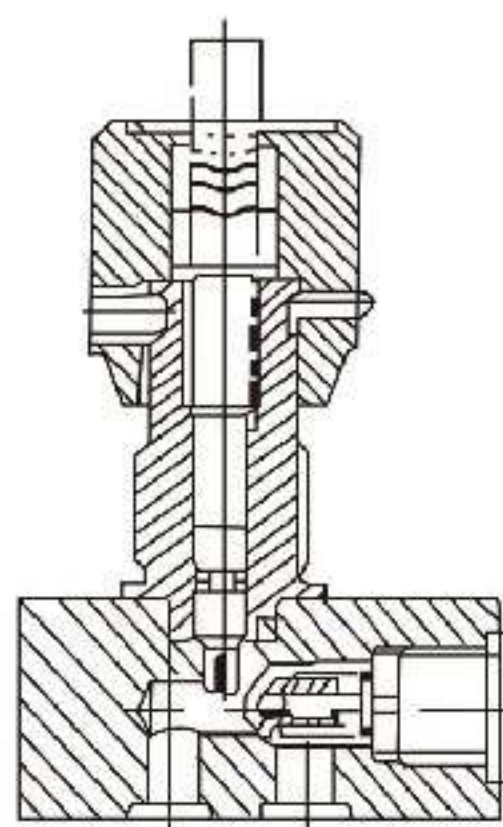
Symbol



Structure chart



DV/DRV



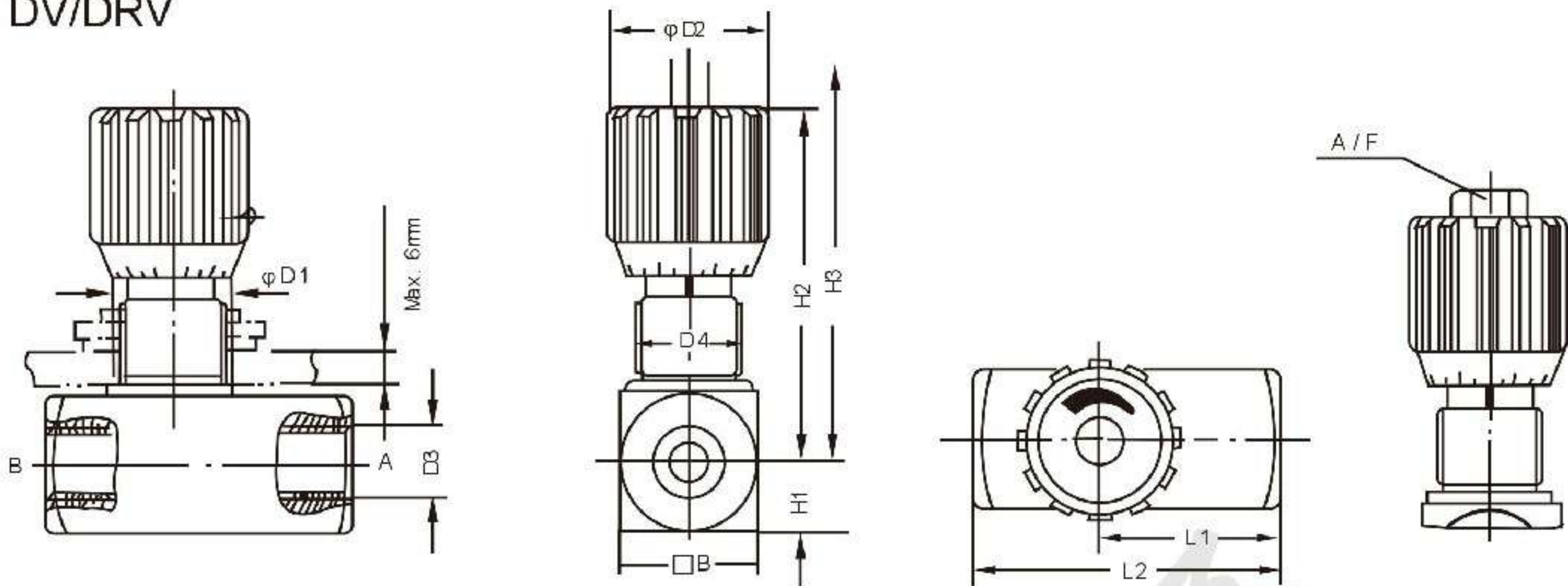
DVP/DRVP



Dimensions

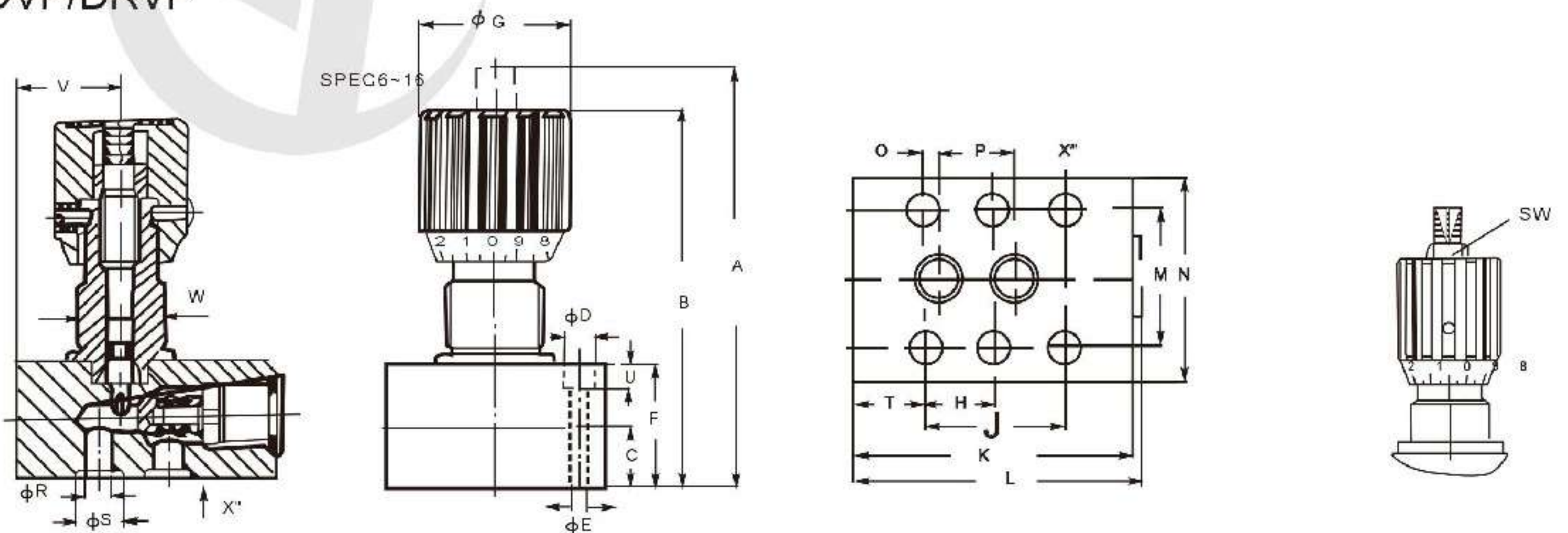
Unit: mm

DV/DRV



Nominal size	B	φ D1	φ D2	D3		D4	H1	H2	H3	L1		L2		A/F
				G	M					DV	DRV	DV	DRV	
6	15	16	24	G1/8	M101	M121.25	8	50	55	19	26	38	45	
8	25	19	29	G1/4	M14×1.5	M18×1.5	12.5	65	72	24	33.5	48	45	
10	30	19	29	G3/8	M15×1.5	M18×1.5	15	67	74	29	41	58	65	
12	35	23	38	G1/2	M22×1.5	M22×1.5	17.5	82	92	34	44	68	73	
16	45	23	38	G3/4	M27×2	M22×1.5	22.5	96	106	39	57	78	88	
20	50	38	49	G1	M33×2	M33×1.5	25	128	145	54	77	108	127	19
25	60	38	49	G1 1/4	M42×2	M33×1.5	30	133	150	54	93	108	143	19
30	70	38	49	G1 1/2	M48×2	M33×1.5	35	138	155	54	108	108	143	19
40	90	38	49	G2		M33×1.5	45	148	165		130		165	19

DVP/DRVP



Nominal size	A	B	C	D	E	F	G	H	J	K	L	M	N	O	P	R	S	T	U	V	W	SW
6	63	58	8	11	6.6	16	24	-	19	41.5	43	28.5	41.5	1.6	16	5	9.8	6.4	7	13.5	M12 1.25	-
8	79	72	10	11	6.6	20	29	-	35	63.5	65	33.5	46	4.5	25.5	7	12.7	14.2	7	31	M18×1.5	-
10	84	77	12.5	11	6.6	25	29	-	33.5	70	72	38	51	4	25.5	10	15.7	18	7	29.5	M18×1.5	-
12	106	96	16	11	6.6	32	38	-	38	80	84	44.5	57.5	4	30	13	18.7	21	7	36.5	M22×1.5	-
16	128	118	22.5	14	9	45	38	38	76	104	107	54	70	11.4	54	17	24.5	14	9	49	M22×1.5	-
20	170	153	25	14	9	50	49	47.5	95	127	131	60	76.5	19	57	22	30.5	16	9	49	M33×1.5	19
25	175	150	27.5	18	11	55	49	60	120	165	169	76	100	20.6	79.5	28.5	37.5	15	11	77	M33×1.5	19
30	195	170	37.5	20	14	75	49	71.5	143	186	190	92	115	23.8	95	35	43.5	15	13	85	M33×1.5	19
40	220	203	50	20	14	100	49	67	133.5	192	196	111	140	25.5	89	47.5	57.5	16	13	64	M33×1.5	19



TV series throttle valves are used to restrict flow in one direction.

TCV series throttle check valves can also allow free-flow in the opposite direction as check valves.

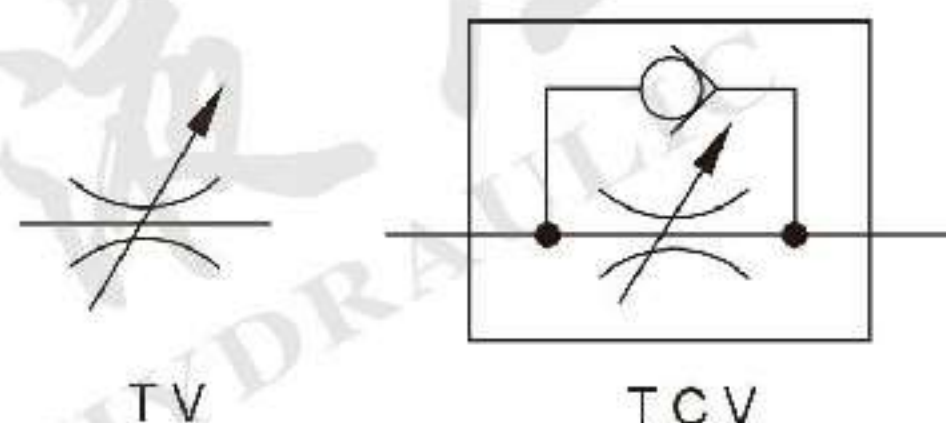
Ordering details

TV	G	03	10
Sort	Mounting type	Nominal size	Design code
TV: Throttle valve TCV: Throttle check valve	Subplate mounting	03: NG10 06: NG20 10: NG30	10

Technical specification

Model	TV/TCV-03	TV/TCV-06	TV/TCV-10
Max. flow rate (l/min)	30	80	200
Working pressure (MPa)	25		
Weight(kgs)	1.3	4.5	8.6

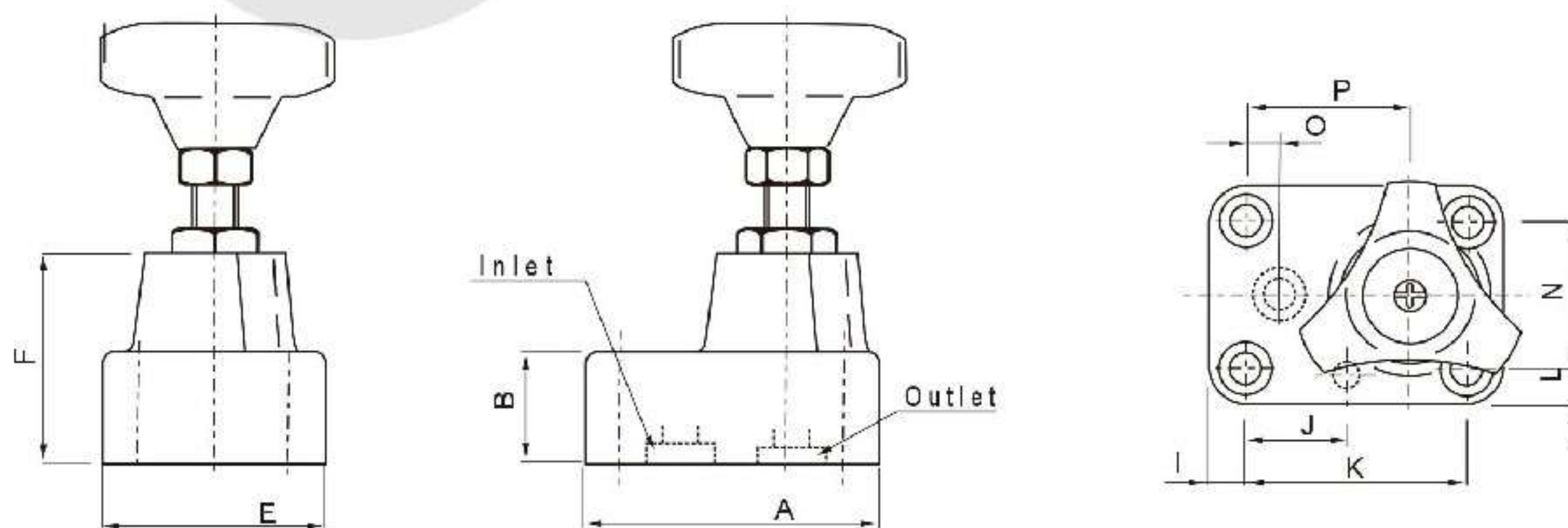
Symbol



Dimensions

Unit: mm

TV/TCV-03/06/10



Model	A	B	C	E	F	I	J	K	L	N	O	P
TV-G03	80	30	P18	60	61	10	30	60	10	40	15	45
TV-G06	92	42	P28	80	73	11	35	70	11	58	16	54
TV-G10	120	55	P36	100	93	14	46	92	14	72	21	71