



企业简介

COMPANY PROFILE

台州永畅液压机械有限公司是一家专业从事各类液压件设计、生产、销售的实力型企业，拥有8年液压元件国内外的设计销售经验！2015年与韩国公司合作成立台州永畅液压机械有限公司，韩国技术与品质管控体系，最优的服务与价格！

公司业务主要为液压元件及机械配件两大块，液压元件有叶片泵、齿轮泵、液压阀、液压马达、液压电机、压力表等液压辅件与液压系统；机械配件主要以叉车配件、卡车配件、装载机配件、压路机械配件、挖机配件为主。

公司现有PV2R油研、V/VQ威格士、T6丹尼逊、SQP东机美系列叶片泵、VP系列变量叶片泵、V10&V20&VTM42叶片泵、YB1&YB-D&YBE叶片泵、QT住友系列内啮合齿轮泵、SGP&KZP4岛津/KYB齿轮泵、HGP&GPY&P2齿轮泵、CBN&CBT&CBK齿轮泵、油研&力士乐系列液压阀、BM伊顿系列摆线马达、电机泵组，产品广泛应用于塑料机械、压铸机械、锻压机械、工程机械、橡胶机械、玻璃制品机械、烟草机械、皮革机械及各类液压系统等领域。

永畅液压致力成为国内外液压机械行业最具影响力的供应商。专注液压传动领域发展，是永畅未来发展的重大目标！诚邀各界英才莅临指导合作！

Taizhou Eternal Hydraulic Machine Co., Ltd is a strength Professional company which specialized in Hydraulic Component and Machine Parts in China, with more than 8 years experience focusing on the abroad and Domestic Market.

In cooperation with the Korean company, the company was established in 2015, with Korea technology and Quality Control system, best service and price in China.

Our main business are Hydraulic Components and Machine Parts, Hydraulic Components including Hydraulic Vane pump, Hydraulic Gear Pump, Hydraulic Valve, Hydraulic Motor, Electric Motor, Hydraulic accessories and Hydraulic System etc.

The Machine Parts including Forklift parts, Truck Parts, Wheel Loader parts, Excavator Parts etc.

Our products include: PV2R Yuken vane pump, V/VQ Vickers vane pump, T6 Den son vane pump, SQP Tokimec vane pump, VP variable vane pump, V10&V20&VTM42 vane pump, QT Sumitomo gear pump, SGP&KZP4 Shimadzu/KYB gear pump, HGP&GPY&P2 Gear Pump, CBN/CBT/CBK gear pump, Yuken&Rexroth Series Hydraulic Valve, BM series Eaton&Danfoss Hydraulic Motor, Electric Motor etc, are widely used in Construction Machinery, Mining Machinery, Rubber&Plastic machinery, Shoe Machinery, Die Casting Machinery, Metallurgical Machinery, Metal Cutting Machinery and all types hydraulic systems.

Devotion makes perfection in hydraulic industry. We commit ourselves to the supplier of hydraulic components with most influential in China.

Welcome to visit the guidance and cooperation!

CONTENT

HYDRAULIC VALVE

A. Directional Valve Series

A1~A3	4WE Series Solenoid Directional Control Valve
A4~A6	4WEH/4WH Series Solenoid Pilot/ Hydraulic Operated Directional Control Valve
A7~A8	DSG Series Solenoid Directional Control Valve
A9~A11	DSHG/DHG Series Solenoid Pilot/ Hydraulic Operated Directional Control Valve
A12	YJ4WE6 Series Solenoid Directional Control Valve
A13~A16	DM Series Manual Operated Directional Valve
A17	DCG Series Mechanical Operated Directional Valve
A18	SW Series Solenoid Check Valve
A19	CP(D) Series Pilot Operated Check Valve
A20	RVP Series Check Valve
A21	AJ Series Orthogonal Check Valve
A22	CIT Series In-line Check Valve
A23	DL4WE Series Solenoid Serial Mounting Directional Valve
A24	KVH Series Solenoid Serial Mounting Directional Valve
A25~A27	4WEJ Series Solenoid Directional Control Valve with Spool Position Detection

B. Modular valve Series

B1~B3	MRV Series Modular Relief Valve
B4	MSRV Series Modular Solenoid Operated Relief Valve
B5~B7	MBRV Series Modular Reducing Valve
B8	MSBRV Series Modular Solenoid Reducing Valve
B9~B10	MC Series Modular Check Valve
B11~B12	MSC Series Modular Solenoid Check Valve
B13~B14	MSCC Series Modular Solenoid Two Way Check Valve
B15~B17	MTCV Series Modular Throttle Check Valve
B18~B19	MT(CV) Series Modular Throttle (Check) Valve
B20~B21	MST Series Modular Solenoid Throttle Valve
B22~B23	MPCV Series Modular Pilot Operated Check Valve
B24	MCS Series Modular Balance Valve

C. Pressure Valve Series

C1~C3	DB Series Pilot Operated Relief Valve/ DBW Series Solenoid Operated Relief Valve
C4~C5	DA Series Pilot Operated Unloading Valve/ DAW Series Solenoid Operated Unloading Valve
C6~C7	DR Series Pilot Operated Pressure Reducing Valve
C8~C9	DZ Series Pilot Operated Pressure Sequence Valve
C10~C12	BS Series Low Noise Pilot Operated Relief Valve/ SBS Series Low Noise Solenoid Operated Relief Valve
C13~C14	RV Series Pilot Operated Relief Valve
C15~C16	SRVG Series Solenoid Operated Relief Valve
C17	DG Series Remote Control Relief Valve
C18~C19	DBD Series Direct Operated Relief Valve
C20~C21	H(C)G Series Sequence Counter Balance Unloading Valve

D. Proportional Valve Series

D1	EDG Series Proportional Directly Operated Relief Valve
D2~D3	EBG Series Proportional Pilot Operated Relief Valve
D4~D5	EBDG Series Proportional Pressure and Flow Control Valve
D6~D7	DRE Series Proportional Pilot Operated Pressure Reducing Valve
D8	4WRA Series Proportional Directional Control Valve

E. Flow control valve series

E1	JMP Series Mechanical Operated Throttle Check Valve
E2~E3	DV/DRV Series Throttle Valve/ Throttle Check Valve
E4	TV/TCV Series Throttle Valve/ Throttle Check Valve

MRV series modular relief valves can control flow for positive direction pass oil port. Flow can be adjusted by handle. It passes to check valve for reverse flow.

Ordering details



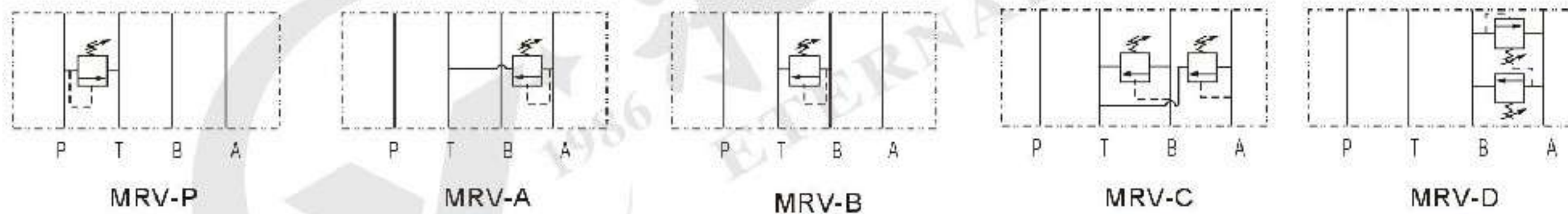
MRV	02	P	K	1	20
Sort	Nominal size	Relief form	Adjustment type	Pressure adjustment range	Design code
Modular relief valve	02:NG6 Cetop3 03:NG10 Cetop5 04:NG16 Cetop7 06:NG22 Cetop8	P:P→T A:A→T B:B→T C:A→T B→T D:A→B B→A	No code: Without knob K: With plastic knob	1:8~70bar 2:35~140bar 3:70~250bar	20

Technical specification

Model	MRV-02	MRV-03	MRV-04	MRV-06	
Max. flow rate (l/min)	35	70	200	450	
Working pressure (MPa)	25				
Weight(kgs)	A, B, P	1.5	3.3	6	12.2
	C, D	1.7	3.7	—	—



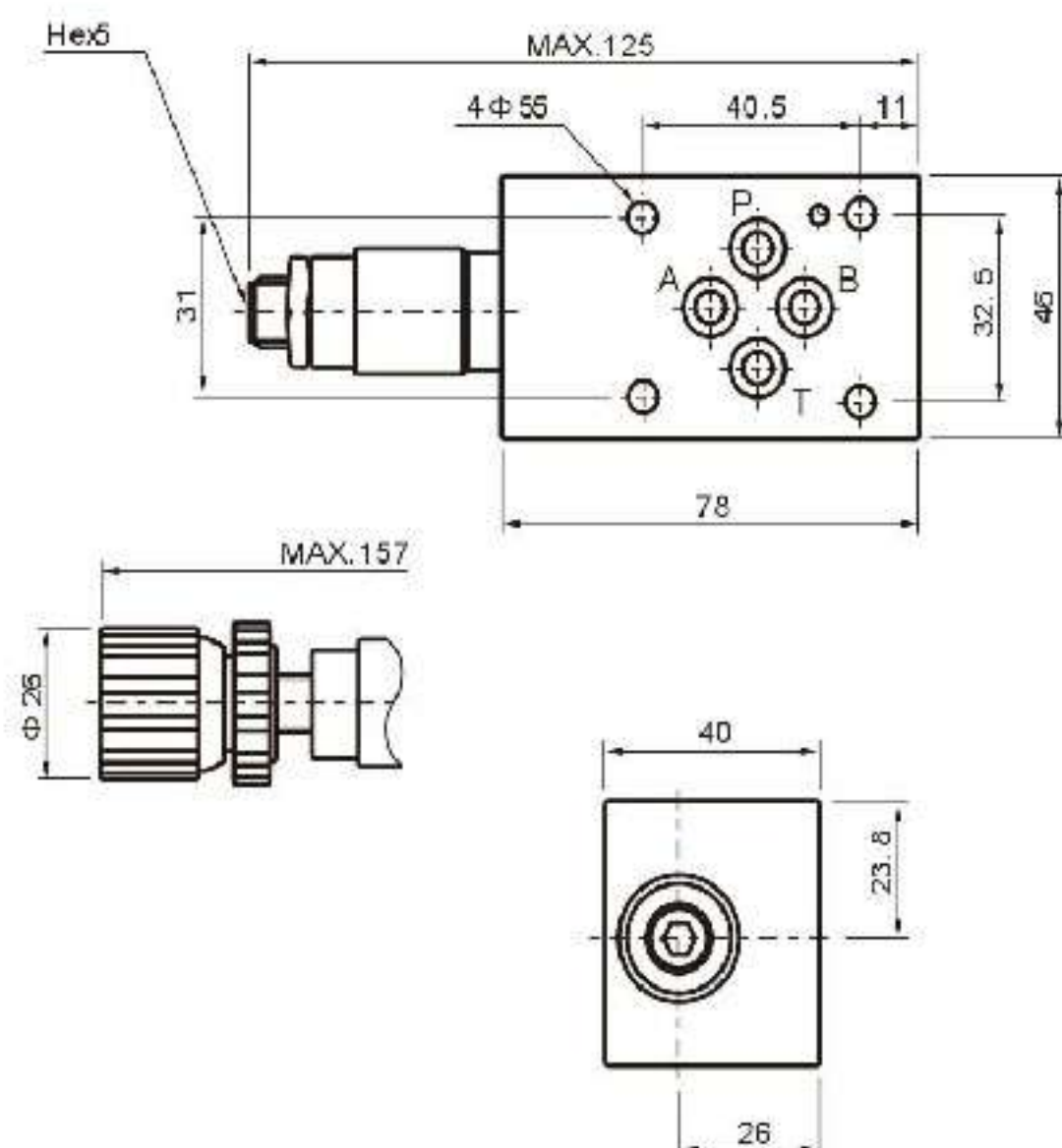
Symbol list



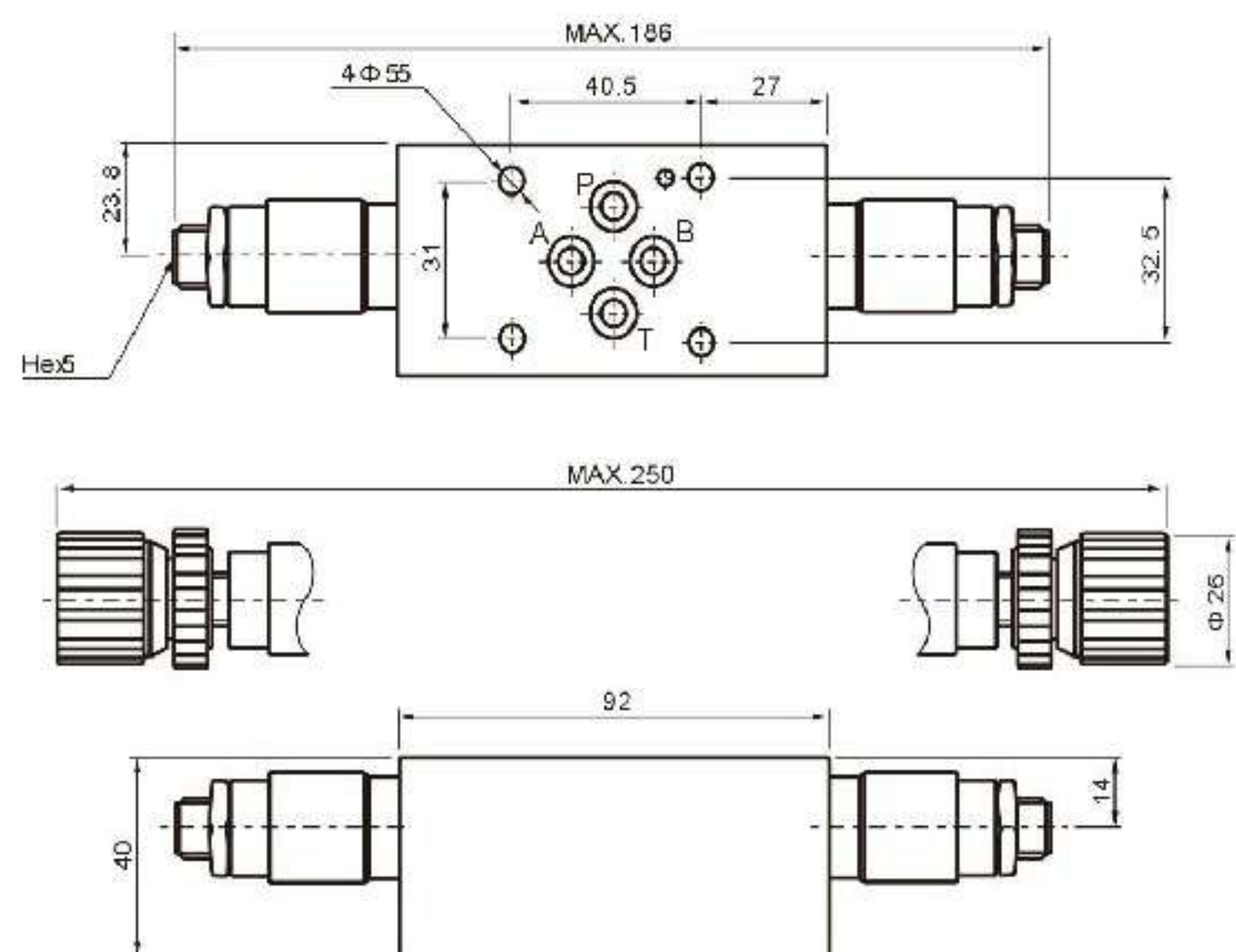
Dimensions

Unit: mm

MRV-02A



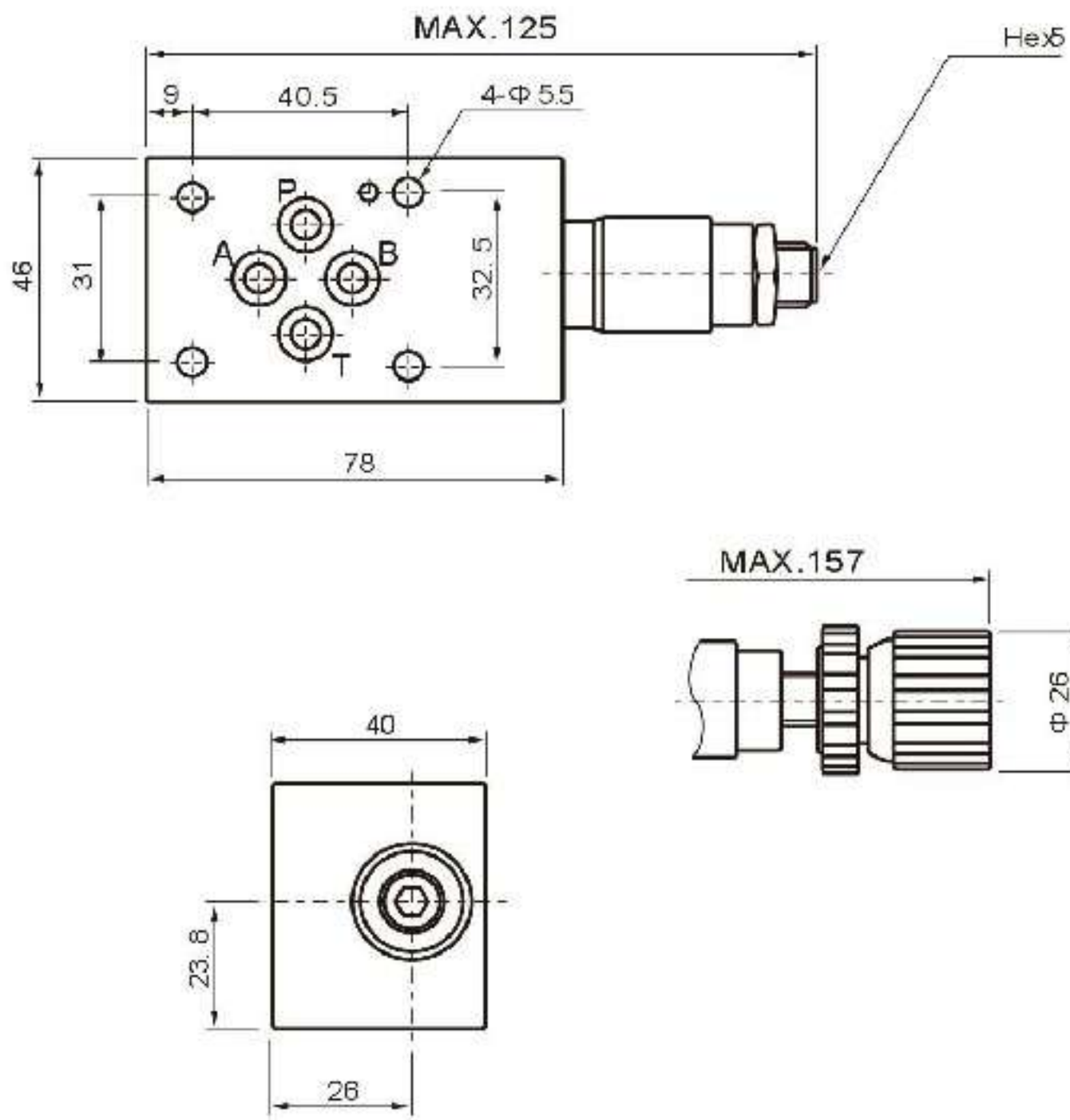
MRV-02C



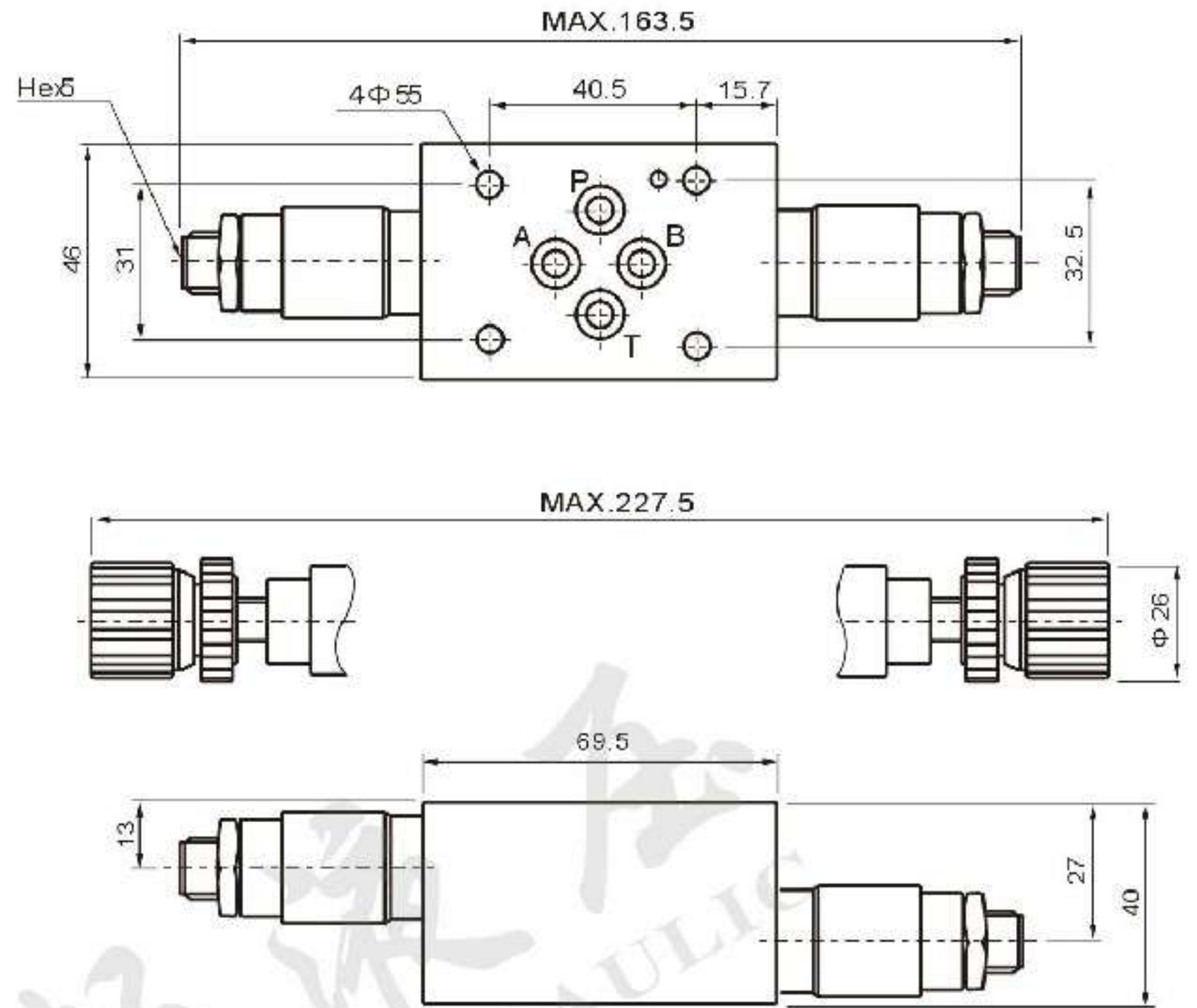
Dimensions

Unit: mm

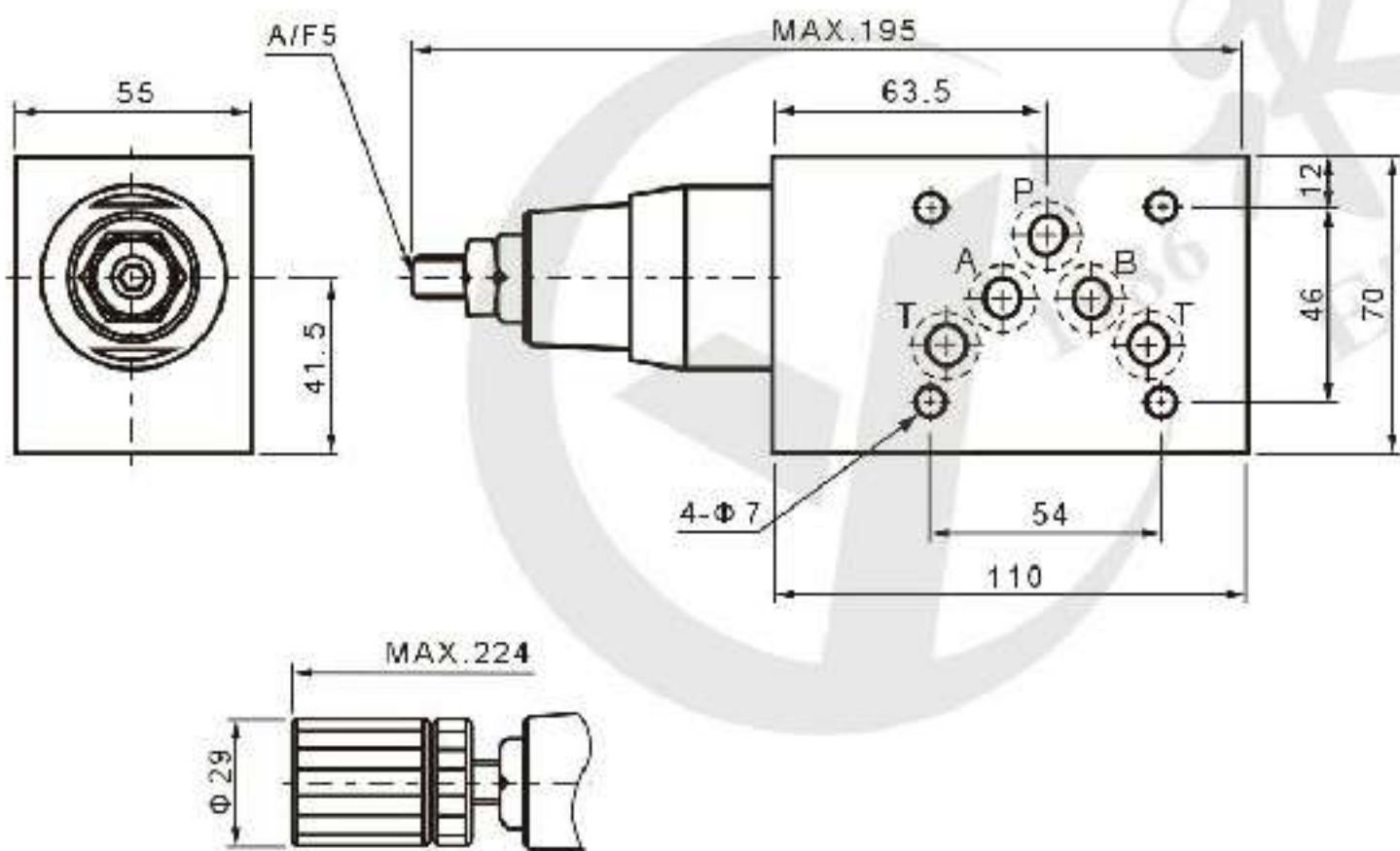
MRV-02B/P



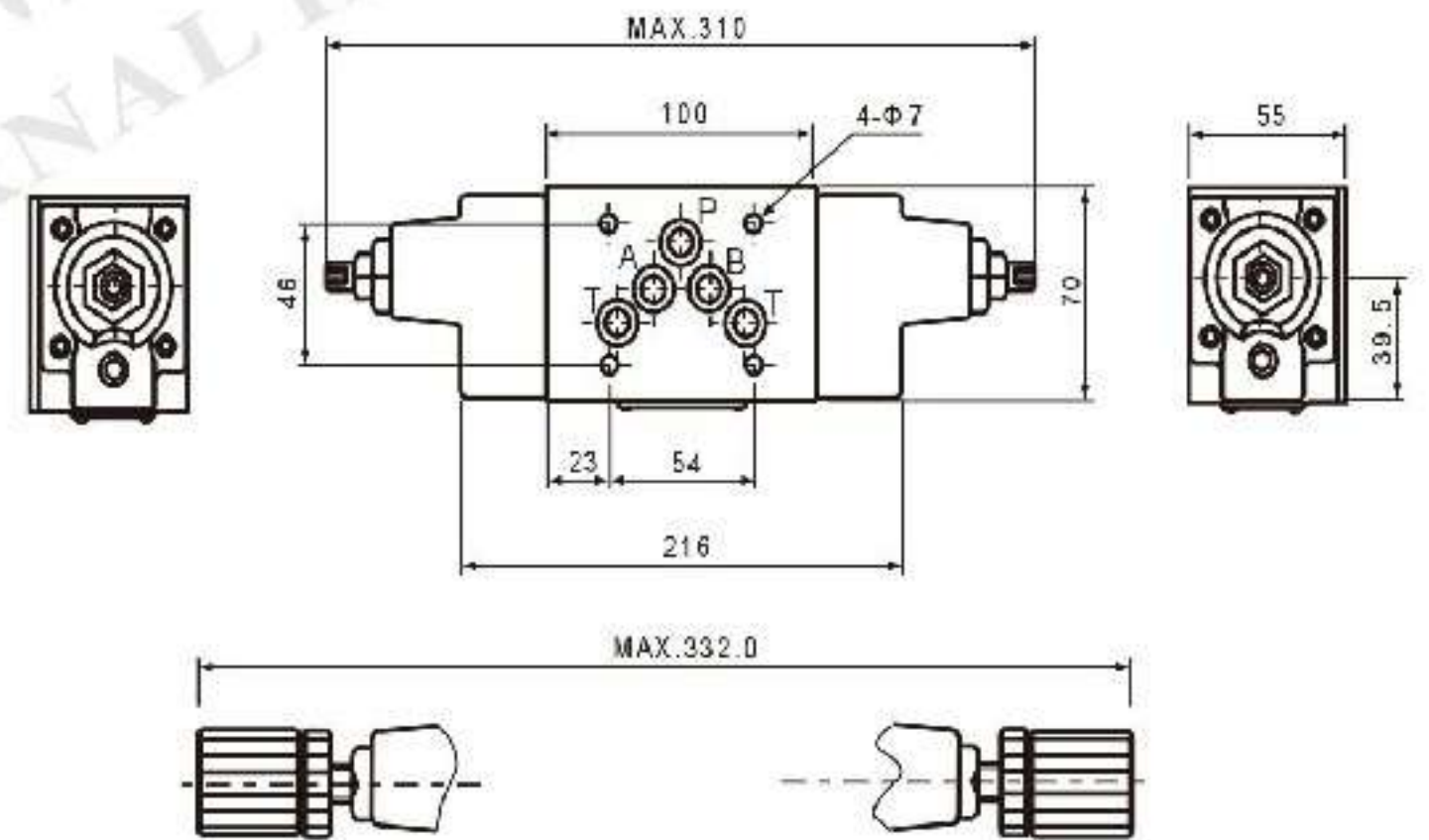
MRV-02D



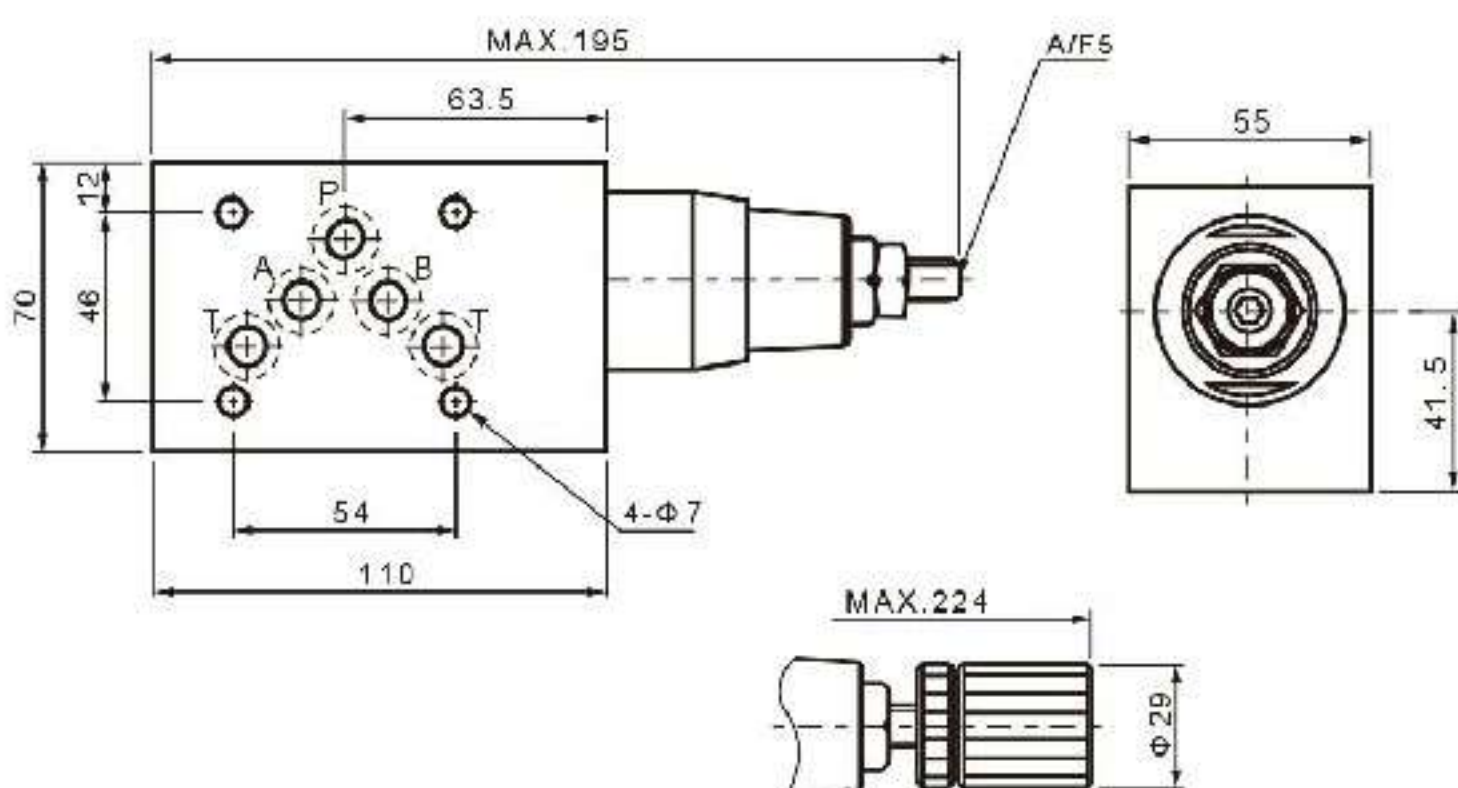
MRV-03A



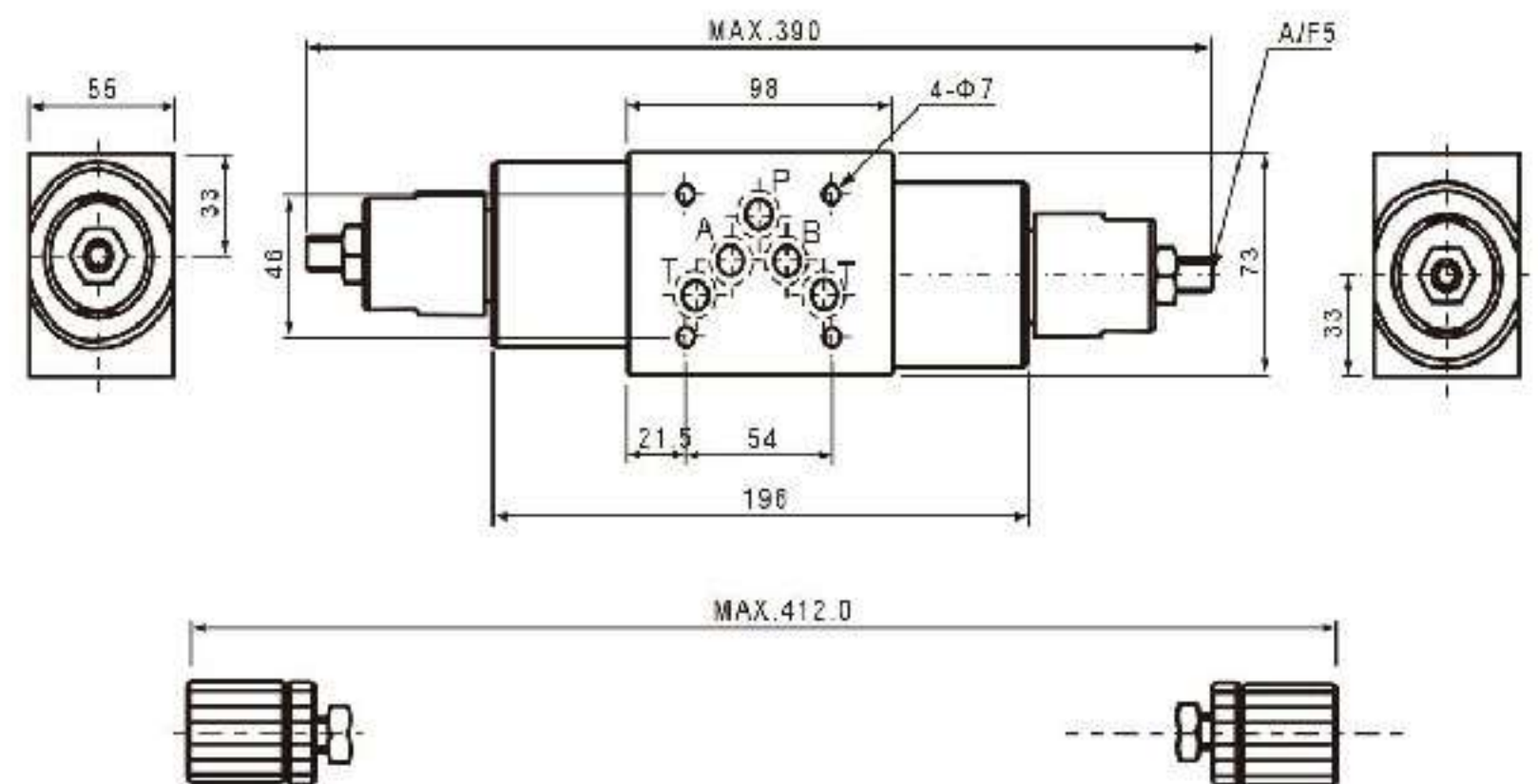
MRV-03C



MRV-03B/P



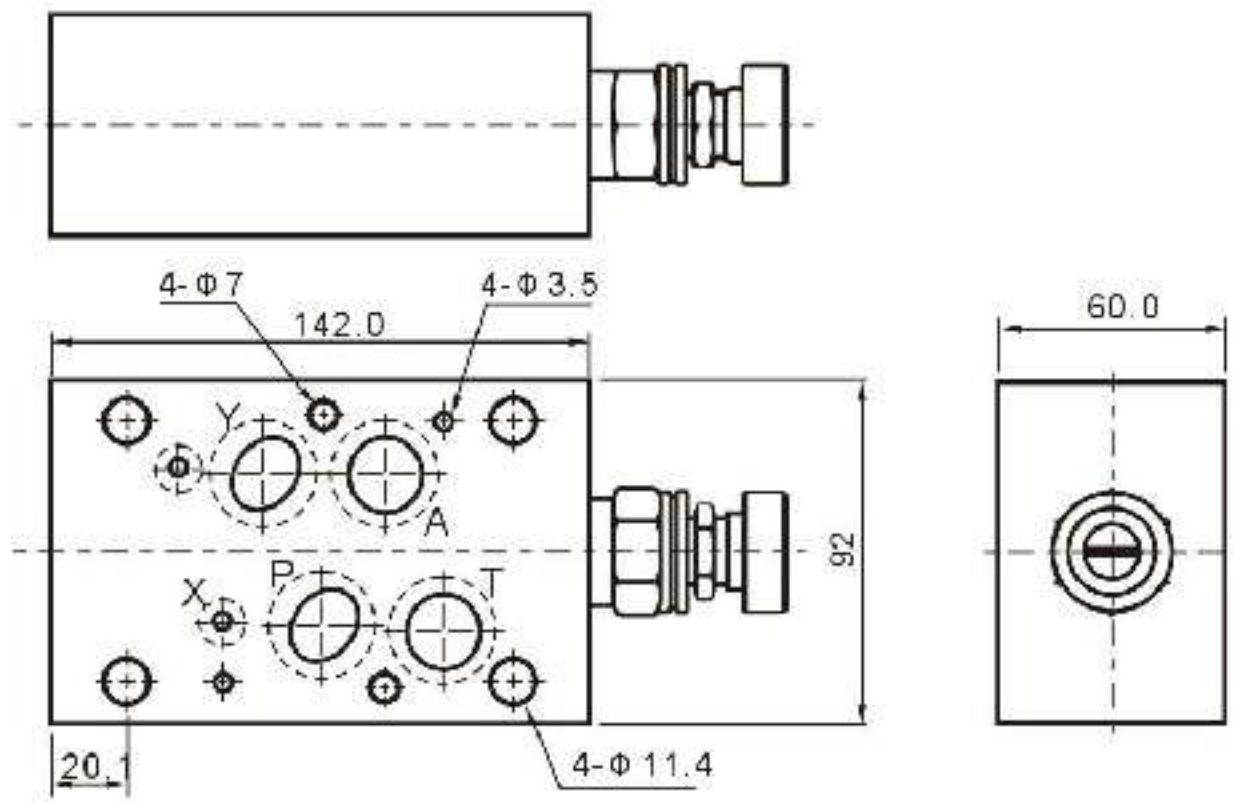
MRV-03D



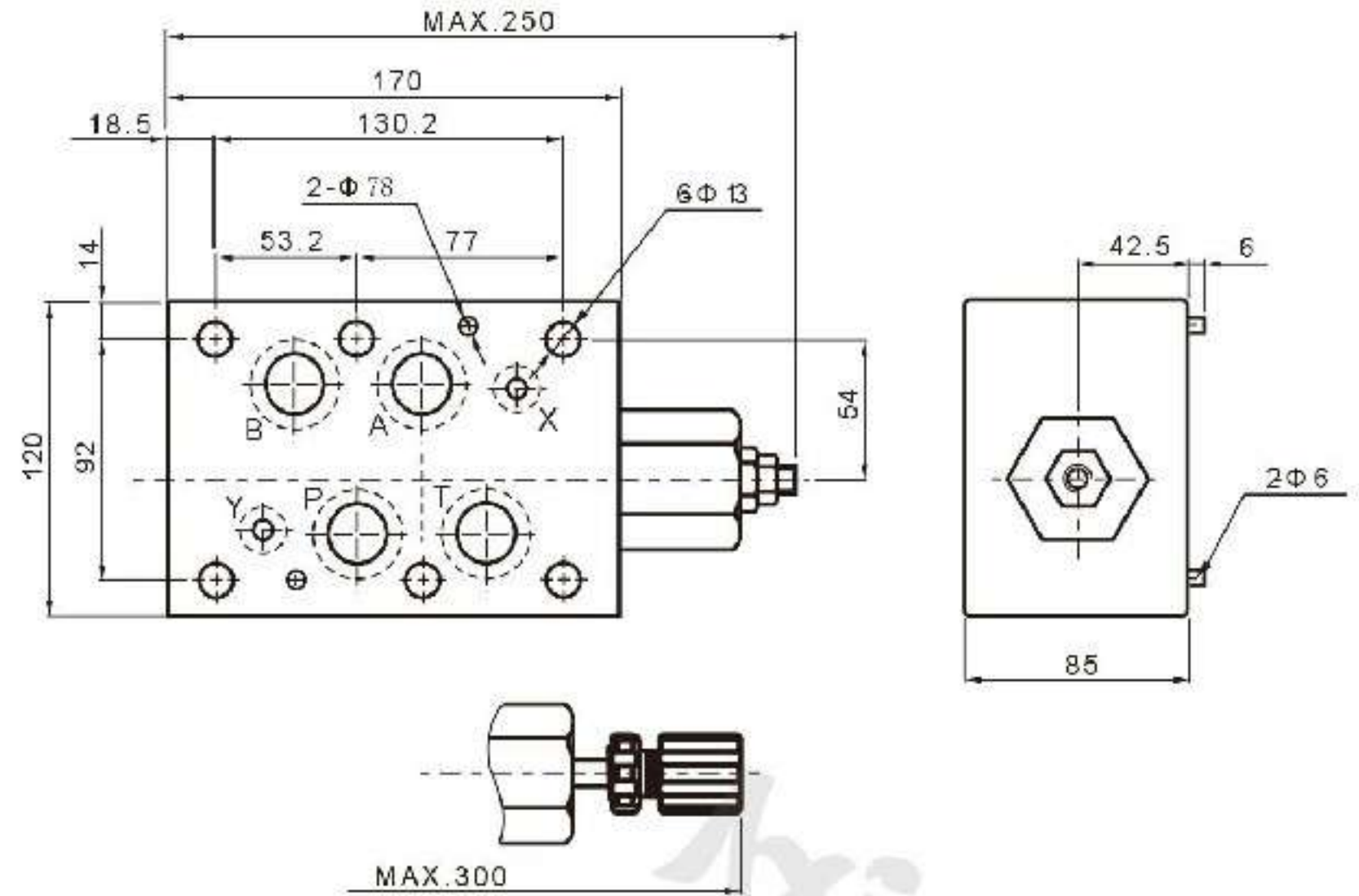
Dimensions

Unit: mm

MRV-04P



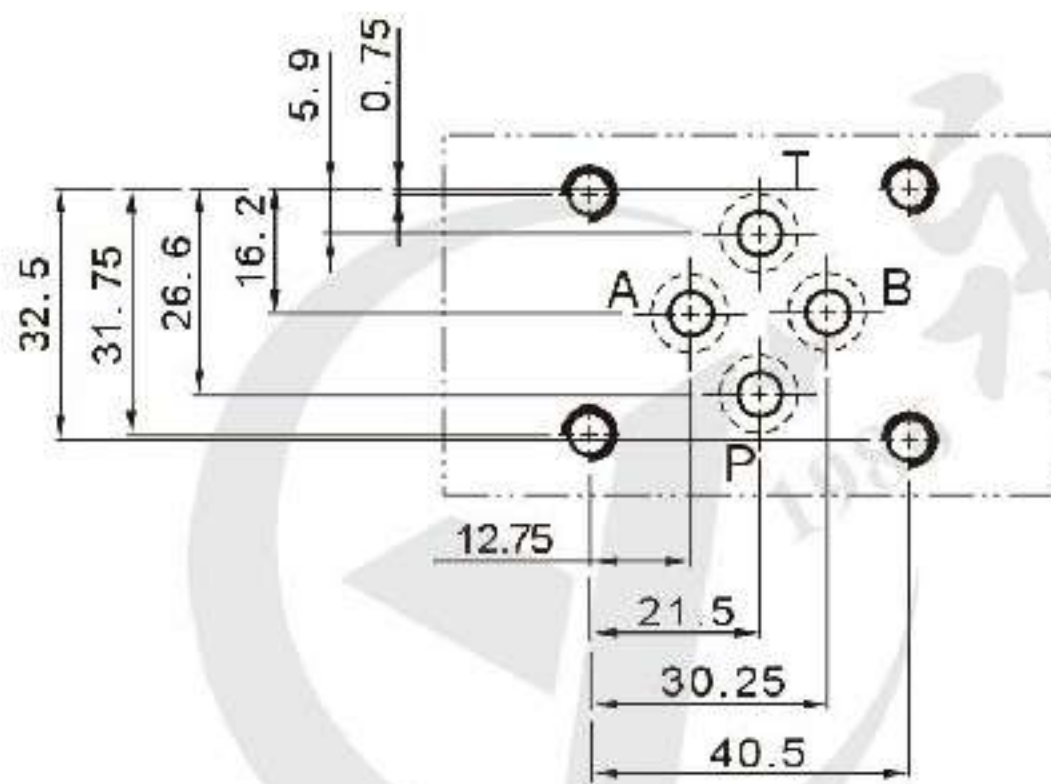
MRV-06P/A/B



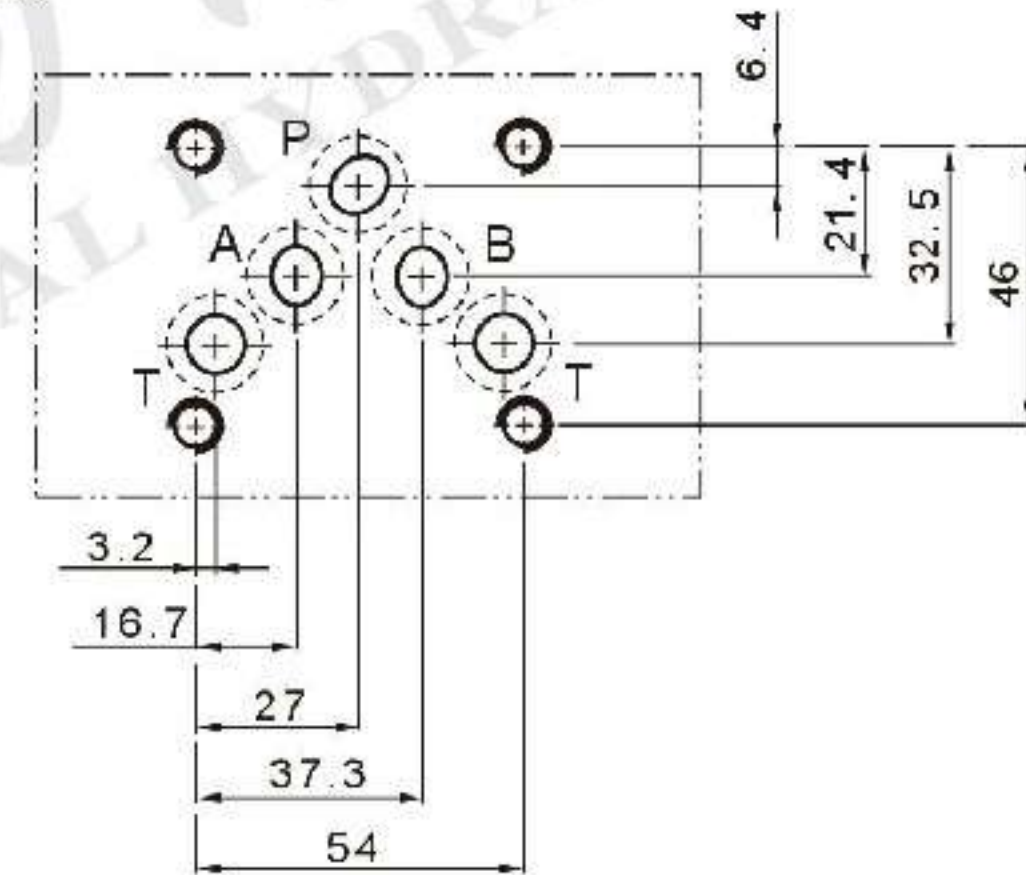
Mounting size

Unit: mm

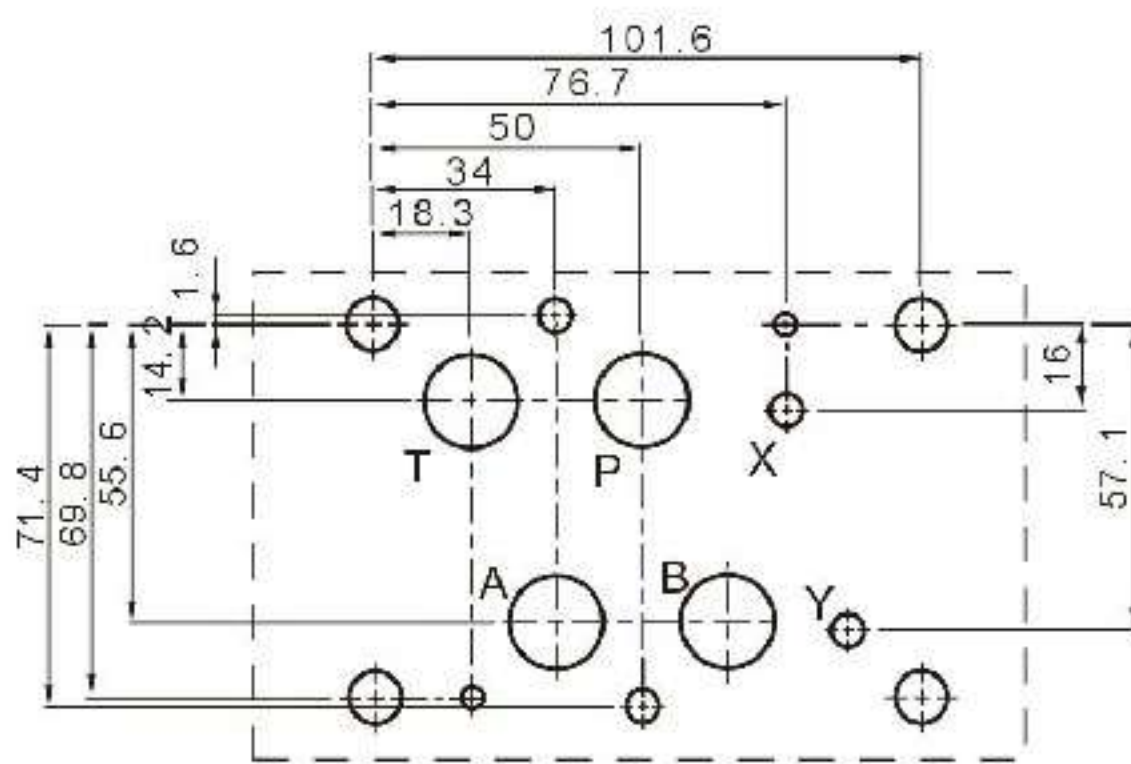
MRV-02



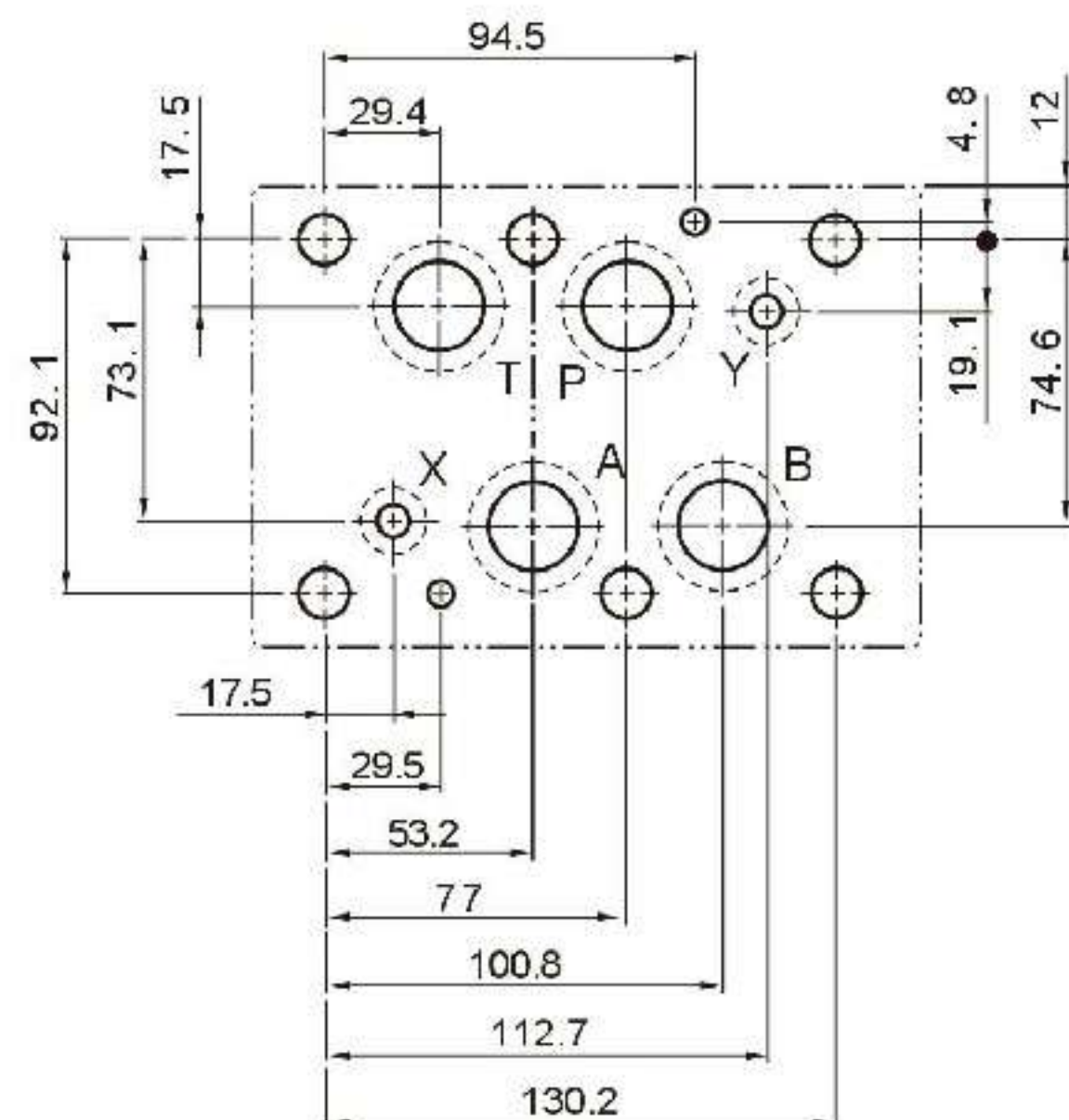
MRV-03



MRV-04



MRV-06



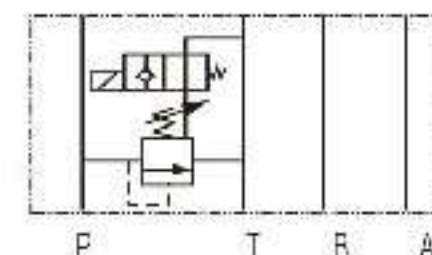
MSRV series modular solenoid operated relief valves can control flow for positive direction pass oil port. It not only can adjust flow by handle, but also use solenoid valve to control the station of relief valve.



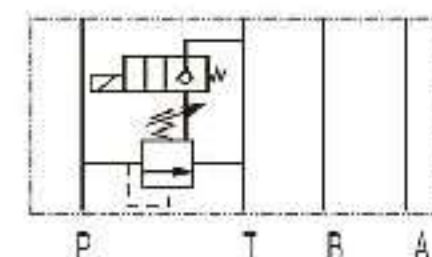
Technical specification

Model	MSRV-03
Max. flow rate (l/min)	70
Working pressure (MPa)	25
Weight(kgs)	3.6

Symbol list



MSR-03P-1PN



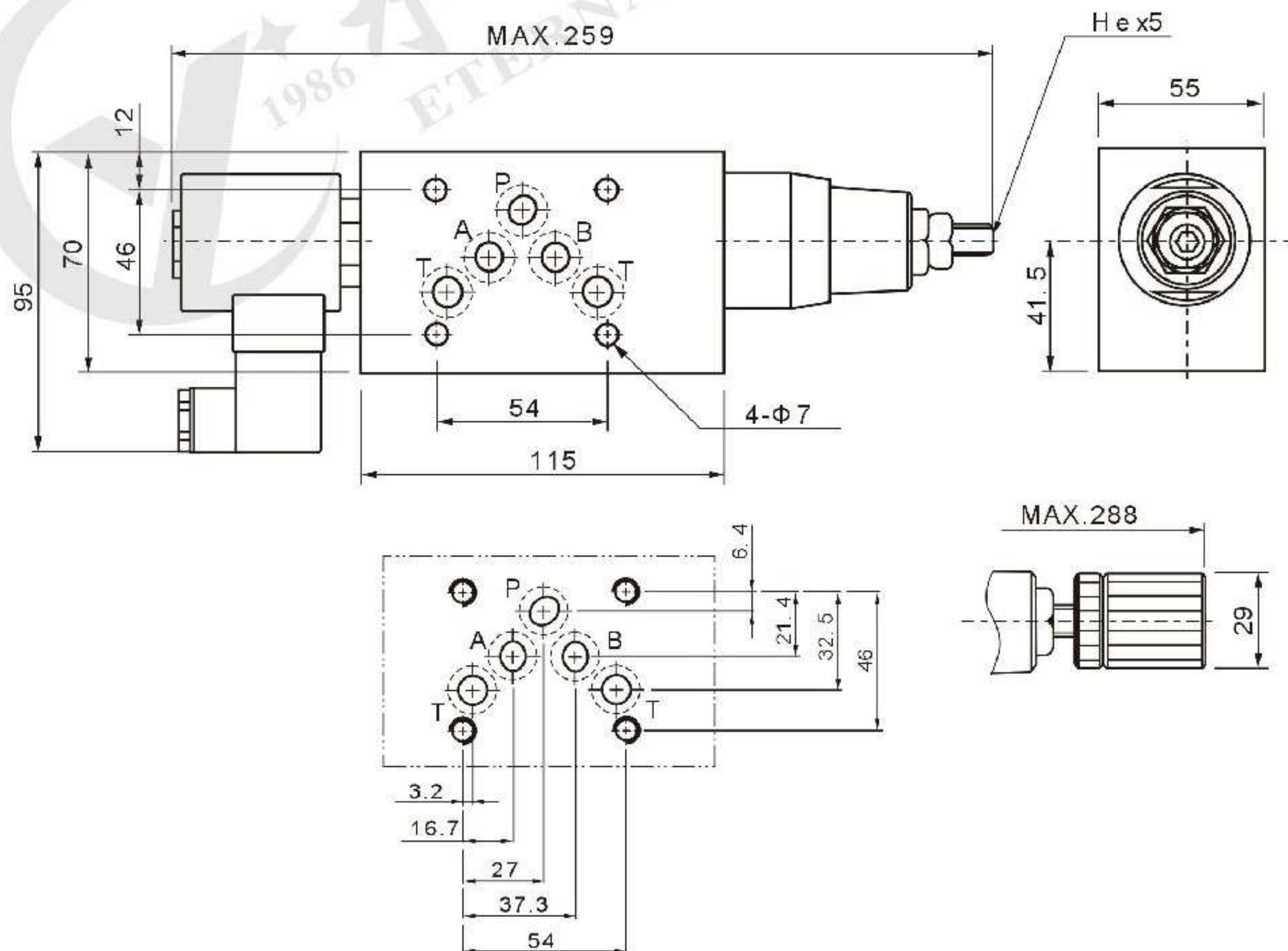
MSR-03P-1NP

Ordering details

MSRV	03	P	1PN	K	1	A230	20
Sort	Nominal size	Relief form	Normal state	Adjustment type	Pressure adjustment range	Input voltage	Design code
Modular solenoid operated relief valve	03:NG10 Cetop5	P:P→T	1PN:Normal open 1NP:Normal closed	No code: Without knob K: With plastic kob	1:8~70bar 2:35~140bar 3:70~250bar	D12:DC12 D24:DC24 A115:AC115 A230:AC230	20

Dimensions

Unit: mm



MBRV series modular reducing valves are used to reduce the pressure in a certain circuit lower than of the main circuit.

Ordering details



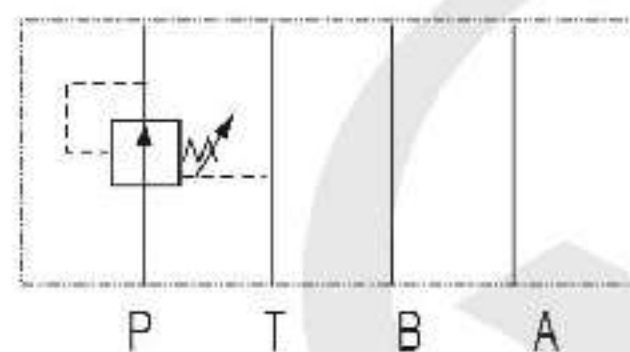
MBRV	02	P	K	1	20
Sort	Nominal size	Pilot oil port	Adjustment type	Pressure adjustment range	Design code
Modular relief valve	02:NG6 Cetop3 03:NG10 Cetop5 04:NG16 Cetop7 06:NG22 Cetop8	P:P port A:A port B:B port	No code: Without knob K: With plastic knob	1:8~70bar 2:35~140bar 3:70~250bar	20

Technical specification

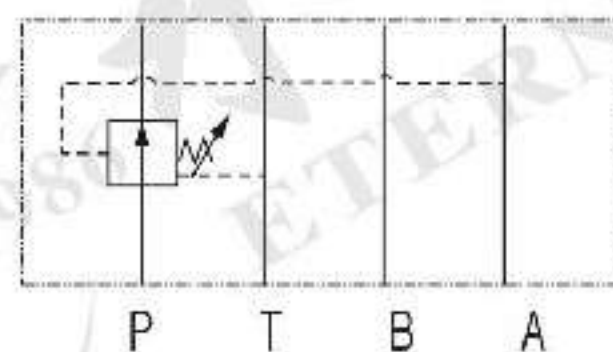
Model	MBRV-02	MBRV-03	MBRV-04	MBRV-06
Max. flow rate (l/min)	35	70	300	450
Working pressure (MPa)	25			
Weight(kgs)	1.2	3.3	7.5	11.6



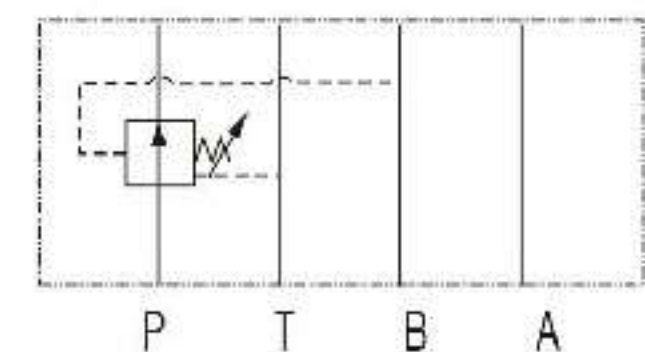
Symbol list



MBRV-P



MBRV-A

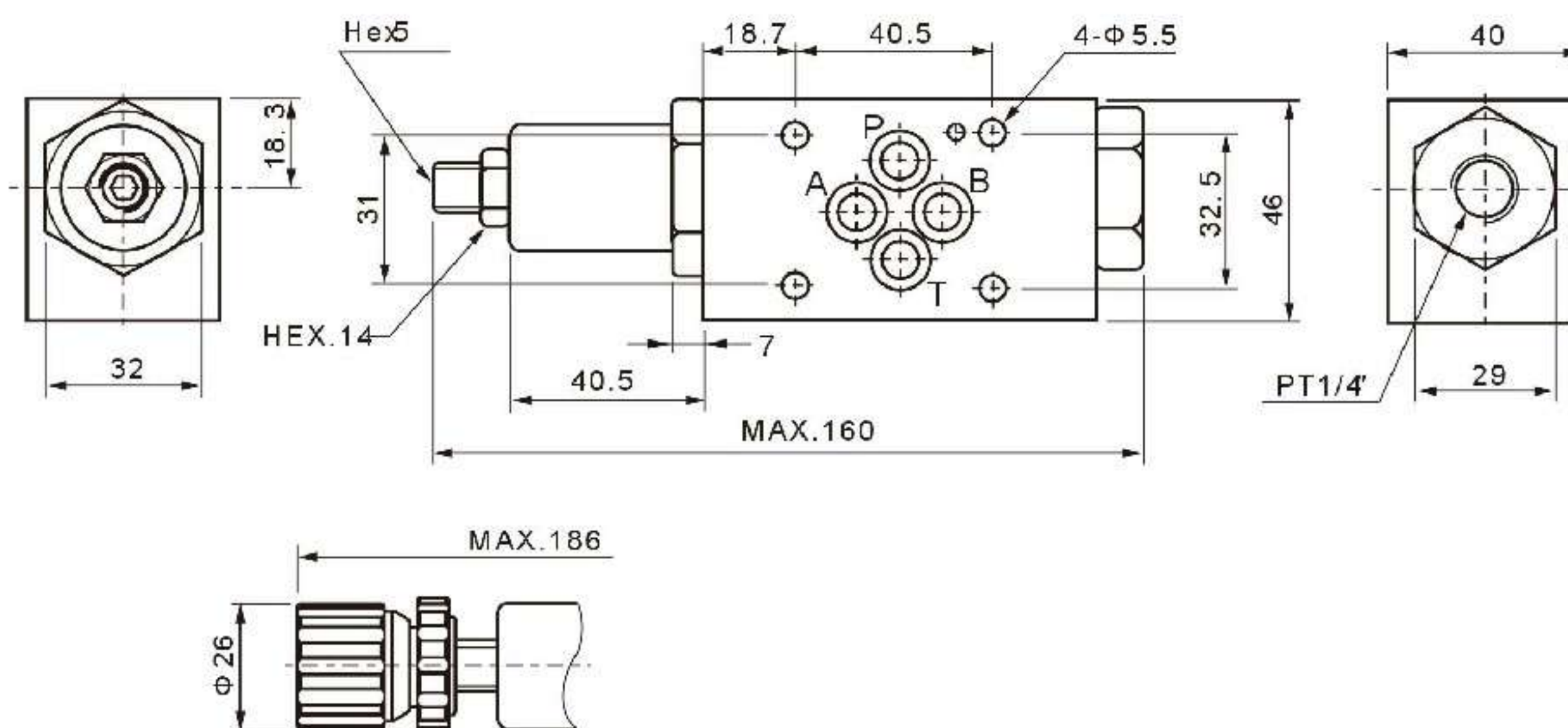


MBRV-B

Dimensions

Unit: mm

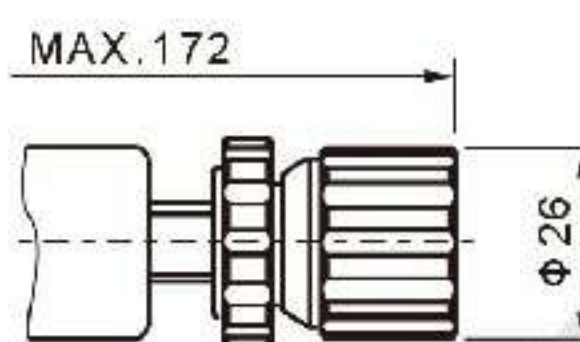
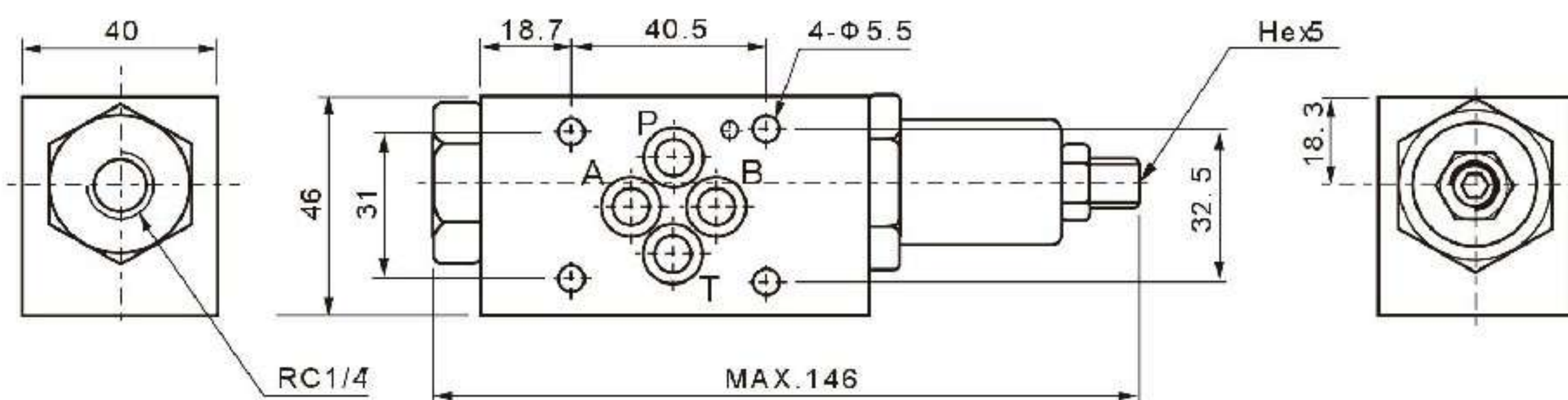
MBRV-02B



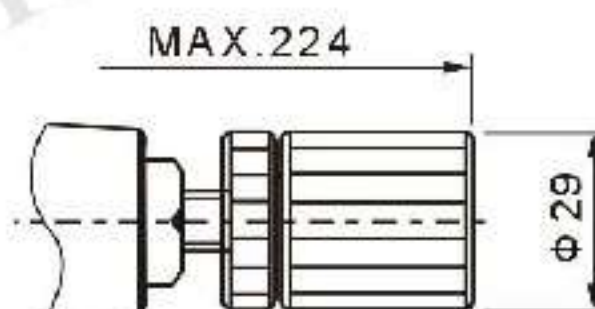
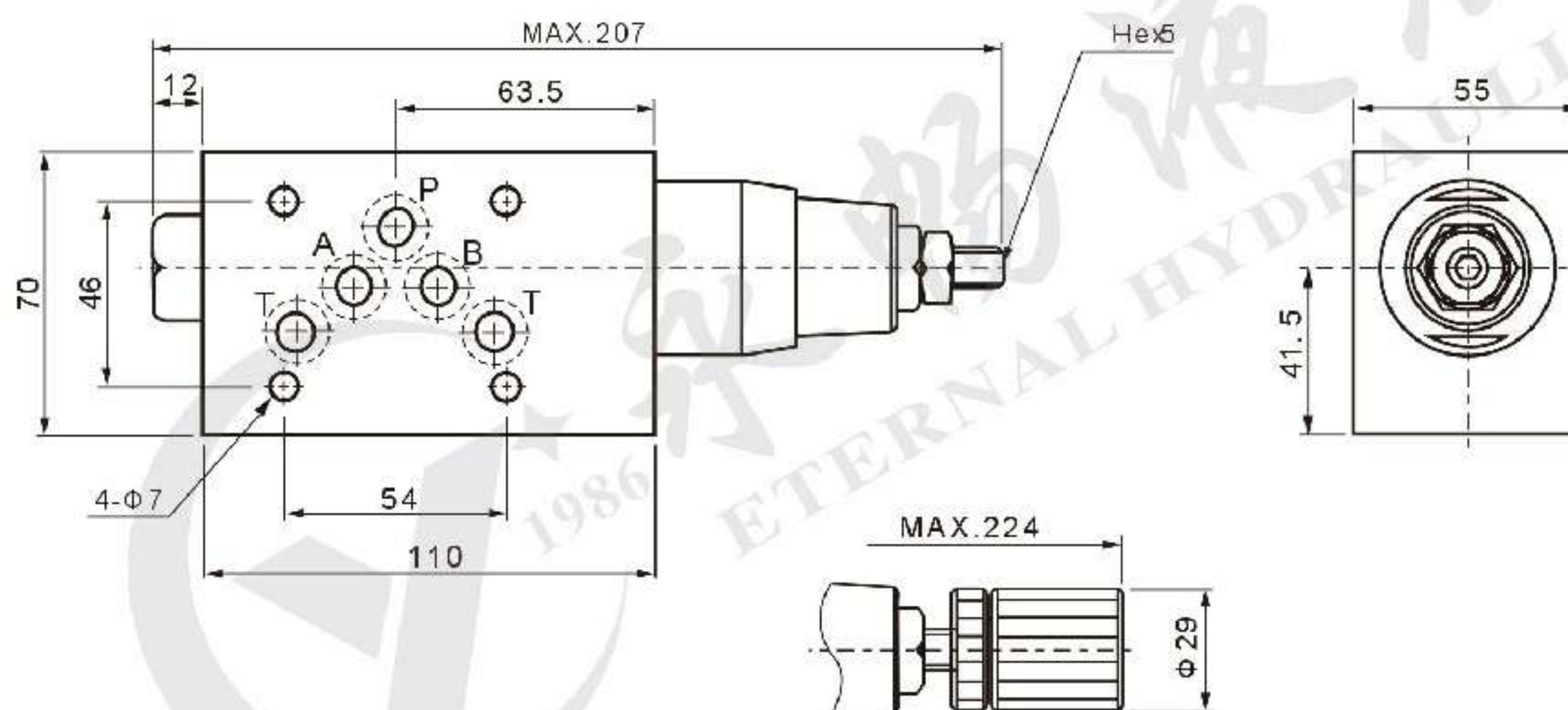
Dimensions

Unit: mm

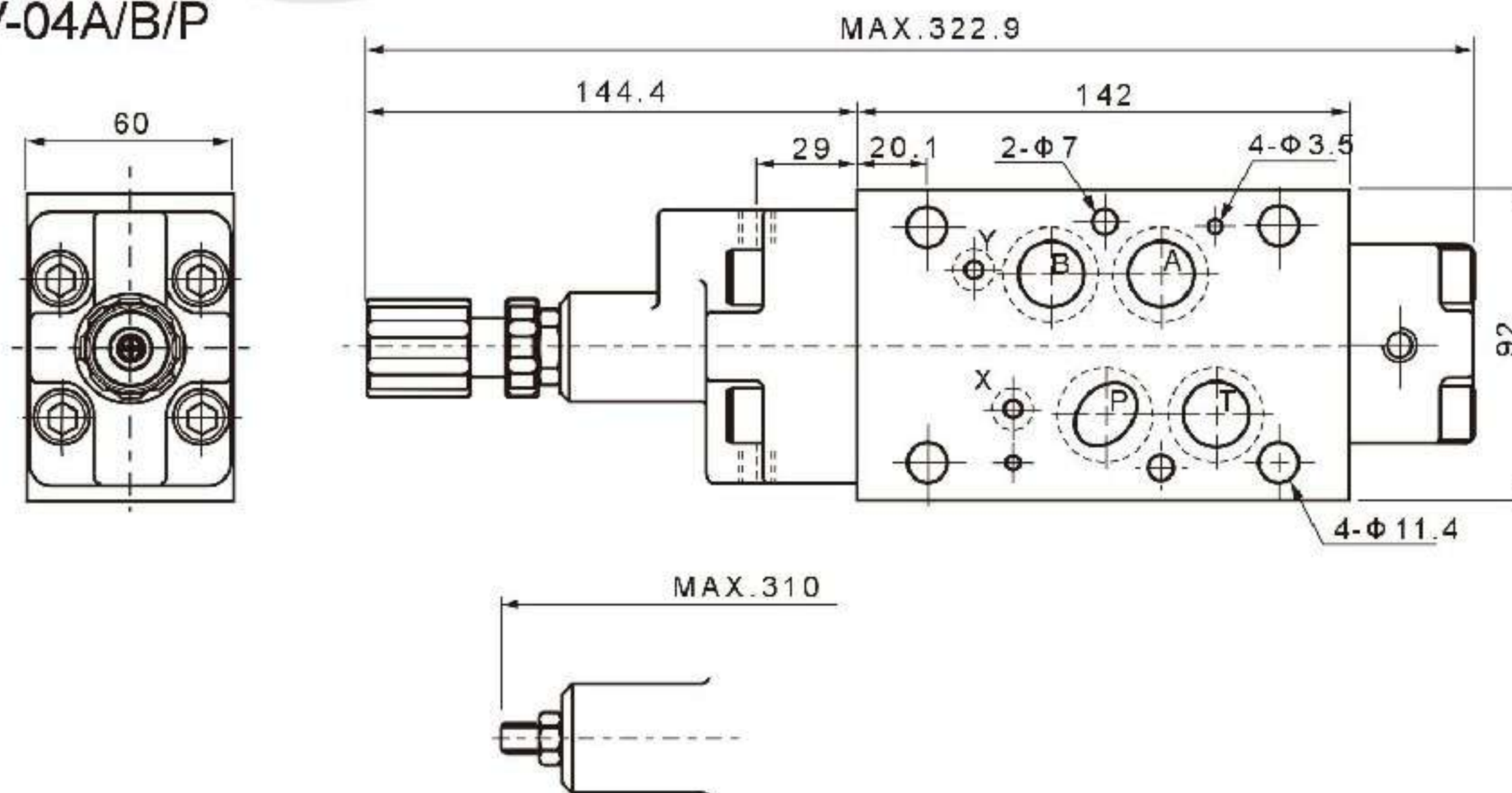
MBRV-02A/P



MBRV-03A/B/P



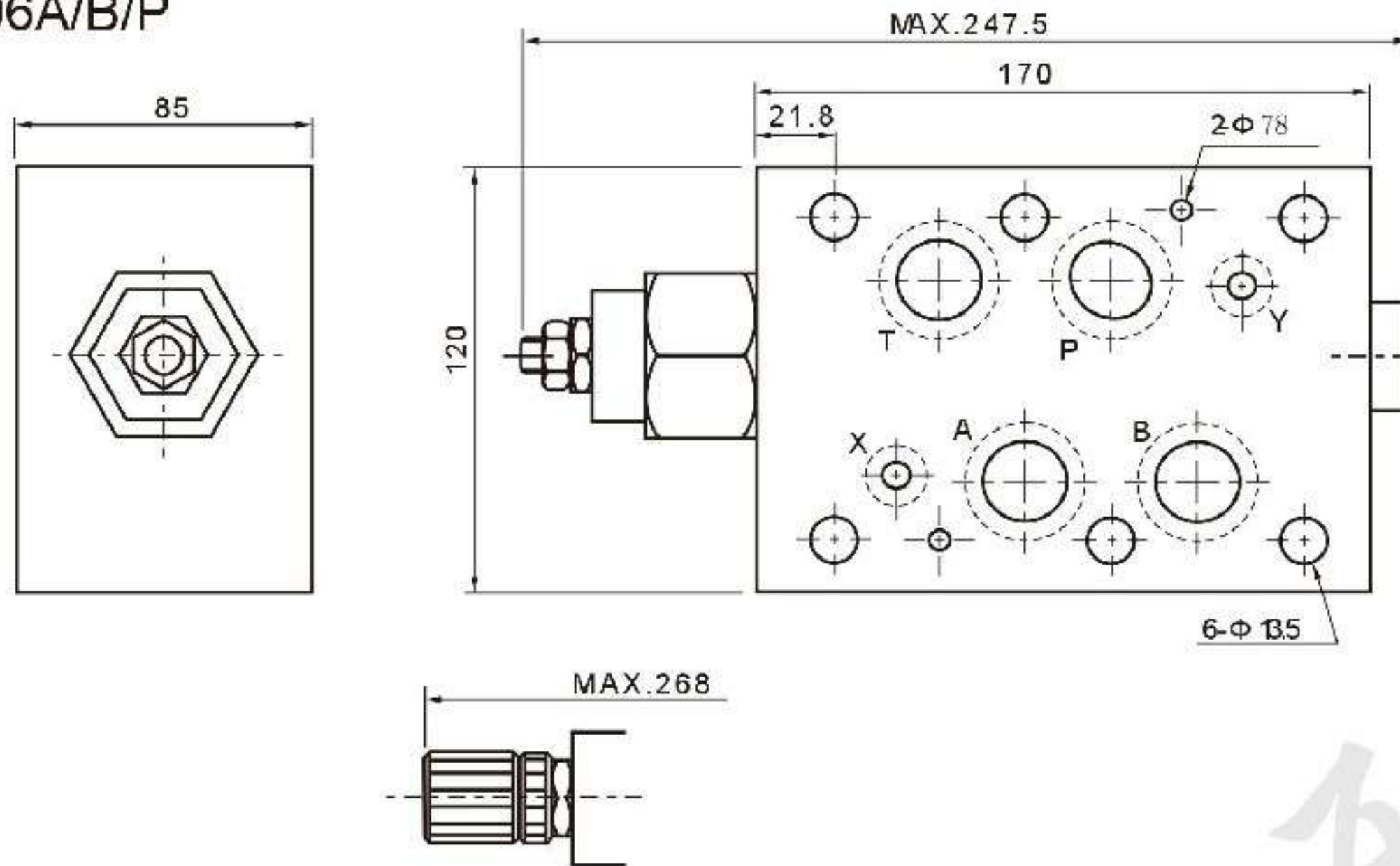
MBRV-04A/B/P



Dimensions

Unit: mm

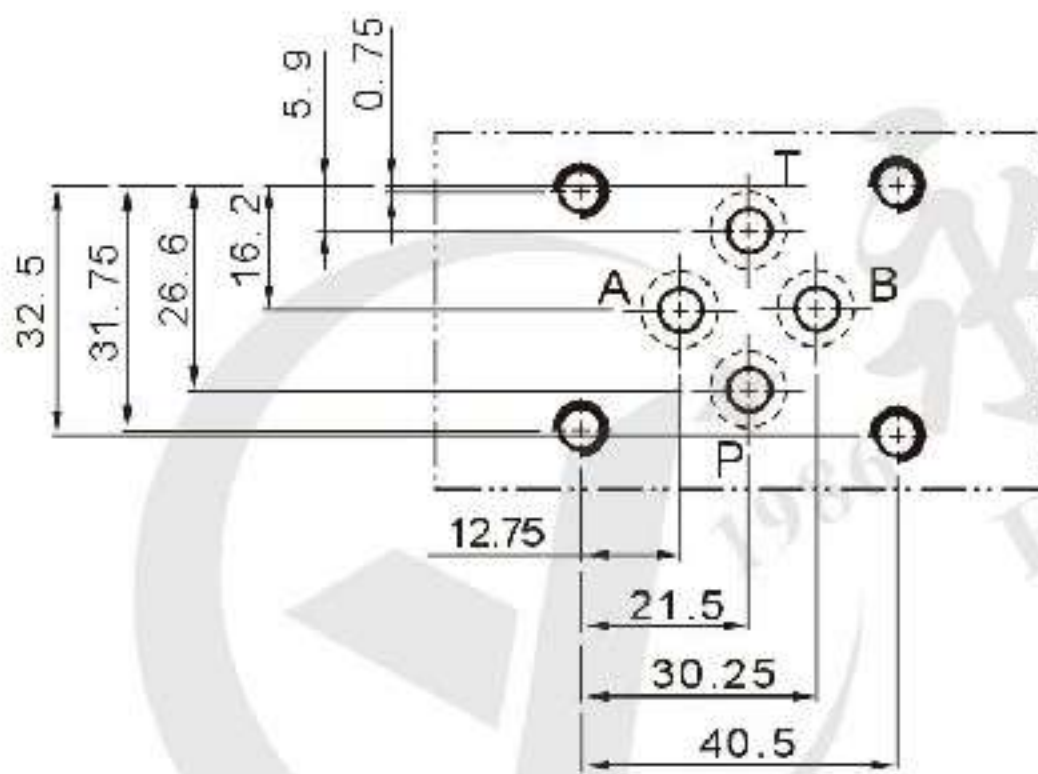
MBRV-06A/B/P



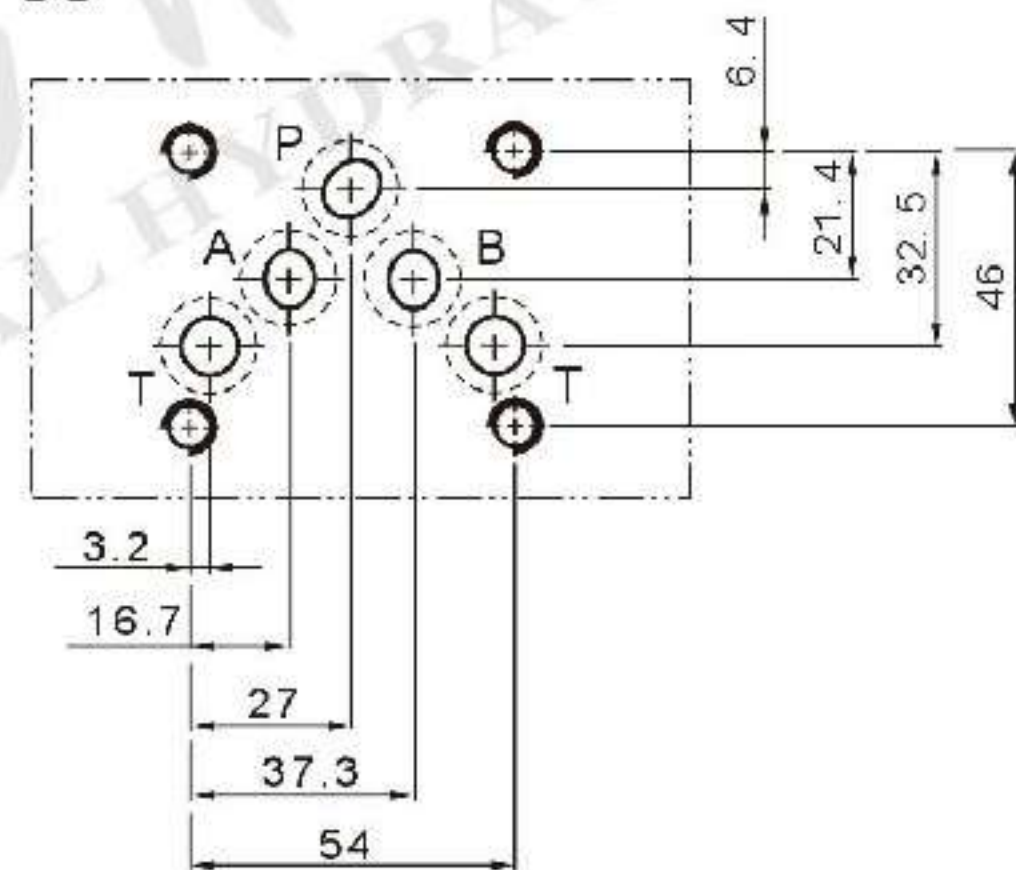
Mounting size

Unit: mm

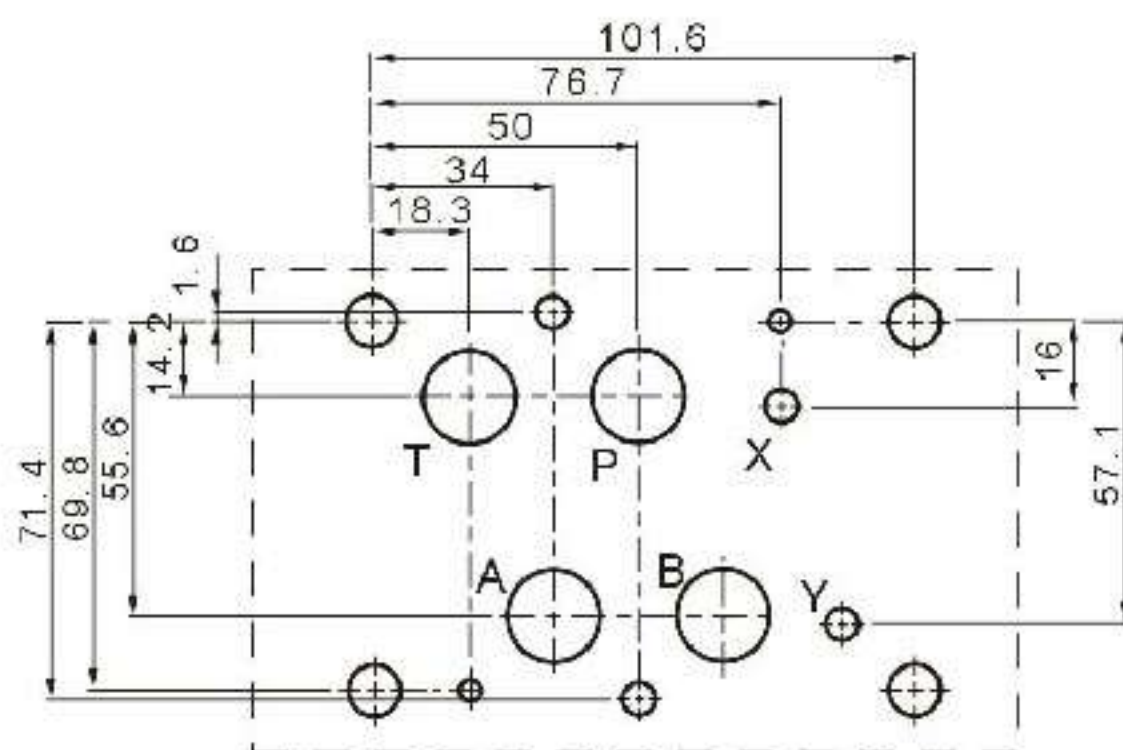
MBRV-02



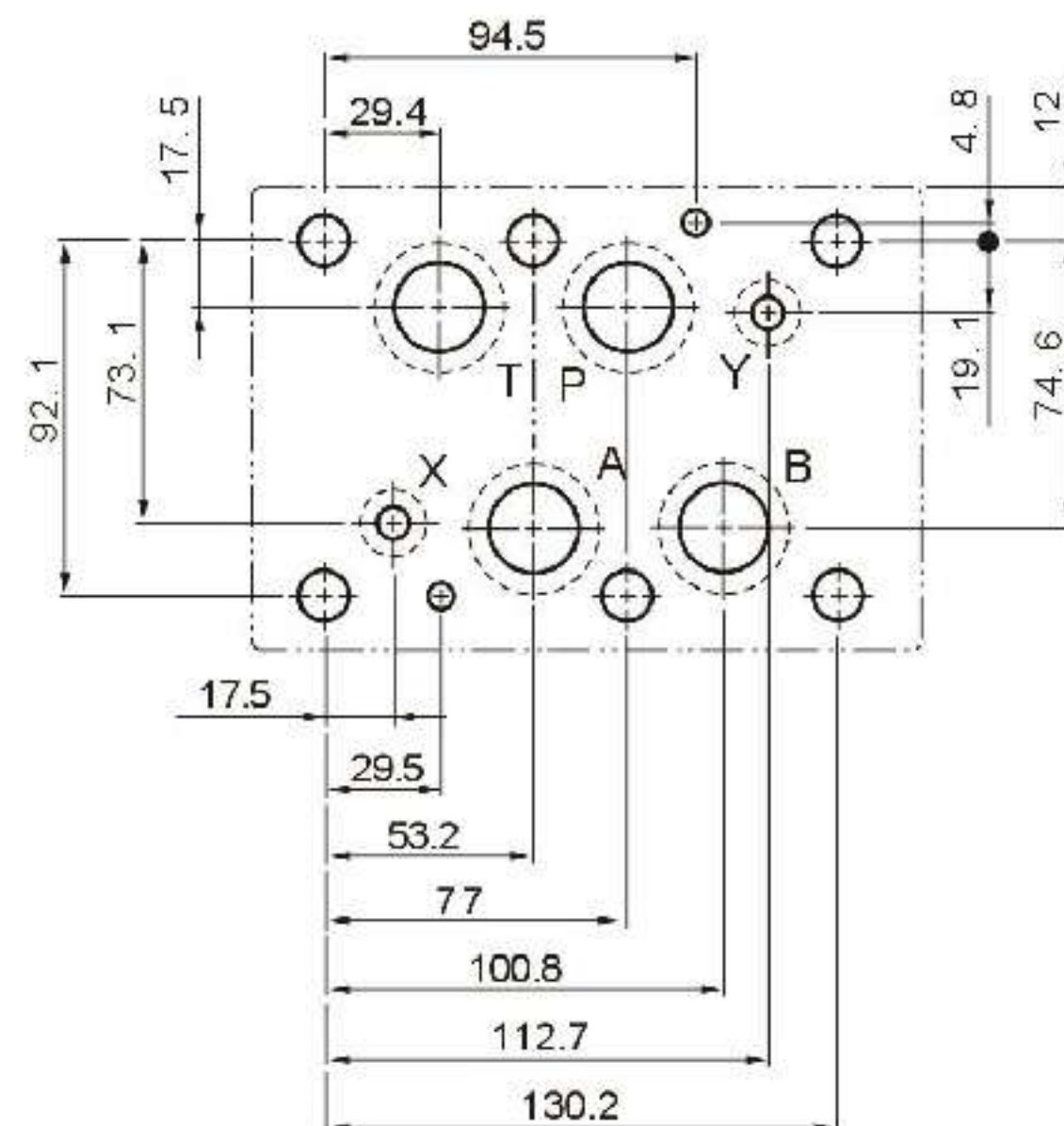
MBRV-03



MBRV-04



MBRV-06



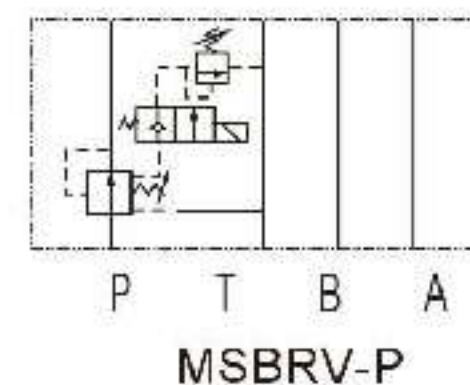
MBSRV series modular solenoid operated reducing valves are used to reduce the pressure in a certain circuit lower than of the main circuit, using solenoid valves can control pressure reducing range in two state.



Technical specification

Model	MSBRV-02	MSBRV-03
Max.flow rate (l/min)	35	70
Working pressure (MPa)	25	
Weight(kgs)	4.8	8.2

Symbol list

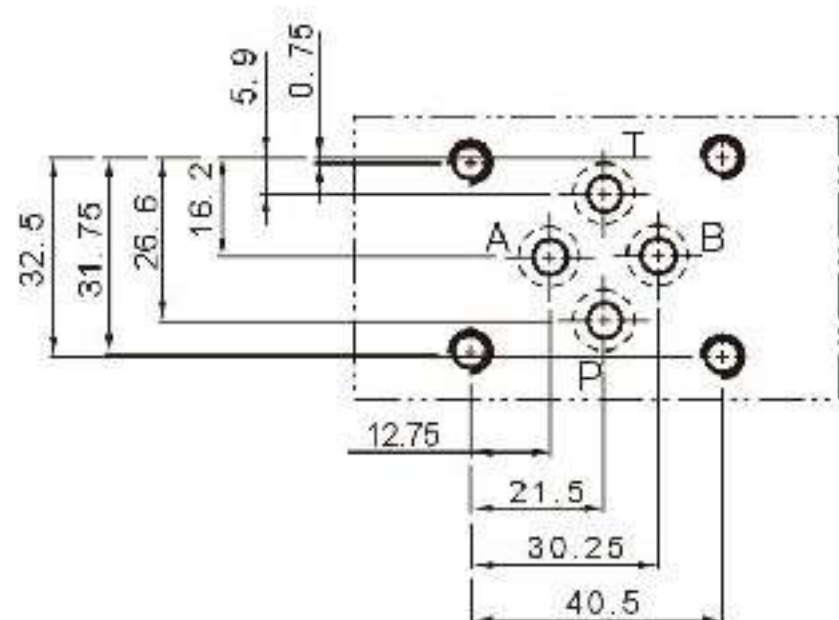
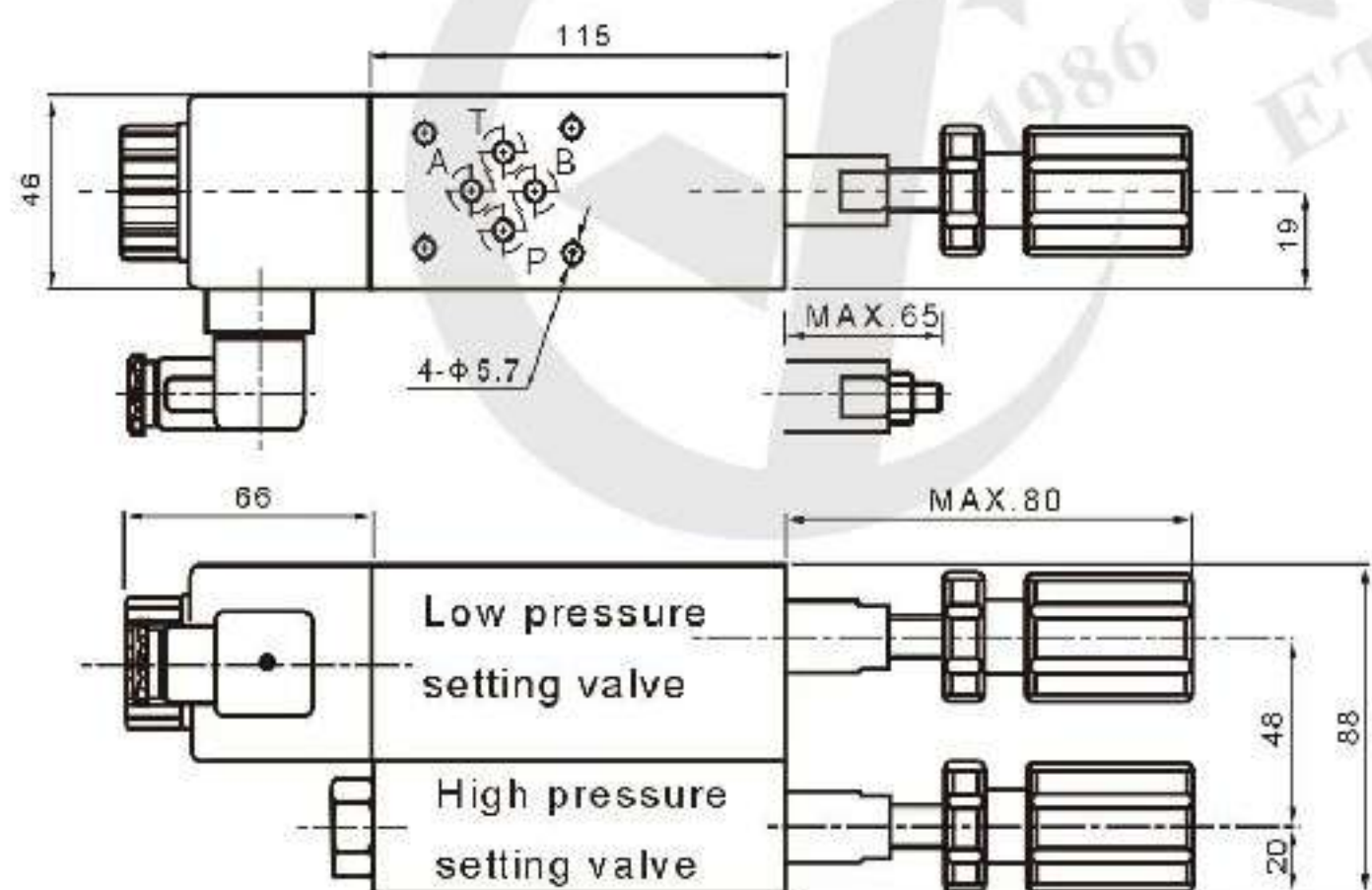


Ordering details

MSBRV	02	P	1	K	1	A230	20
Sort	Nominal size	Pilot oil port	High pressure adjustment range	Adjustment type	Low pressure adjustment range	Input voltage	Design code
Modular solenoid operated reducing valve	02:NG6 Cetop3 03:NG10 Cetop5	P:P port	0:1.5~35bar 1:8~70bar 2:35~140bar 3:70~250bar	No code: Without knob K: With plastic kob	0:1.5~35bar 1:8~70bar 2:35~140bar 3:70~250bar	D12:DC12 D24:DC24 A115:AC115 A230:AC230	20

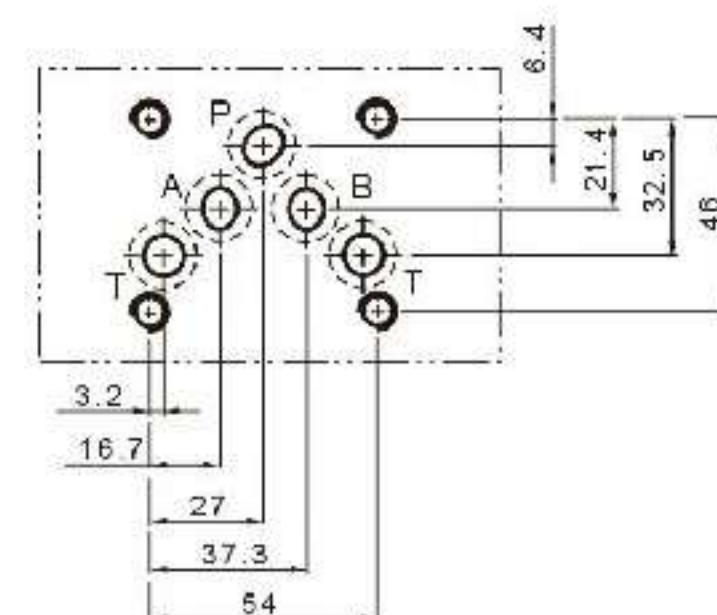
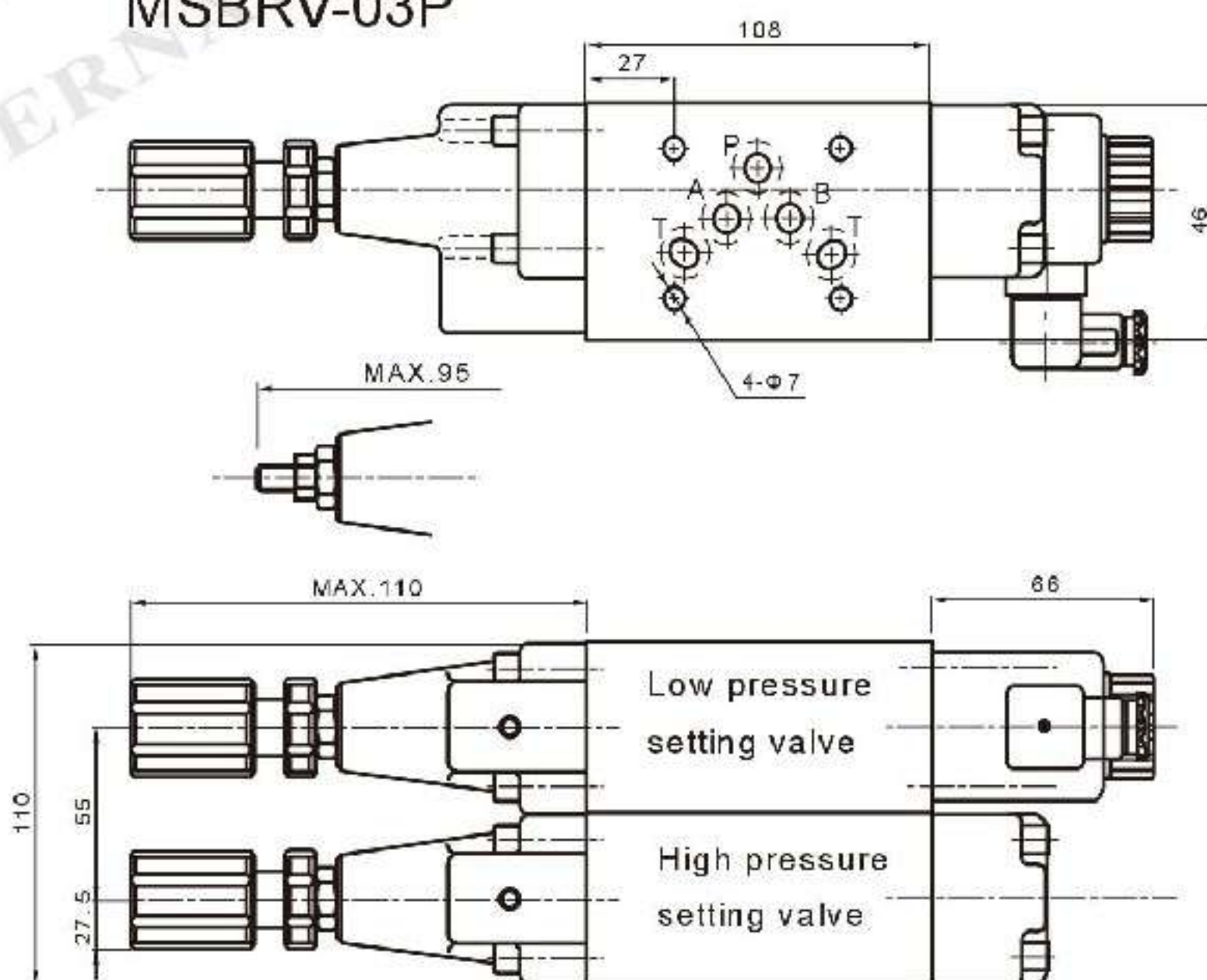
Dimensions

MSBRV-02P



Unit: mm

MSBRV-03P



MC series modular check valves allow free flow in one direction and block flow in the counter direction.



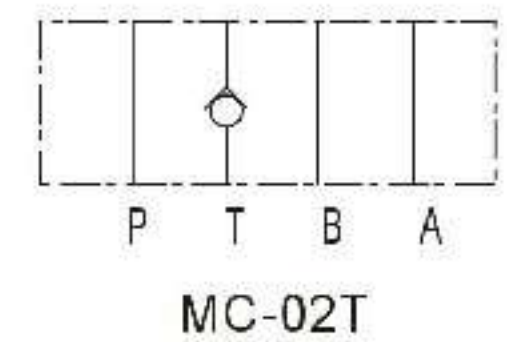
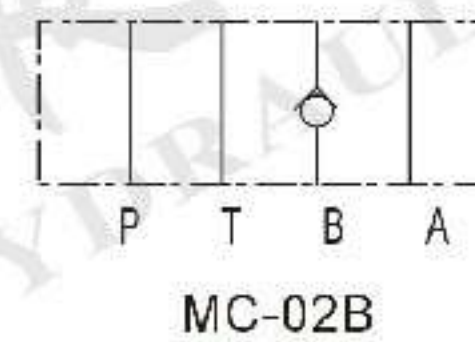
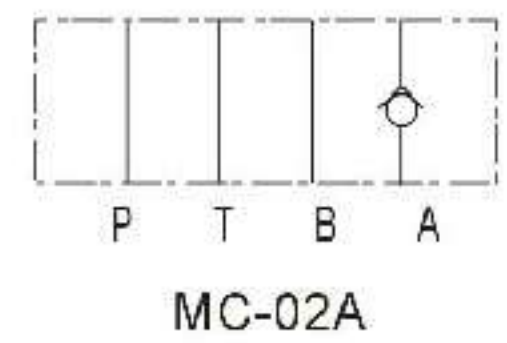
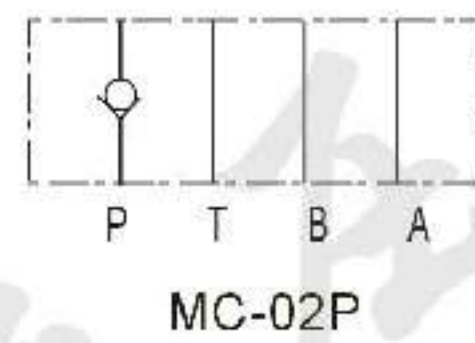
Ordering details

MC	02	P	05	20
Sort	Nominal size	Pilot oil port	Cracking pressure	Design code
Modular check valve	02:NG6 Cetop3 03:NG10 Cetop5 04:NG16 Cetop7 06:NG22 Cetop8	P:P port A:A port B:B port T:T port	05:0.35bar 50:3.5bar	20

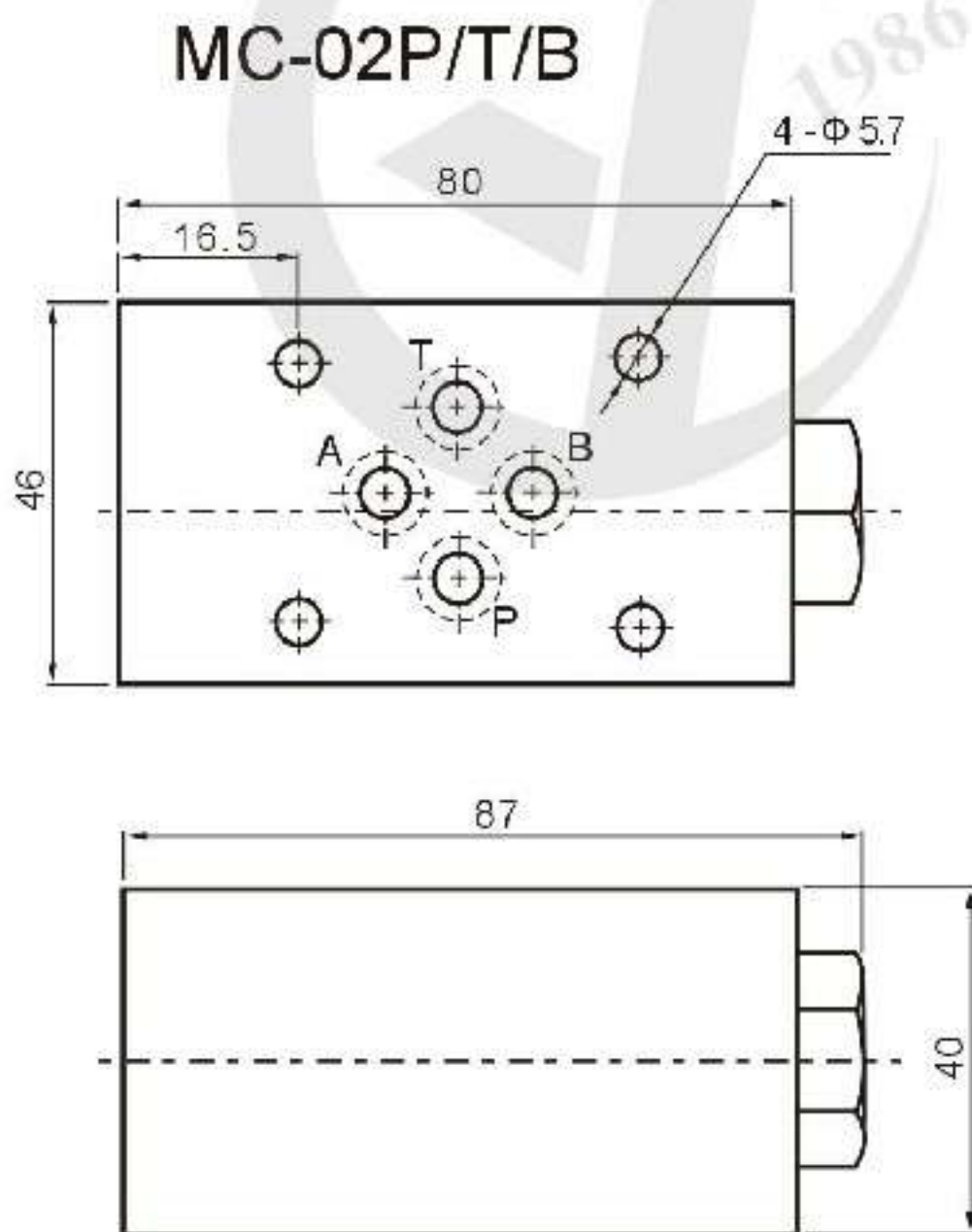
Technical specification

Model	MC-02	MC-03	MC-04	MC-06
Max. flow rate (l/min)	35	70	300	450
Working pressure (MPa)	25			
Weight(kgs)	1	2.5	4.8	10.5

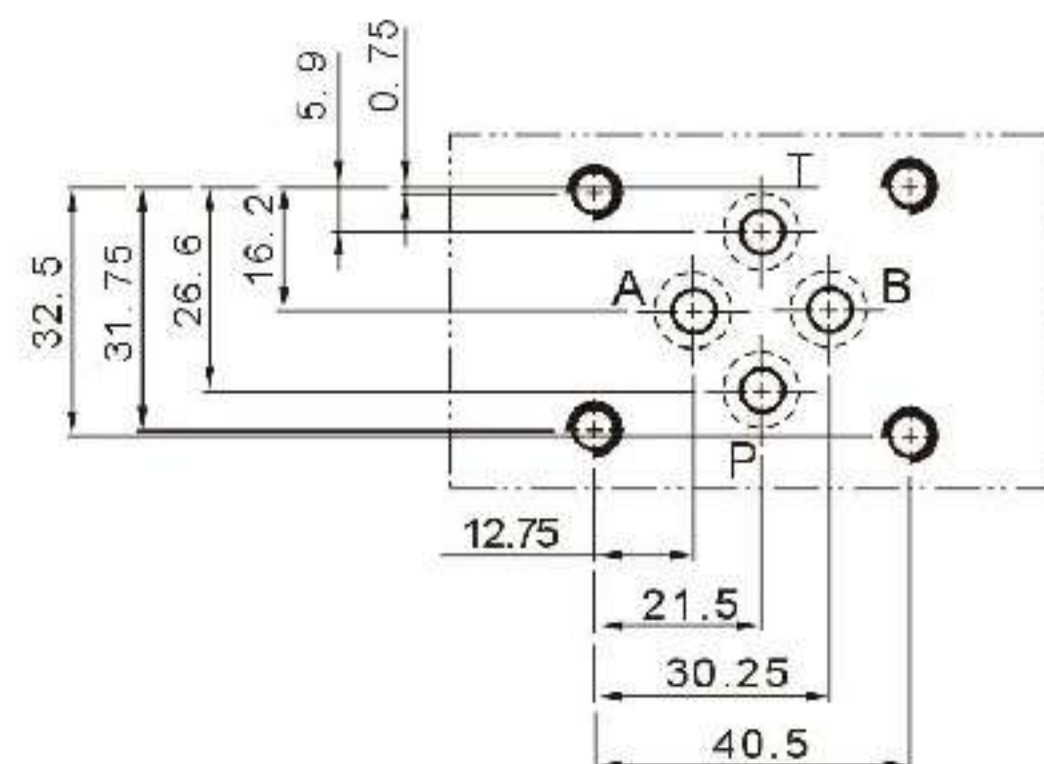
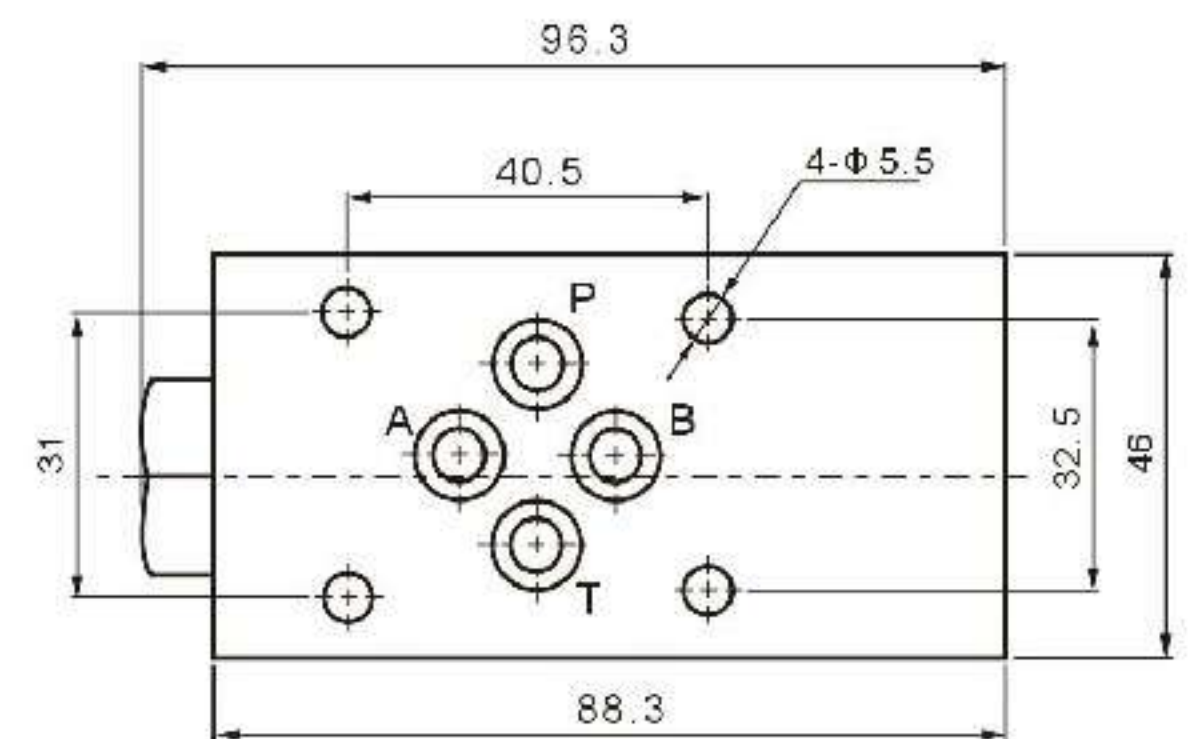
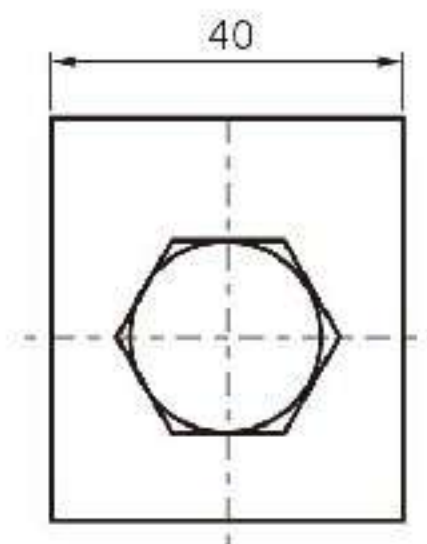
Symbol list



Dimensions



MC-02A

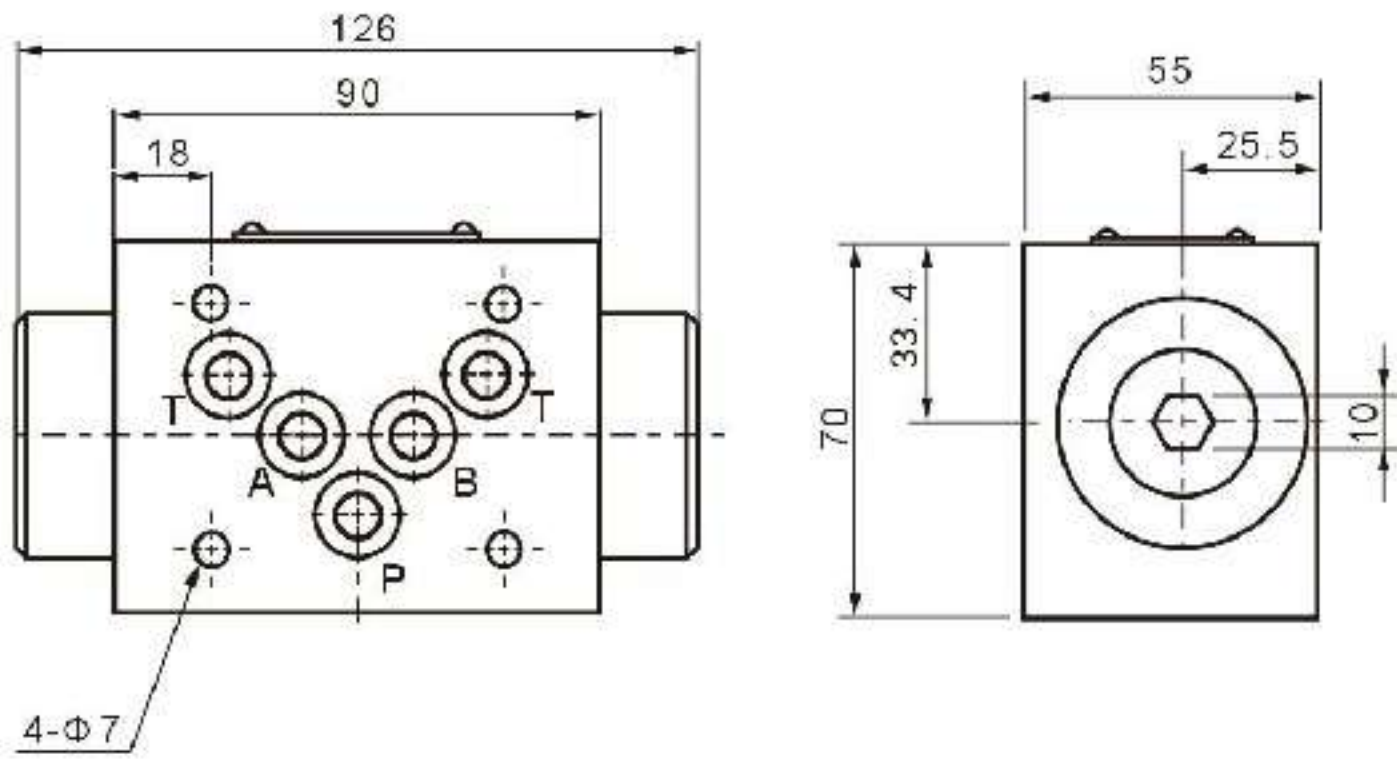


Unit: mm

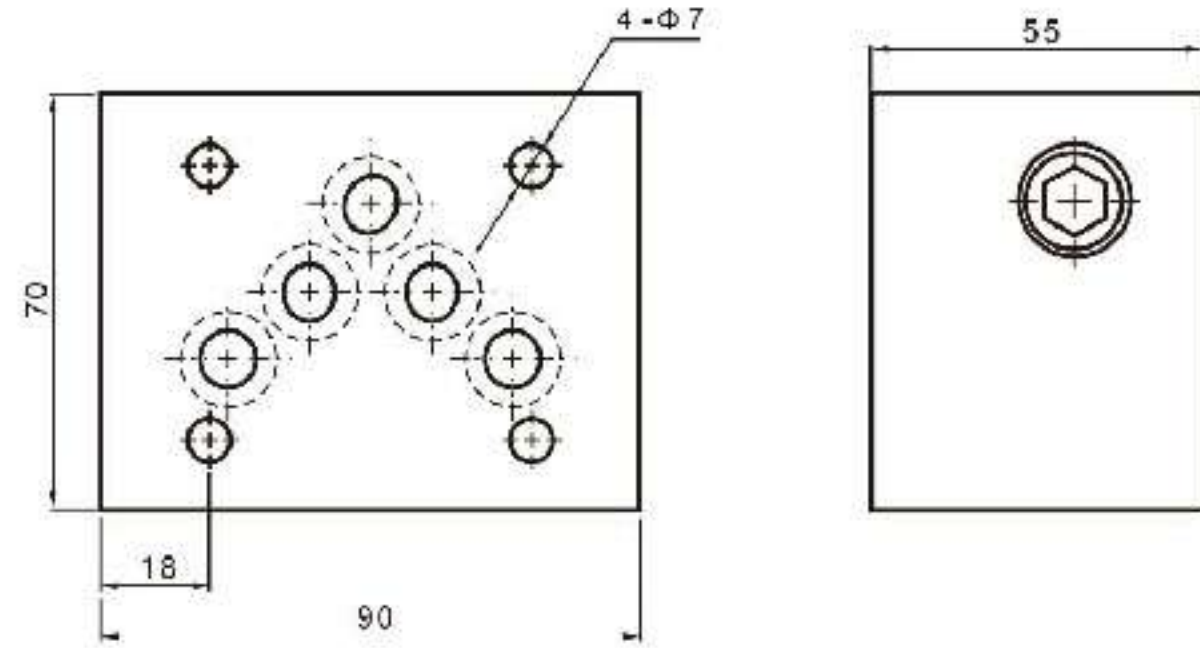
Dimensions

Unit: mm

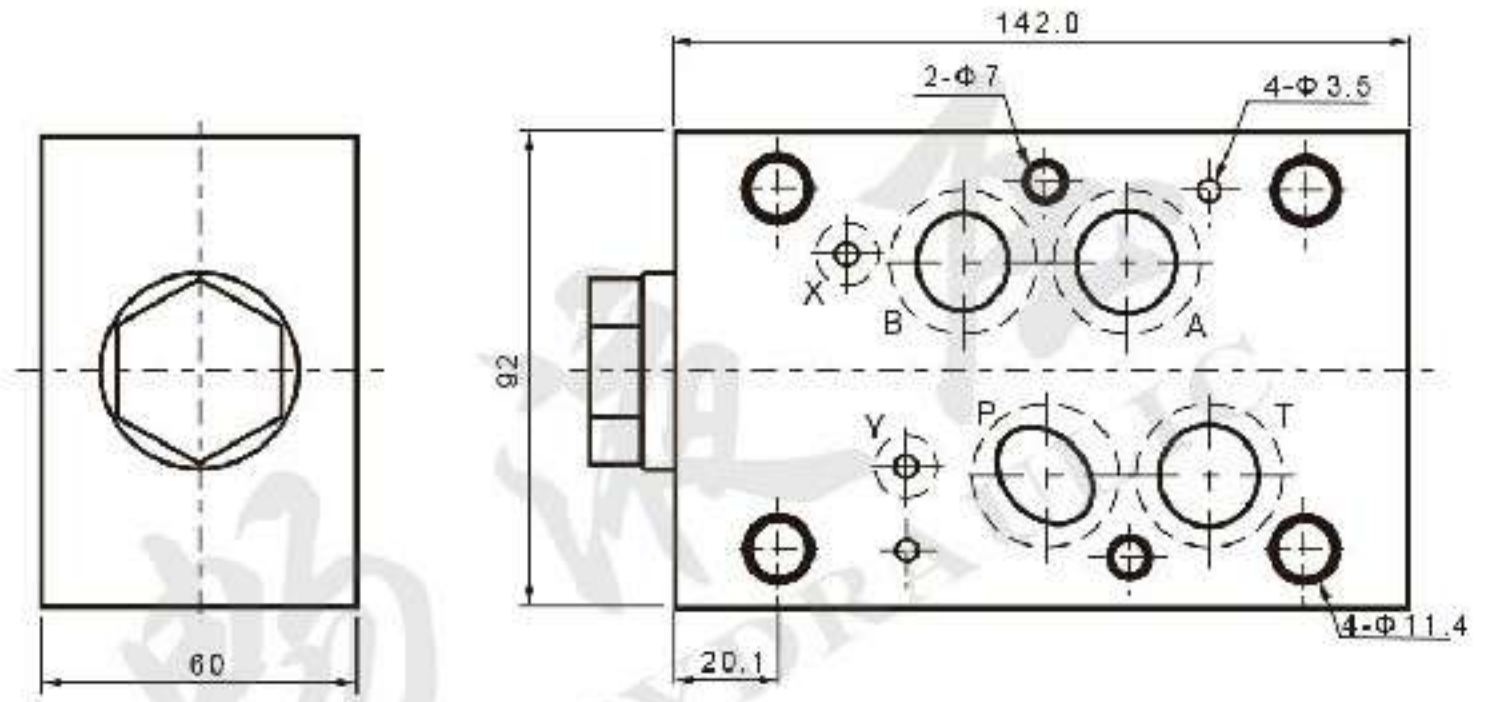
MC-03A/B



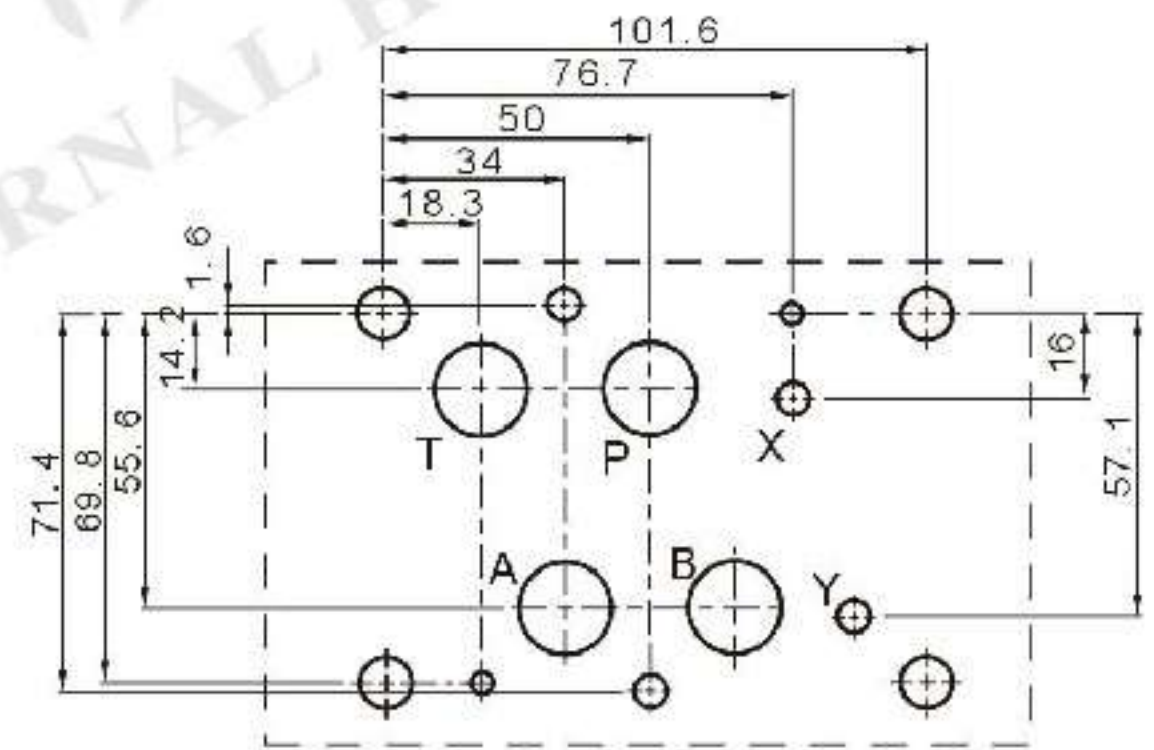
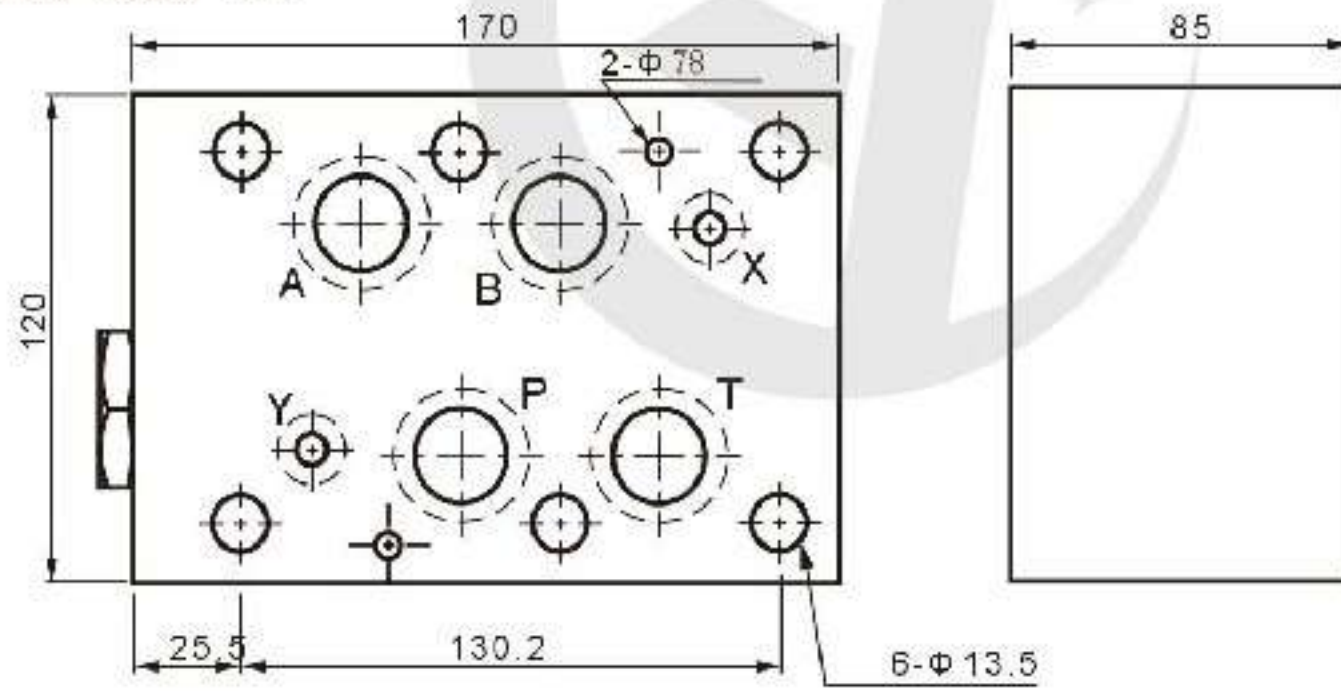
MC-03P/T



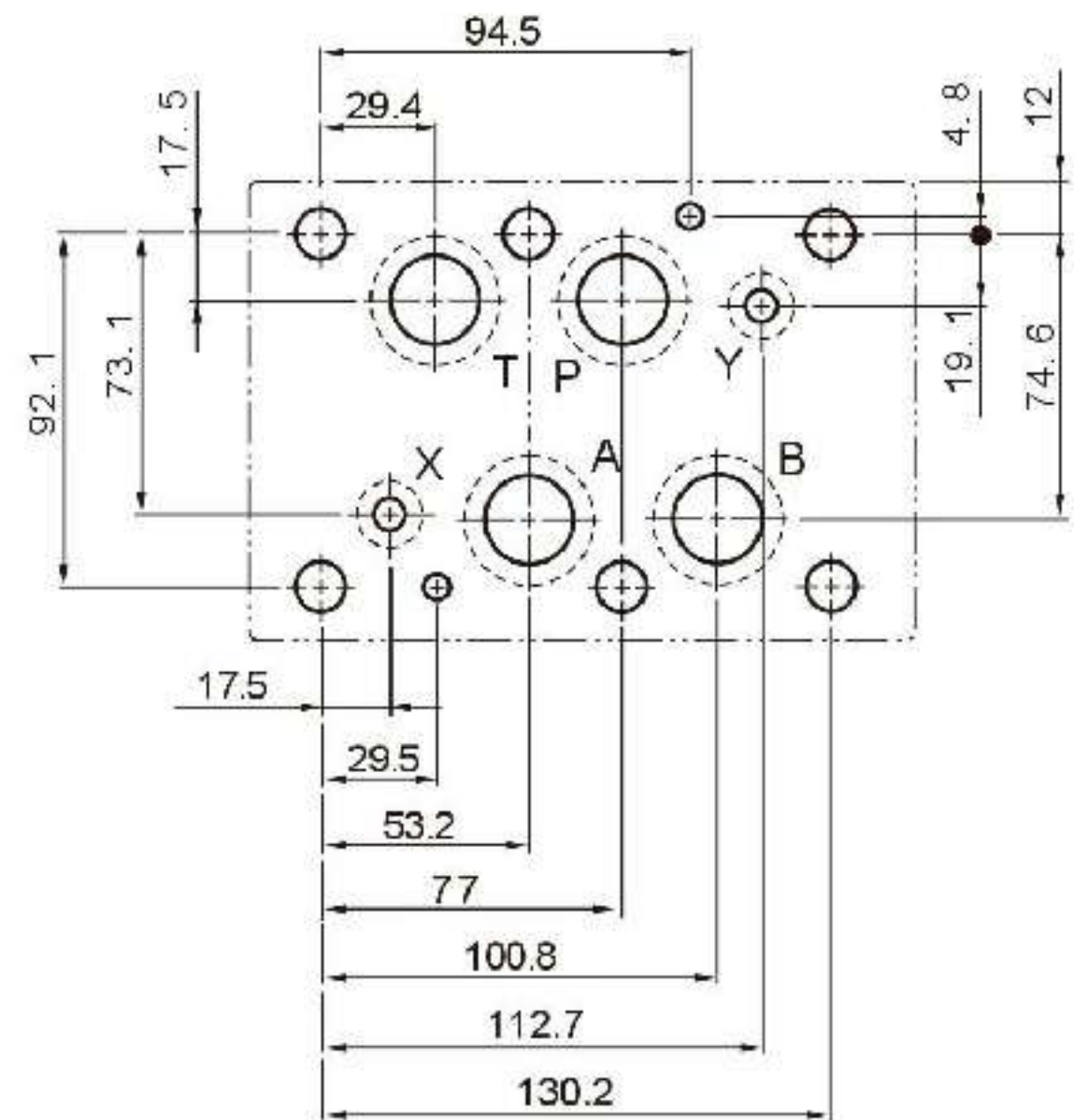
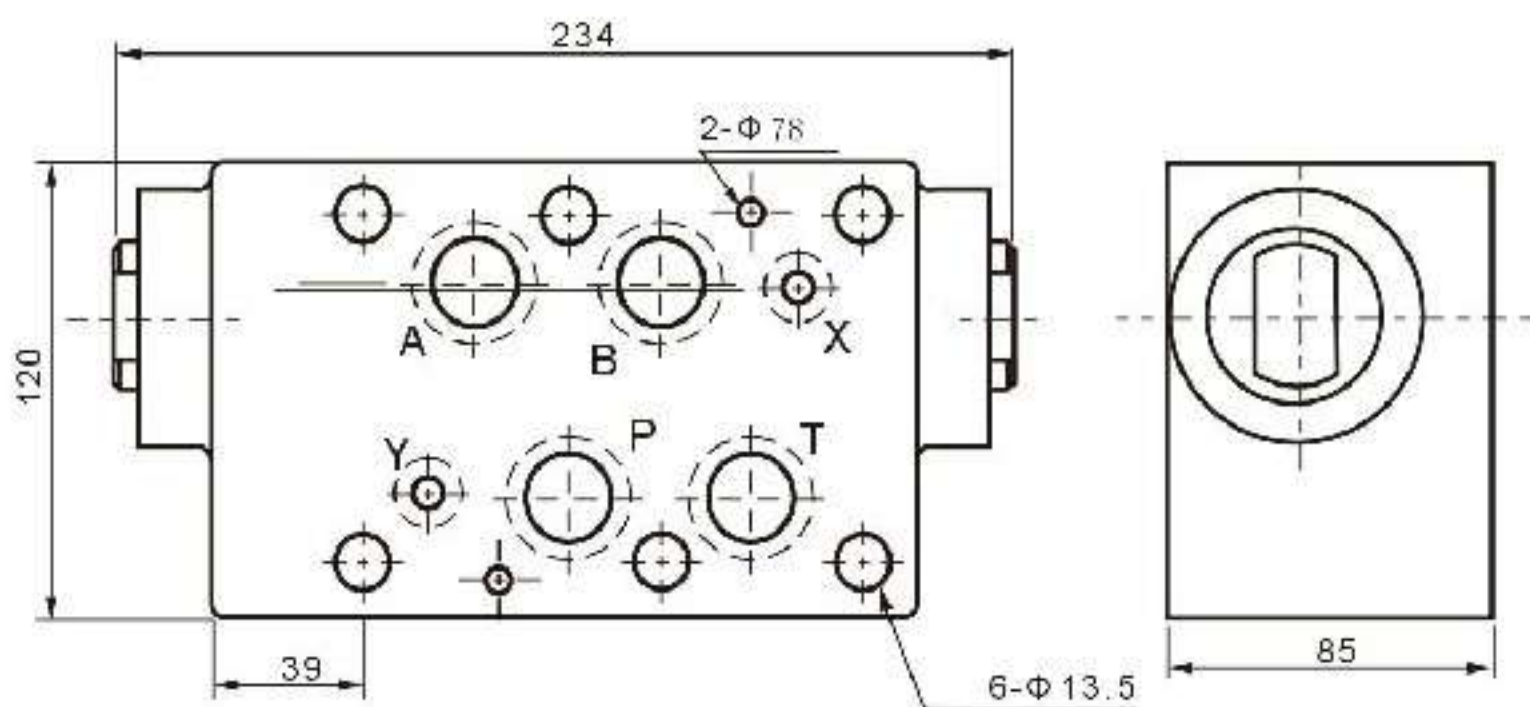
MC-04P



MC-06P/T



MC-06A/B



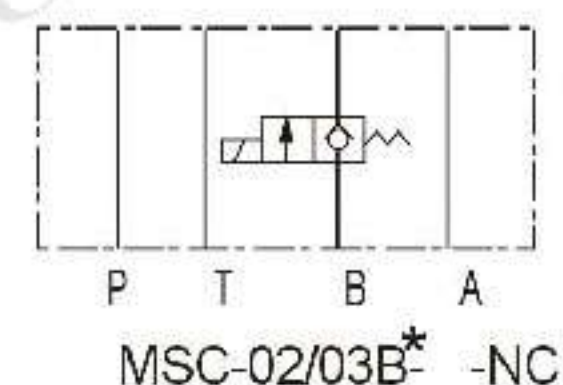
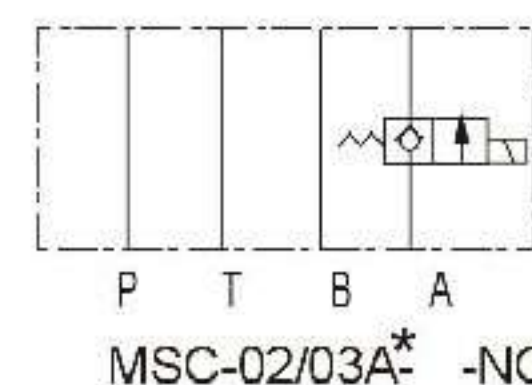
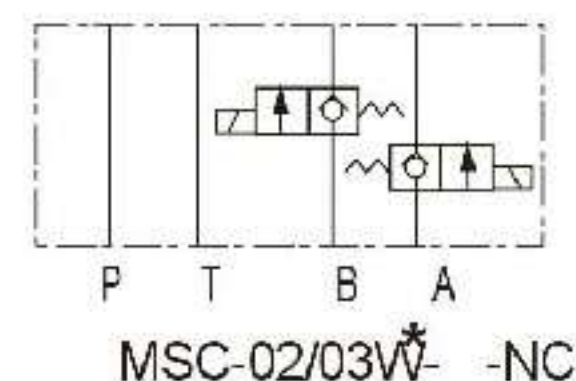
MSC series modular solenoid operated check valves can use solenoid valve to make some oil ports normal open or flow in one way.



Technical specification

Model		MSC-02	MSC-03
Max. flow rate (l/min)		20	45
Working pressure (MPa)		25	
Weight(kgs)	A, B	1.3	2.9
	W	1.6	3.3

Symbol list

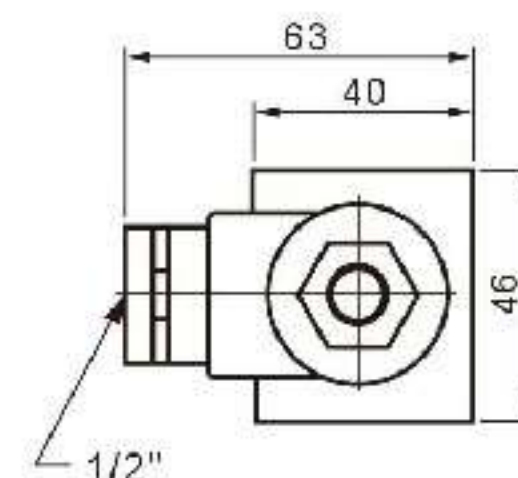
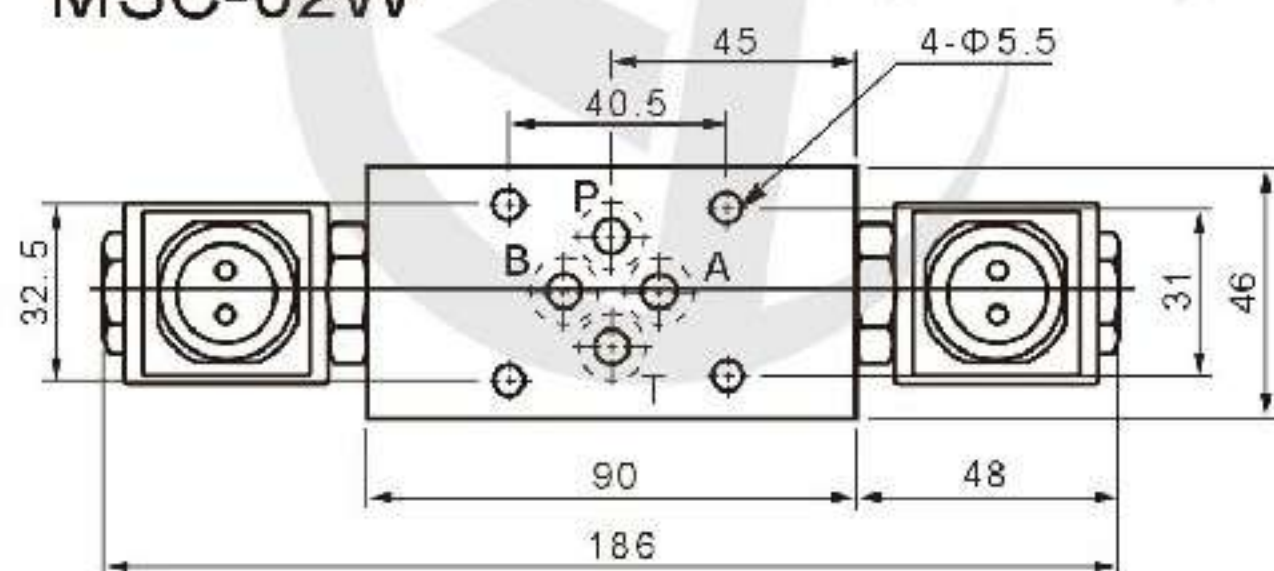


Ordering details

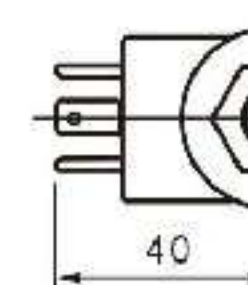
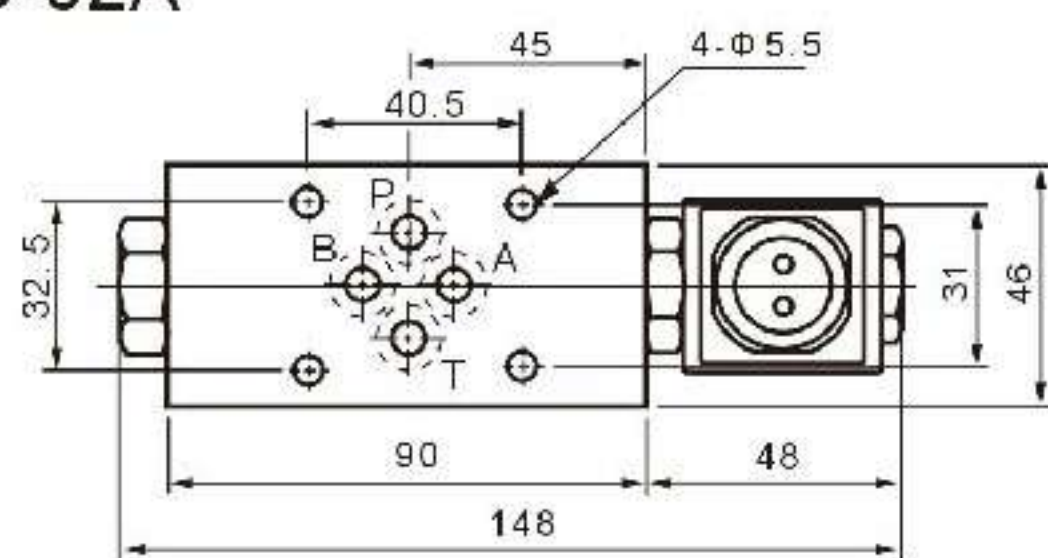
MSC	02	A	A230	NC	20
Sort	Nominal size	Pilot oil port	Input voltage	Normal state	Design code
Modular solenoid operated check valve	02:NG6 Cetop3 03:NG10 Cetop5	A:A port B:B port W:A&B port	D12:DC12 D24:DC24 A115:AC115 A230:AC230	NO:Normal open NC:Normal closed	20

Dimensions

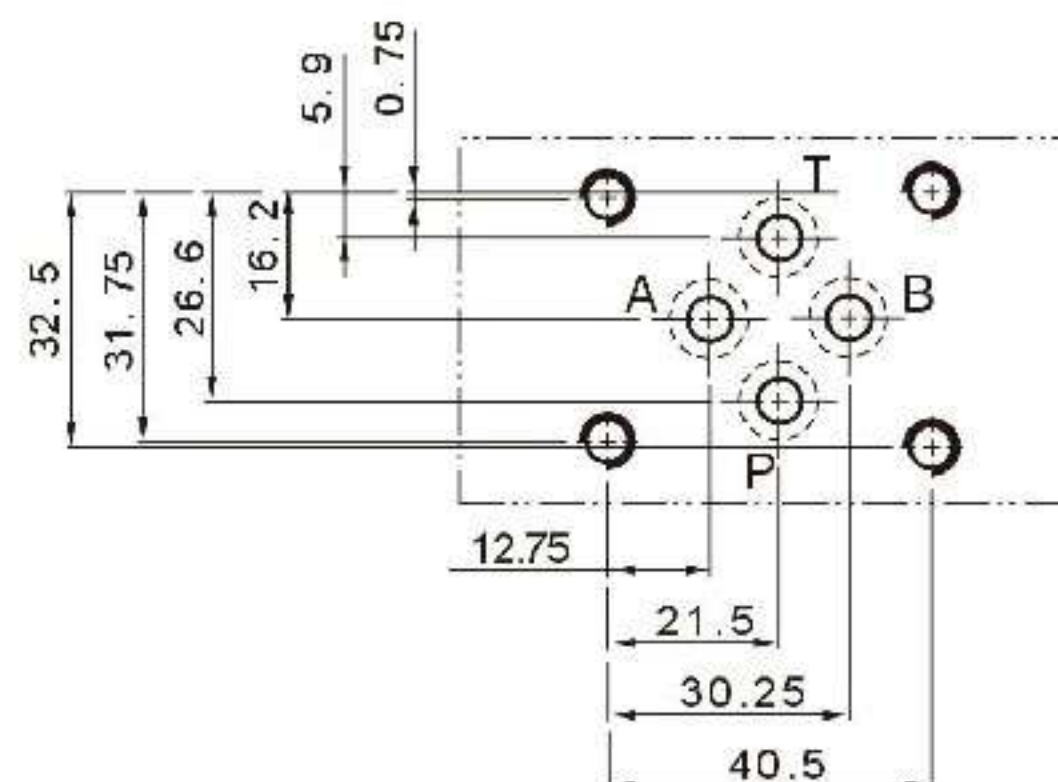
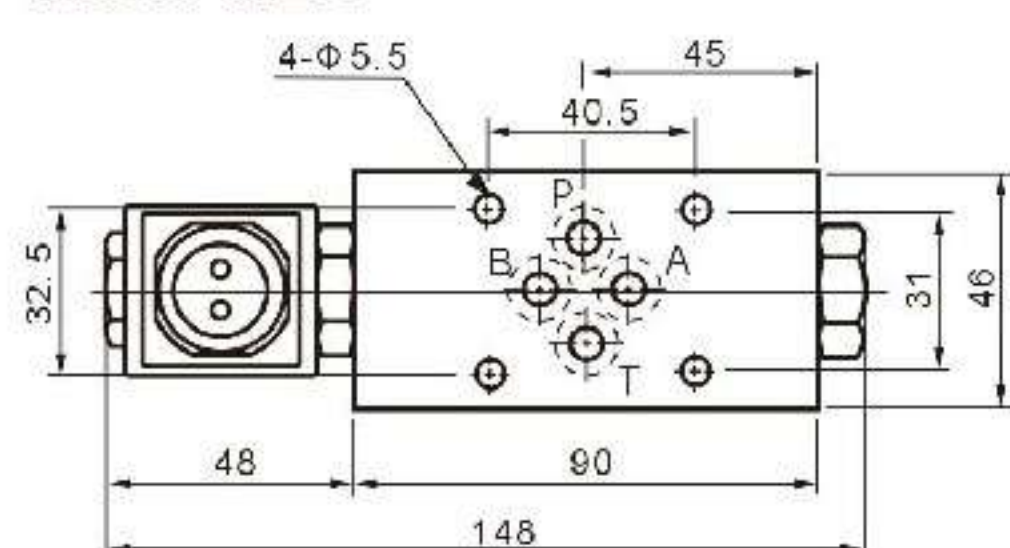
MSC-02W



MSC-02A



MSC-02B

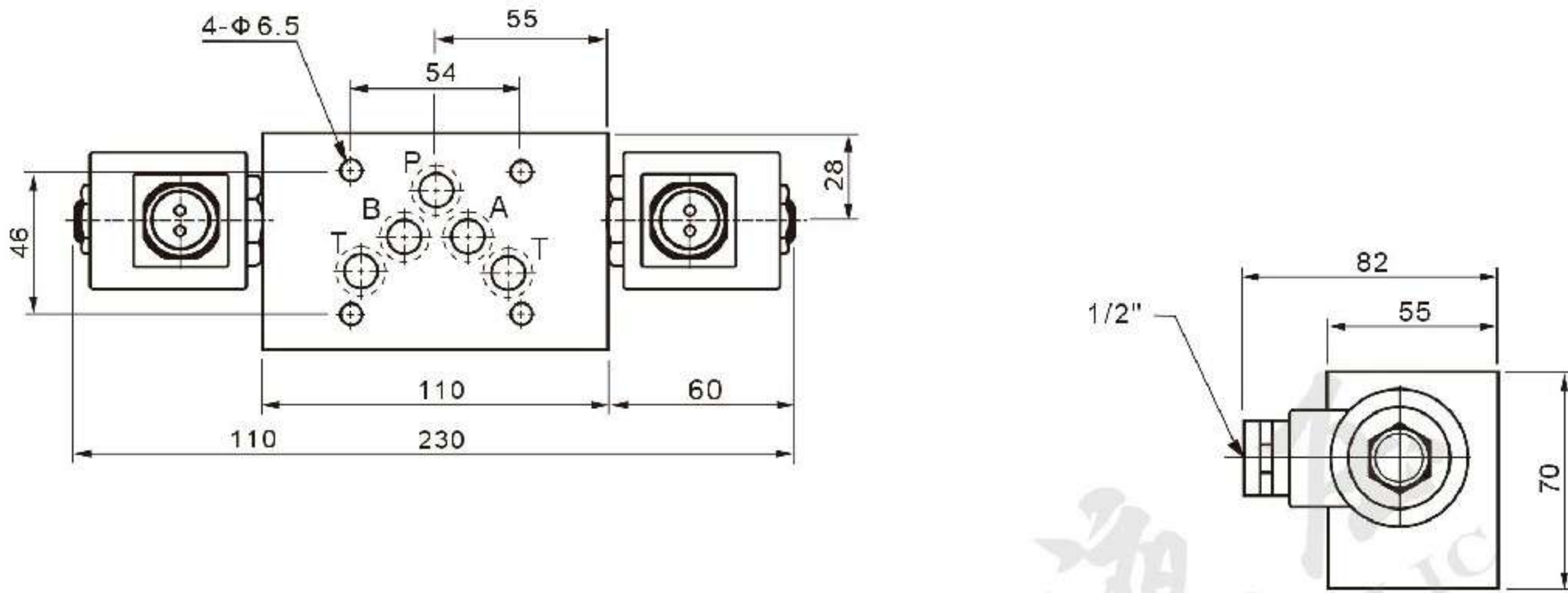


Unit: mm

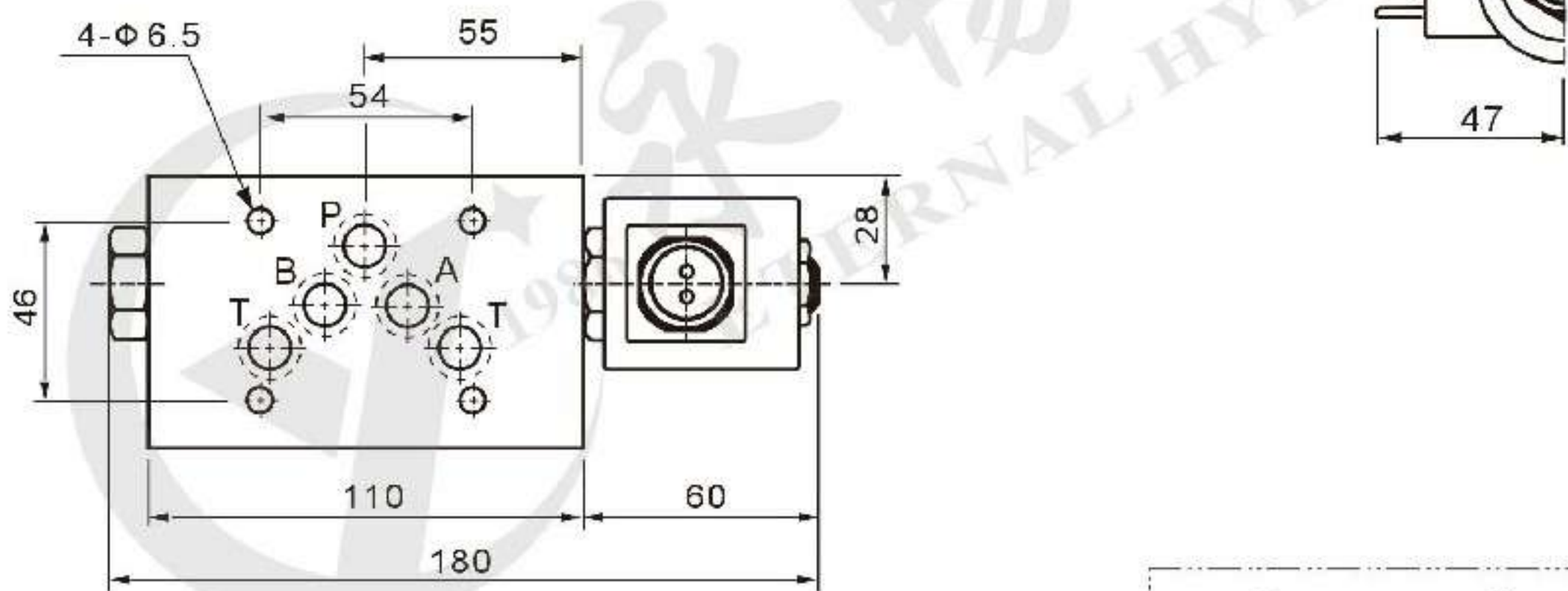
Dimensions

Unit: mm

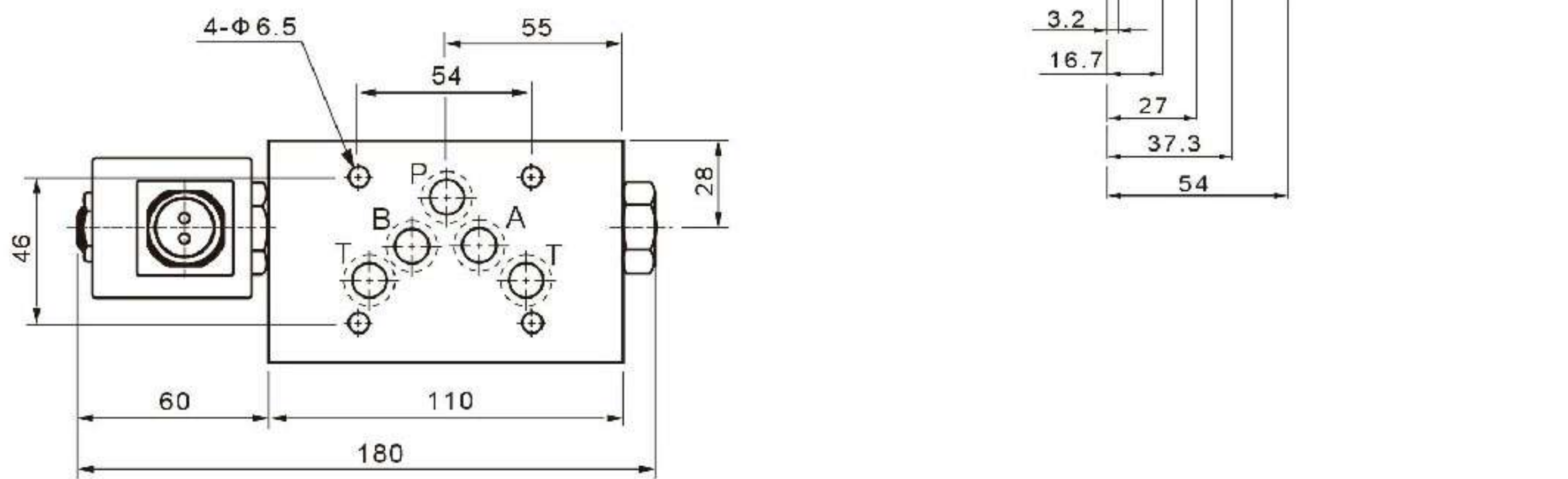
MSC-03W



MSC-03A



MSC-03B



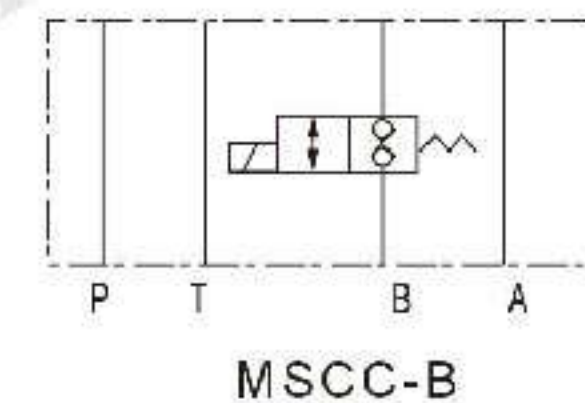
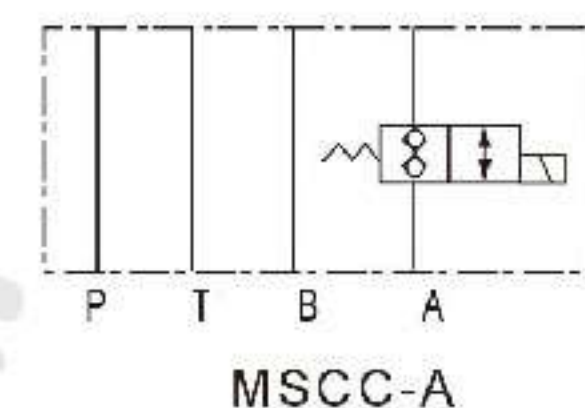
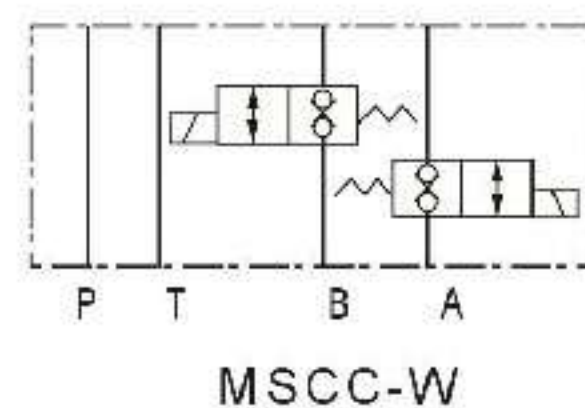
MSCC series modular solenoid operated two way check valves can use solenoid valve to make some oil ports flow through two way.



Technical specification

Model	MSCC-02	MSCC-03
Max. flow rate (l/min)	20	75
Internal leakage (ml/min)	≤ 0.25	
Working pressure (MPa)	21	25
Weight(kgs)	A, B	1.4
	W	1.7

Symbol list

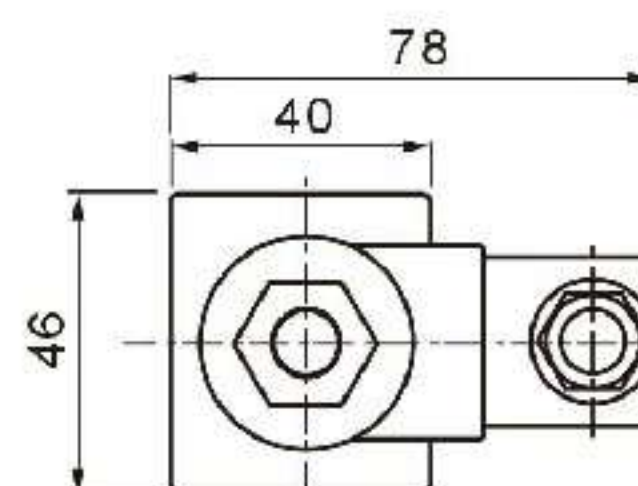
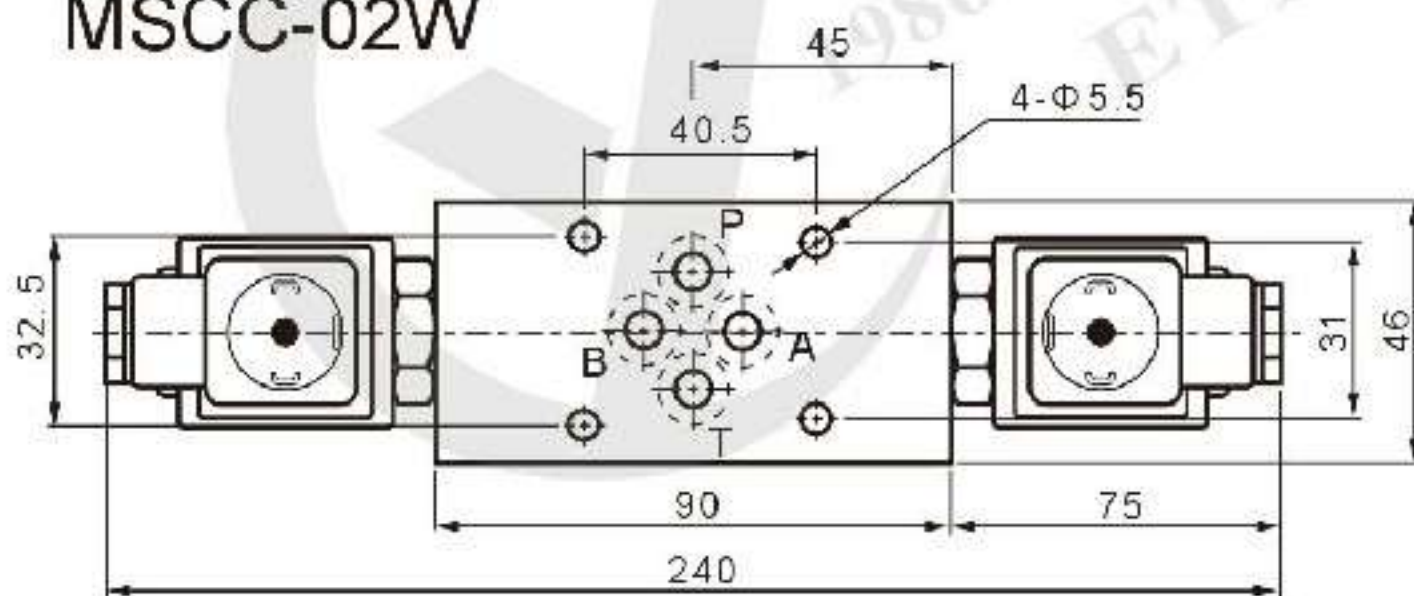


Ordering details

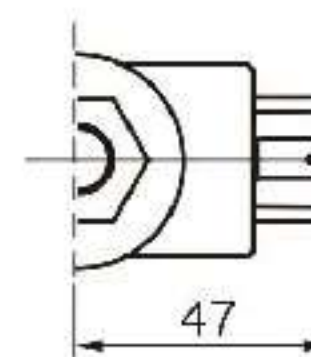
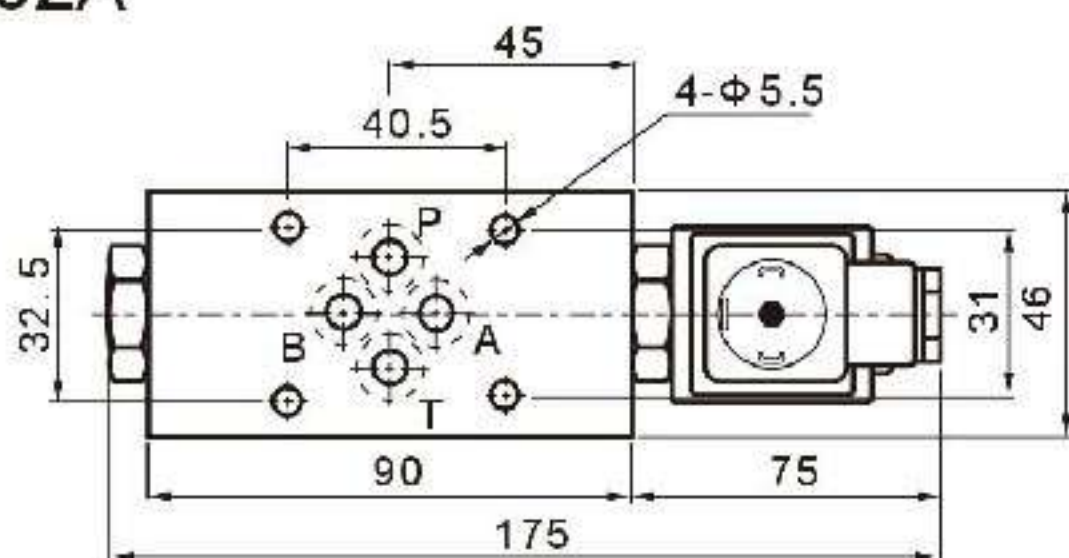
MSCC	02	A	A230	20
Sort	Nominal size	Pilot oil port	Input voltage	Design code
Modular solenoid operated two way check valve	02:NG6 Cetop3 03:NG10 Cetop5	A:A port B:B port W:A&B port	D12:DC12 D24:DC24 A115:AC115 A230:AC230	20

Dimensions

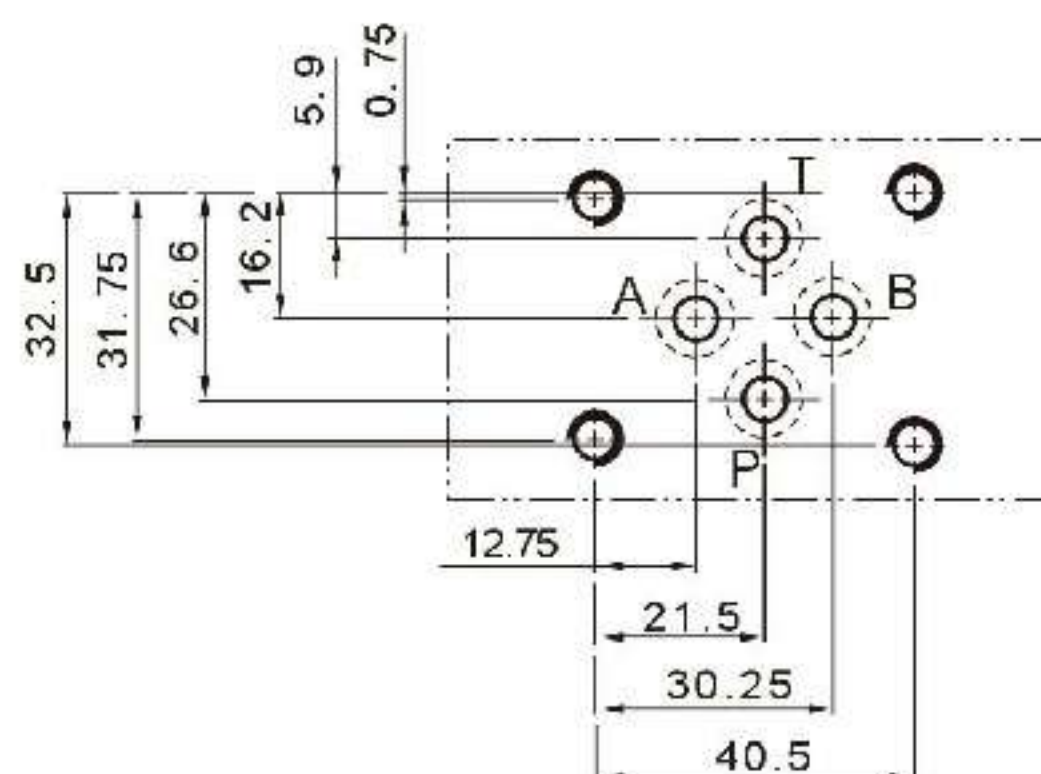
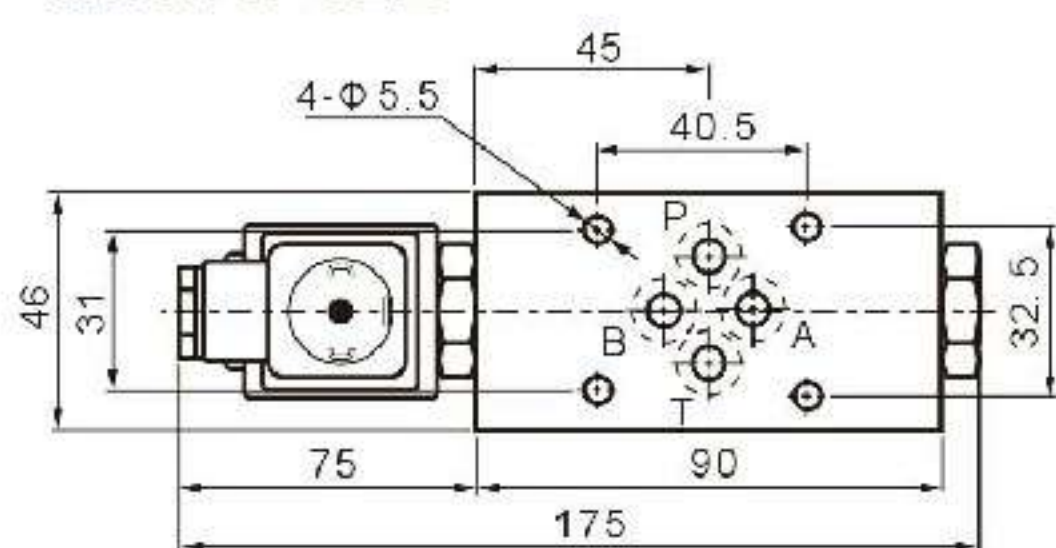
MSCC-02W



MSCC-02A



MSCC-02B

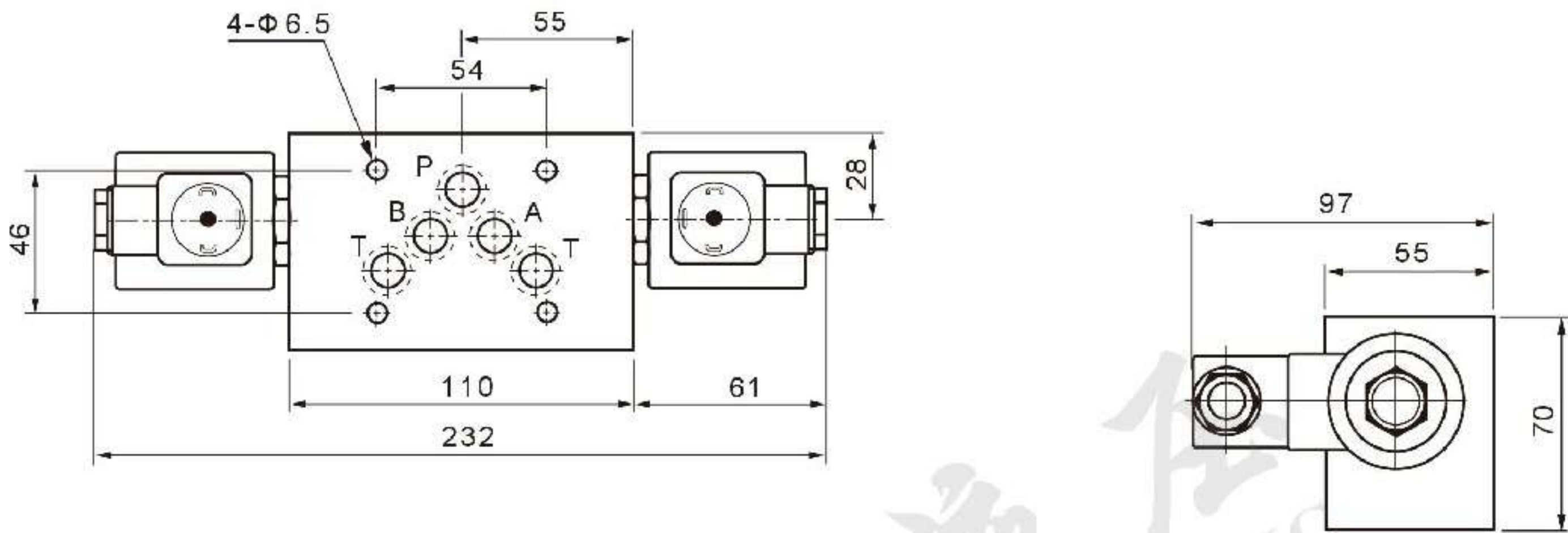


Unit: mm

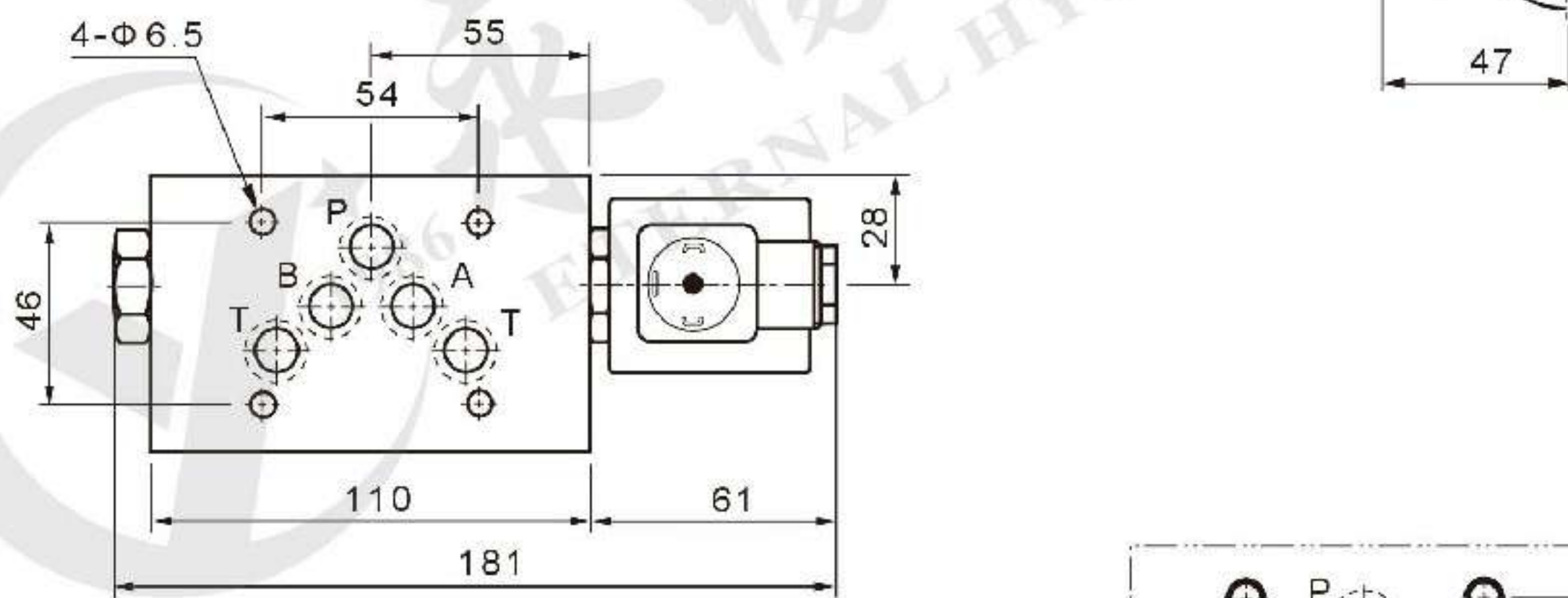
Dimensions

Unit: mm

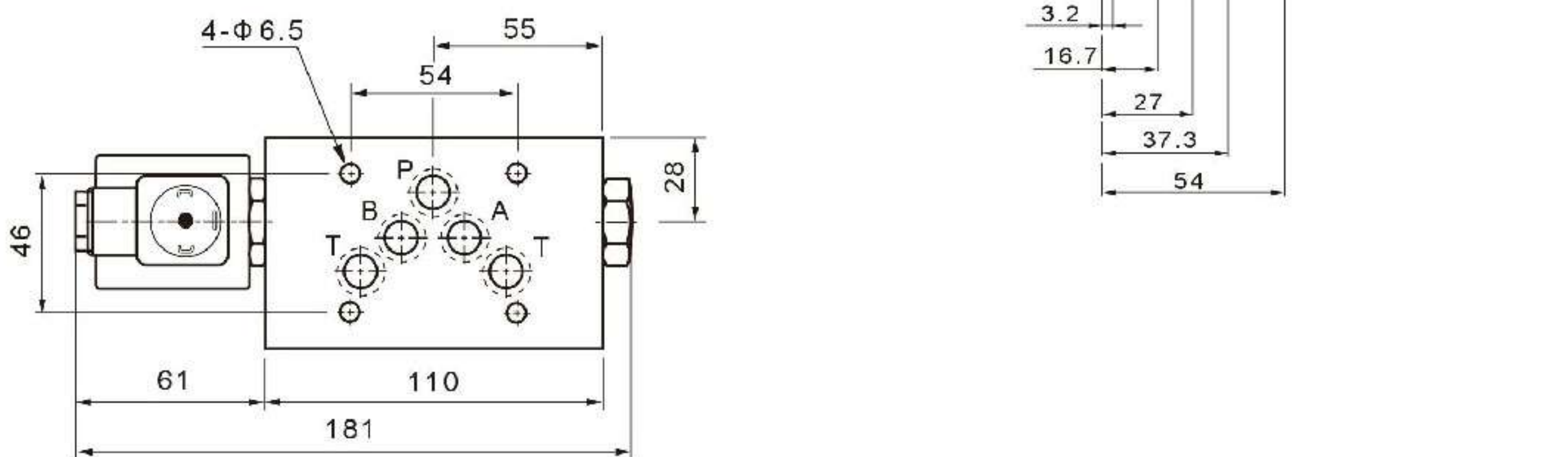
MSCC-03W



MSCC-03A



MSCC-03B



MTCV series modular throttle check valves are used to restrict flow in one direction while allowing free-flow in the opposite direction as check valves.

Ordering details

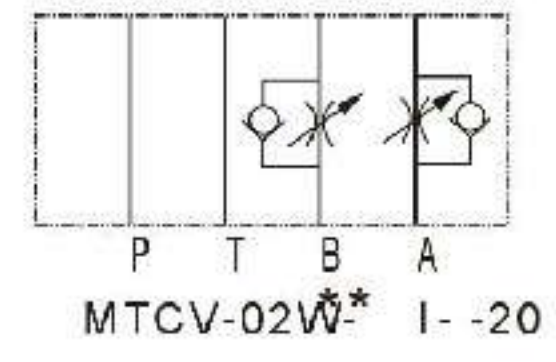
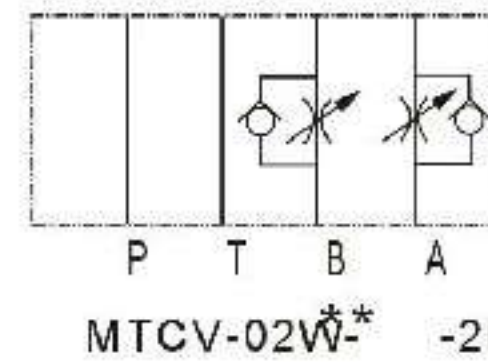
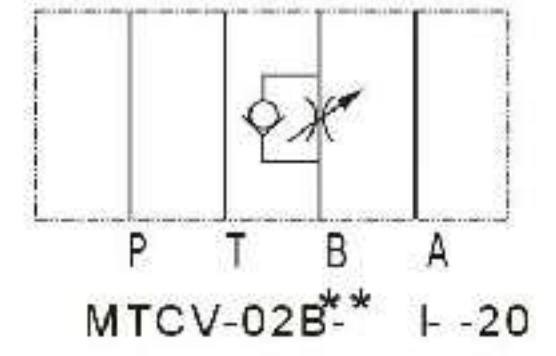
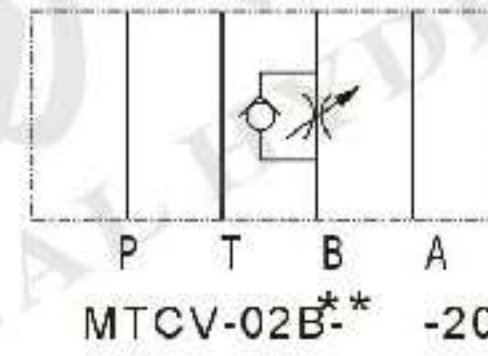
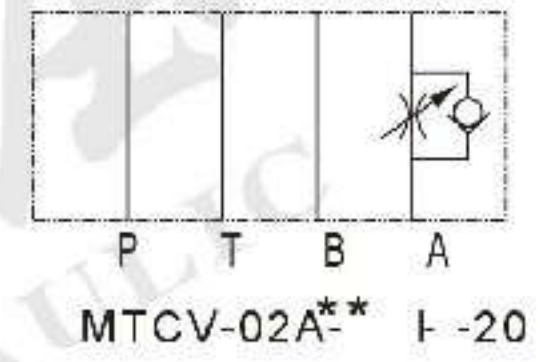
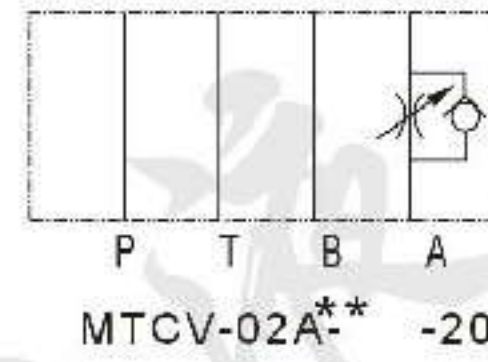


MTCV	02	A	K	I	20
Sort	Nominal size	Pilot oil port	Adjustment type	Oil control	Design code
Modular throttle check valve	02:NG6 Cetop3 03:NG10 Cetop5 04:NG16 Cetop7 06:NG22 Cetop8	A:A port B:B port W:A&B port	No code: Without knob K: With plastic kob	No code: Meter out I: Meter in	20

Technical specification

Model		MTCV-02	MTCV-03	MTCV-04	MTCV-06
Max. flow rate (l/min)		35	70	300	450
Working pressure (MPa)		25			
Weight(kgs)	A, B	1.2	2.6	5.2	12.2
	W	1.4	2.8	5.5	13

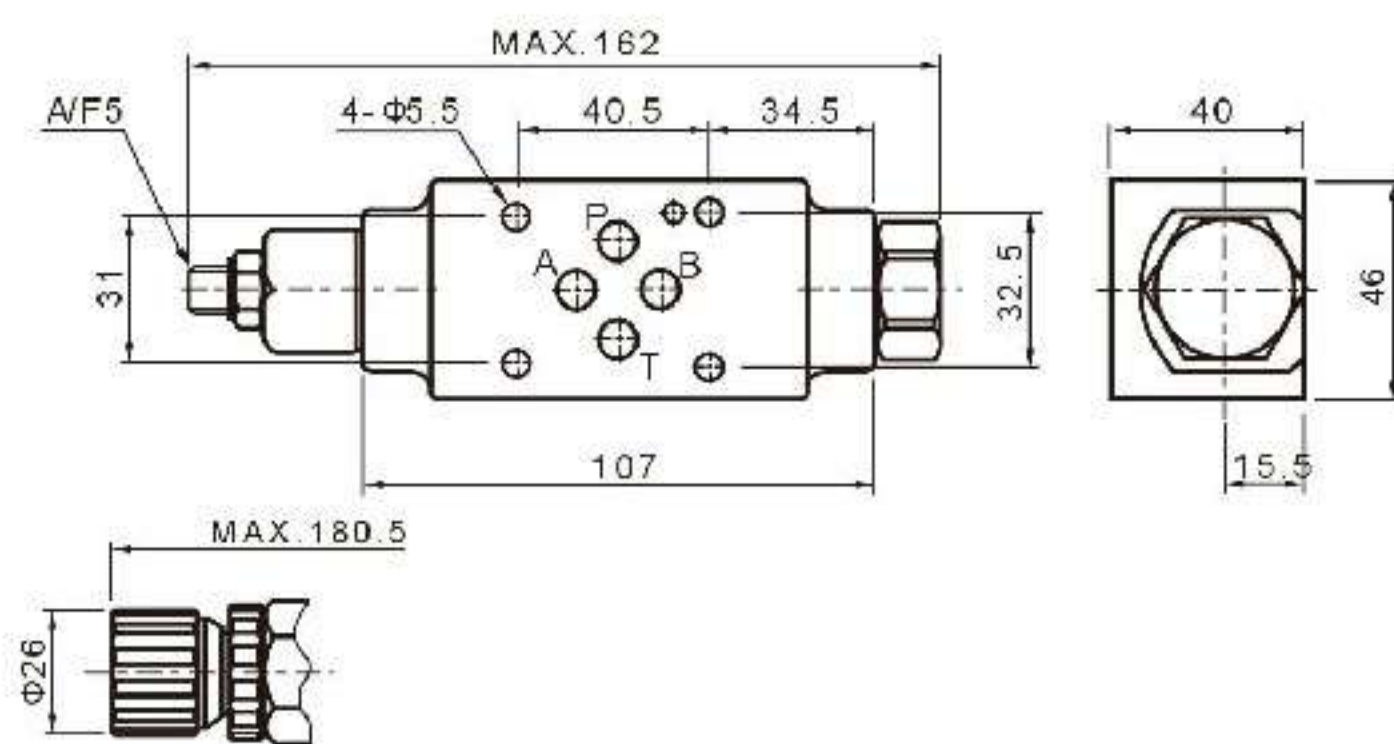
Symbol list



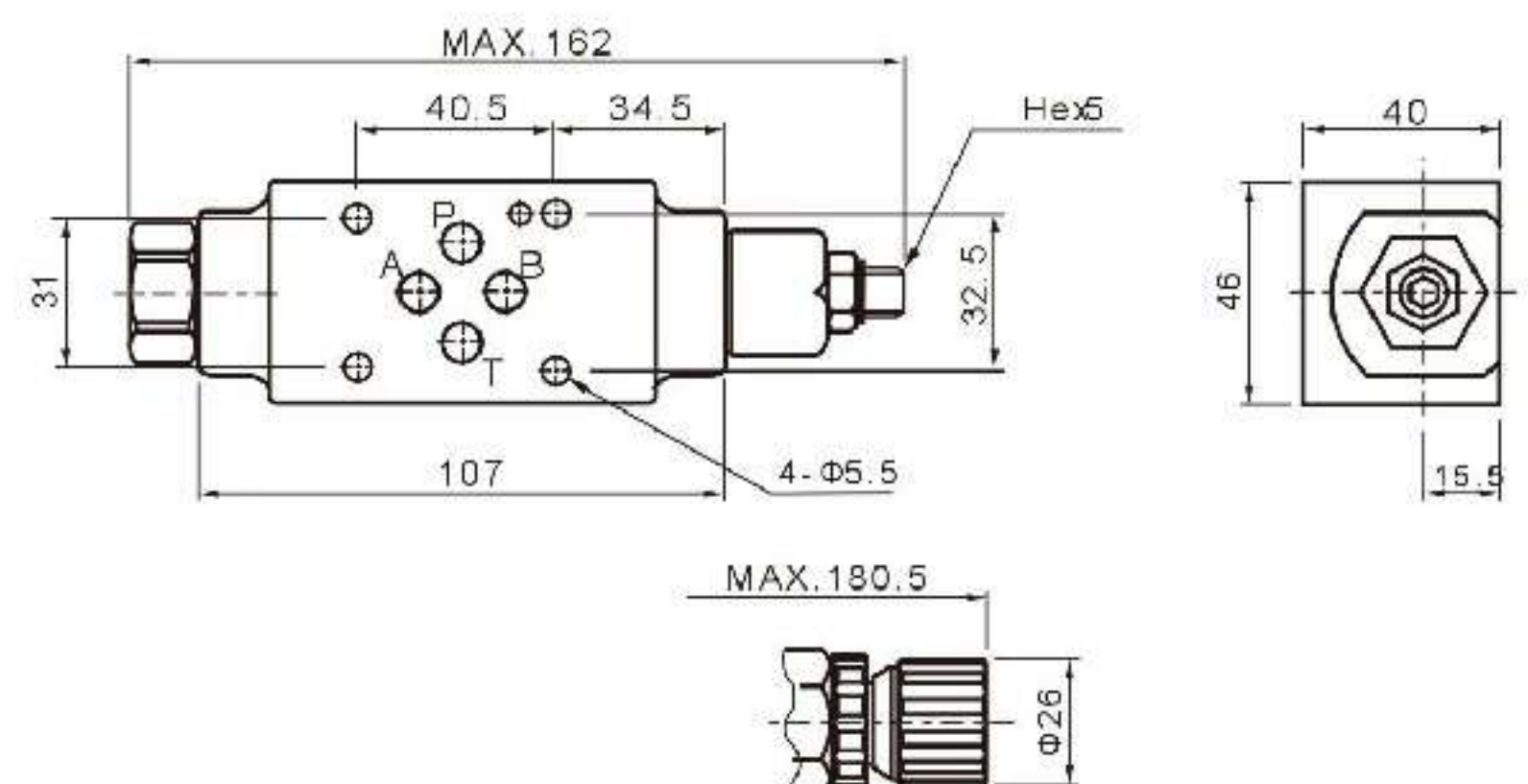
Dimensions

Unit: mm

MTCV-02A



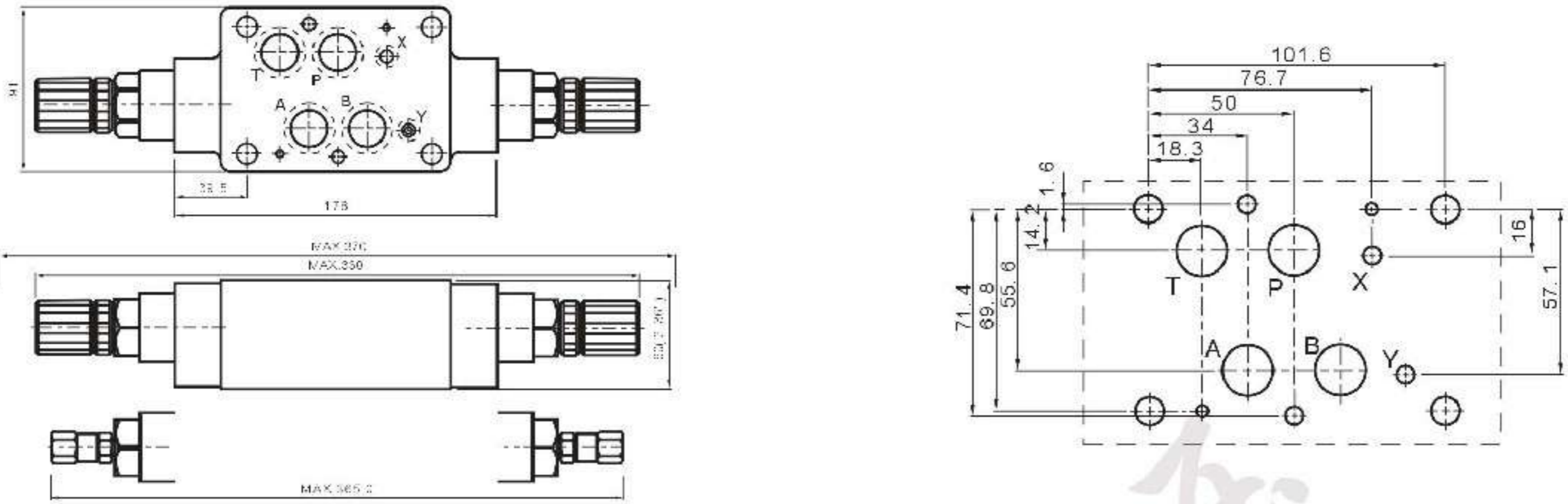
MTCV-02B



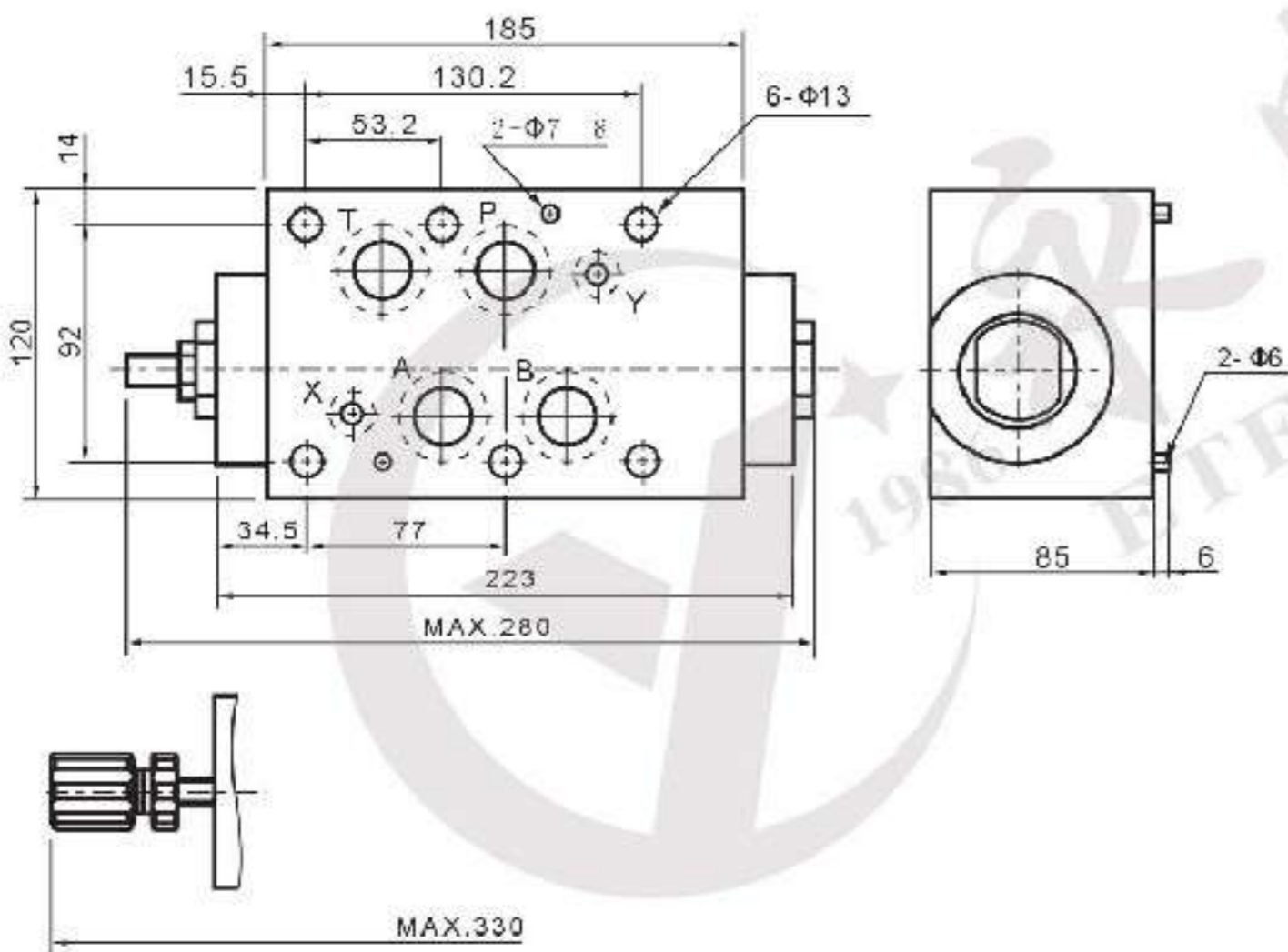
Dimensions

Unit: mm

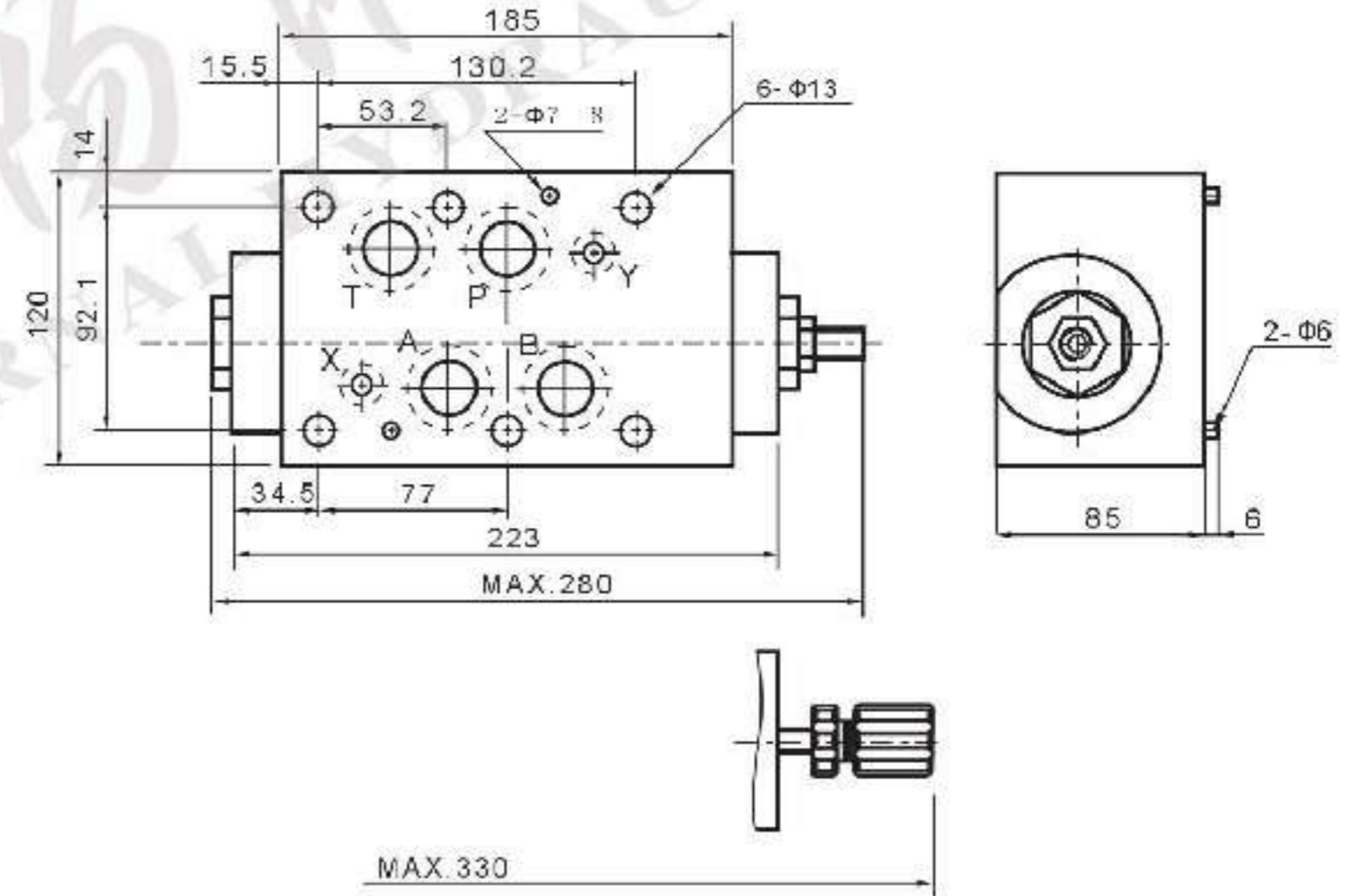
MTCV-04W



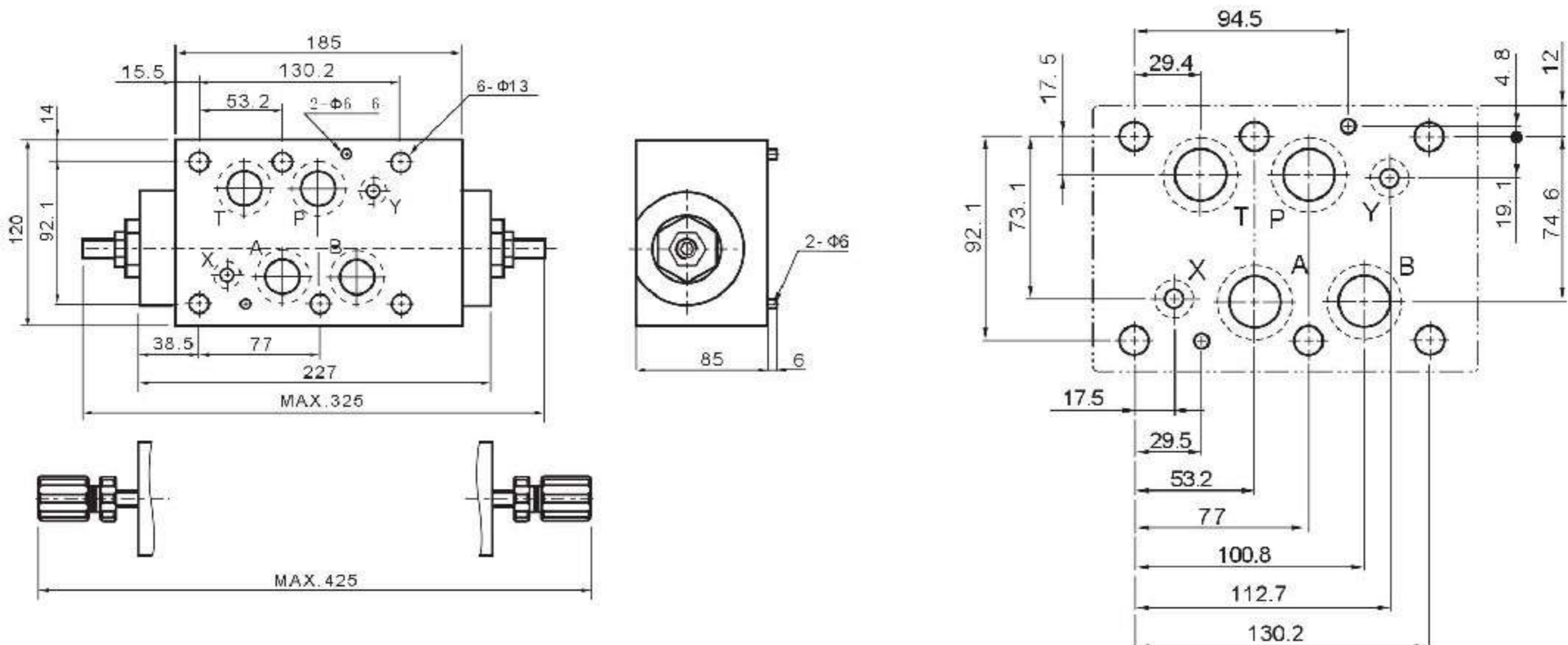
MTCV-06A



MTCV-06B



MTCV-06W



MT series modular check valves are used to restrict flow by handle.
 MTCV series modular throttle check valves are used to restrict flow only in one direction.



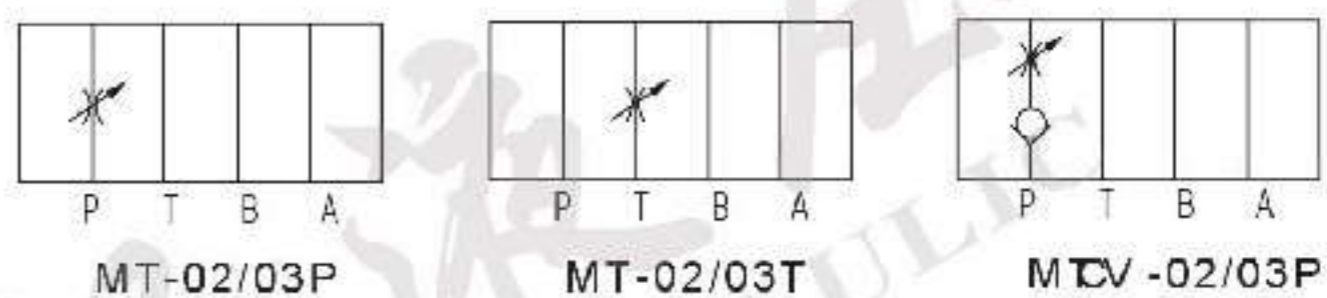
Ordering details

MT(CV)	02	P	K	20
Sort	Nominal size	Pilot oil port	Adjustment type	Design code
MT: Modular throttle valve MTCV: Modular throttle check valve	02: NG6 Cetop3 03: NG10 Cetop5	P: P port T: T port	No code: Without knob K: With plastic knob	20

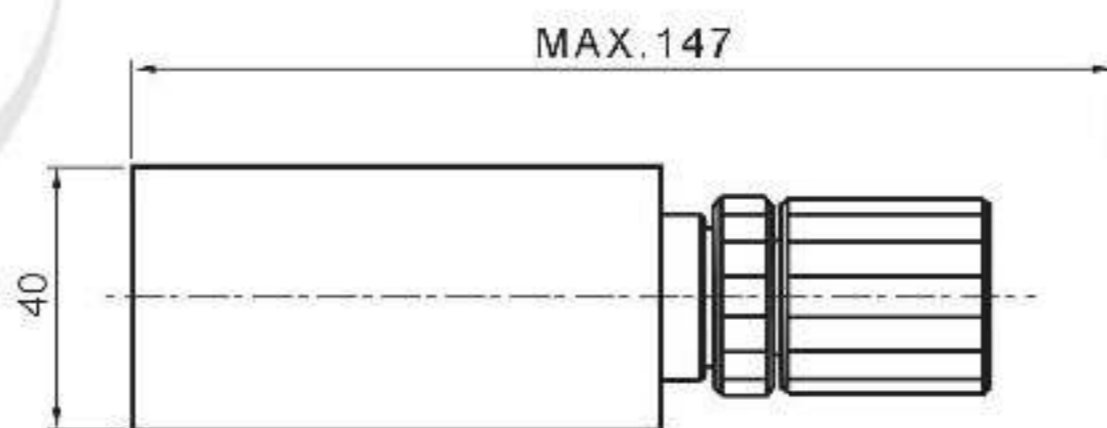
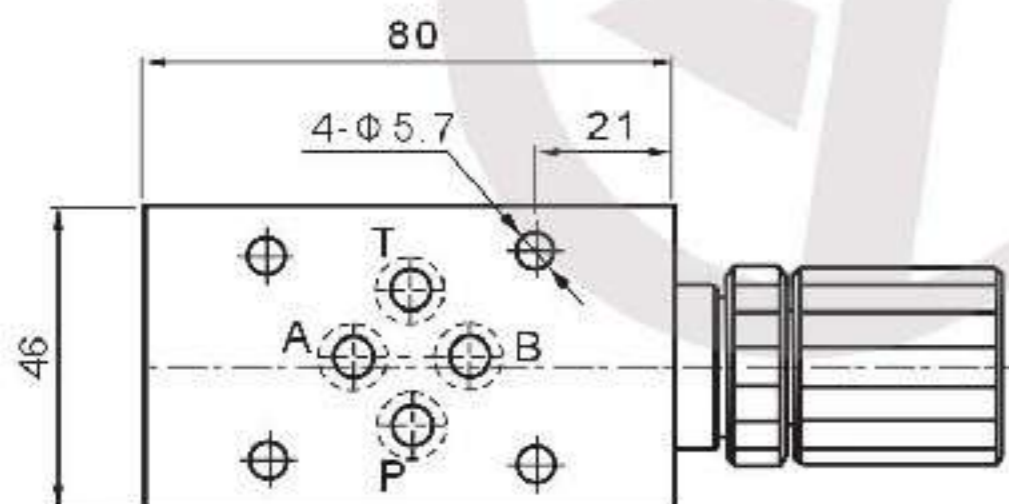
Technical specification

Model	MT(CV)-02	MT(CV)-03
Max. flow rate (l/min)	35	70
Working pressure (MPa)	25	
Weight(kgs)	1.2	2.4

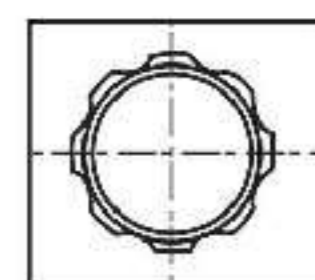
Symbol list



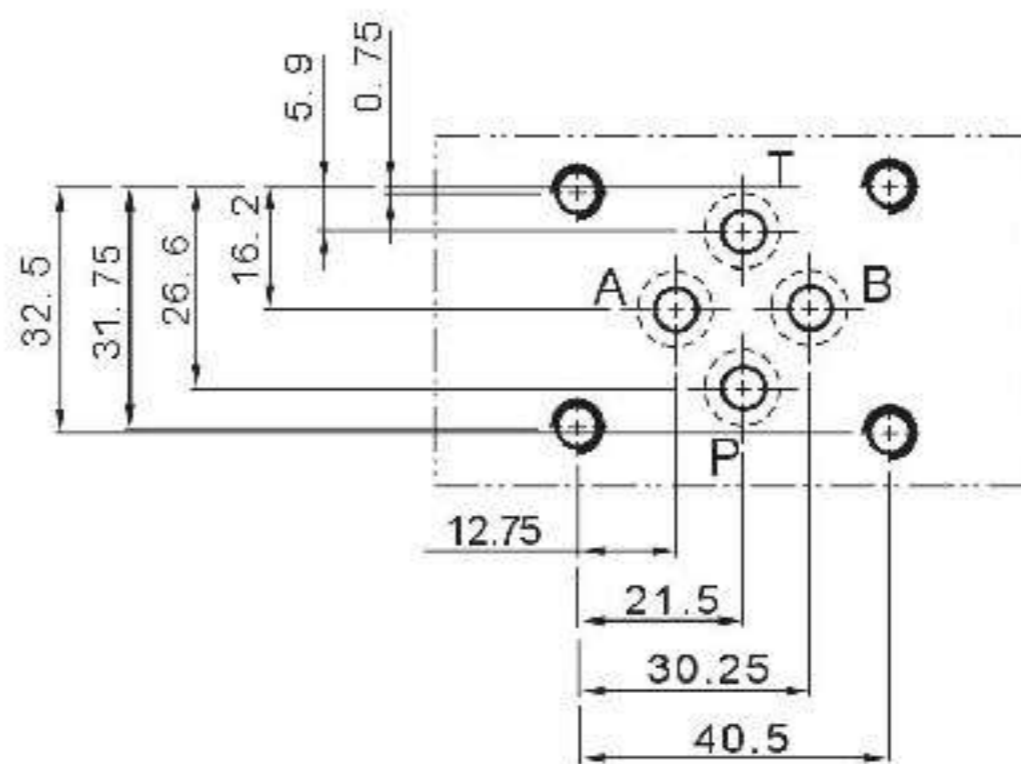
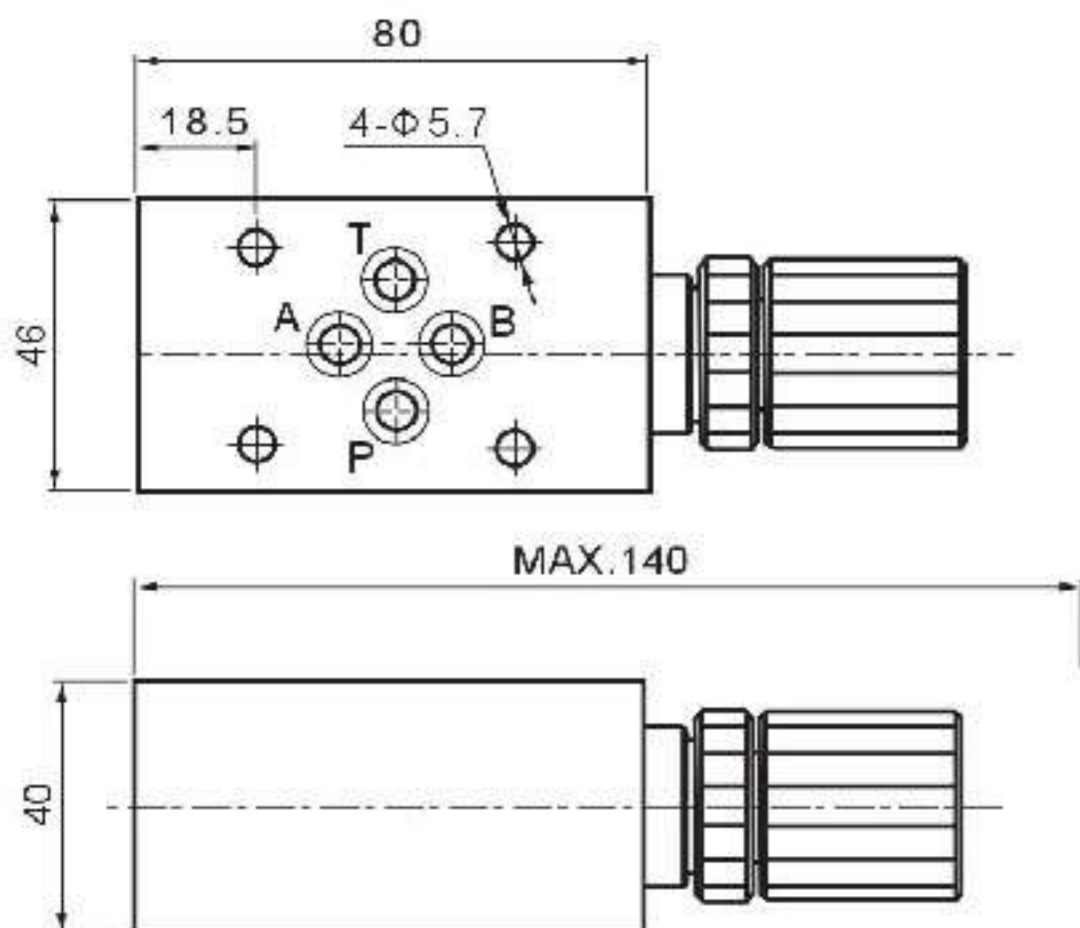
Dimensions MT-02



Unit: mm



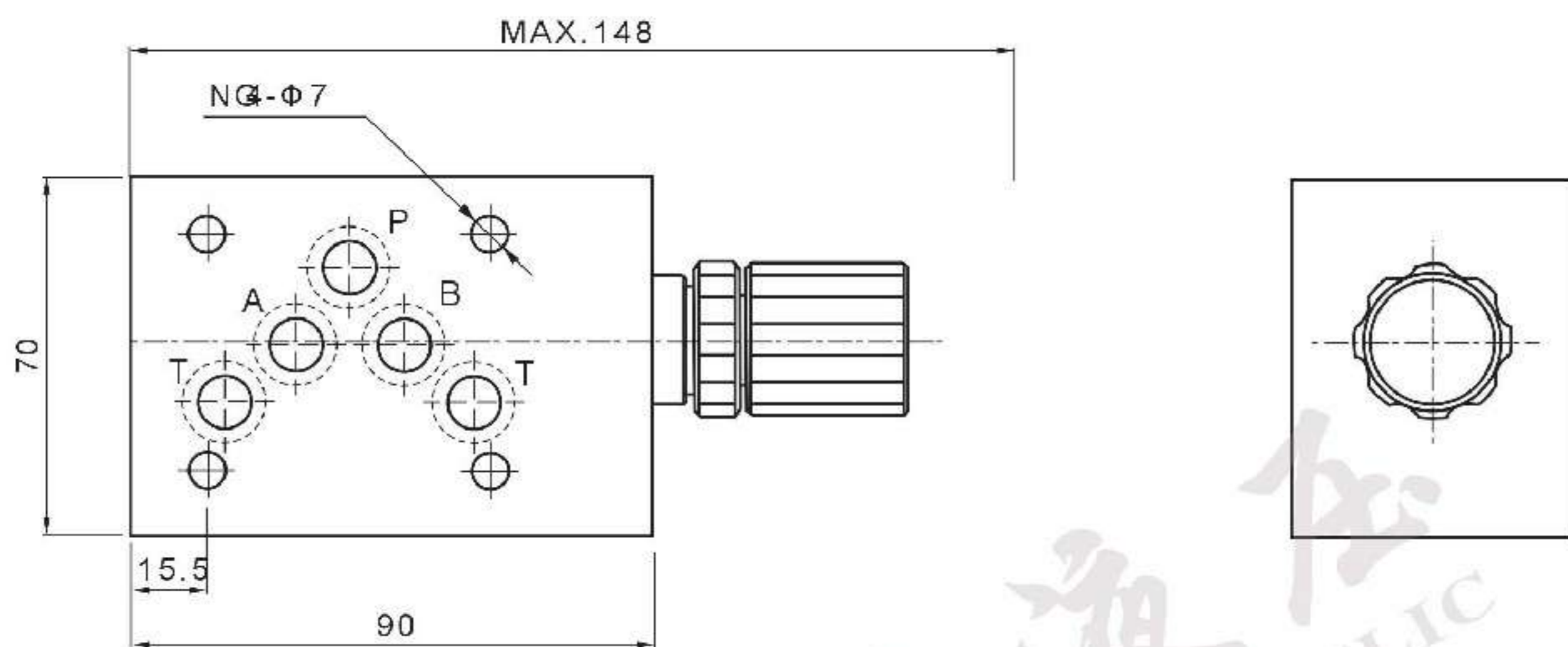
MTCV-02



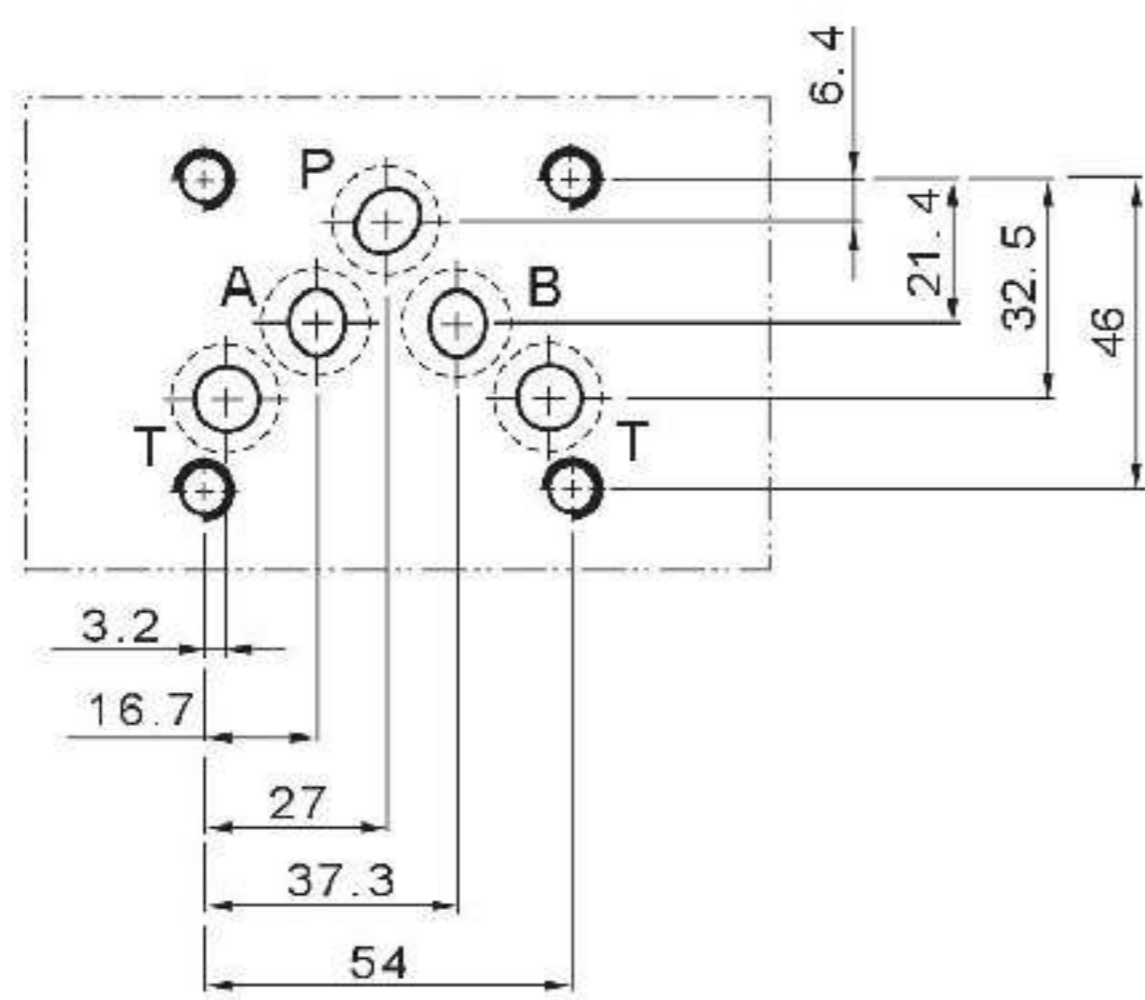
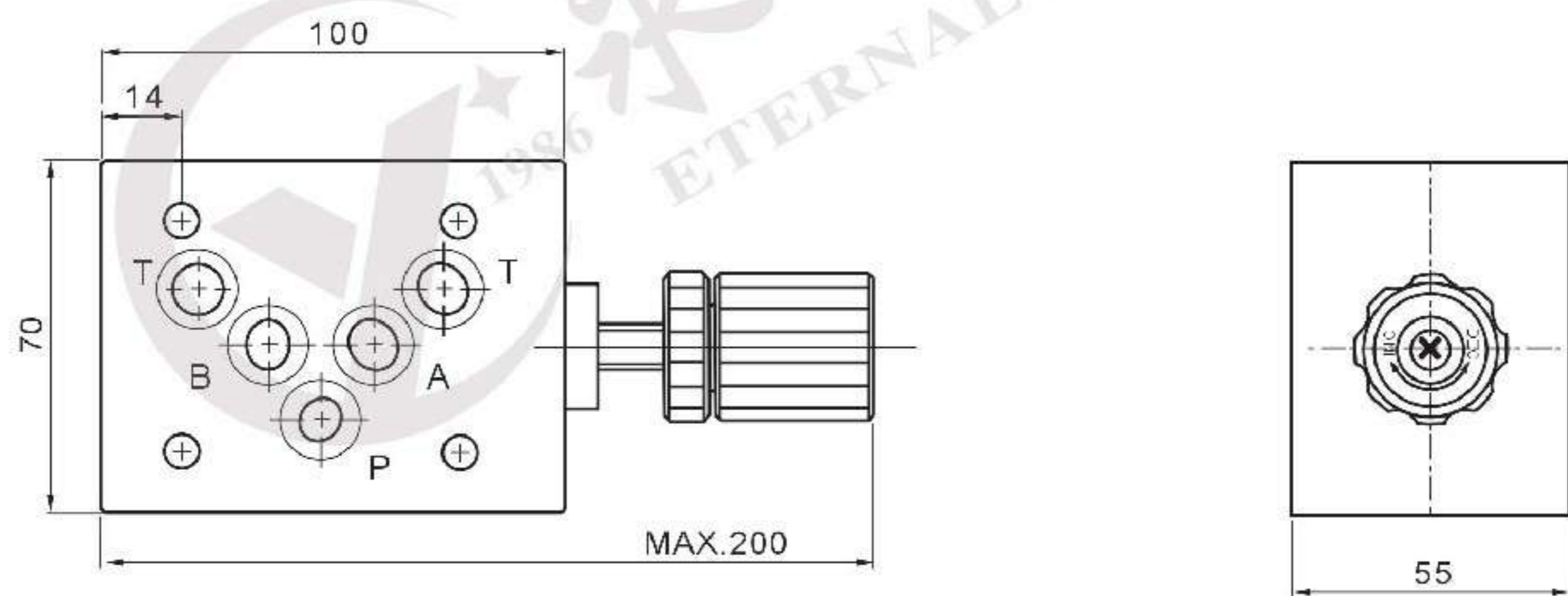
Dimensions

Unit: mm

MT-03



MTCV-03



MST series modular solenoid operated throttle valves are used to restrict flow in one direction while allowing free-flow in the opposite direction as check valves. In the meanwhile, it can use solenoid valve to open circuit.



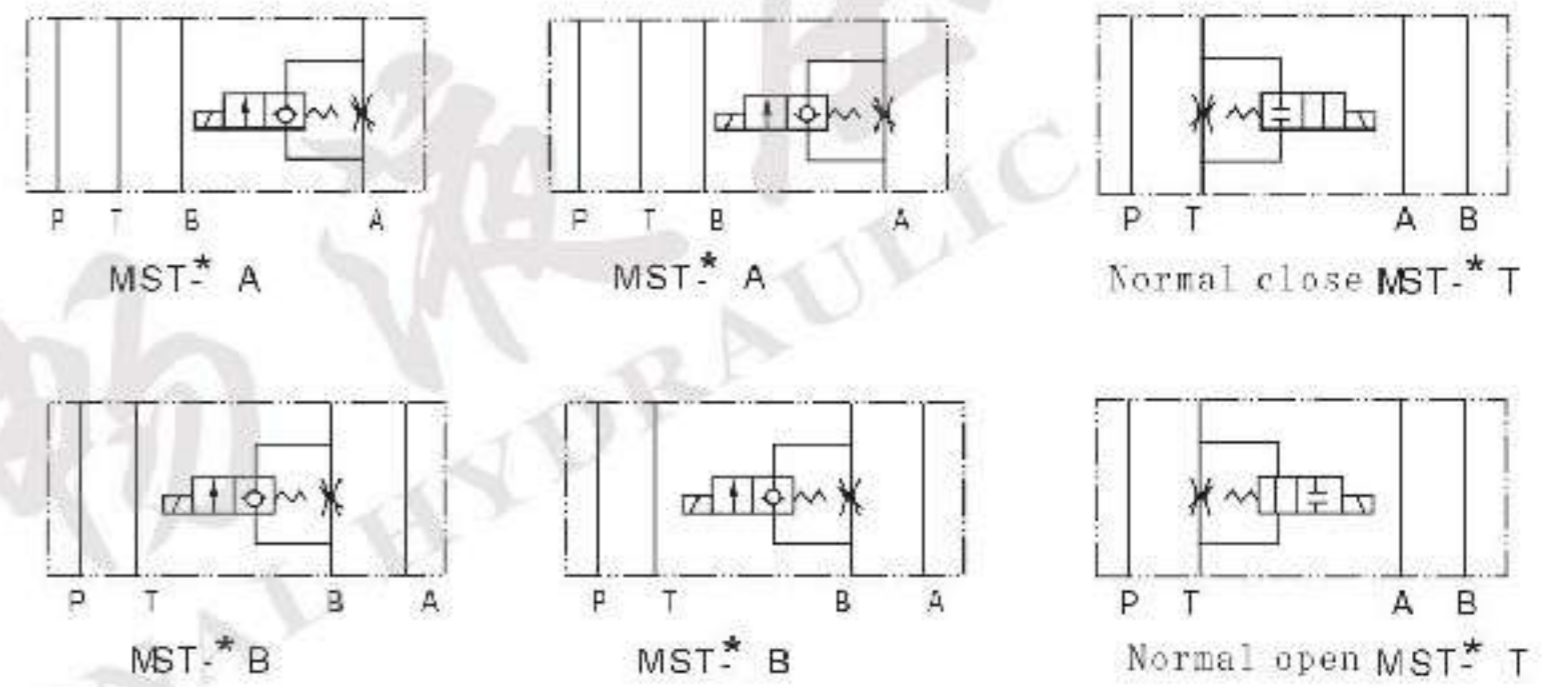
Ordering details

MST	02	A	I	A230	10
Sort	Nominal size	Pilot oil port	Oil control	Input voltage	Design code
Modular solenoid operated throttle valve	02:NG6 Cetop3 03:NG10 Cetop5	A:A port B:B port	No code: Meter out I: Meter in	D12:DC12 D24:DC24 A115:AC115 A230:AC230	10

Technical specification

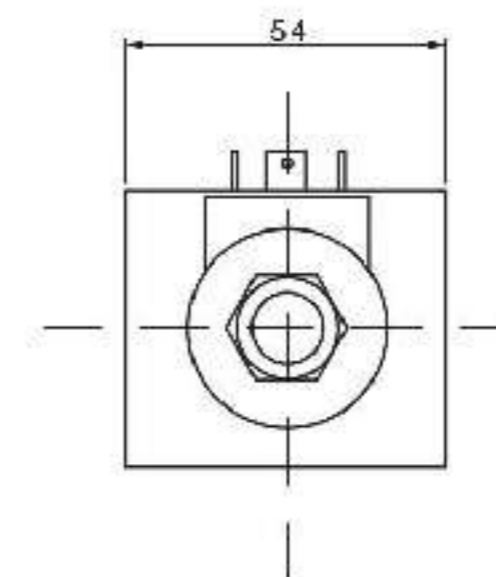
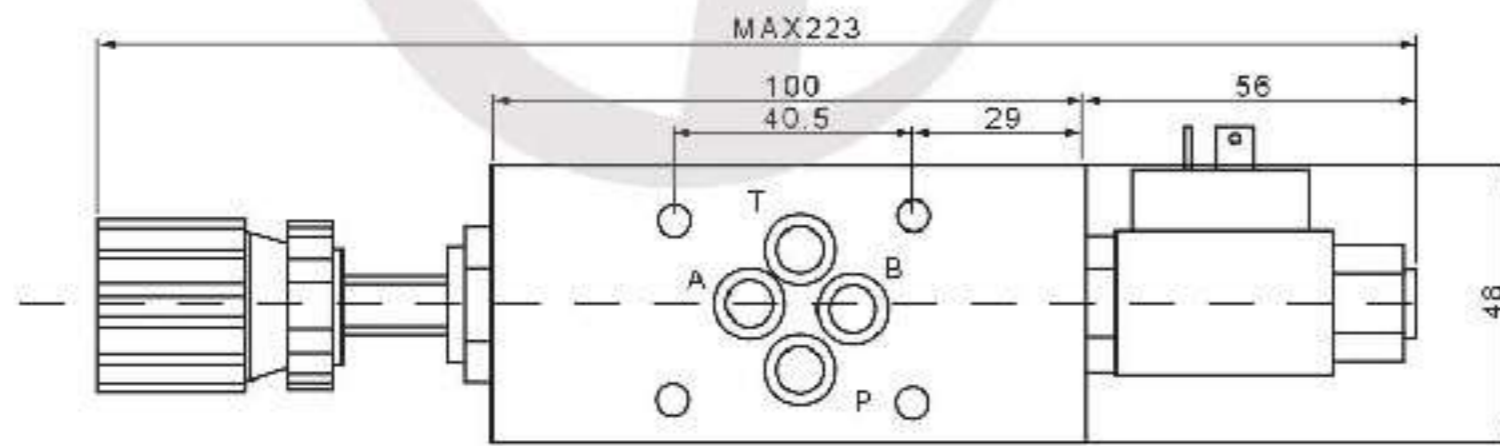
Model	MST-02	MST-03
Max.flow rate (l/min)	20	45
Working pressure (MPa)	25	
Weight(kgs)	1.5	2.8

Symbol list

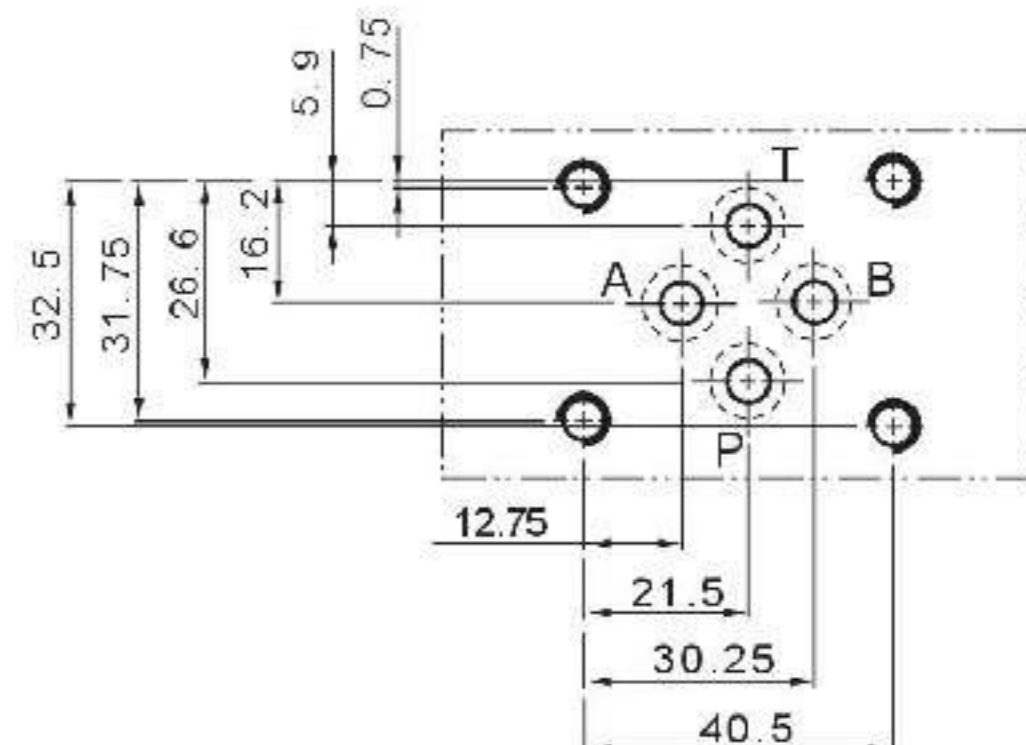
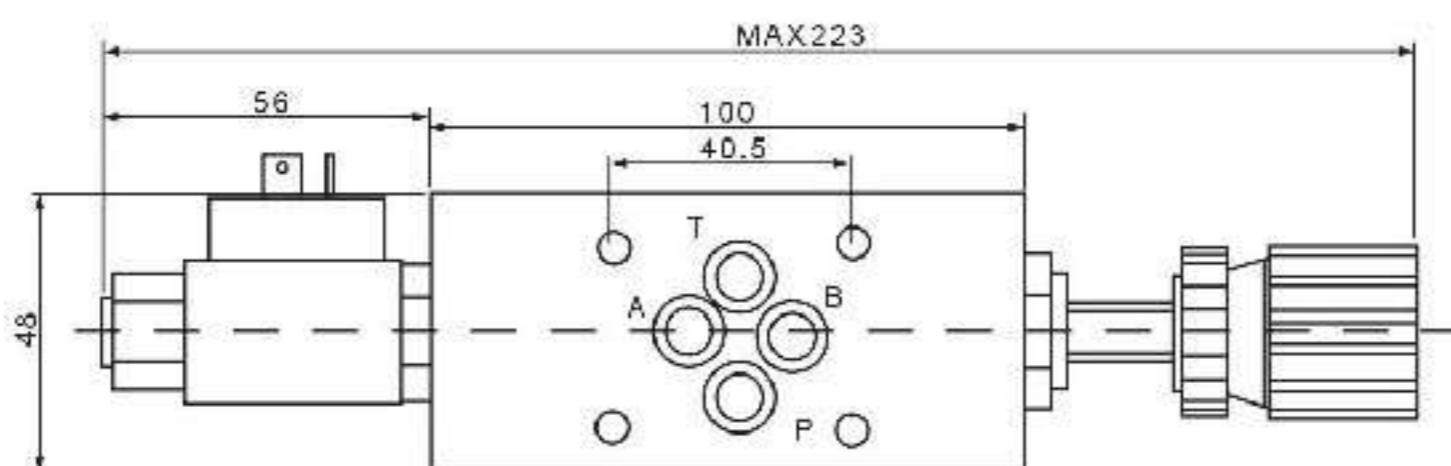


Dimensions

MST-02A



MSB-02B

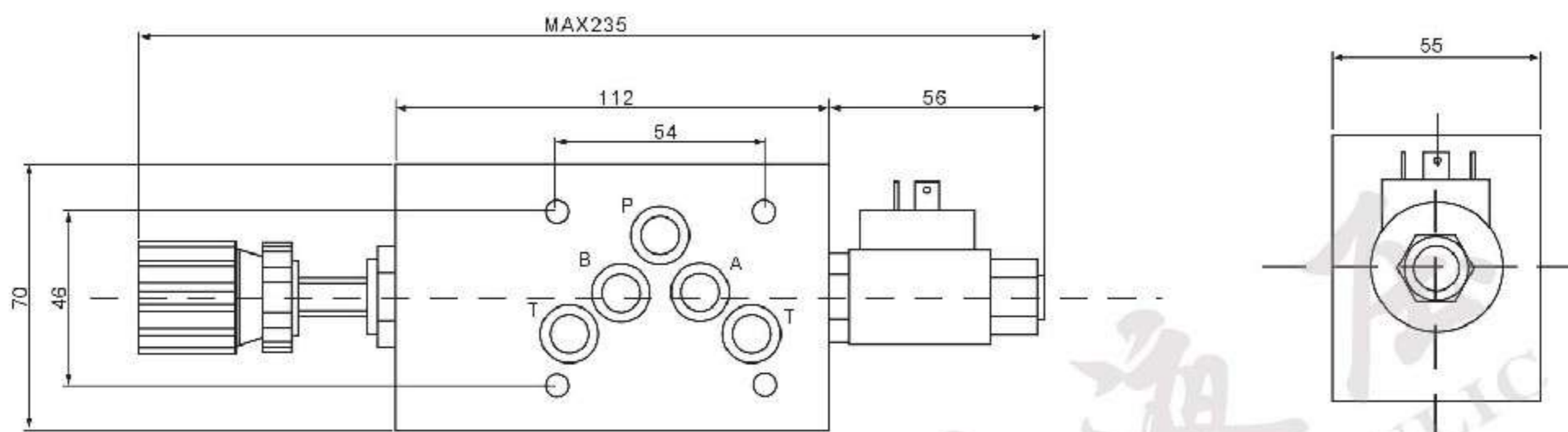


Unit: mm

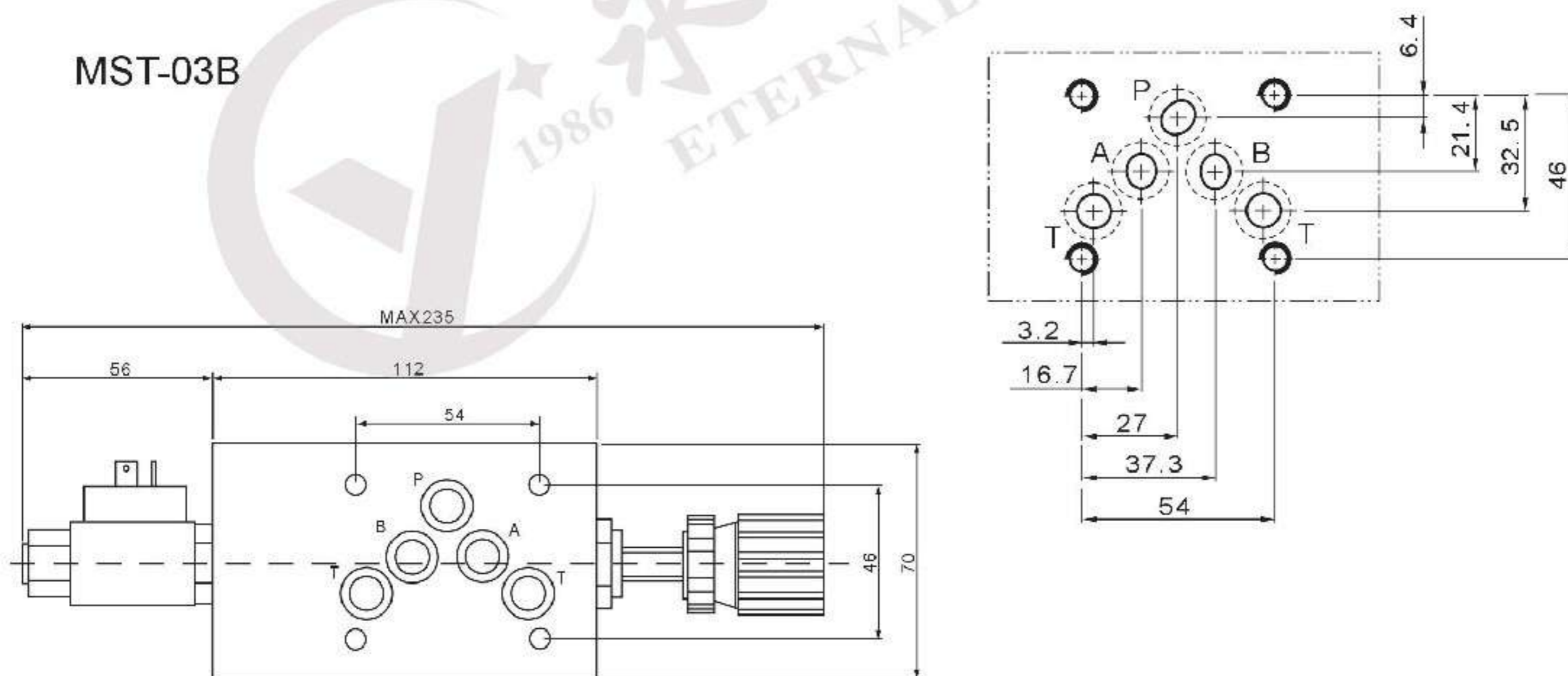
Dimensions

Unit: mm

MST-03A



MST-03B



MPCV series modular pilot operated check valves are pilot operated style sandwich valves. These valves used to close one or two oil ports.



Ordering details

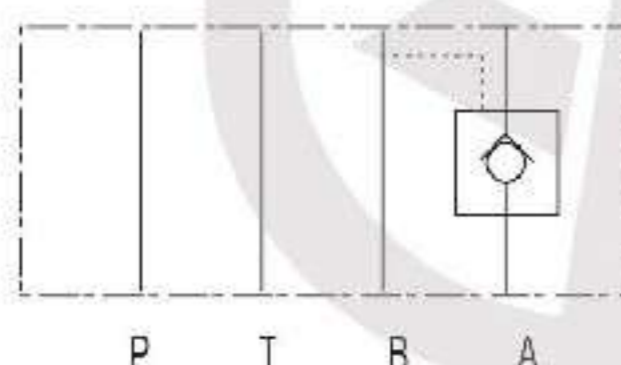
MPCV	02	A	05	20
Sort	Nominal size	Pilot oil port	Cracking pressure	Design code
Modular pilot operated check valve	02:NG6 Cetop3 03:NG10 Cetop5 04:NG16 Cetop7 06:NG22 Cetop8	A:A port B:B port W:A&B port	05:0.35bar 50:3.5bar	20

Technical specification

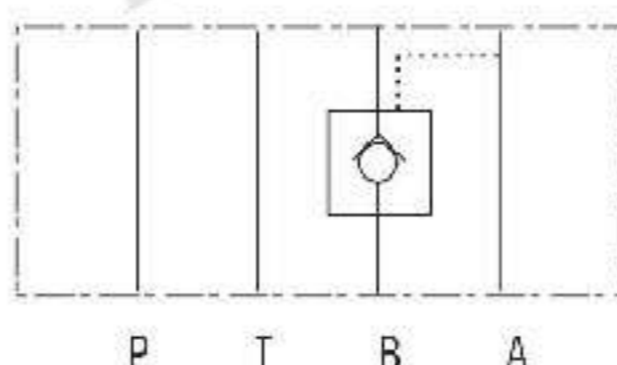
Model	MPCV-02	MPCV-03	MPCV-04	MPCV-06
Max. flow rate (l/min)	35	70	200	450
Working pressure (MPa)	25			
Weight(kgs)	1.1	2.6	5.5	12.5



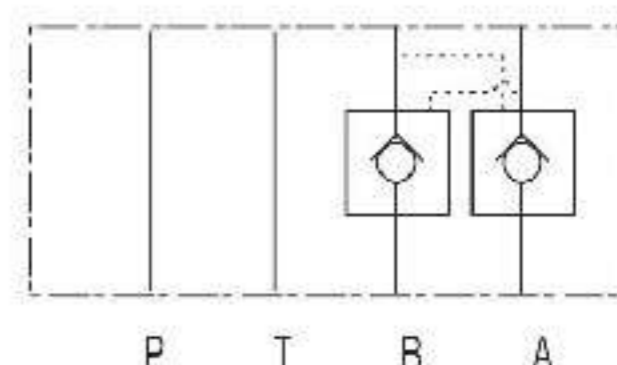
Symbol list



MPCV-02A



MPCV-02B

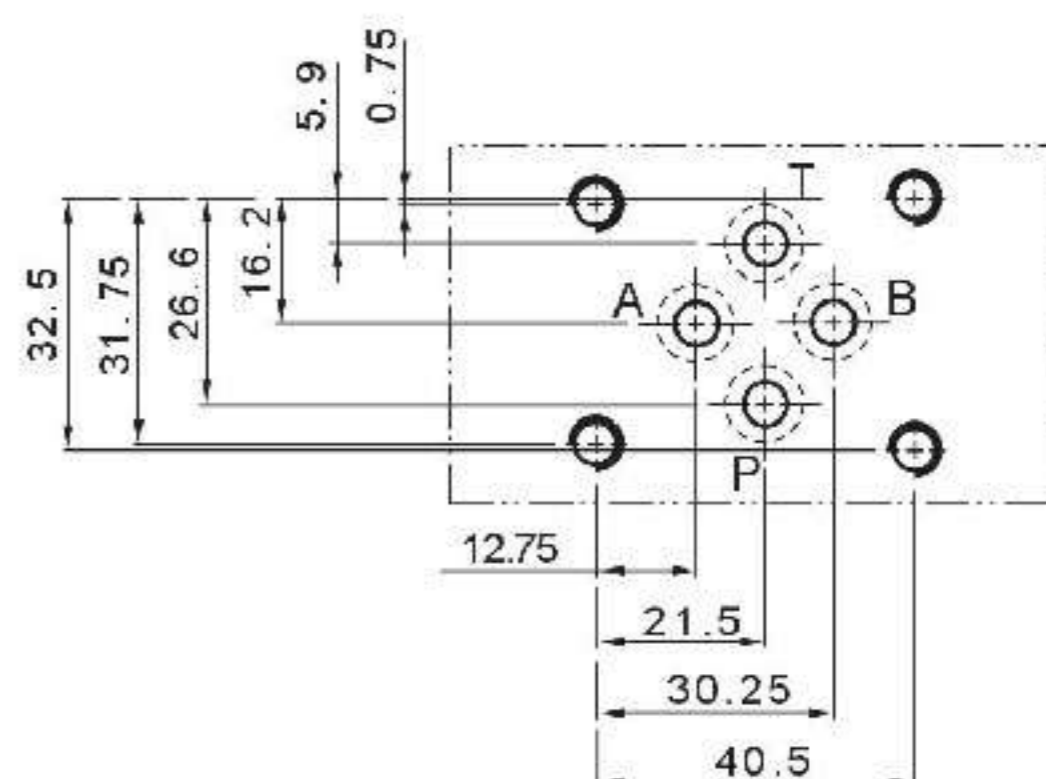
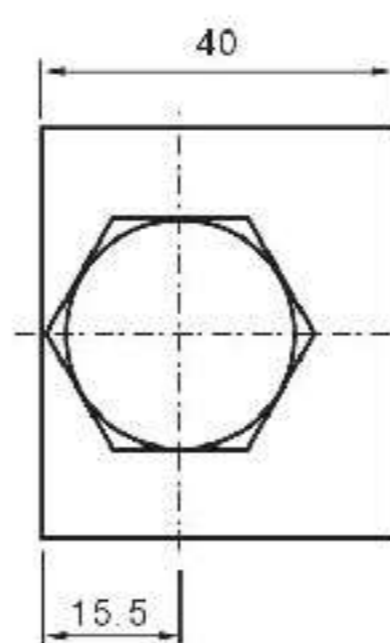
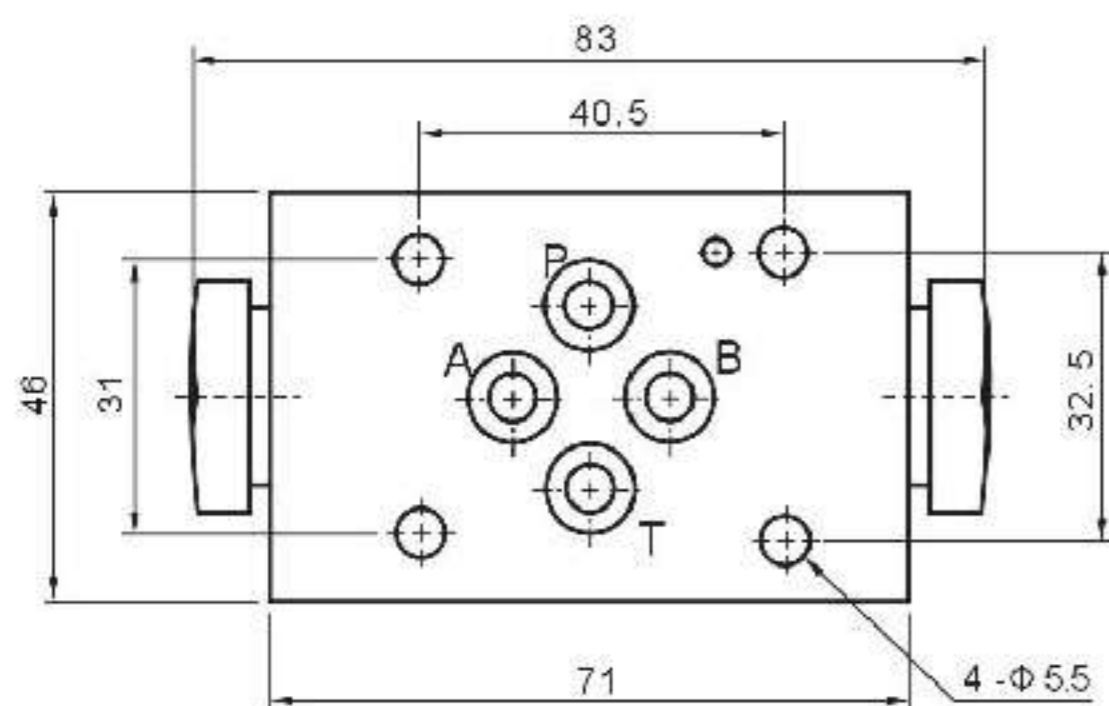


MPCV-02W

Dimensions

Unit: mm

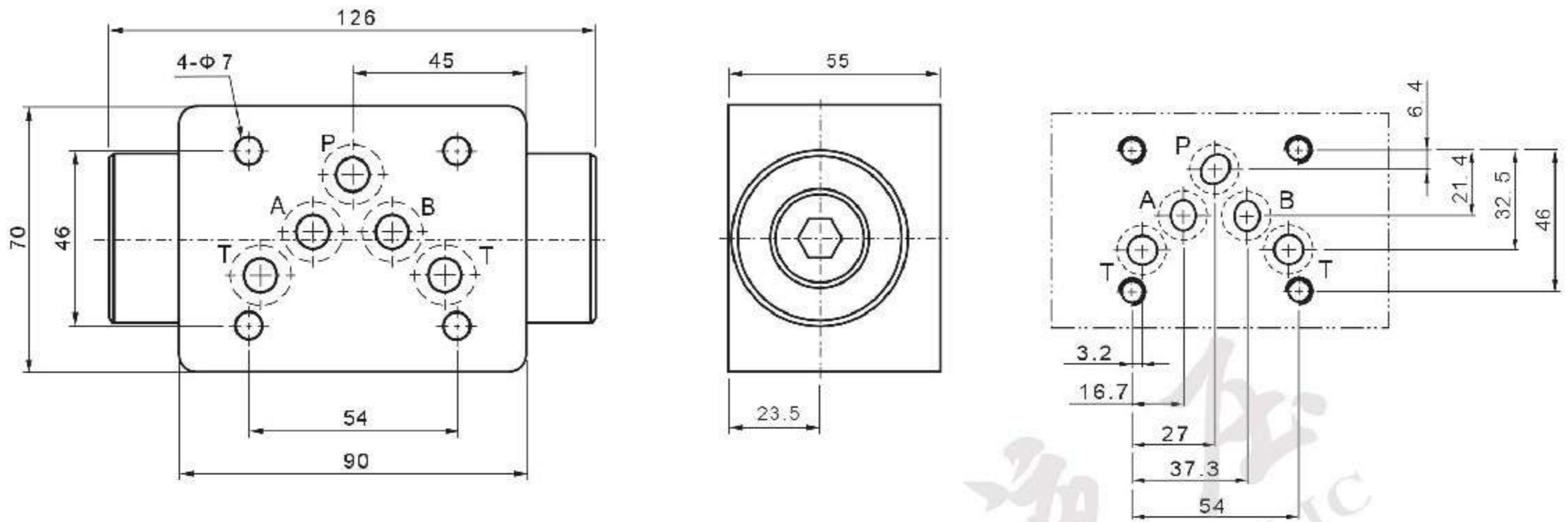
MPCV-02



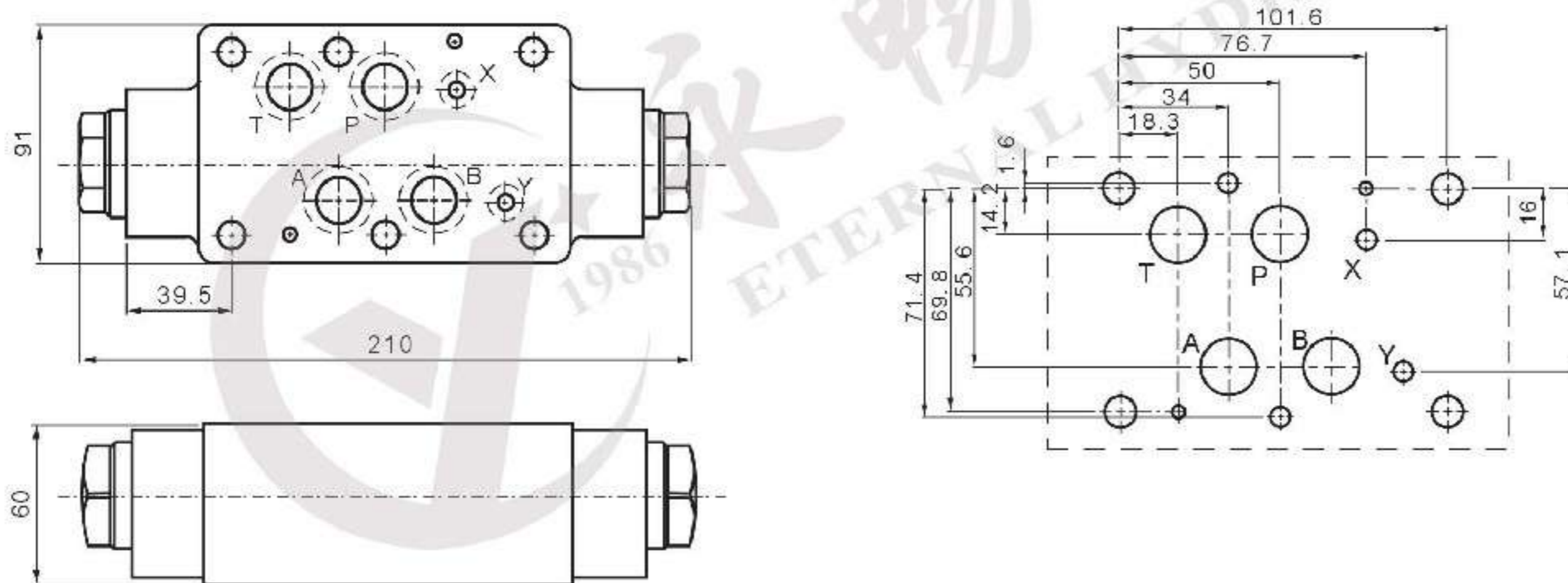
Dimensions

Unit: mm

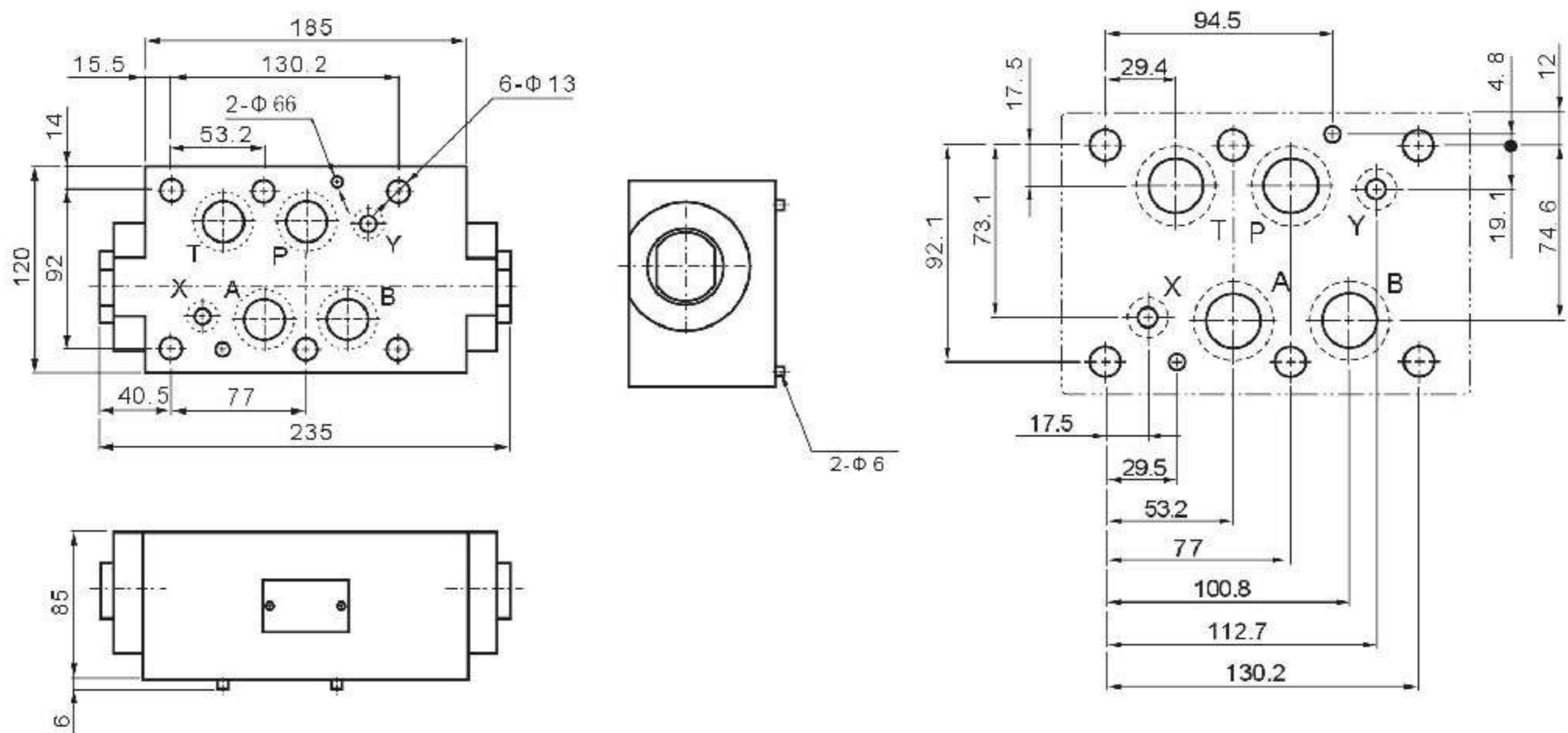
MPCV-03



MPCV-04



MPCV-06



MCS series modular balance valves can balance the pressure of one certain line in hydraulic system.

Ordering details

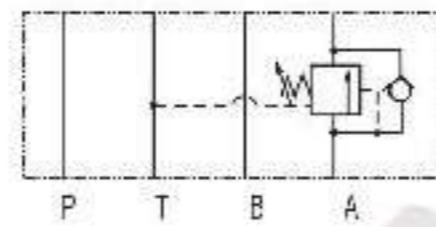


MCS	02	A	K	1	20
Sort	Nominal size	Pilot oil port	Adjustment type	Pressure adjustment range	Design code
Modular balance valve	02:NG6 Cetop3	A:A port B:B port	No code: Without knob K: With plastic knob	1:8~70bar 2:35~140bar 3:70~250bar	20

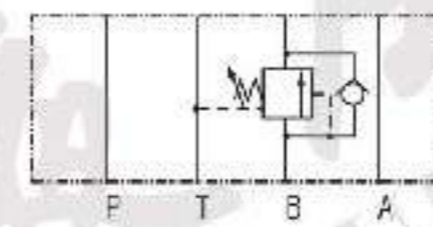
Technical specification

Model	MCS-02
Max. flow rate (l/min)	35
Working pressure (MPa)	25
Weight(kgs)	1.5

Symbol list



MCS-02A



MCS-02B

Dimensions

Unit: mm

