



企业简介

COMPANY PROFILE

台州永畅液压机械有限公司是一家专业从事各类液压件设计、生产、销售的实力型企业，拥有8年液压元件国内外的设计销售经验！2015年与韩国公司合作成立台州永畅液压机械有限公司，韩国技术与品质管控体系，最优的服务与价格！

公司业务主要为液压元件及机械配件两大块，液压元件有叶片泵、齿轮泵、液压阀、液压马达、液压电机、压力表等液压辅件与液压系统；机械配件主要以叉车配件、卡车配件、装载机配件、压路机械配件、挖机配件为主。

公司现有PV2R油研、V/VQ威格士、T6丹尼逊、SQP东机美系列叶片泵、VP系列变量叶片泵、V10&V20&VTM42叶片泵、YB1&YB-D&YBE叶片泵、QT住友系列内啮合齿轮泵、SGP&KZP4岛津/KYB齿轮泵、HGP&GPY&P2齿轮泵、CBN&CBT&CBK齿轮泵、油研&力士乐系列液压阀、BM伊顿系列摆线马达、电机泵组，产品广泛应用于塑料机械、压铸机械、锻压机械、工程机械、橡胶机械、玻璃制品机械、烟草机械、皮革机械及各类液压系统等领域。

永畅液压致力成为国内外液压机械行业最具影响力的供应商。专注液压传动领域发展，是永畅未来发展的重大目标！诚邀各界英才莅临指导合作！

Taizhou Eternal Hydraulic Machine Co., Ltd is a strength Professional company which specialized in Hydraulic Component and Machine Parts in China, with more than 8 years experience focusing on the abroad and Domestic Market.

In cooperation with the Korean company, the company was established in 2015, with Korea technology and Quality Control system, best service and price in China.

Our main business are Hydraulic Components and Machine Parts, Hydraulic Components including Hydraulic Vane pump, Hydraulic Gear Pump, Hydraulic Valve, Hydraulic Motor, Electric Motor, Hydraulic accessories and Hydraulic System etc.

The Machine Parts including Forklift parts, Truck Parts, Wheel Loader parts, Excavator Parts etc.

Our products include: PV2R Yuken vane pump, V/VQ Vickers vane pump, T6 Den son vane pump, SQP Tokimec vane pump, VP variable vane pump, V10&V20&VTM42 vane pump, QT Sumitomo gear pump, SGP&KZP4 Shimadzu/KYB gear pump, HGP&GPY&P2 Gear Pump, CBN/CBT/CBK gear pump, Yuken&Rexroth Series Hydraulic Valve, BM series Eaton&Danfoss Hydraulic Motor, Electric Motor etc, are widely used in Construction Machinery, Mining Machinery, Rubber&Plastic machinery, Shoe Machinery, Die Casting Machinery, Metallurgical Machinery, Metal Cutting Machinery and all types hydraulic systems.

Devotion makes perfection in hydraulic industry. We commit ourselves to the supplier of hydraulic components with most influential in China.

Welcome to visit the guidance and cooperation!

CONTENT

HYDRAULIC VALVE

A. Directional Valve Series

A1~A3	4WE Series Solenoid Directional Control Valve
A4~A6	4WEH/4WH Series Solenoid Pilot/ Hydraulic Operated Directional Control Valve
A7~A8	DSG Series Solenoid Directional Control Valve
A9~A11	DSHG/DHG Series Solenoid Pilot/ Hydraulic Operated Directional Control Valve
A12	YJ4WE6 Series Solenoid Directional Control Valve
A13~A16	DM Series Manual Operated Directional Valve
A17	DCG Series Mechanical Operated Directional Valve
A18	SW Series Solenoid Check Valve
A19	CP(D) Series Pilot Operated Check Valve
A20	RVP Series Check Valve
A21	AJ Series Orthogonal Check Valve
A22	CIT Series In-line Check Valve
A23	DL4WE Series Solenoid Serial Mounting Directional Valve
A24	KVH Series Solenoid Serial Mounting Directional Valve
A25~A27	4WEJ Series Solenoid Directional Control Valve with Spool Position Detection

B. Modular valve Series

B1~B3	MRV Series Modular Relief Valve
B4	MSRV Series Modular Solenoid Operated Relief Valve
B5~B7	MBRV Series Modular Reducing Valve
B8	MSBRV Series Modular Solenoid Reducing Valve
B9~B10	MC Series Modular Check Valve
B11~B12	MSC Series Modular Solenoid Check Valve
B13~B14	MSCC Series Modular Solenoid Two Way Check Valve
B15~B17	MTCV Series Modular Throttle Check Valve
B18~B19	MT(CV) Series Modular Throttle (Check) Valve
B20~B21	MST Series Modular Solenoid Throttle Valve
B22~B23	MPCV Series Modular Pilot Operated Check Valve
B24	MCS Series Modular Balance Valve

C. Pressure Valve Series

C1~C3	DB Series Pilot Operated Relief Valve/ DBW Series Solenoid Operated Relief Valve
C4~C5	DA Series Pilot Operated Unloading Valve/ DAW Series Solenoid Operated Unloading Valve
C6~C7	DR Series Pilot Operated Pressure Reducing Valve
C8~C9	DZ Series Pilot Operated Pressure Sequence Valve
C10~C12	BS Series Low Noise Pilot Operated Relief Valve/ SBS Series Low Noise Solenoid Operated Relief Valve
C13~C14	RV Series Pilot Operated Relief Valve
C15~C16	SRVG Series Solenoid Operated Relief Valve
C17	DG Series Remote Control Relief Valve
C18~C19	DBD Series Direct Operated Relief Valve
C20~C21	H(C)G Series Sequence Counter Balance Unloading Valve

D. Proportional Valve Series

D1	EDG Series Proportional Directly Operated Relief Valve
D2~D3	EBG Series Proportional Pilot Operated Relief Valve
D4~D5	EBDG Series Proportional Pressure and Flow Control Valve
D6~D7	DRE Series Proportional Pilot Operated Pressure Reducing Valve
D8	4WRA Series Proportional Directional Control Valve

E. Flow control valve series

E1	JMP Series Mechanical Operated Throttle Check Valve
E2~E3	DV/DRV Series Throttle Valve/ Throttle Check Valve
E4	TV/TCV Series Throttle Valve/ Throttle Check Valve

EDG series proportional directly operated relief valves can be used to control pressure in hydraulic systems with rapid response and high accuracy.



Ordering details

ED	G	01	2	10
Sort	Mounting type	Nominal size	Pressure adjustment range	Design code
Proportional directly operated relief valve	G: Subplate mounting	01	2: 2~160bar 3: 3~250bar	10: With safety valve 11: Without safety valve

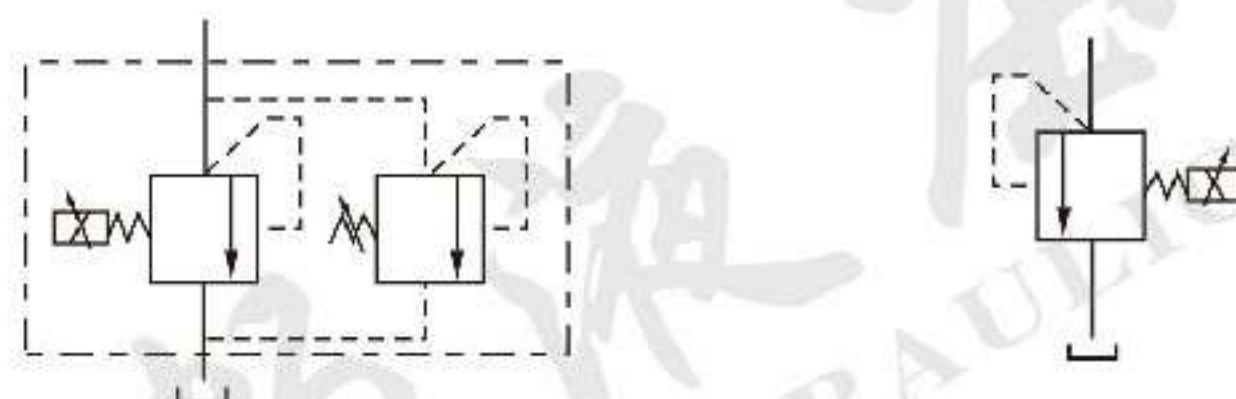
Technical specification

Model	EDG-01	
Max. working pressure (MPa)	25	
Max. flow rate (l/min)	2	
Min. flow rate (l/min)	0.3	
Pressure adjustment range (bar)	2~160	3~250
Rated current (mA)	900	950
Coil resistance (Ω)	10	
Hysteresis	<3%	
Repeatability	1%	
Weight(kgs)	2	

Symbol

With safety valve

Without safety valve

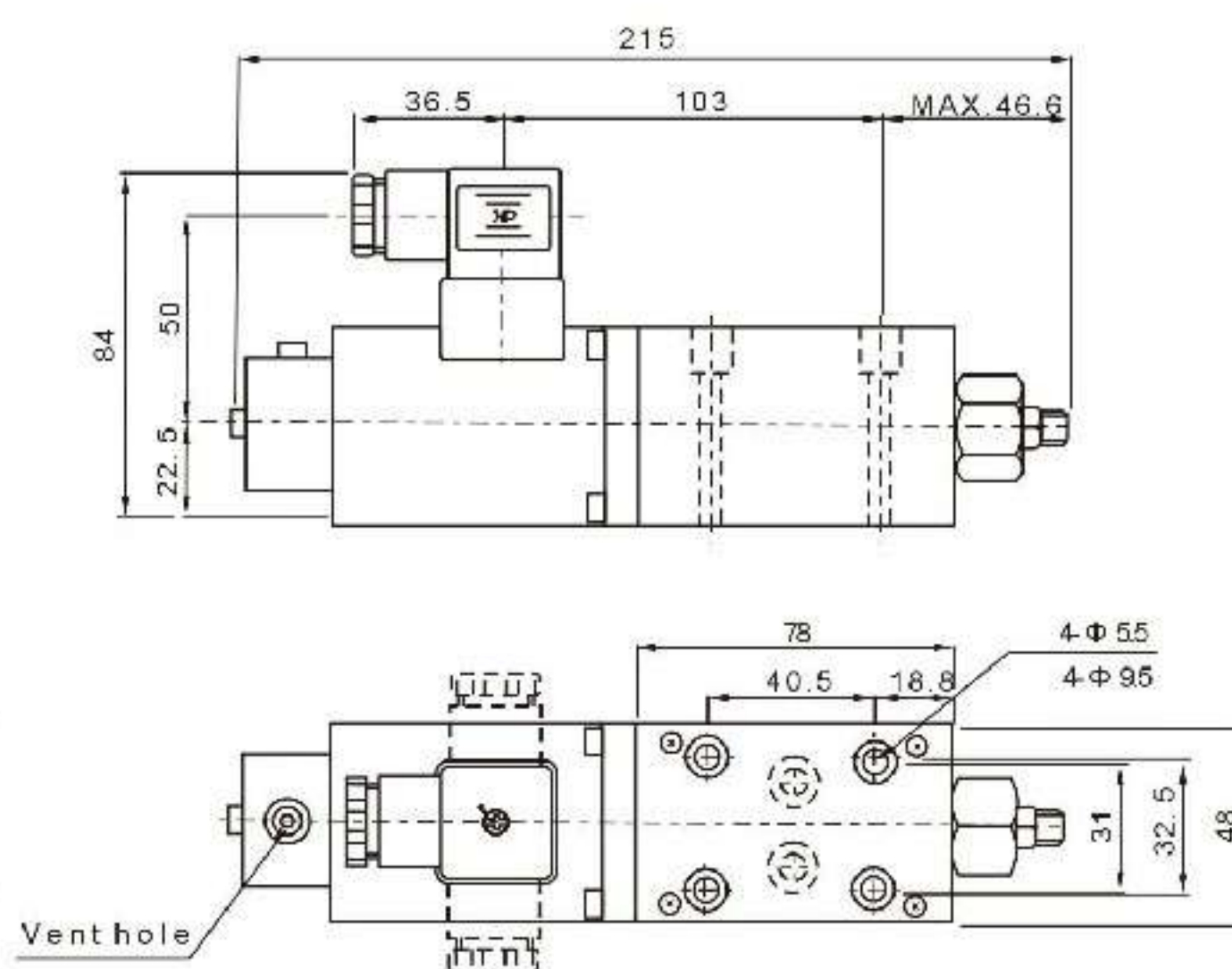
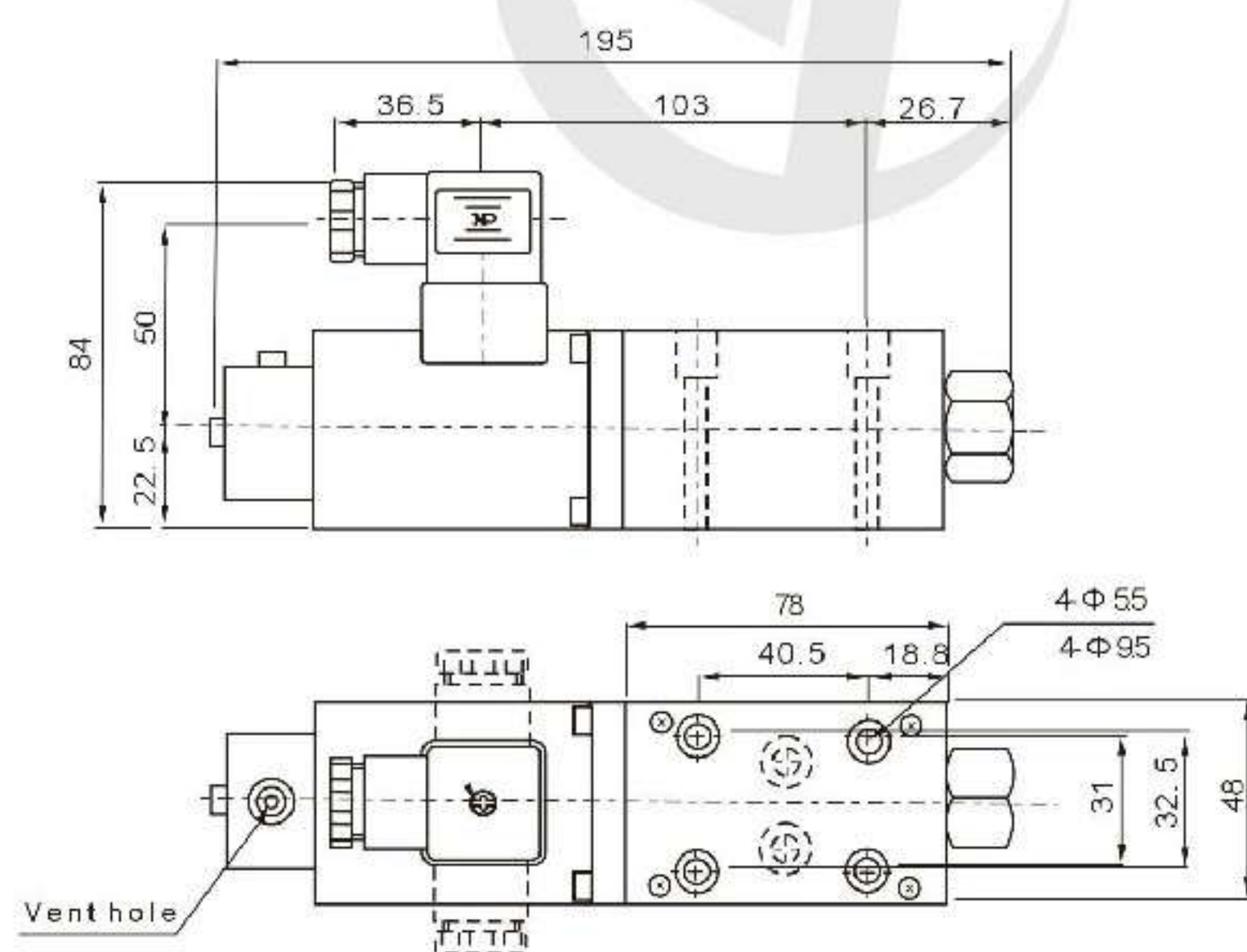


Dimensions

Unit: mm

EDG-01-* -11

EDG-01-* -10





EBG series proportional pilot operated relief valves can change system pressure continuously by electrical input signal with safety valve.

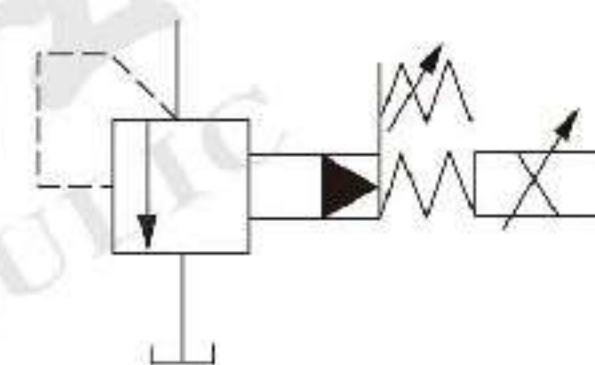
Ordering details

EB	G	03	2	L	10
Sort	Mounting type	Nominal size	Pressure adjustment range	Handwheel position	Design code
Proportional pilot operated relief valve	G: Subplate mounting	03: NG10 06: NG20	2: 2~160bar 3: 3~250bar	L: Left R: Right	10

Technical specification

Model	EBG-03		EBG-06	
Max. working pressure (MPa)	25		25	
Max. flow rate (l/min)	100		200	
Pressure adjustment range (bar)	2~160	3~250	2~160	3~250
Rated current (mA)	700	820	750	800
Coil resistance (Ω)	10		10	
Hysteresis	<2%		<2%	
Repeatability	1%		1%	
Weight(kgs)	5.6		6.3	

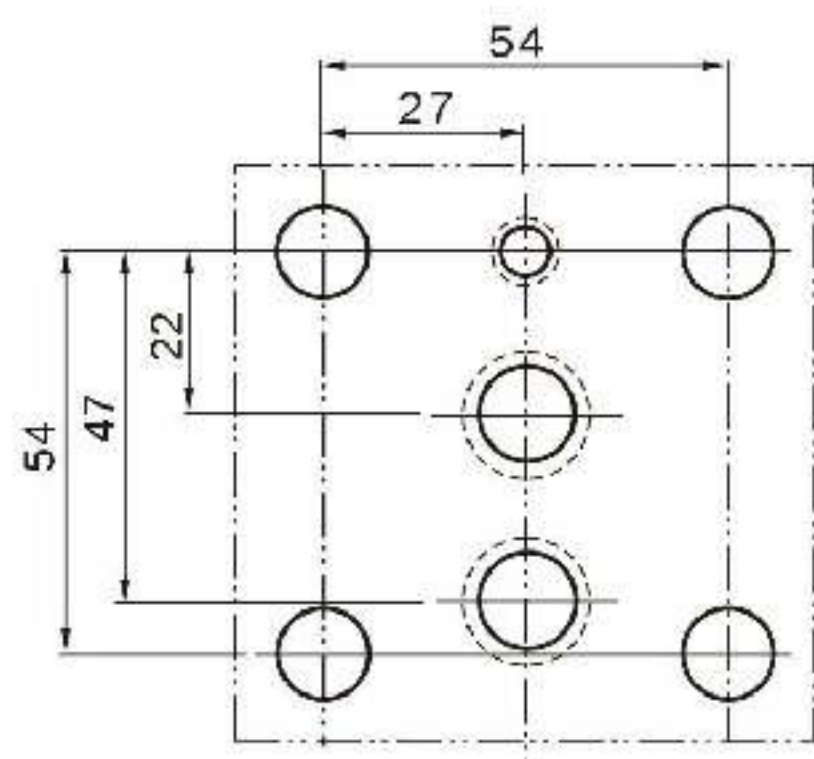
Symbol



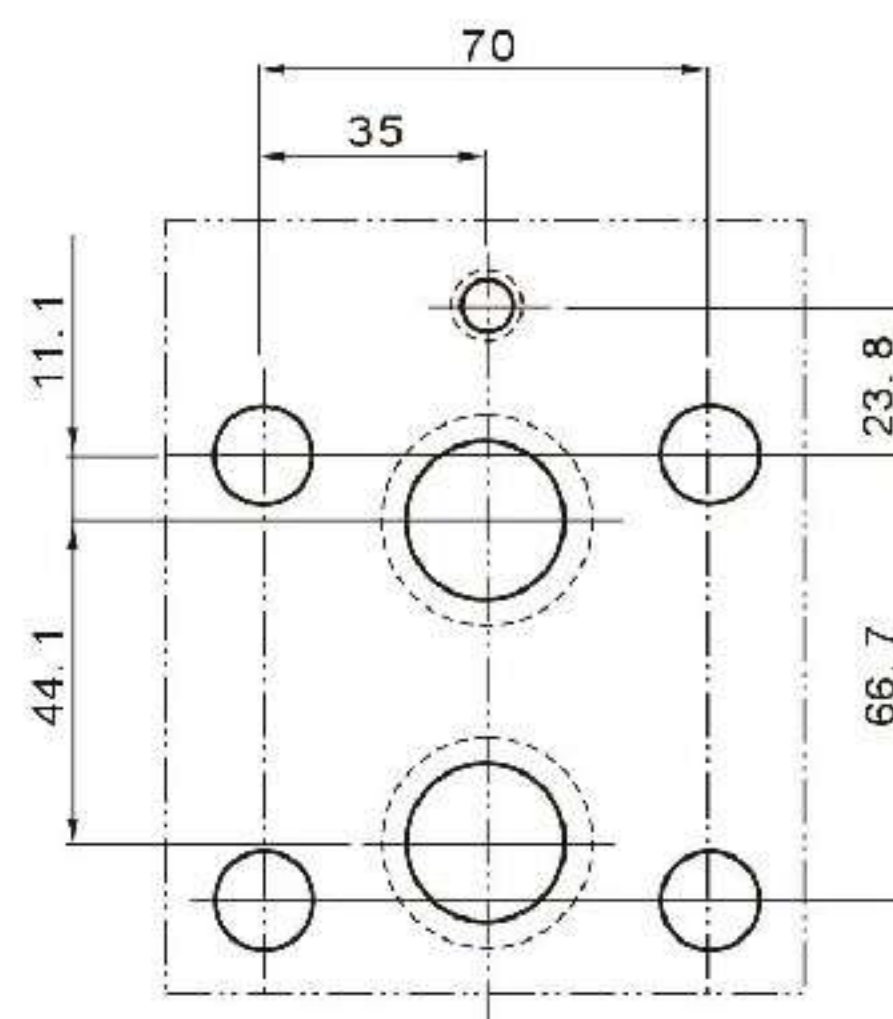
Mounting size

Unit: mm

EBG-03

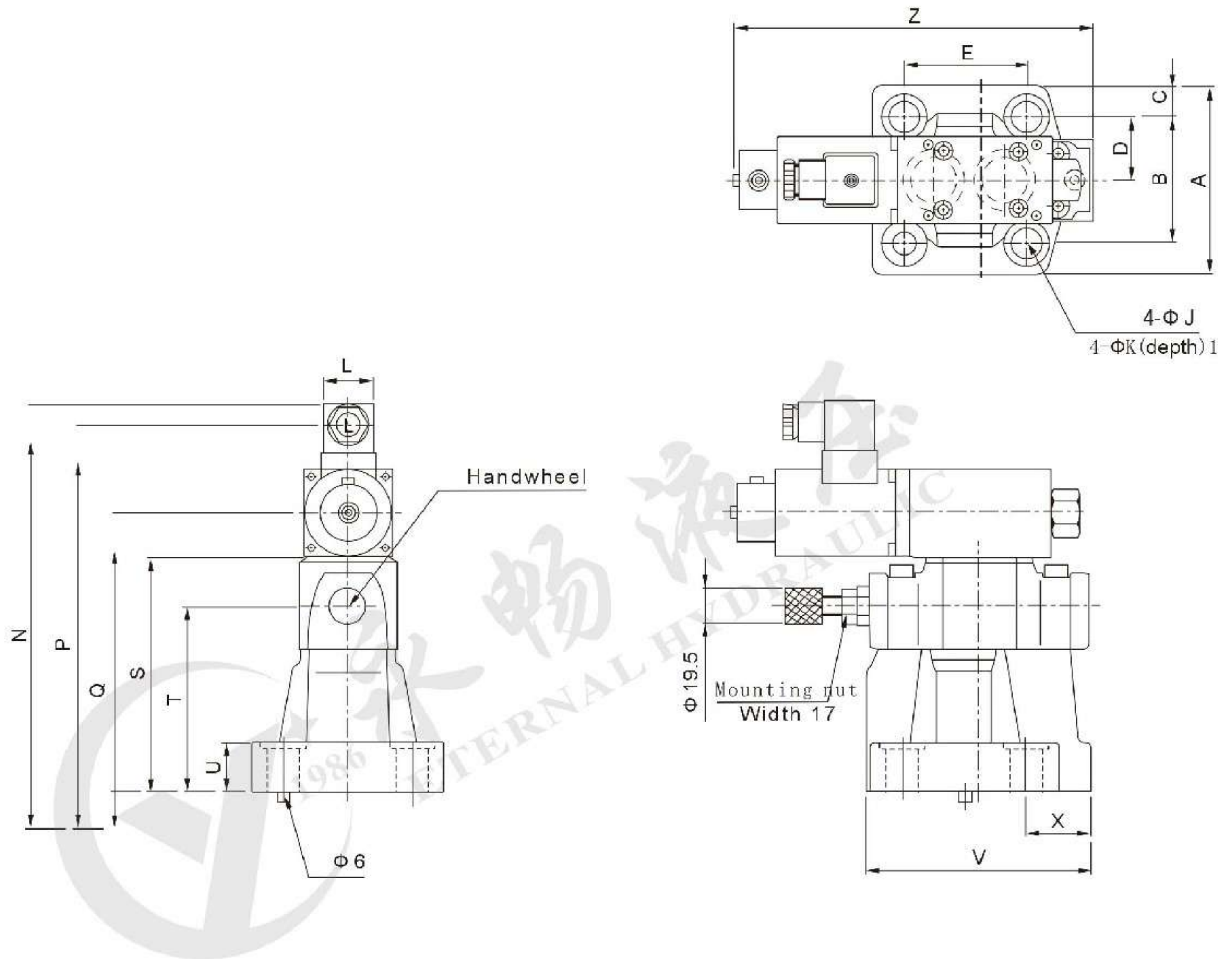


EBG-06



Dimensions

Unit: mm



Model	A	B	C	D	E	J	K	L	N	P	Q	S	T	U	V	X	Z
EBG-03	76	53.8	11.1	26.9	53.8	13.5	21	48	220.5	206.8	157	132	104	22	106	26	197
EBG-06	104	70	17	35	66.7	17.5	25	48	220.5	206.8	157	132	104	27	123	36.5	197



EBDG series proportional pressure and flow control valves adopt two electrical loops to control pressure and flow of hydraulic system respectively. Using very small pressure drop to track load pressure and control the pump pressure, it is an energy-saving valve.

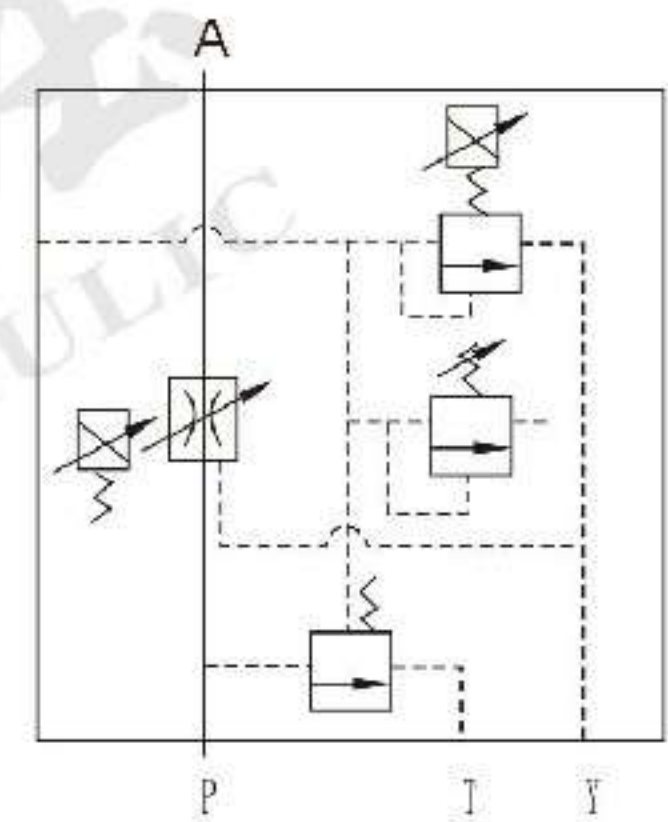
Ordering details

EBD	G	03	125	2	20
Sort	Mounting type	Nominal size	Max. flow	Pressure adjustment range	Design code
Proportional pressure and flow control valve	G: Subplate mounting	03: NG10	125l/min	2: 8~140bar 3: 10~210bar	20

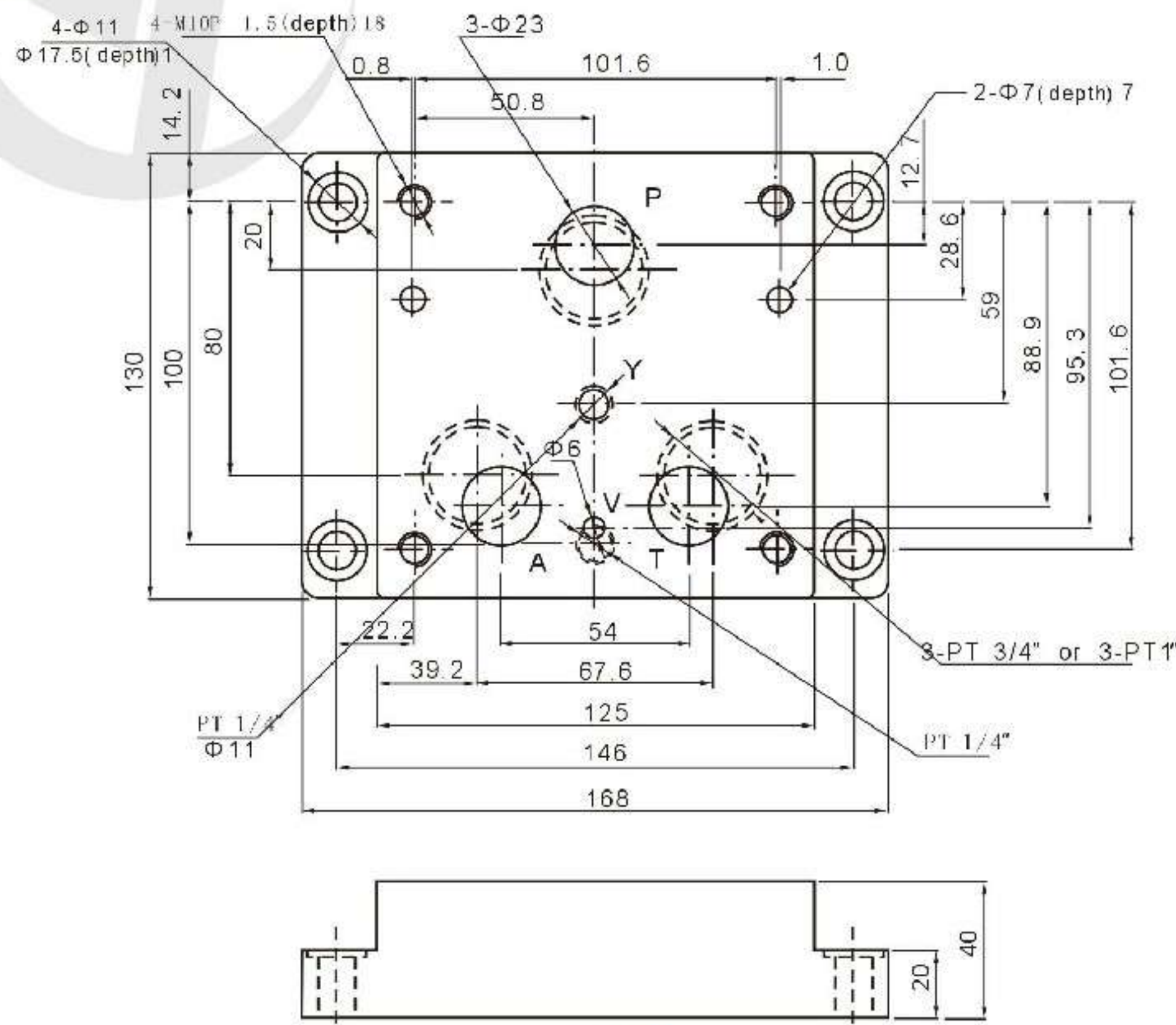
Technical specification

Model	EBDG-03 (flow control)	EBDG-03 (pressure control)	
Flow and pressure adjustment range	1-125l/min	8~140bar	10~210bar
Rated current (mA)	750	780	820
1. Inner pressure loss 2. allowable backpressure	1: 5bar	2: <5bar	
Coil resistance (Ω)	40	10	
Hysteresis	<7%	<3%	
Repeatability	1%		
Weight(kgs)	18		

Symbol



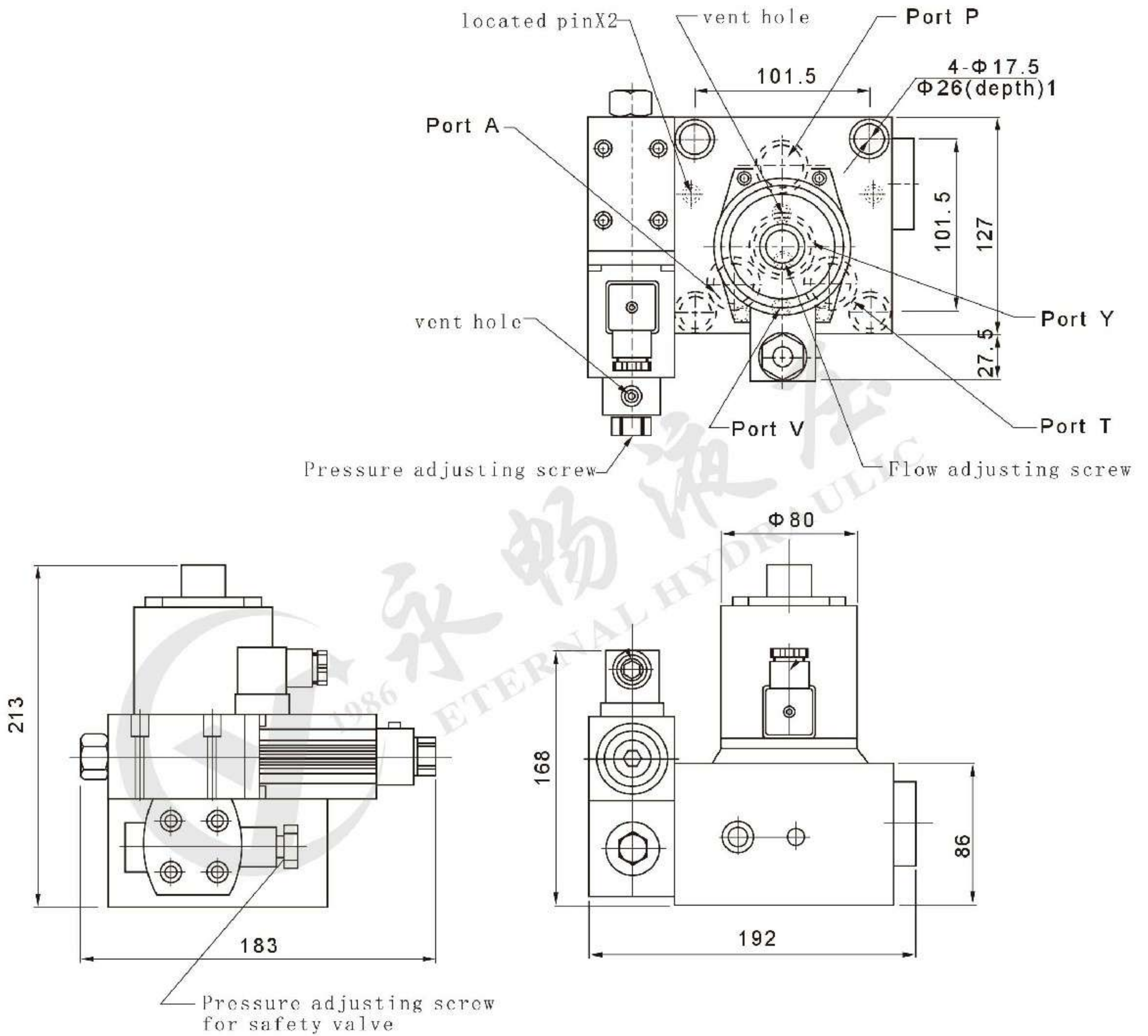
Mounting size



Unit: mm

Dimensions

Unit: mm





DRE series proportional pilot operated pressure reducing valves can change system pressure continuously by electrical input signal.

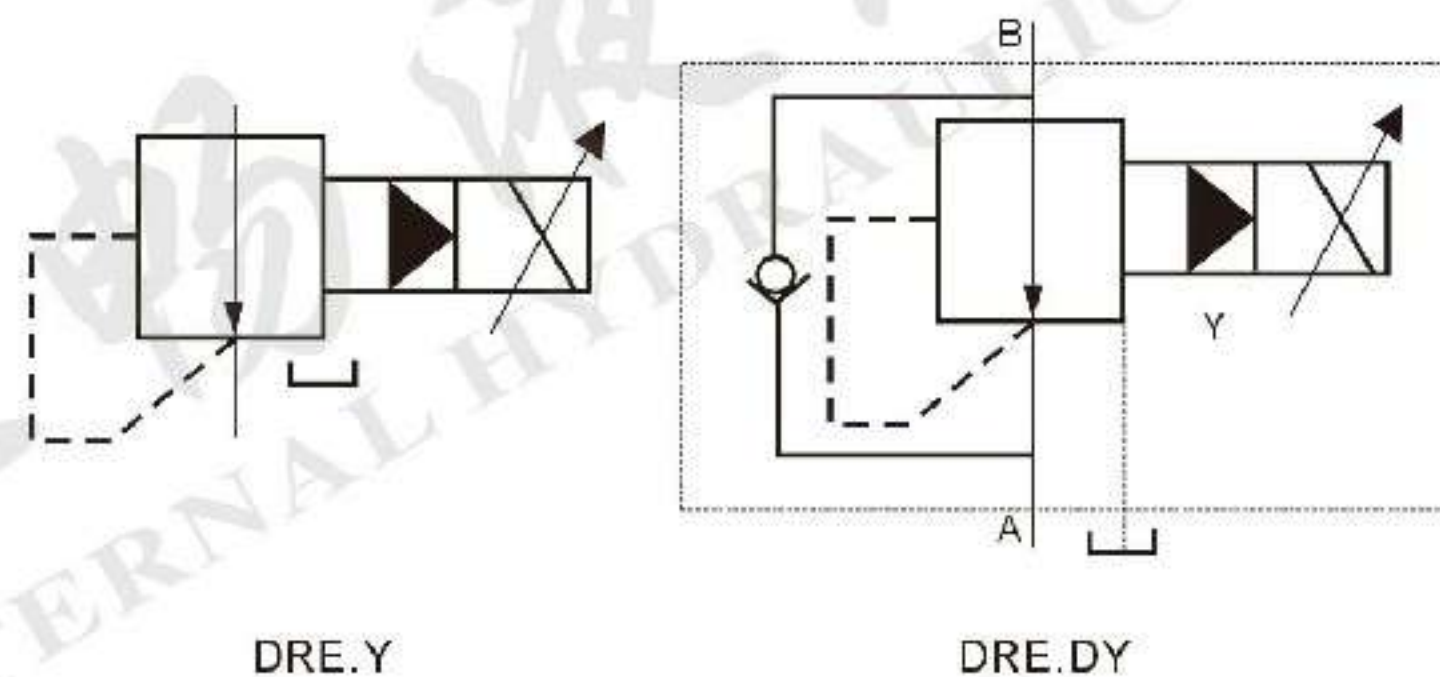
Ordering details

DRE	03	8	D	Y	50
Sort	Nominal size	Second pressure adjustment range	With check valve	Oil control	Design code
Proportional pilot operated pressure reducing valve	03: NG10 06: NG20 10: NG30	8: 80bar 16: 160bar 25: 250bar 31.5: 315bar	No code: without check valve D: with check valve	Y: internal control external drain	50

Technical specification

Model	DRE-03	DRE-06	DRE-10
Max. working pressure (MPa)	31.5		
Max. flow rate (l/min)	80	200	300
Rated current (mA)	800		
Coil resistance (Ω)	19.5		
Hysteresis	<2.5%		
Repeatability	2%		
Weight(kgs)	4.8	6.3	8.6

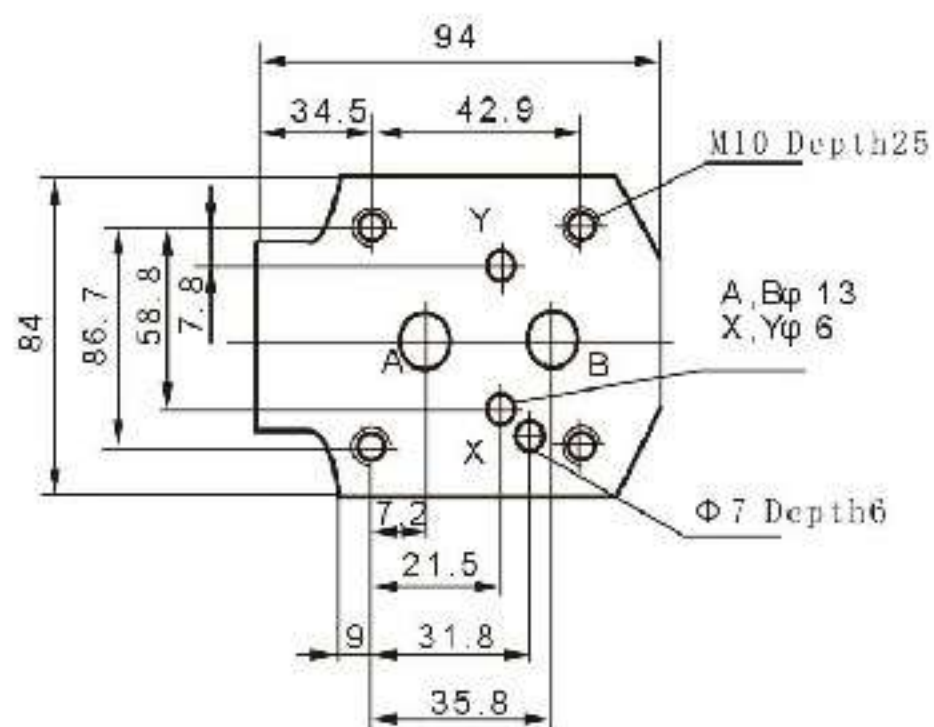
Symbol



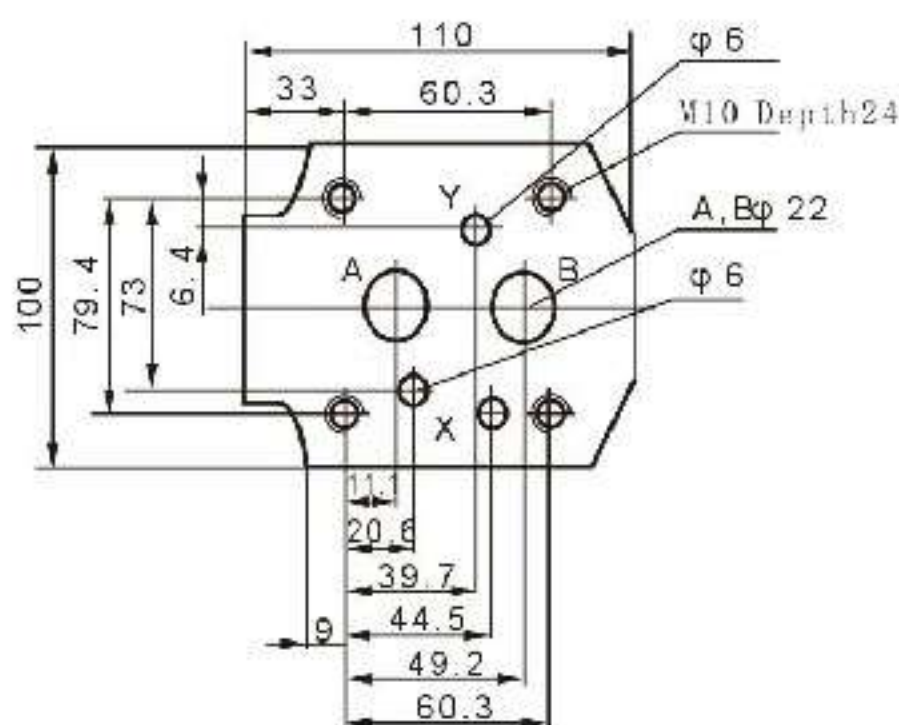
Mounting size

Unit: mm

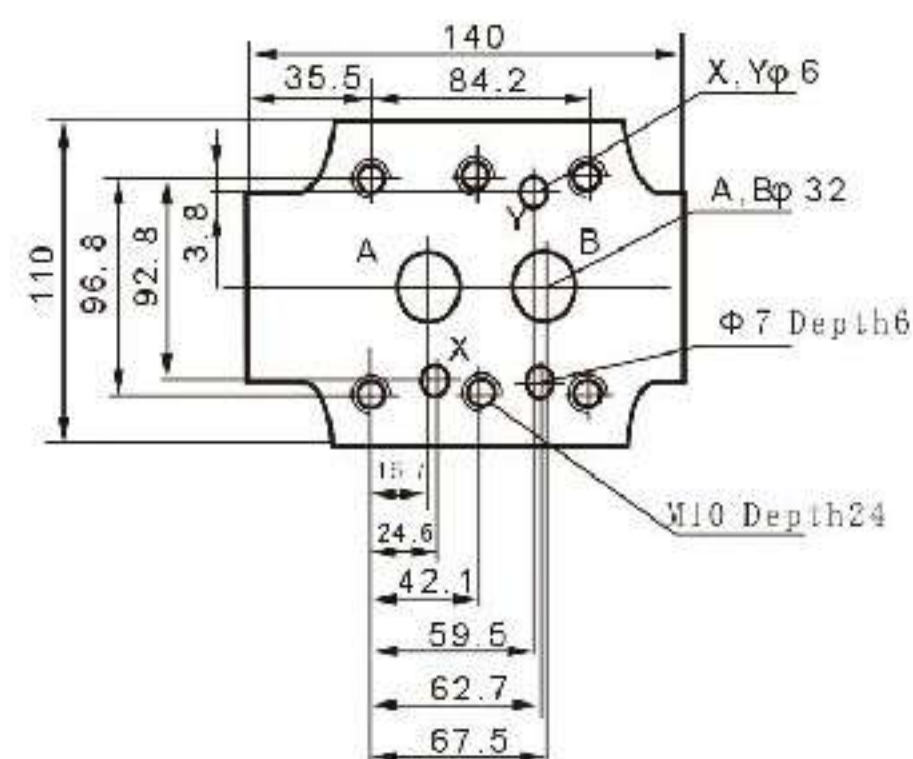
DRE-03



DRE-06

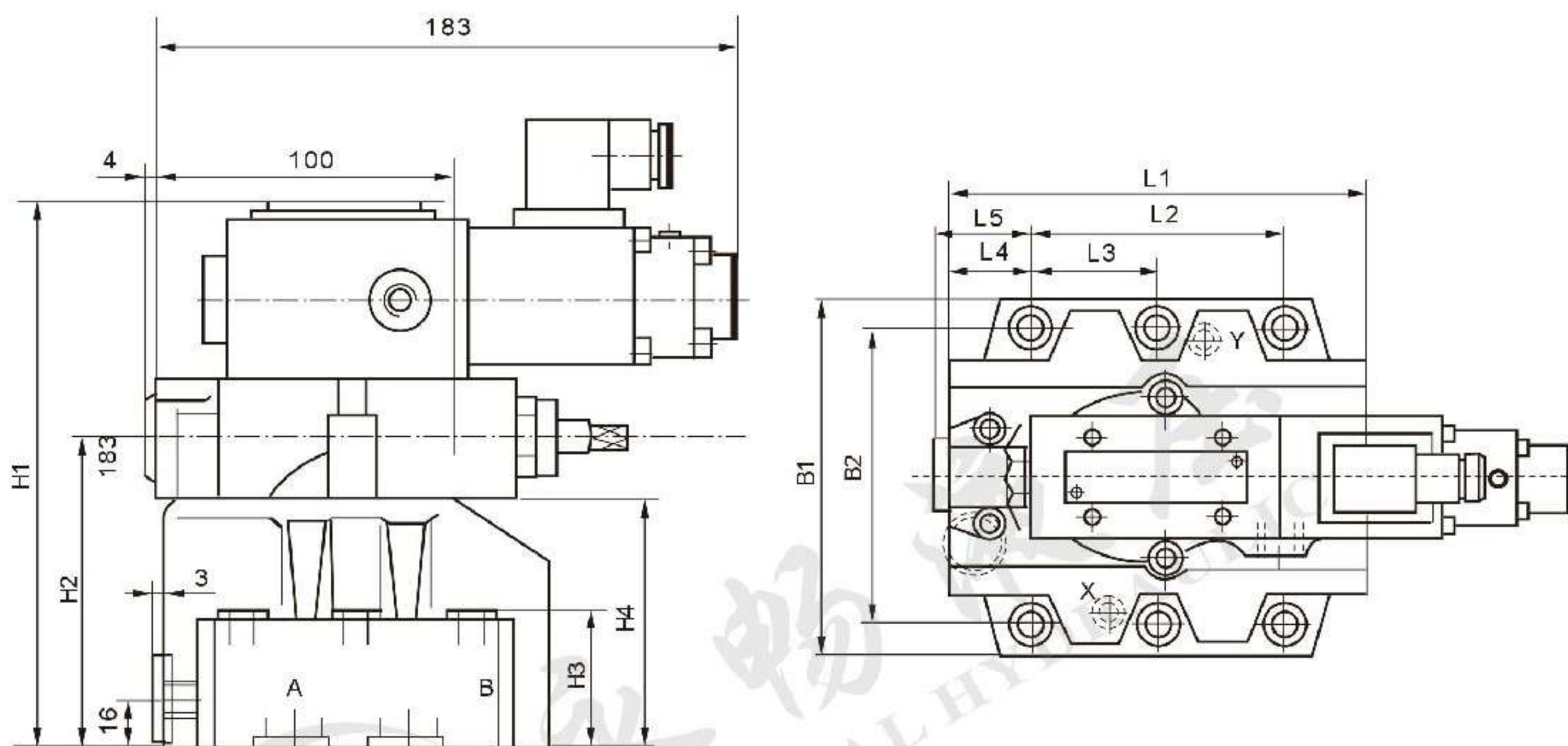


DRE-10



Dimensions

Unit: mm



Model	B1	B2	H1	H2	H3	H4	L1	L2	L3	L4	L5
DRE-03	85	66.7	190	92	28	72	90	42.9	-	35.5	34.5
DRE-06	102	79.4	200	102	38	82	112	60.3	-	33.5	37
DRE-10	120	96.8	208	110	46	90	140	84.2	42.1	28	31.3

4WRA series proportional directional control valves are controlled by the proportional electromagnet. It is used to control the liquidity's flow and direction.



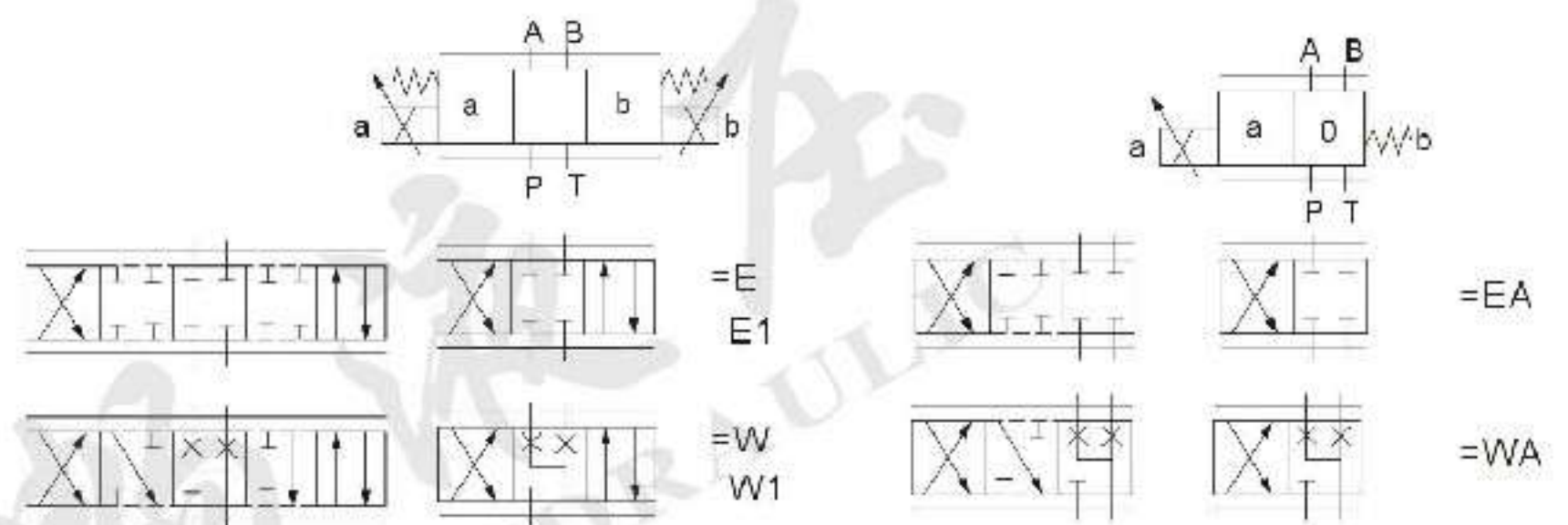
Ordering details

4WRA	6	E	2X	G24
Sort	Nominal size	symbols	Series number	Input voltage
Proportional directional control valve	6:NG6 10:NG10	See symbols list		G24:DC24

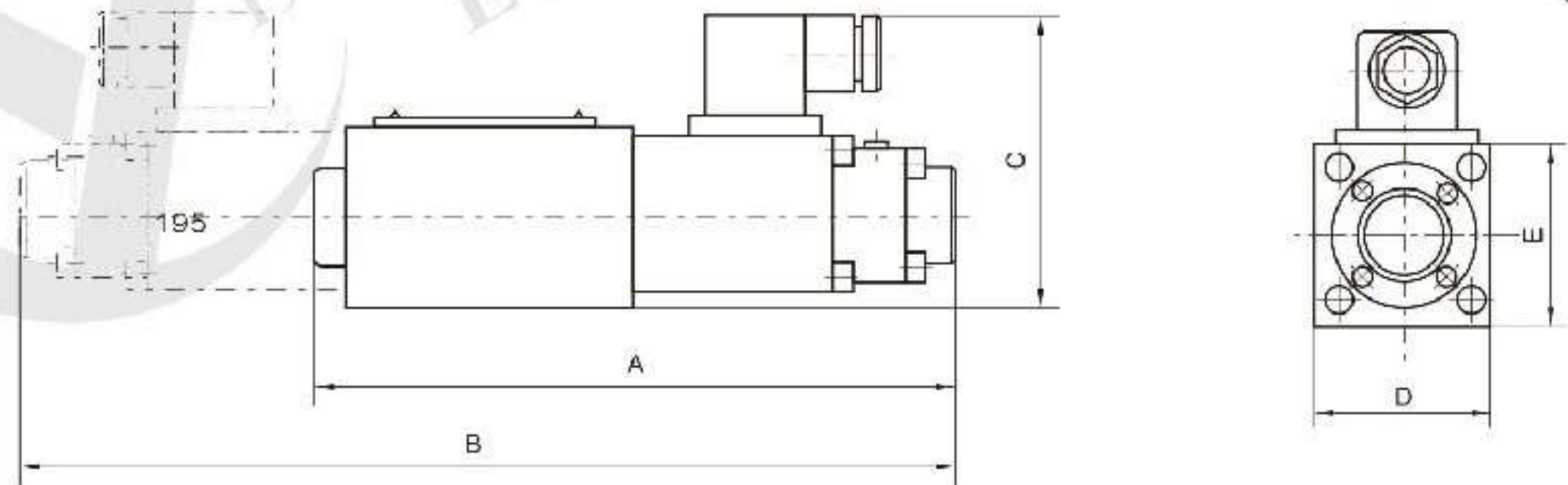
Technical specification

Model		4WRA6	4WRA10
Max. flow rate (l/min)		26	60
Working pressure (MPa)		A,B,P port 25 T port 16	A,B,P port 25 T port 16
Weight (kgs)	Single solenoid	1.9	2.6
	double solenoids	3.8	4.5

Symbol list



Dimensions



Unit: mm

Model	A	B	C	D	E
4WRA6	171	250	78	47	47
4WRA10	205	285	100	70	68

