

序号	名称	数量	序号	名称	数量	序号	名称	数量
1	平键 Flat key	1	5	垫片 Shim	1	9	泵芯 Cartridge kit	1
2	轴 Shaft	1	6	滚动轴承 Rolling bearing	1	10	O型圈 O-ring	1
3	前盖 Front cover	1	7	叠形挡圈 Laminated retaining ring	1	11	后盖 End cover	1
4	油封 Oil seal	1	8	轴用弹性挡圈 External circlips	1	12	六角头螺栓 Hexagon headed bolt	1

■ V/VQ系列单泵 V/VQ Series Single Pump

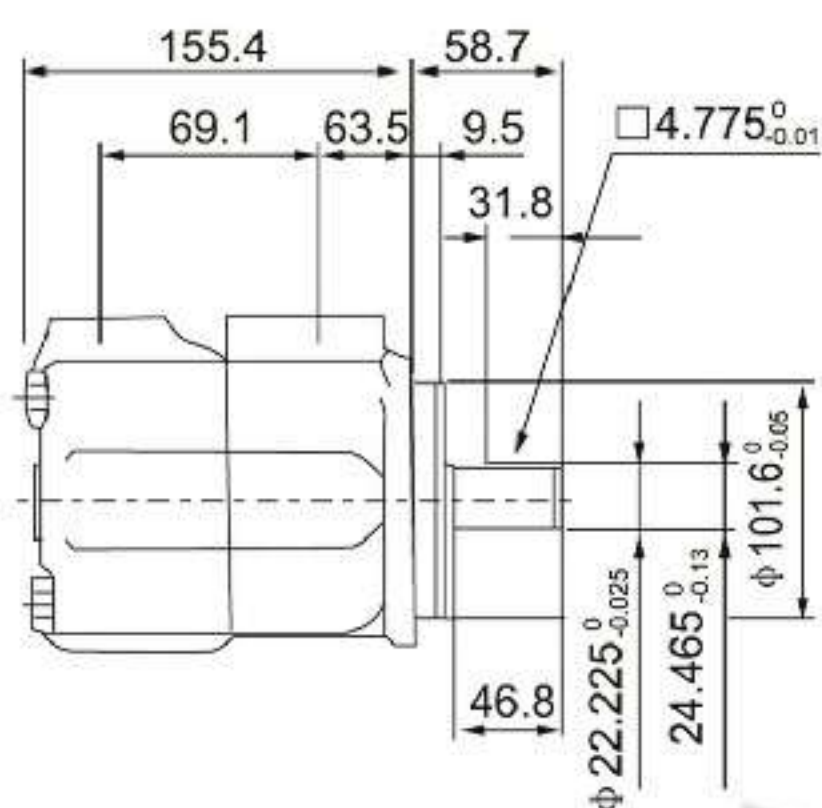
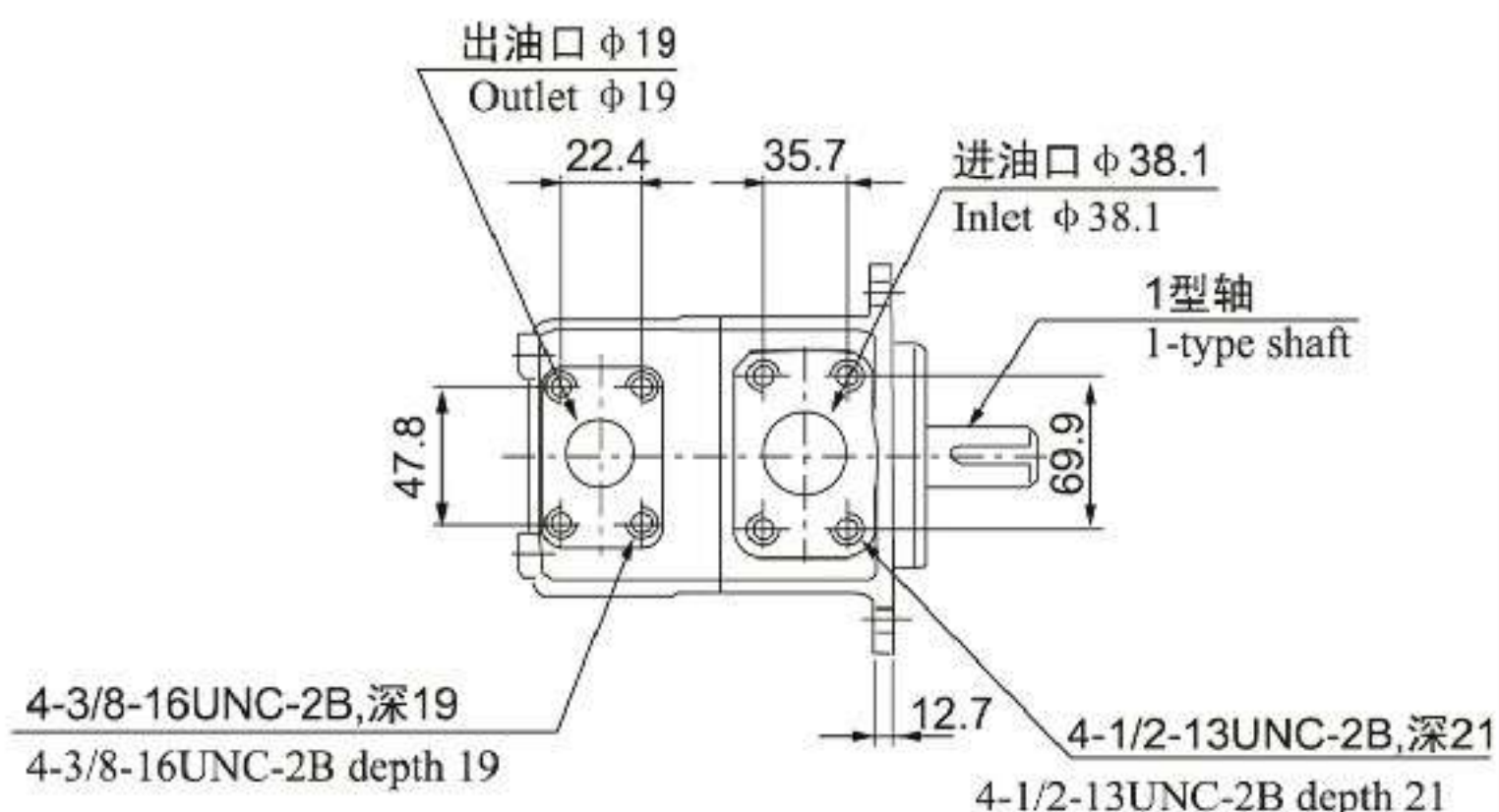
(F3-)	25V	17	A	(F)	-1	A	22	L
前注 Front marks	系列号 Code of series	▲排量代号 Displacement codes	油口连接 Pump port connection	安装型式 Mounting type	轴伸形式 Shaft extension	出油口位置 Outlet port position	设计号 Designing No.	旋转方向 Direction of rotation
无标记: 丁腈橡胶 No mark: Nitrile rubber	20V 20VQ	2,3,4,5,6,7,8,9, 10,11,12,14	A-SAE 4螺栓法兰 4-bolted Flange	无标记: 法兰安装型 Flange mounting F- 脚座安装型 F-Foot mounting	1-带键直轴 1- straight shaft with key 151-花键轴 151-spline shaft	(从泵的盖端看) A-进口油对侧 A- Opposition of inlet B-从进口油逆时针90° B- counterclockwise 90° from inlet C-进口油同侧 C- the same side of inlet D-从进口油顺时针90° D- Clockwise 90° from inlet	22	(从泵的轴端看) (from shaft end pump) L-逆时针旋转 L-counterclockwise rotation 无标记: 顺时针旋转 Clockwise rotation
F3: 氟橡胶 F3: Fluoro rubber	25V 25VQ	10,14,15,17, 19,21			1-带键直轴 1- straight shaft with key 86-重型带键直轴 86-heavy-duty straight shaft with key 11-花键轴 11-spline shaft			
	35V 35VQ	21,25,30,32,35, 38,45						
	45V 45VQ	42,45,50,57,60, 66,75						

■ V/VQ系列双泵 V/VQ Series Double Pump

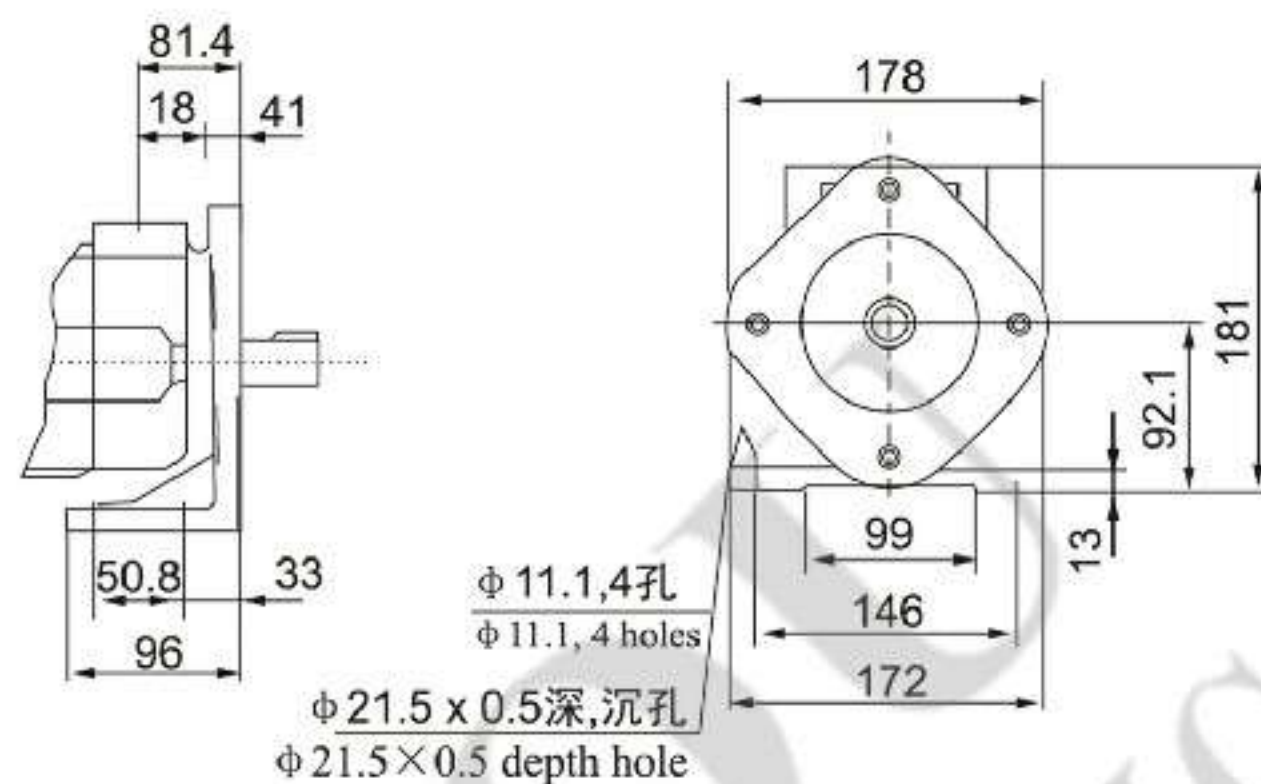
(F3-)	2520V	14	A	8	(F)	-1	*	20	*
前注 Front marks	系列号 Code of series	前泵排量代号 Displacement code of front pump	油口连接 Pump port mounting	后泵排量代号 Displacement code of rear pump	安装型式 Mounting type	轴伸形式 Shaft extension	油口位置 Pump position	设计号 Designing No.	旋转方向 Direction of rotation
无标记: 丁腈橡胶 No mark: Nitrile rubber	2520V 2520VQ	10,12,14,15,17, 19,21	A-SAE 4螺栓法兰 4-bolted Flange	2,3,4,5,6,7,8,9, 10,11,12,14	无标记: 法兰安装型 Flange mounting F- 脚座安装型 F-Foot mounting	1-带键直轴 1- straight shaft with key 86-重型带键直轴 86-heavy-duty straight shaft with key 11-花键轴 11-spline shaft	见下表 See as the following table	20	(从泵的轴端看) (from shaft end pump) 无标记: 顺时针旋转 Clockwise rotation L-逆时针旋转 L-counterclockwise rotation
F3: 氟橡胶 F3: Fluoro rubber	3520V 3520VQ	21,25,30,32,35, 38,45		2,3,4,5,6,7,8,9, 10,11,12,14					
	3525V 3525VQ	21,25,30,32,35, 38,45		10,12,14,15,17, 19,21					
	4525V 4520VQ	42,45,50,57,60, 66,75		2,3,4,5,6,7,8,9, 10,11,12,14					
	4525V 4525VQ	42,45,50,57,60, 66,75		10,12,14,15,17, 19,21					
	4535V 4535VQ	42,45,50,57,60, 66,75		21,25,30,32,35, 38,45					

■ 安装连接尺寸 Installation Size

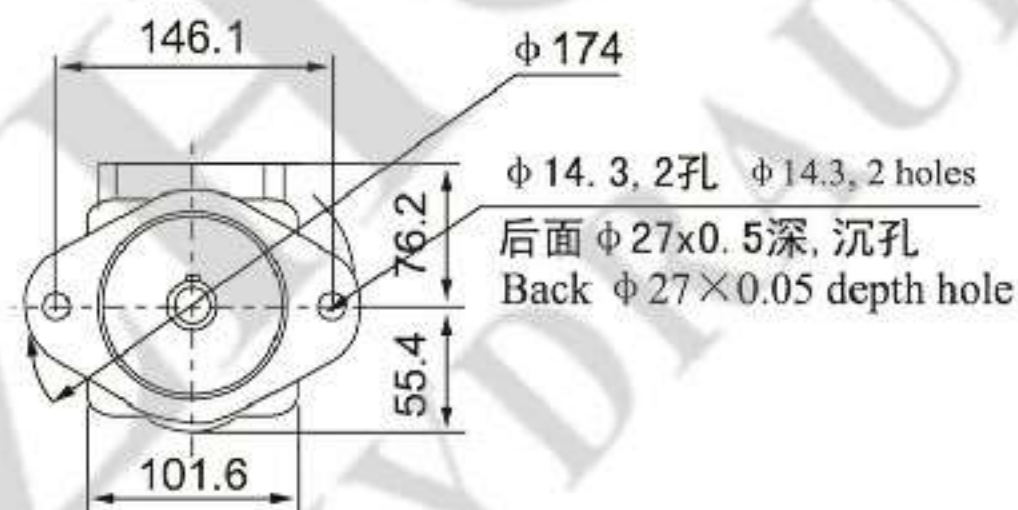
20V/VQ法兰安装 20V/VQ Flange Mounting



20V/VQ脚座安装 20V/VQ Foot Mounting

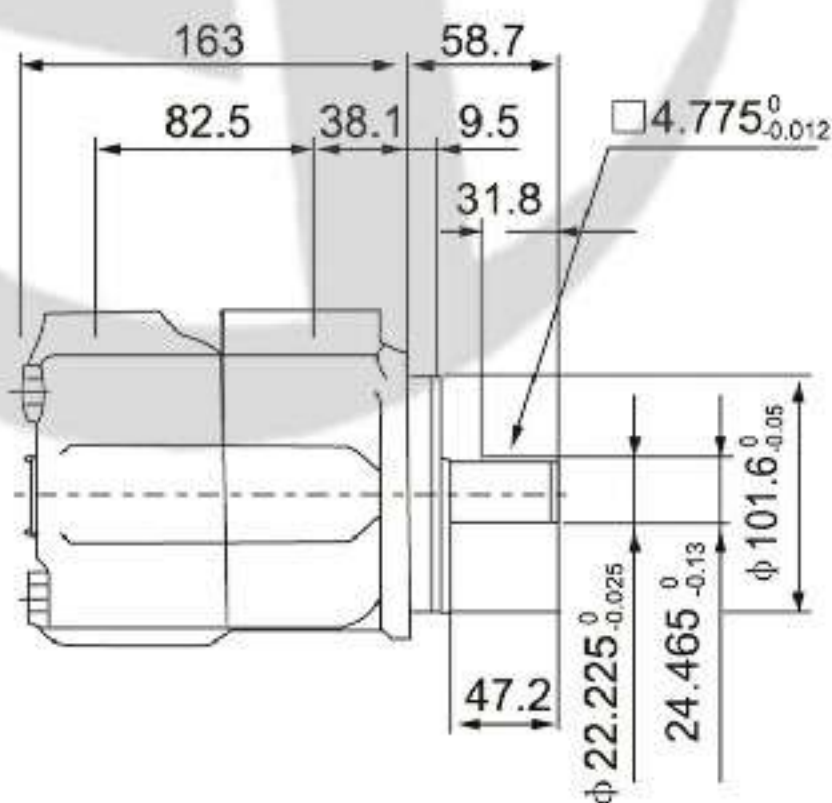
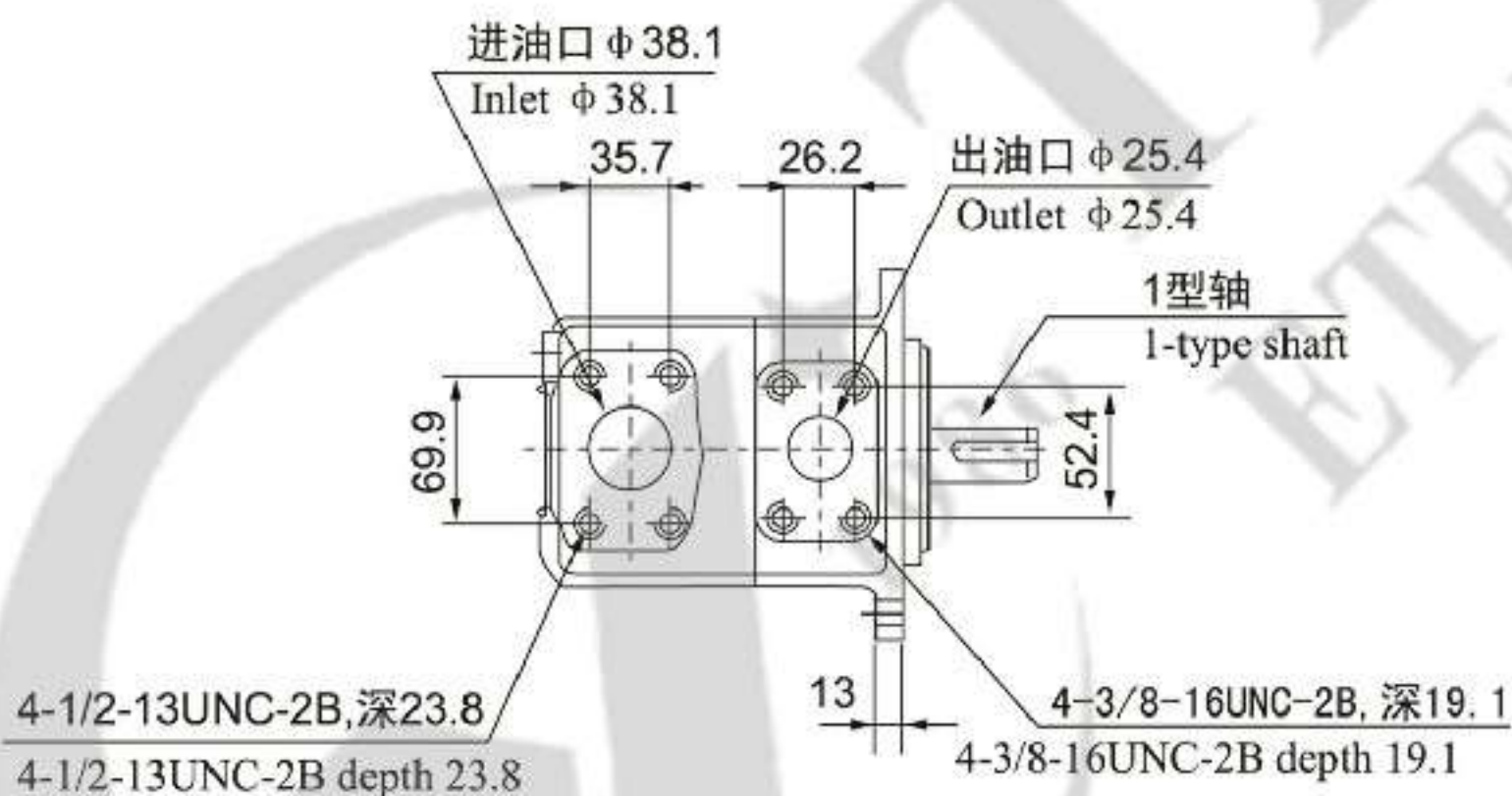


其余尺寸请参照法兰安装型
Please refer to Flange mounting for rest sizes

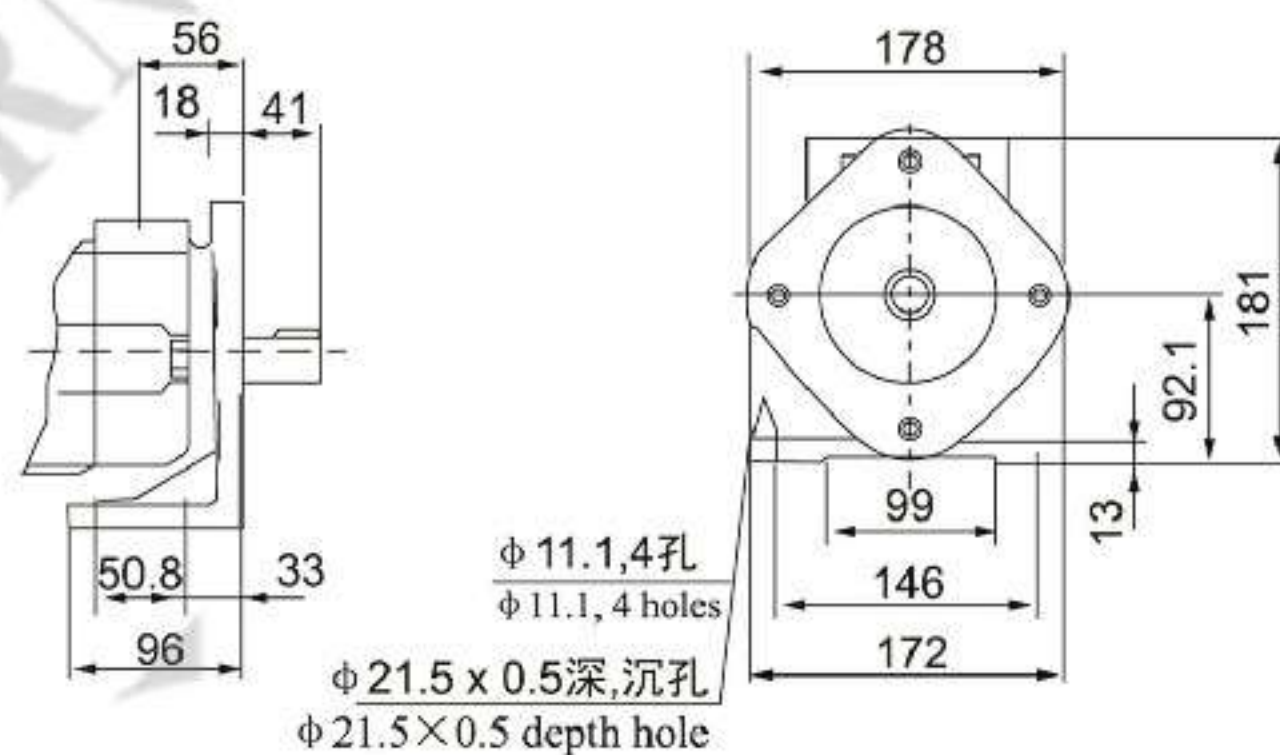


其他轴伸尺寸请参见后页
Please refer to shaft extension sizes in rear page for rest sizes

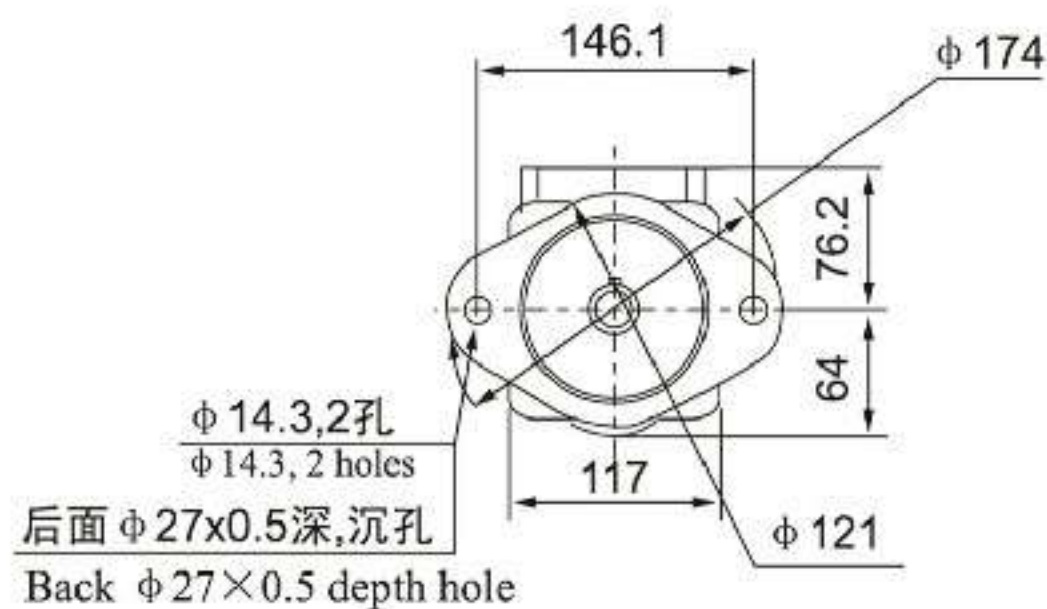
25V/VQ法兰安装 25V/VQ Flange Mounting



25V/VQ脚座安装 20V/VQ Foot Mounting



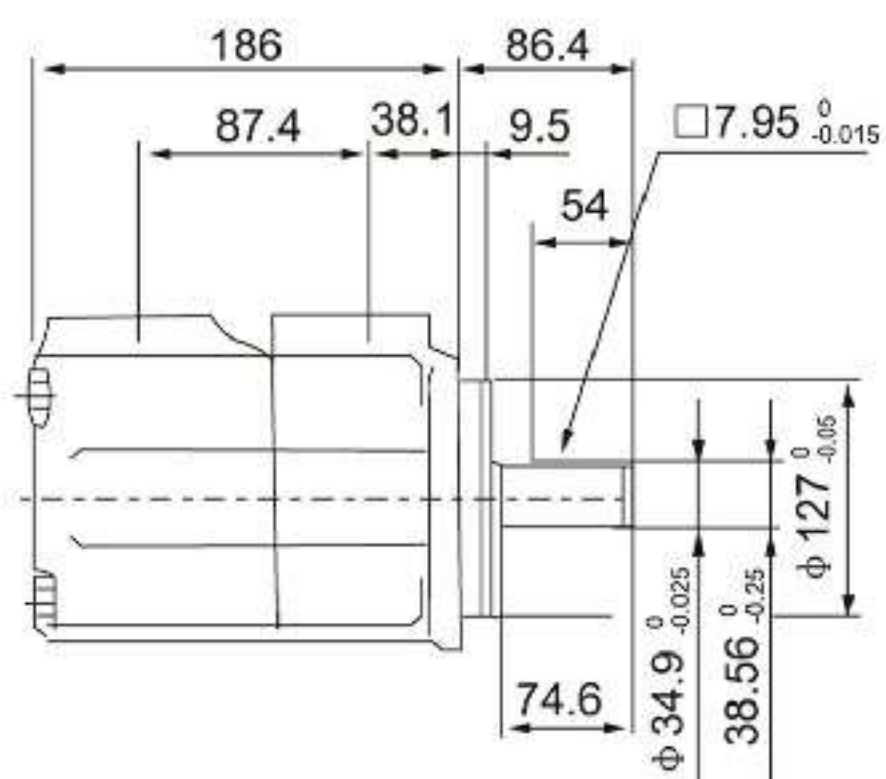
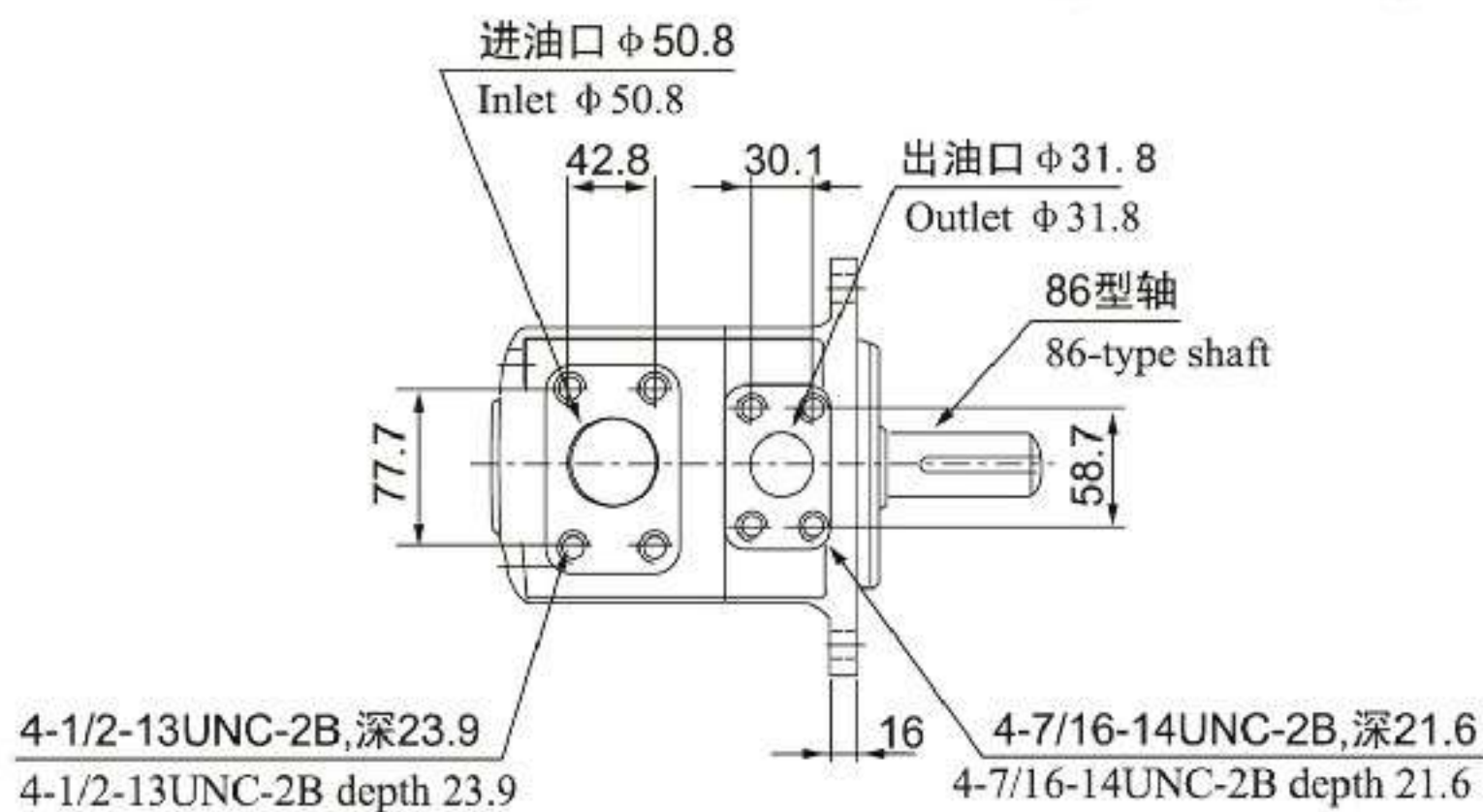
其余尺寸请参照法兰安装型
Please refer to Flange mounting for rest sizes



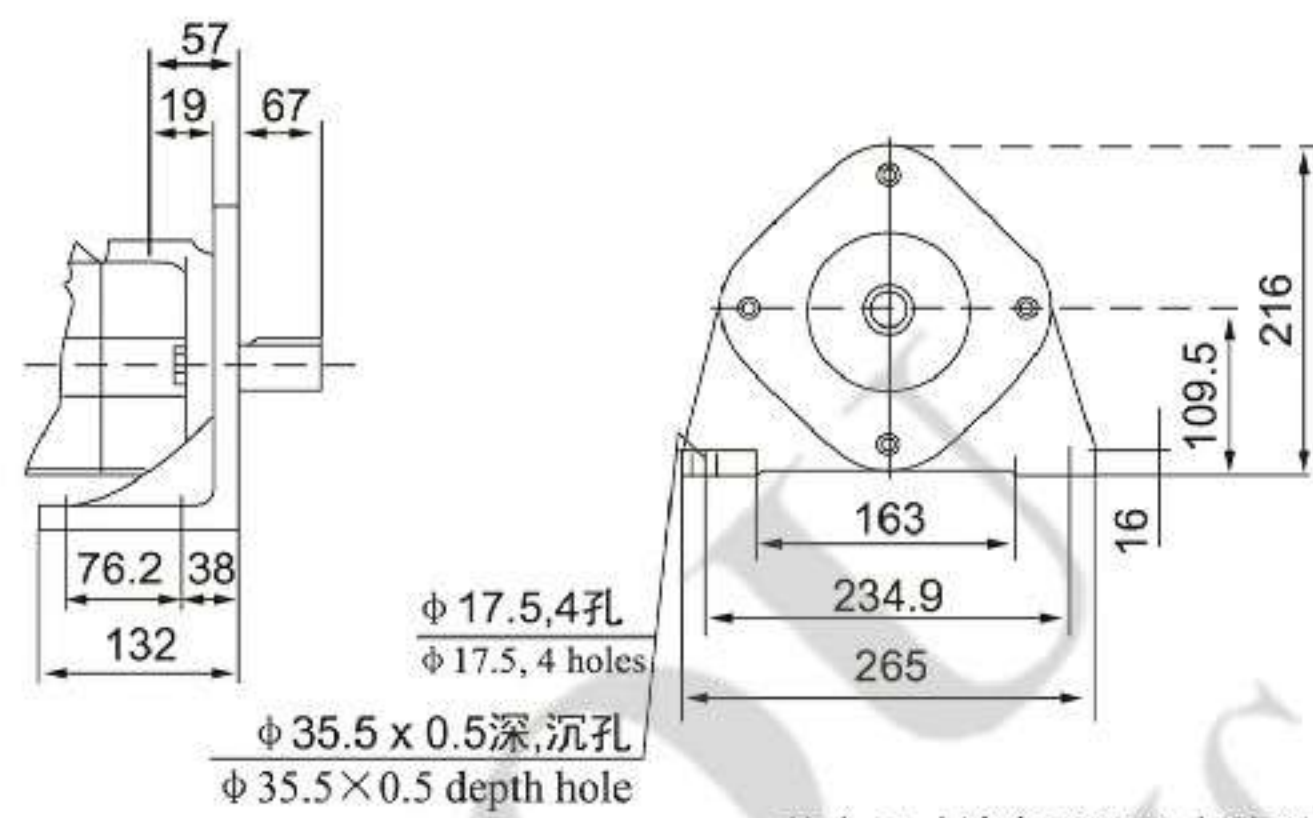
其他轴伸尺寸请参见后页
Please refer to shaft extension sizes in rear page for rest sizes

■ 安装连接尺寸 Installation Size

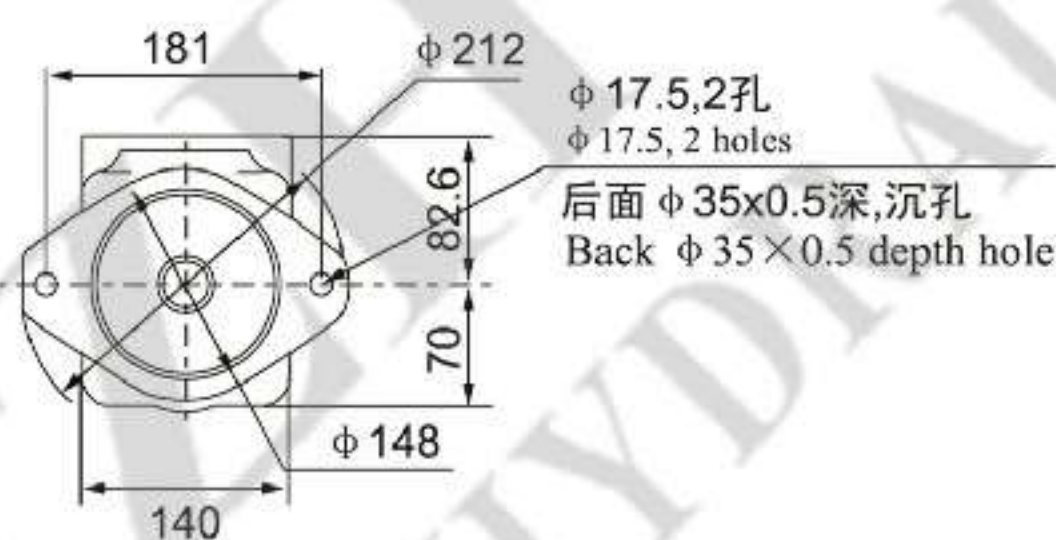
35V/VQ法兰安装 35V/VQ Flange Mounting



35V/VQ脚座安装 35V/VQ Foot Mounting

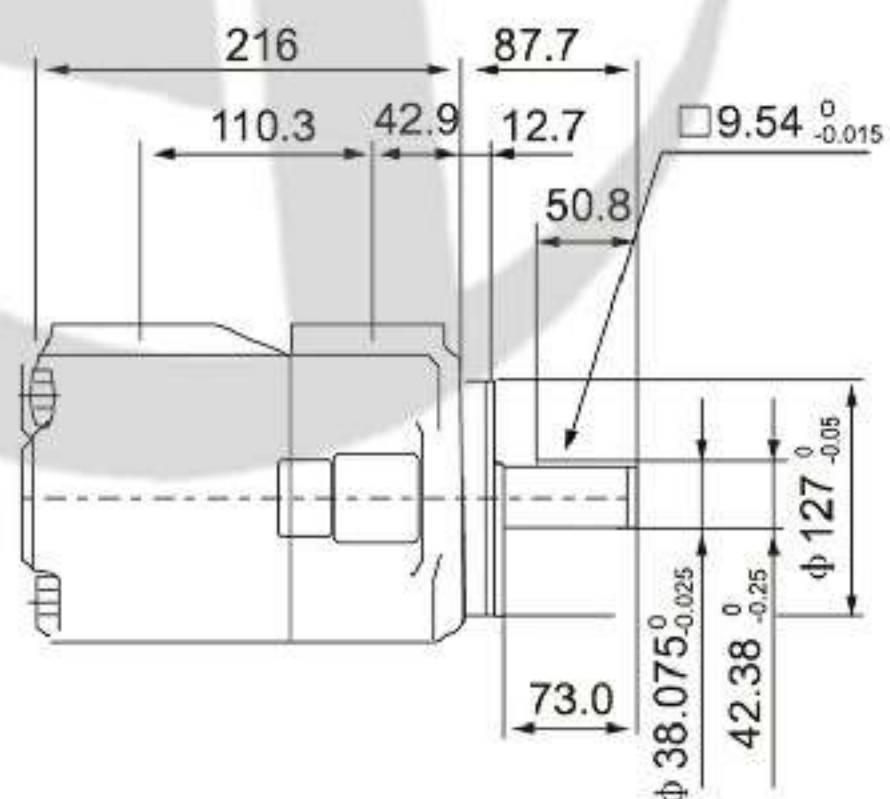
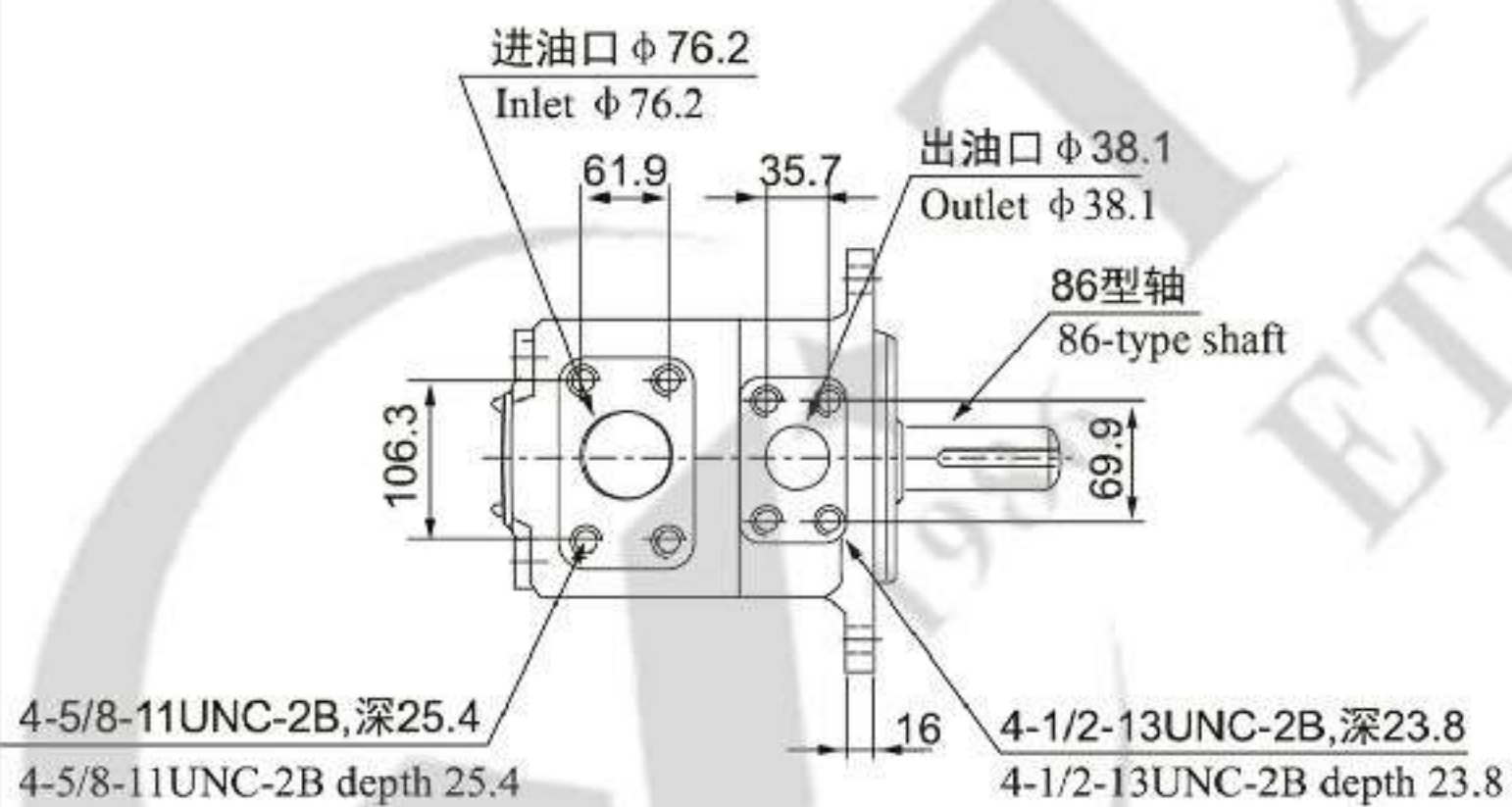


其余尺寸请参照法兰安装型
Please refer to Flange mounting for rest sizes

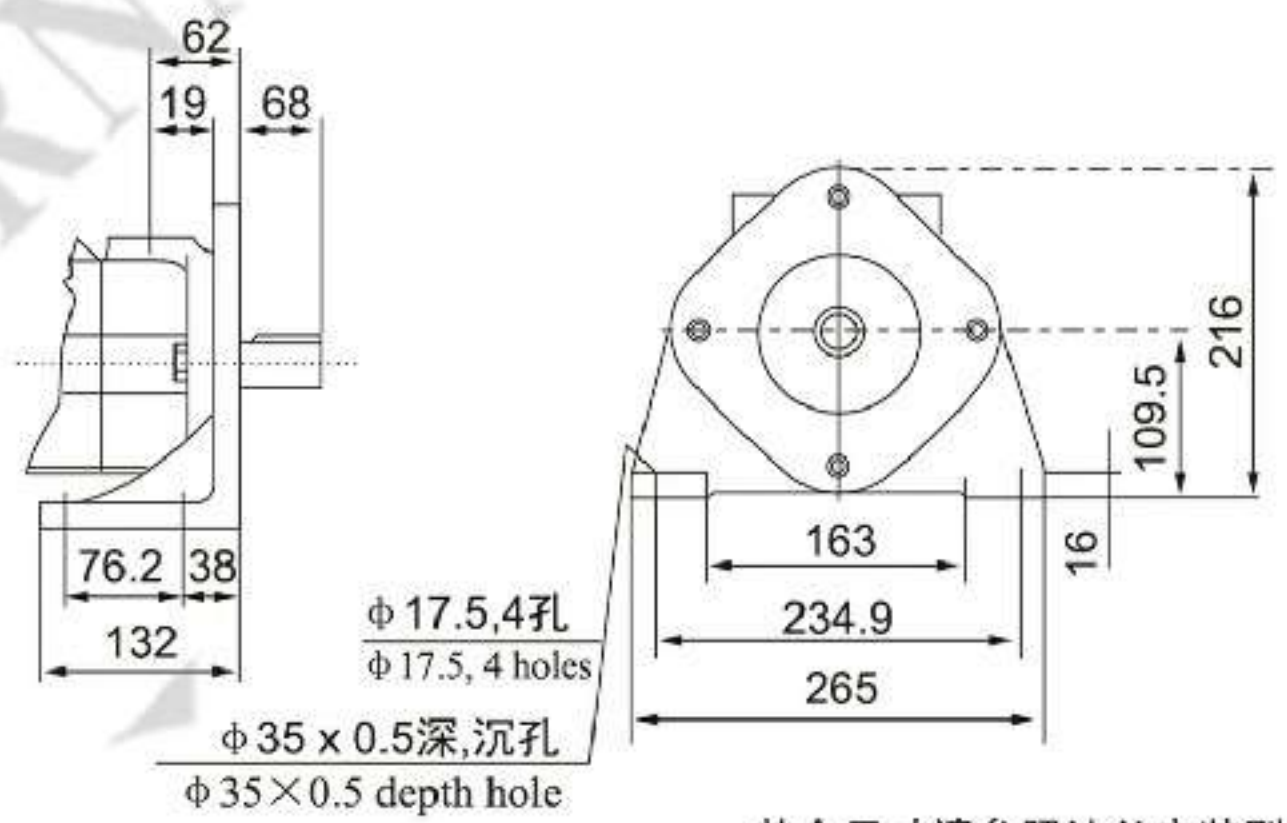


其他轴伸尺寸请参见后页
Please refer to shaft extension sizes in rear page for rest sizes

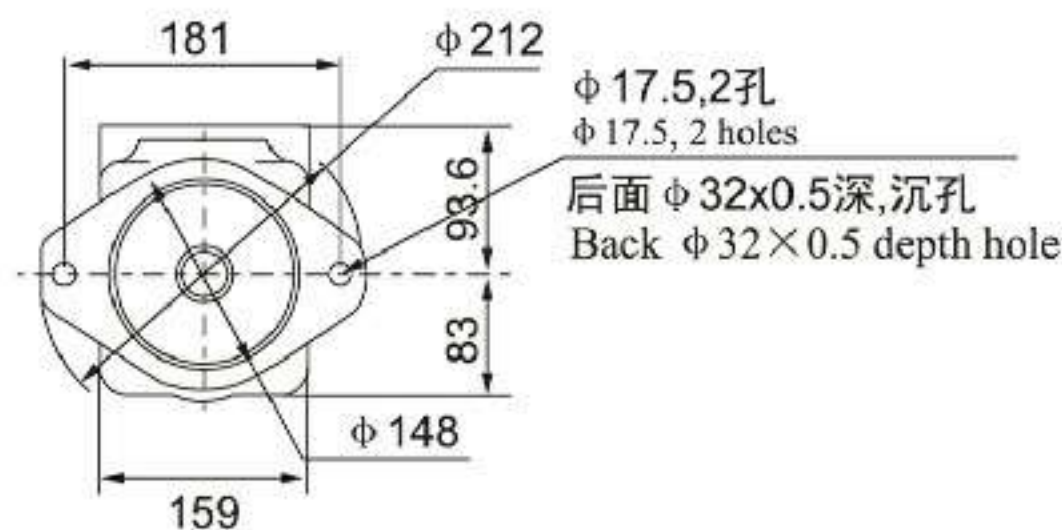
45V/VQ法兰安装 45V/VQ Flange Mounting



45V/VQ脚座安装 45V/VQ Foot Mounting



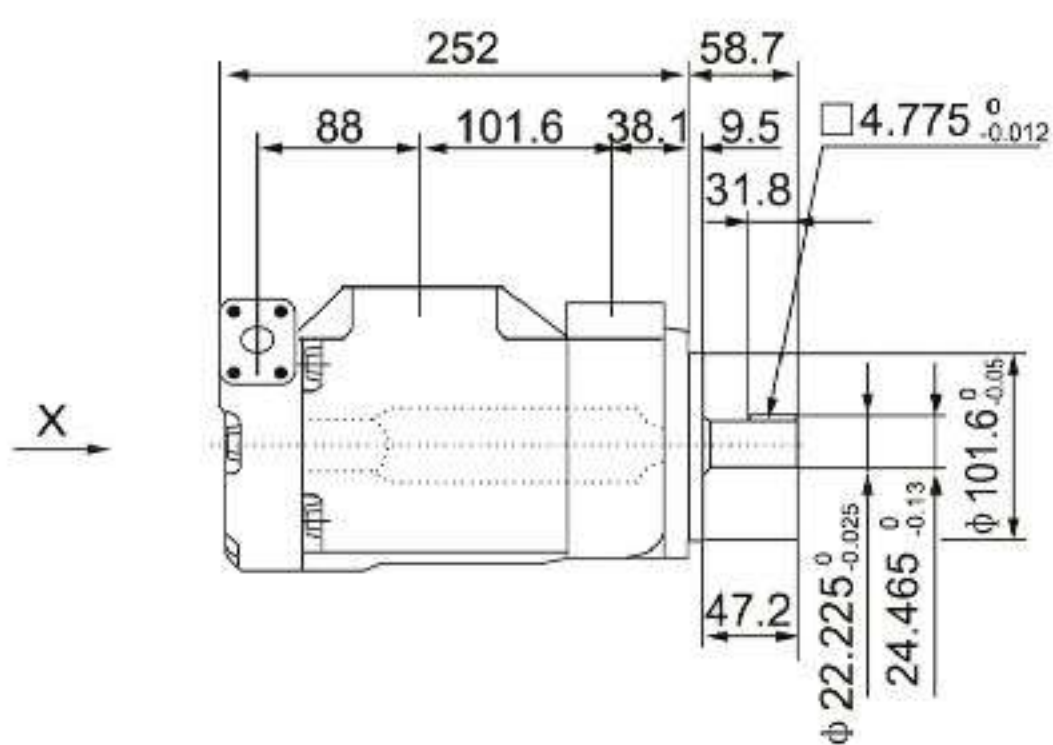
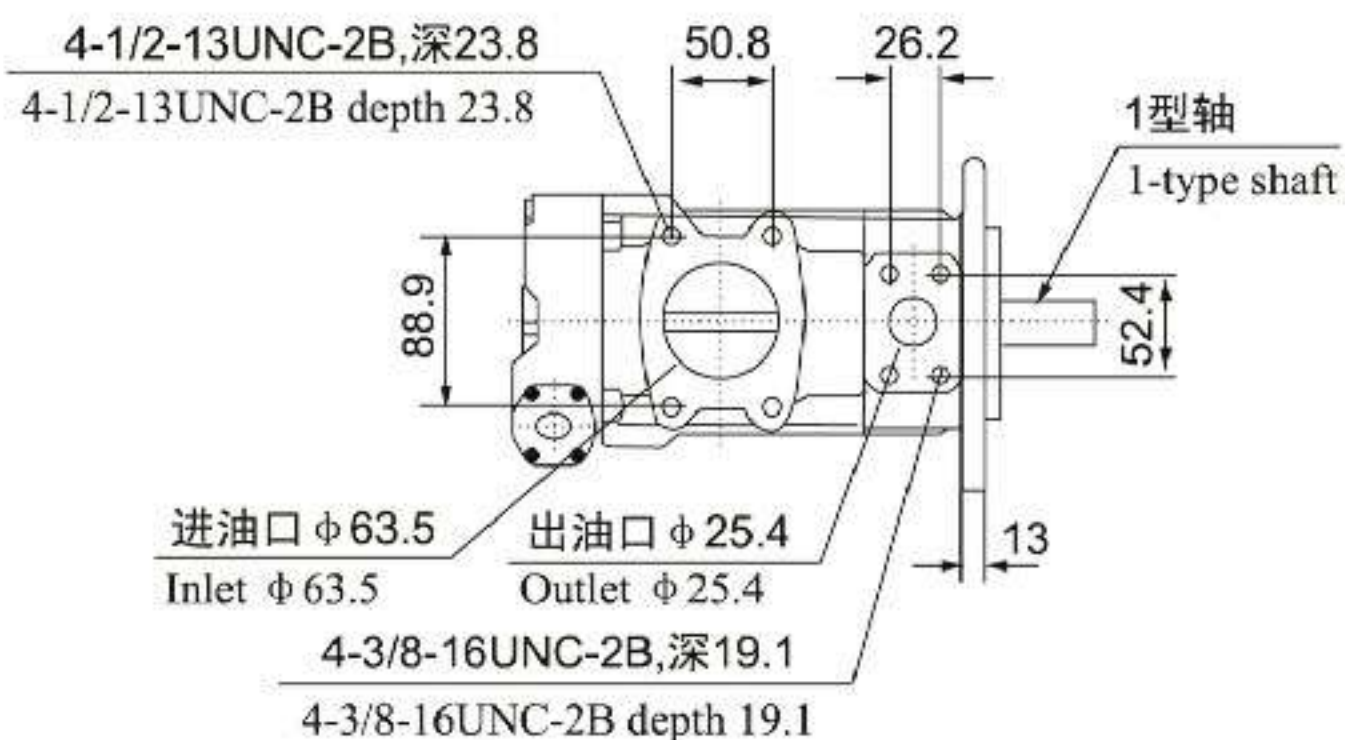
其余尺寸请参照法兰安装型
Please refer to Flange mounting for rest sizes



其他轴伸尺寸请参见后页
Please refer to shaft extension sizes in rear page for rest sizes

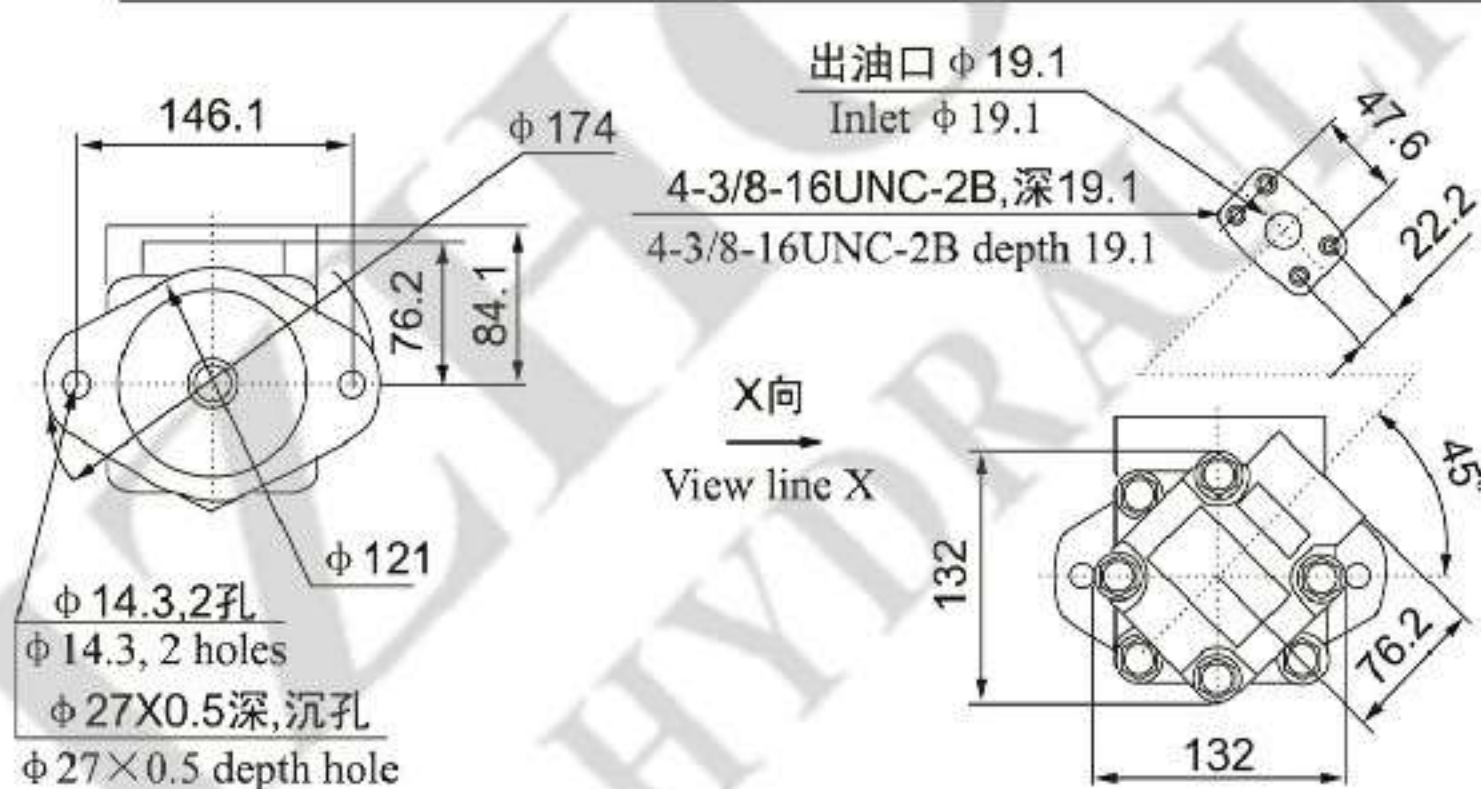
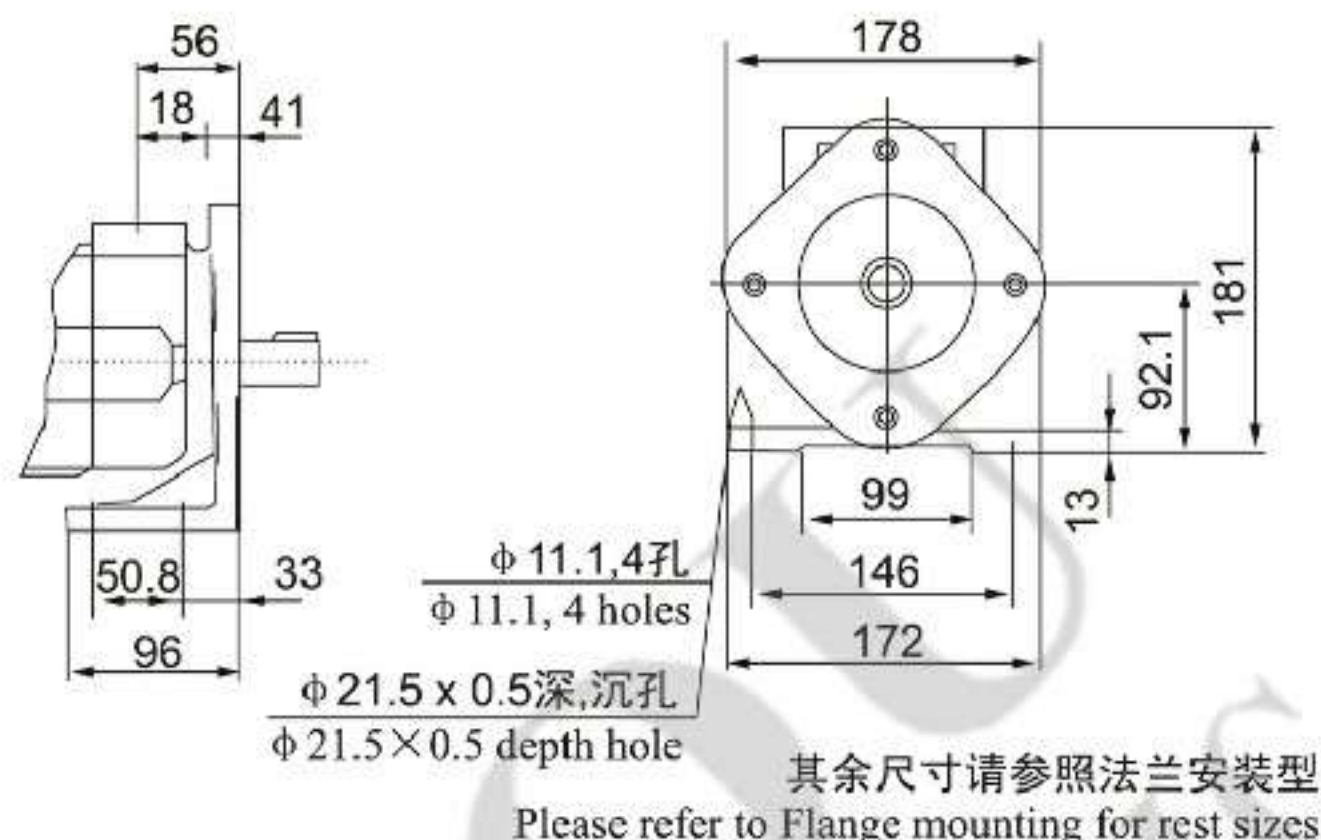
■ 安装连接尺寸 Installation Size

2520V/VQ法兰安装 2520V/VQ Flange Mounting

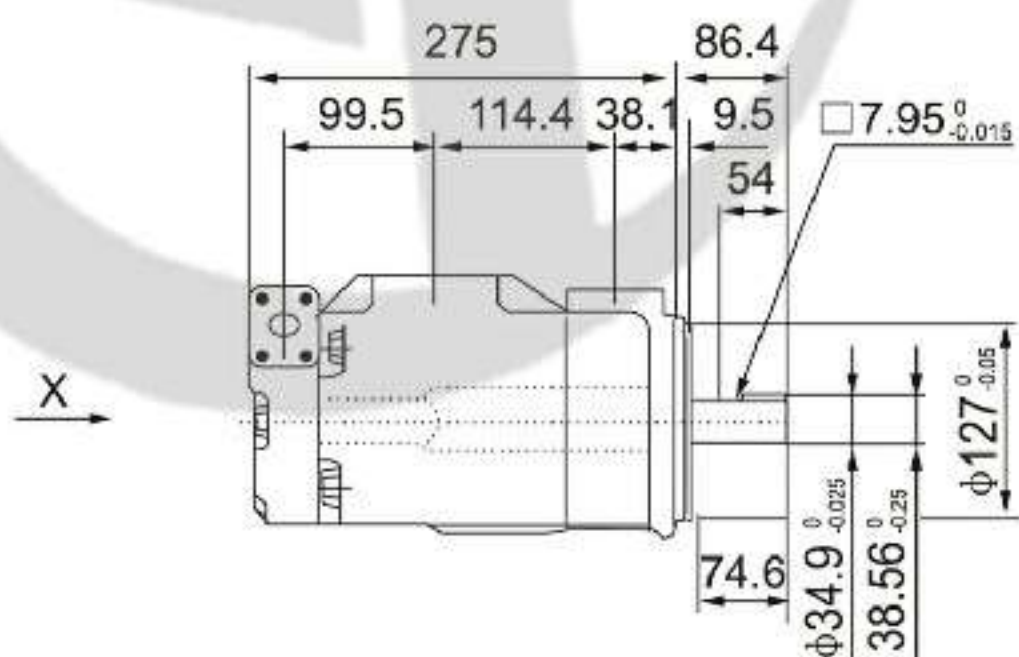
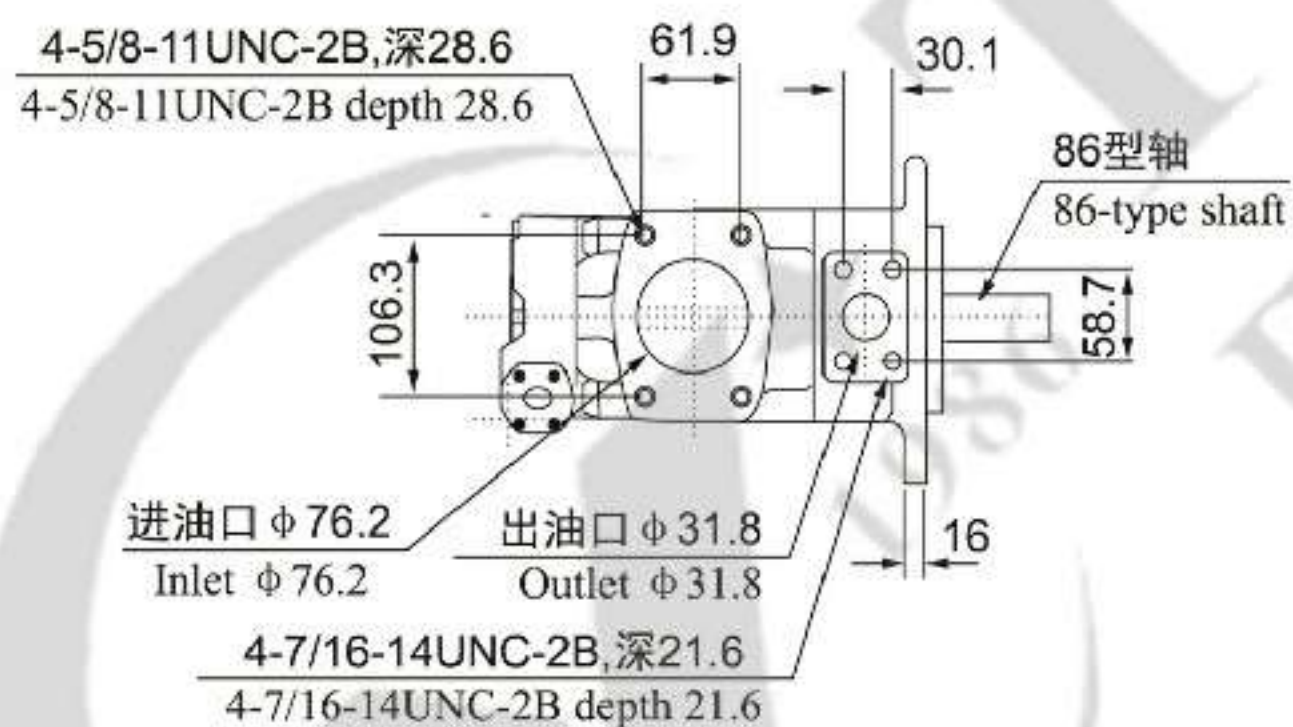


其他轴伸尺寸请参见后页
Please refer to shaft extension sizes in rear page for rest sizes

2520V/VQ脚座安装 2520V/VQ Foot Mounting

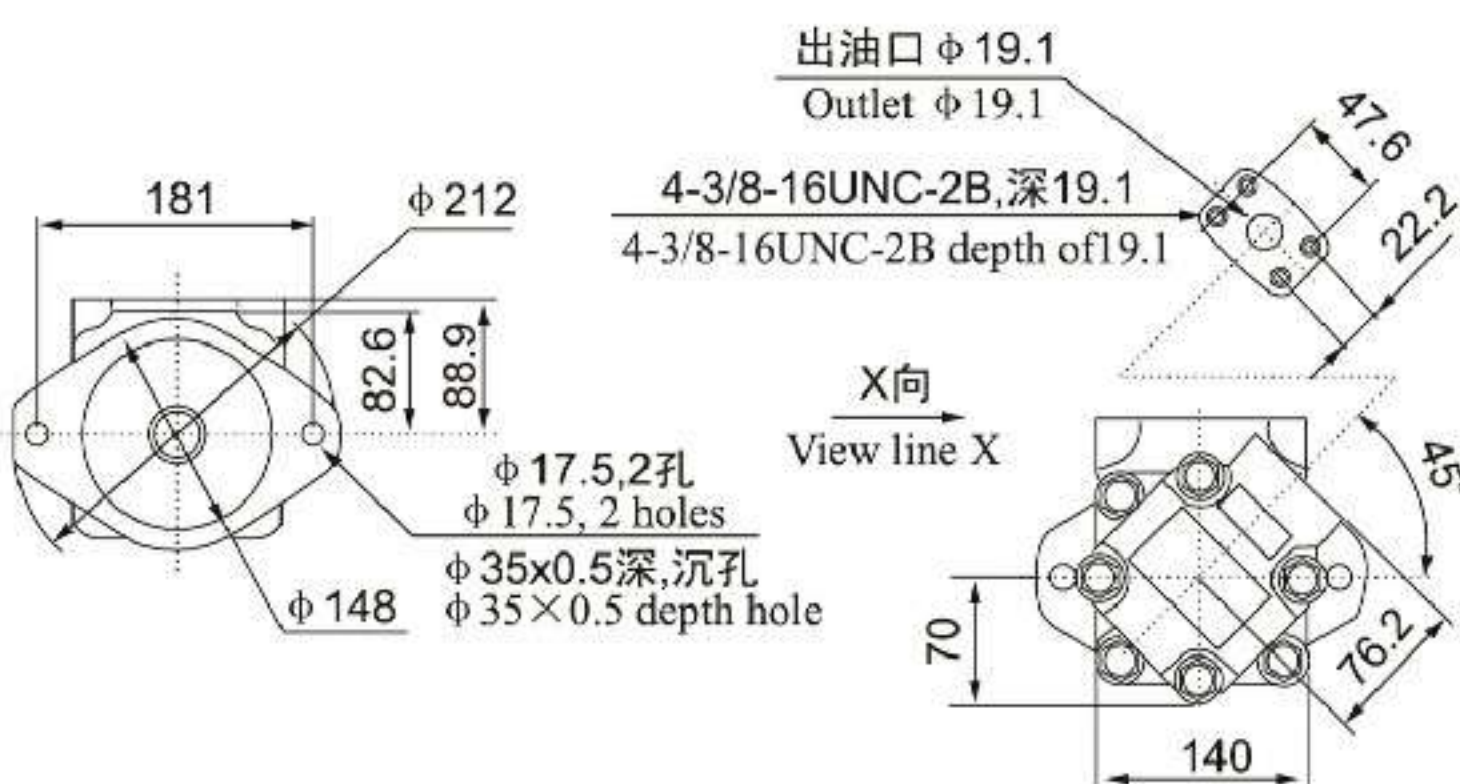
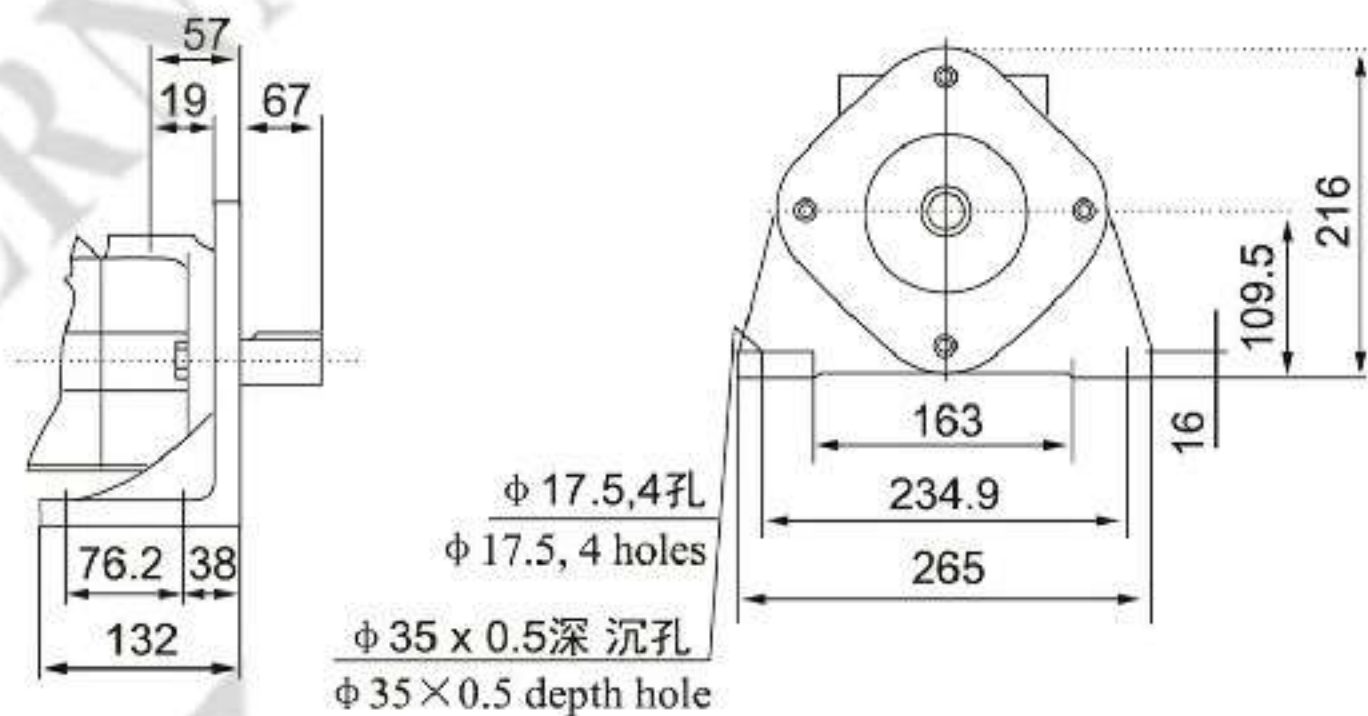


3520V/VQ法兰安装 3520V/VQ Flange Mounting



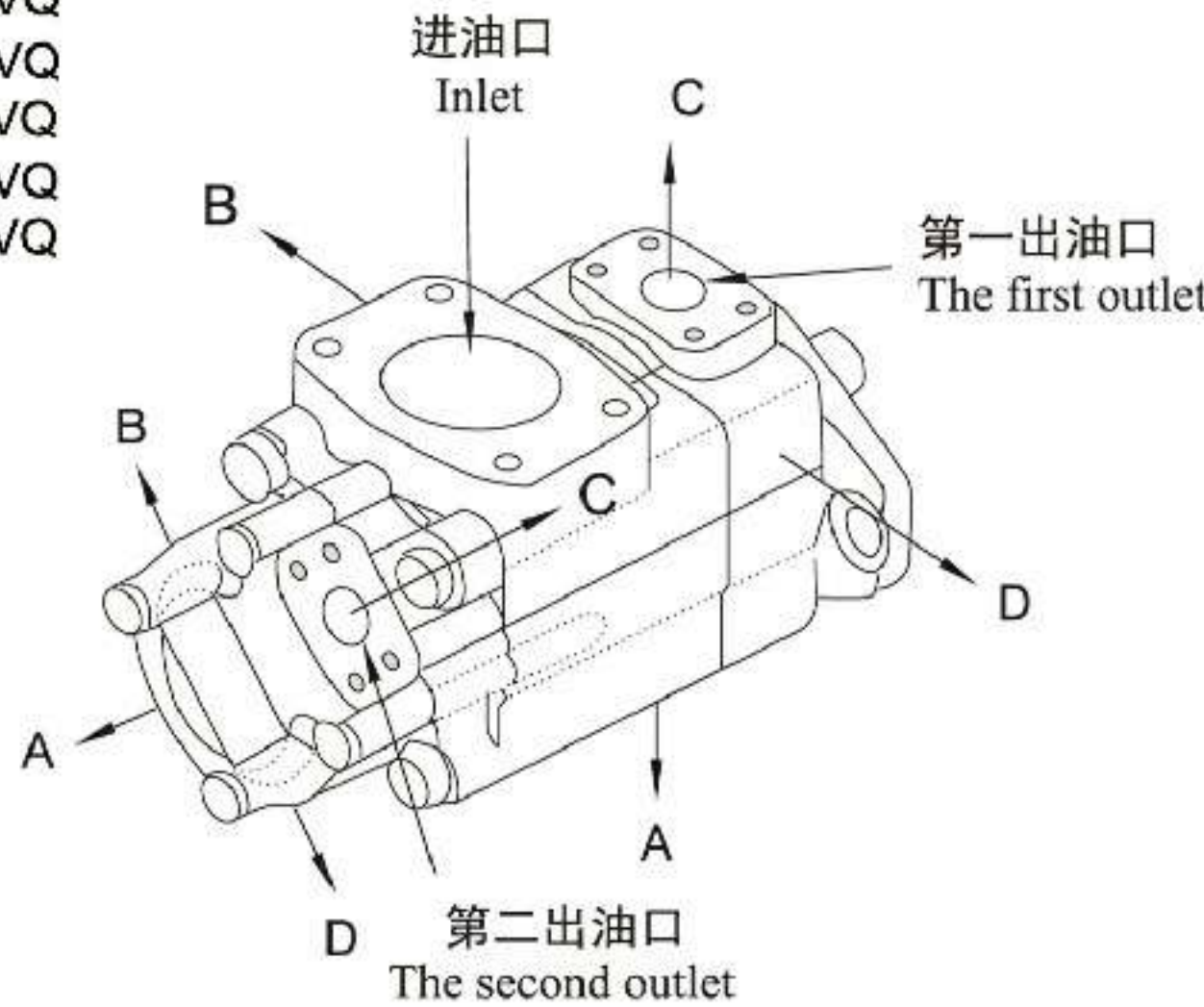
其他轴伸尺寸请参见后页
Please refer to shaft extension sizes in rear page for rest sizes

3520V/VQ脚座安装 3520V/VQ Foot Mounting

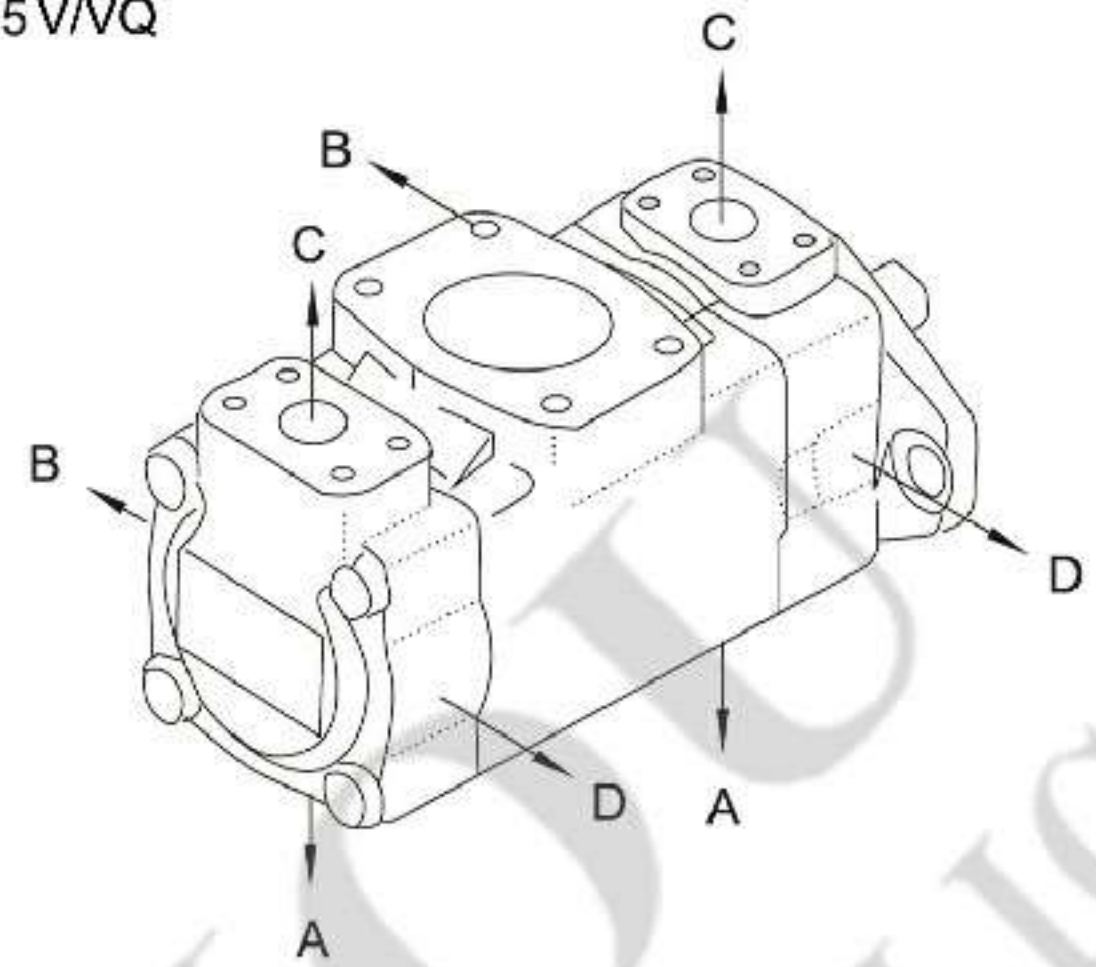


■ 油口位置表（从泵的盖端看） Pump Oil Port Position (Viewed From Cover End Pump)

- 2520V/VQ
- 3520V/VQ
- 3525V/VQ
- 4520V/VQ
- 4525V/VQ



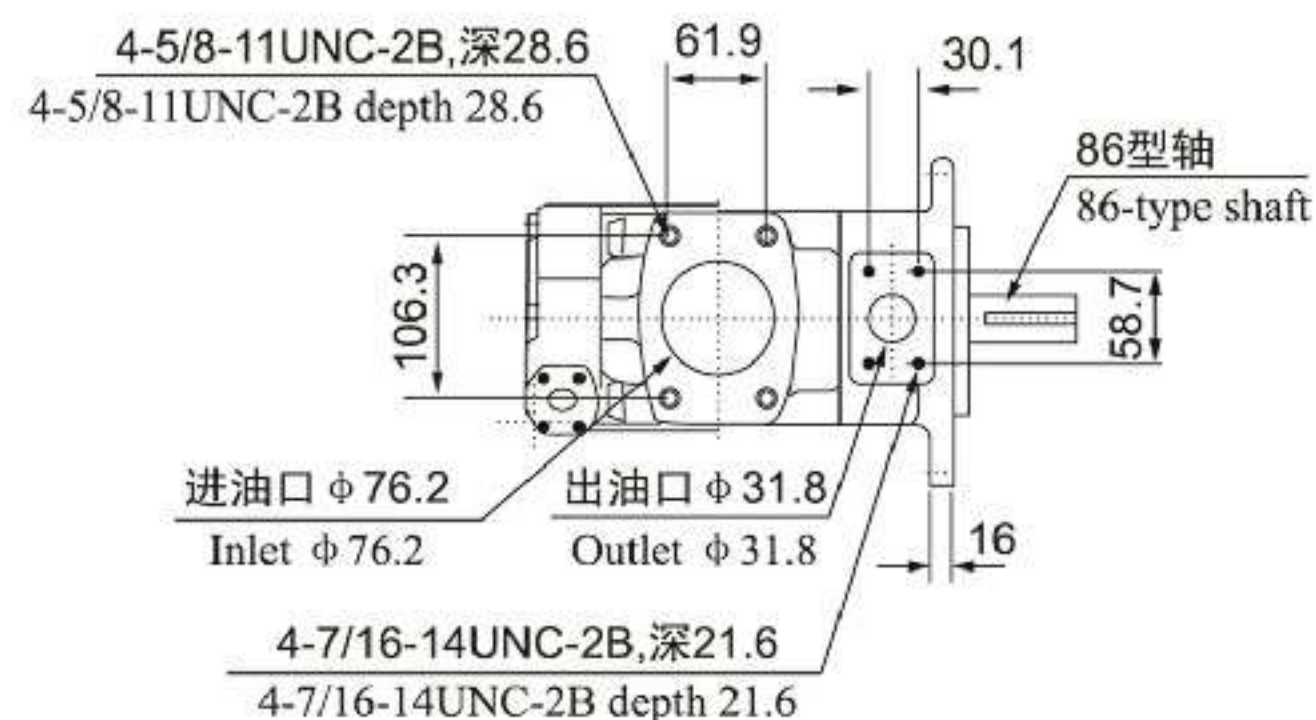
- 4535V/VQ



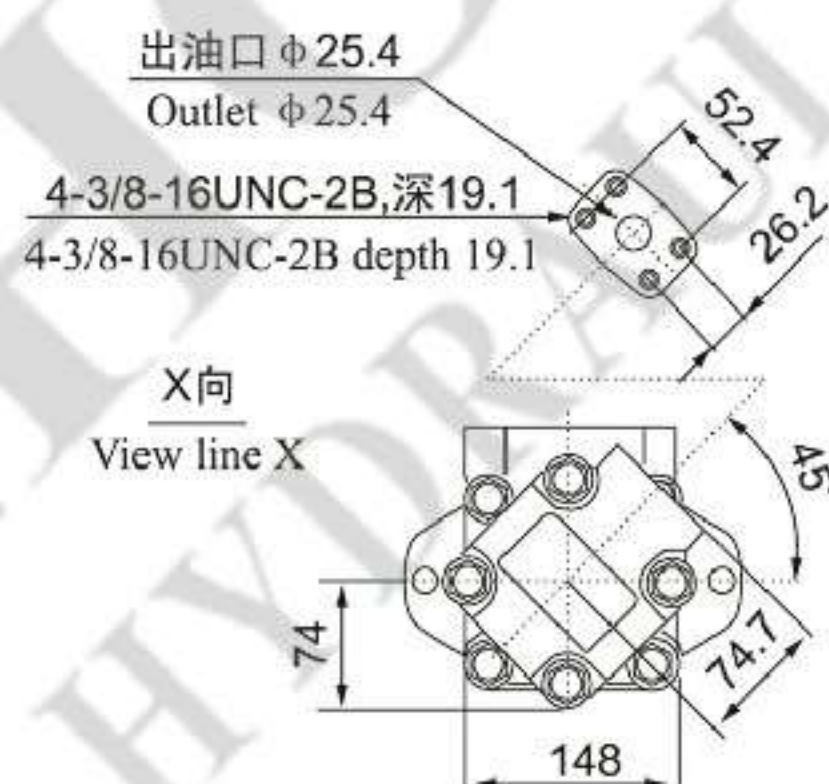
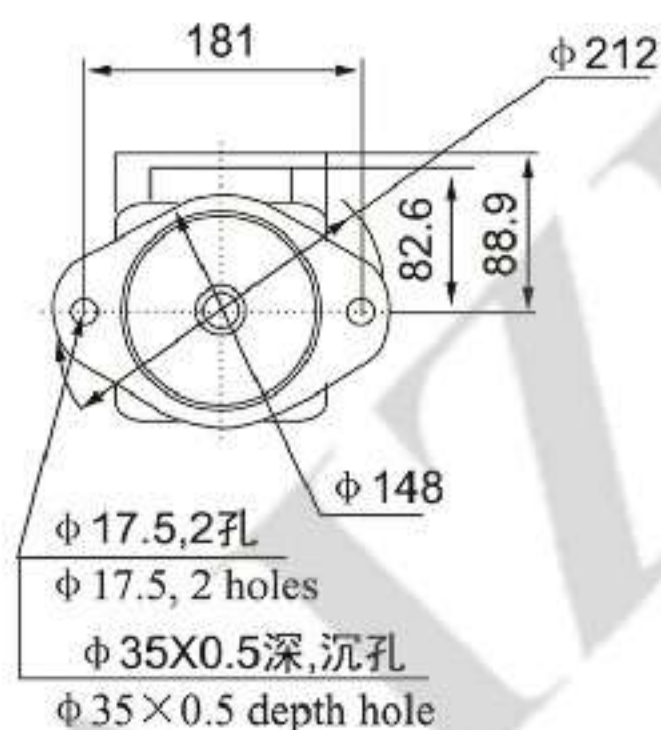
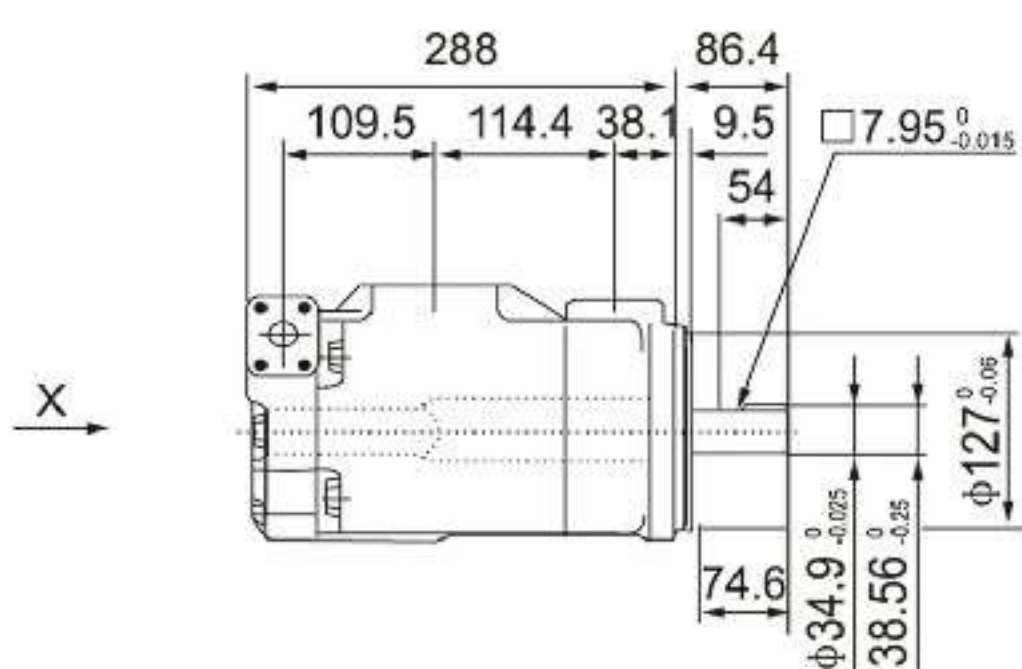
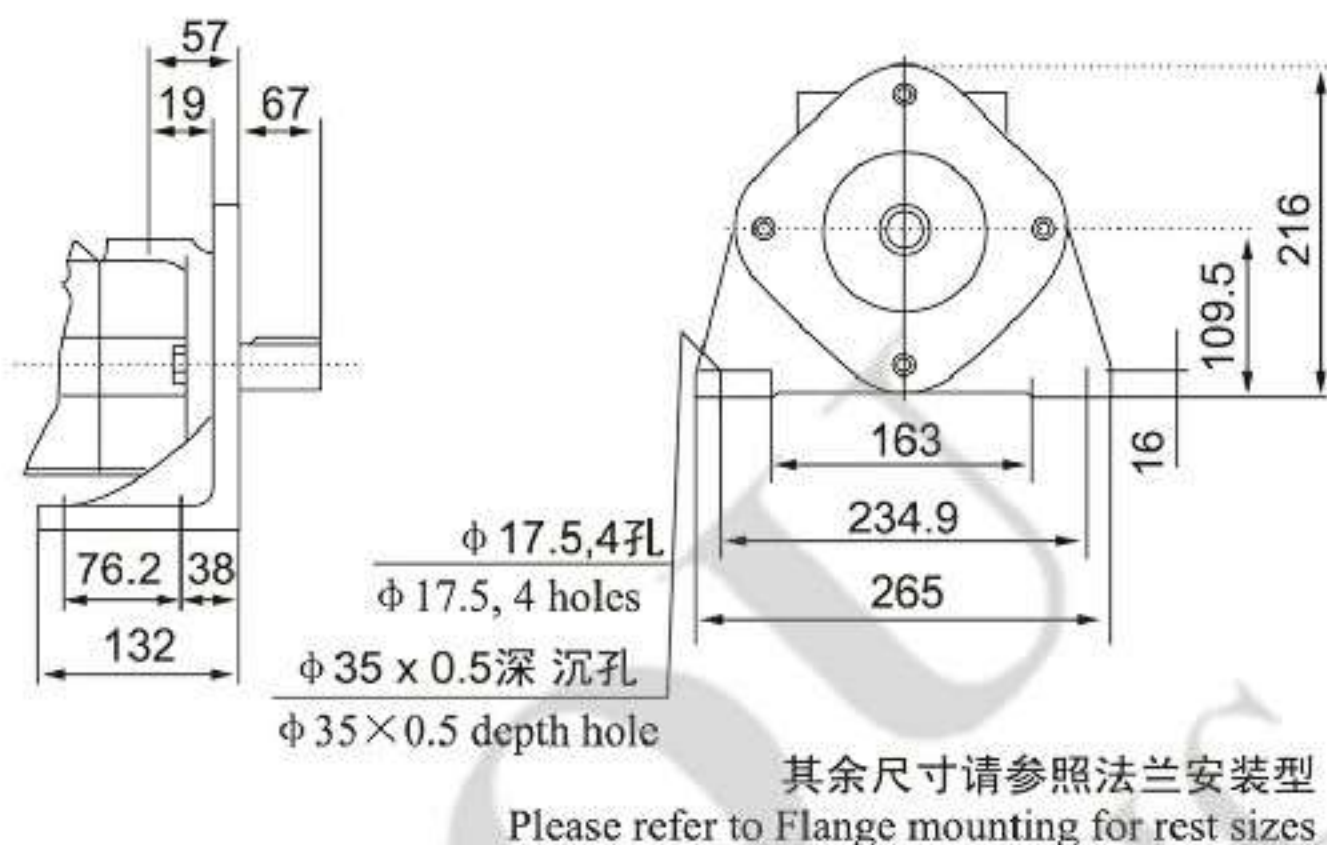
油口位置 Pump position	所有系列（除4535V/VQ外） All series (except for 4535V/VQ)	4535V/VQ
第一出油口 在进油口对侧 The first outlet is the opposition side of inlet.	AA 第二出油口在进油口逆时针转135° The second outlet is to counterclockwise rotation of 135° from inlet	第二出油口在进油口对侧 The second outlet is the opposition side of inlet.
	AB 第二出油口在进油口逆时针转45° The second outlet is to counterclockwise rotation of 45° from inlet	第二出油口在进油口逆时针转90° The second outlet is to counterclockwise rotation of 90° from inlet
	AC 第二出油口在进油口顺时针转45° The second outlet is to clockwise rotation of 45° from inlet	第二出油口在进油口同侧 The second outlet is the same side of inlet.
	AD 第二出油口在进油口顺时针转135° The second outlet is to clockwise rotation of 135° from inlet	第二出油口在进油口顺时针转90° The second outlet is to clockwise rotation of 90° from inlet
第一出油口 从进油口逆 时针转90° The first outlet is to counterclockwise rotation of 90° from inlet	BA 第二出油口在进油口逆时针转135° The second outlet is to counterclockwise rotation of 135° from inlet	第二出油口在进油口对侧 The second outlet is the opposition side of inlet.
	BB 第二出油口在进油口逆时针转45° The second outlet is to counterclockwise rotation of 45° from inlet	第二出油口在进油口逆时针转90° The second outlet is to counterclockwise rotation of 90° from inlet
	BC 第二出油口在进油口顺时针转45° The second outlet is to clockwise rotation of 45° from inlet	第二出油口在进油口同侧 The second outlet is the same side of inlet.
	BD 第二出油口在进油口顺时针转135° The second outlet is to clockwise rotation of 135° from inlet	第二出油口在进油口顺时针转90° The second outlet is to clockwise rotation of 90° from inlet
第一出油口 在进油口同侧 The first outlet is the same side of inlet.	CA 第二出油口在进油口逆时针转135° The second outlet is to counterclockwise rotation of 135° from inlet	第二出油口在进油口对侧 The second outlet is the opposition side of inlet.
	CB 第二出油口在进油口逆时针转45° The second outlet is to counterclockwise rotation of 45° from inlet	第二出油口在进油口逆时针转90° The second outlet is to counterclockwise rotation of 90° from inlet
	CC 第二出油口在进油口顺时针转45° The second outlet is to clockwise rotation of 45° from inlet	第二出油口在进油口同侧 The second outlet is the same side of inlet.
	CD 第二出油口在进油口顺时针转135° The second outlet is to clockwise rotation of 135° from inlet	第二出油口在进油口顺时针转90° The second outlet is to clockwise rotation of 90° from inlet
第一出油口 从进油口顺 时针转90° The first outlet is to clockwise rotation of 90° from inlet	DA 第二出油口在进油口逆时针转135° The second outlet is to counterclockwise rotation of 135° from inlet	第二出油口在进油口对侧 The second outlet is the opposition side of inlet.
	DB 第二出油口在进油口逆时针转45° The second outlet is to counterclockwise rotation of 45° from inlet	第二出油口在进油口逆时针转90° The second outlet is to counterclockwise rotation of 90° from inlet
	DC 第二出油口在进油口顺时针转45° The second outlet is to clockwise rotation of 45° from inlet	第二出油口在进油口同侧 The second outlet is the same side of inlet.
	DD 第二出油口在进油口顺时针转135° The second outlet is to clockwise rotation of 135° from inlet	第二出油口在进油口顺时针转90° The second outlet is to clockwise rotation of 90° from inlet

■ 安装连接尺寸 Installation Size

3525V/VQ法兰安装 3525V/VQ Flange Mounting

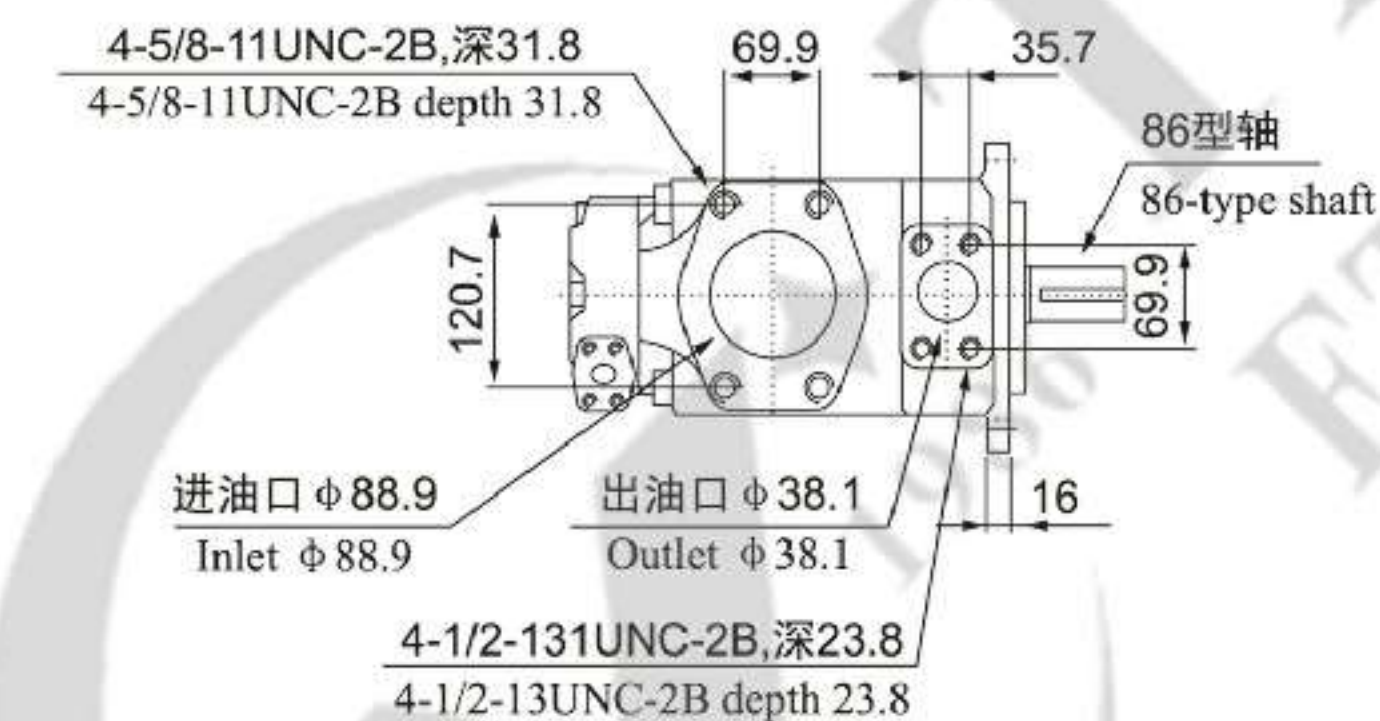


3525V/VQ脚座安装 3525V/VQ Foot Mounting

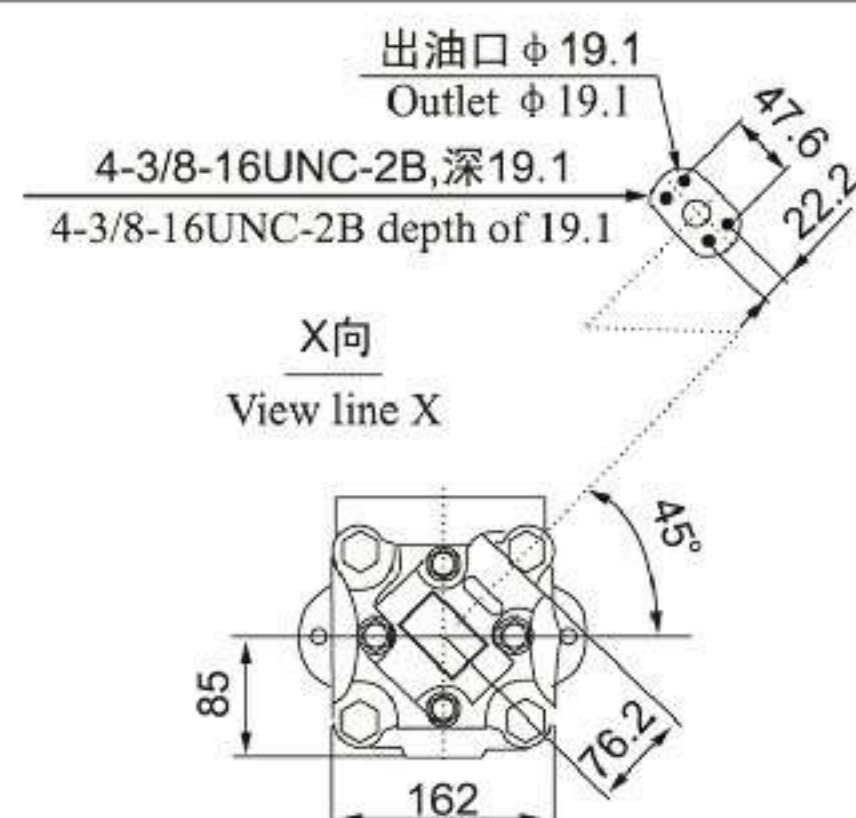
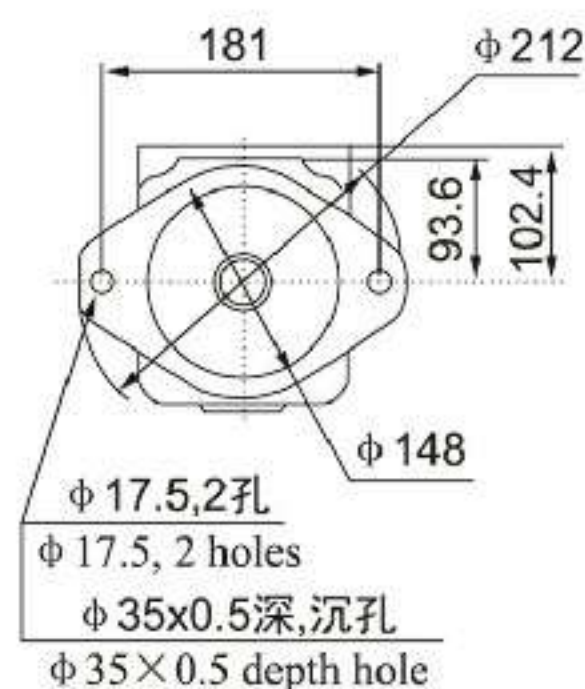
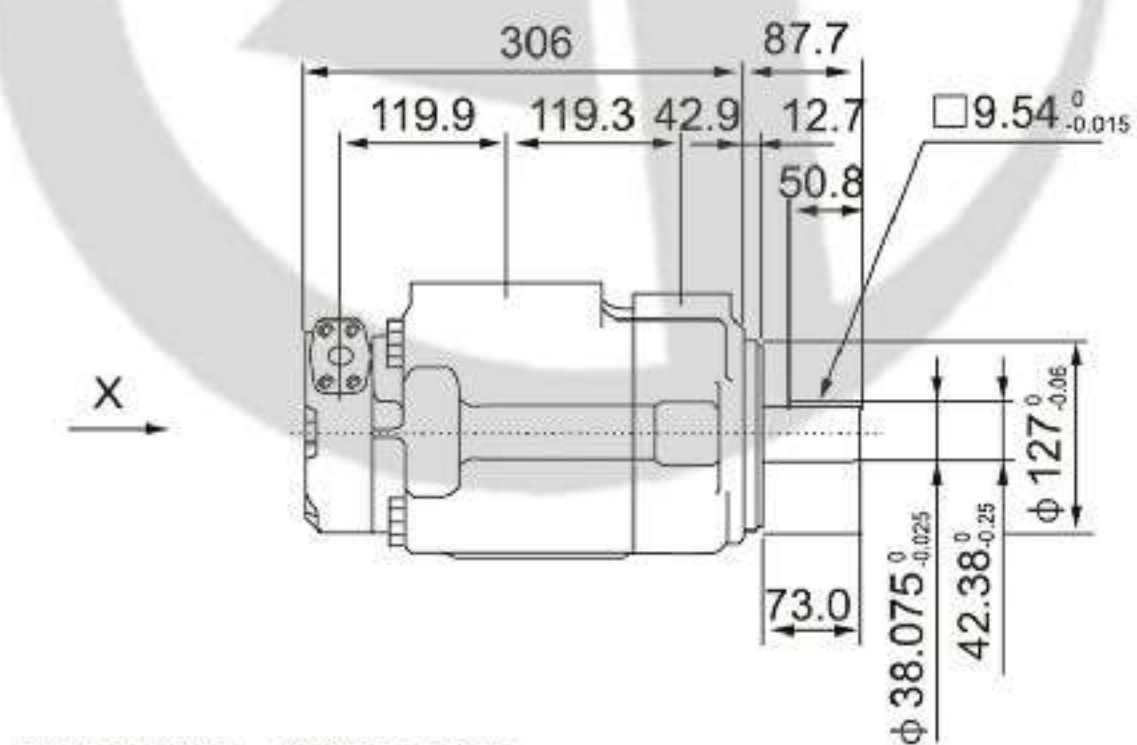
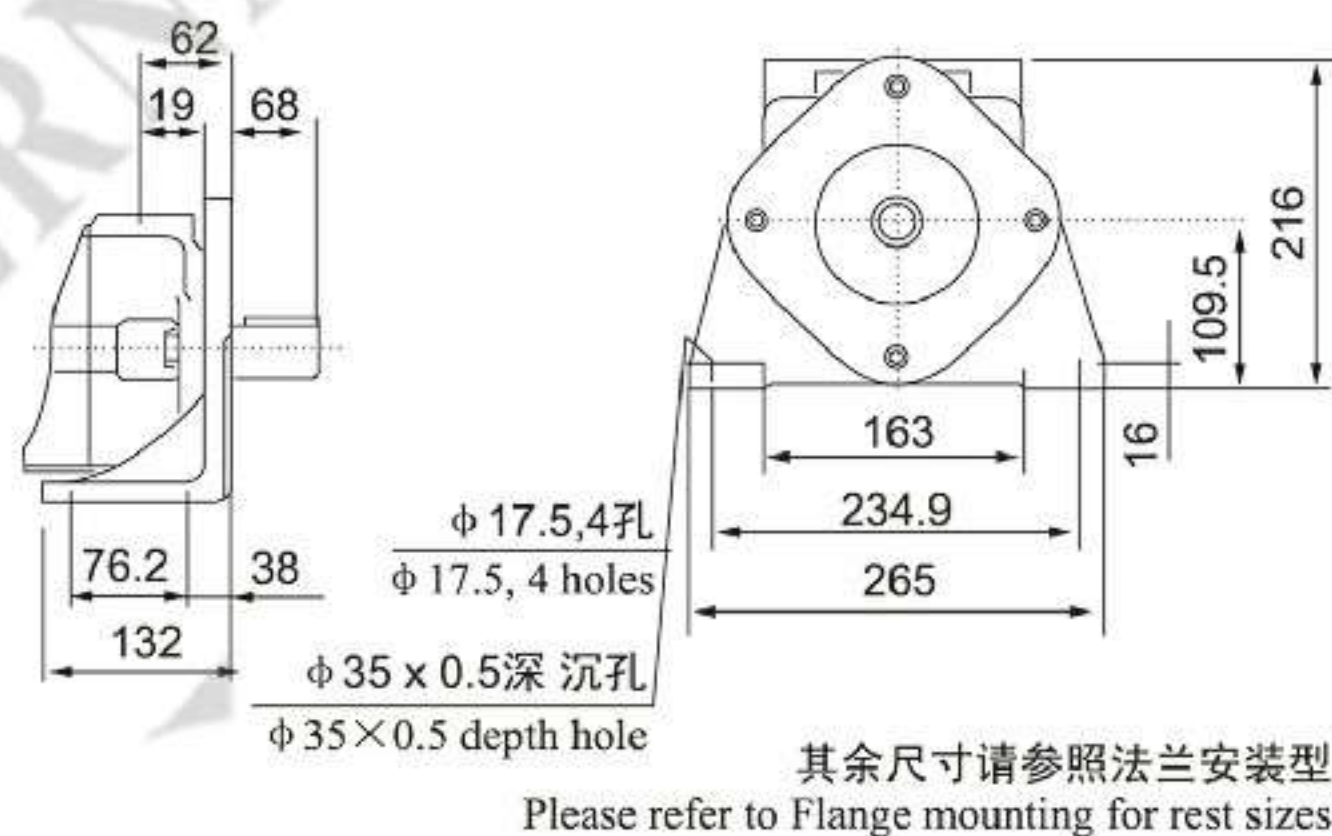


其它轴伸尺寸请参见53页
Please refer to shaft extension sizes in page 53 for rest sizes

4520V/VQ法兰安装 4520V/VQ Flange Mounting



3525V/VQ脚座安装 3525V/VQ Foot Mounting

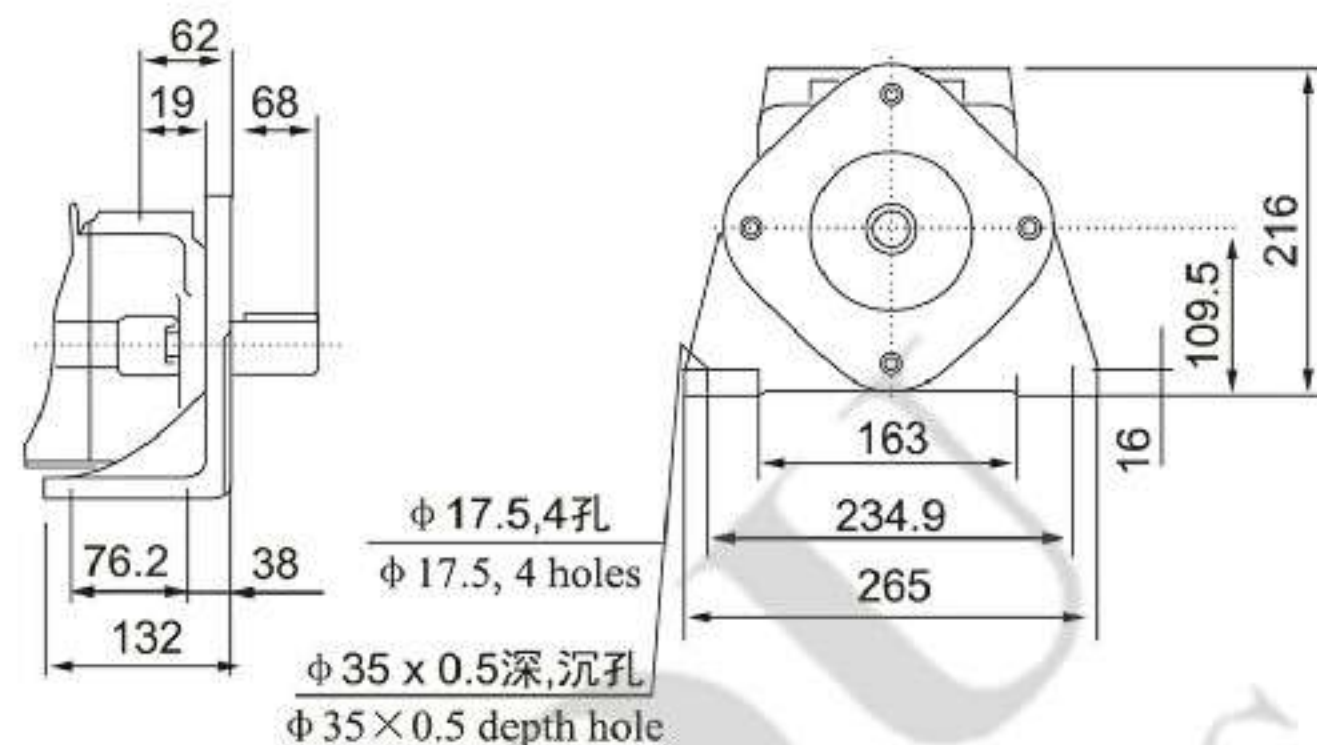
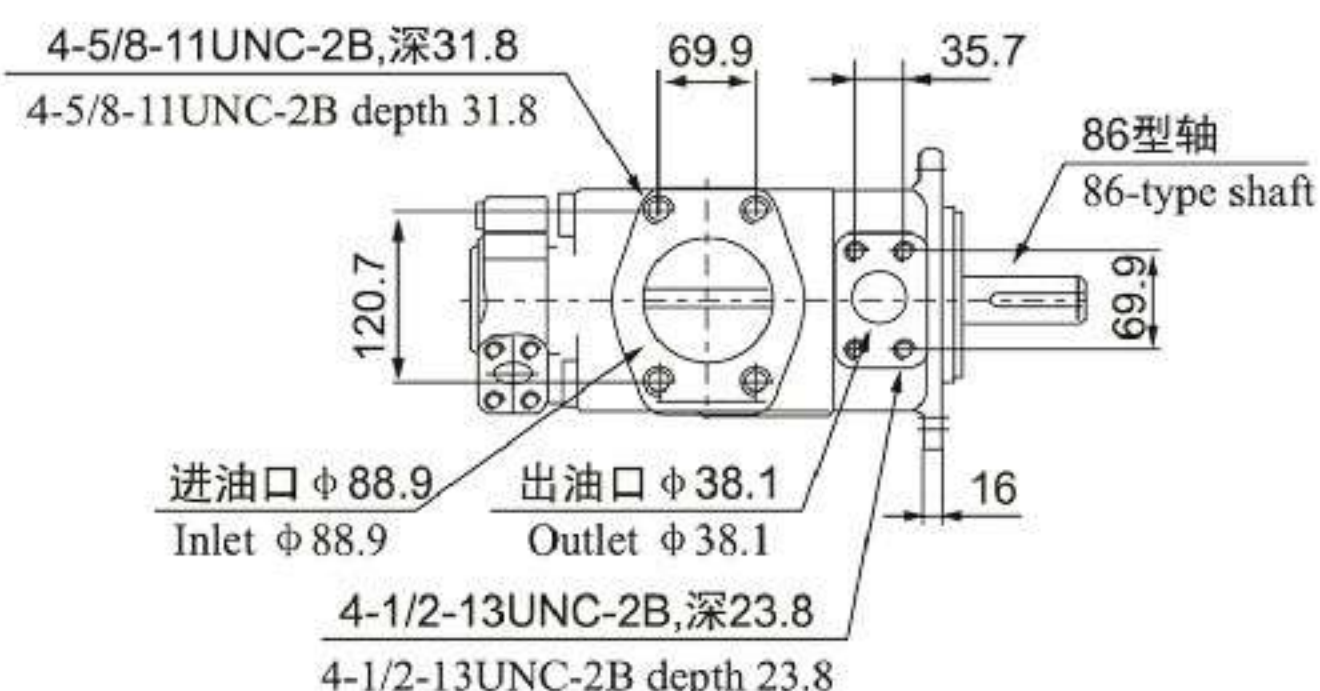


其它轴伸尺寸请参见53页
Please refer to shaft extension sizes in page 53 for rest sizes

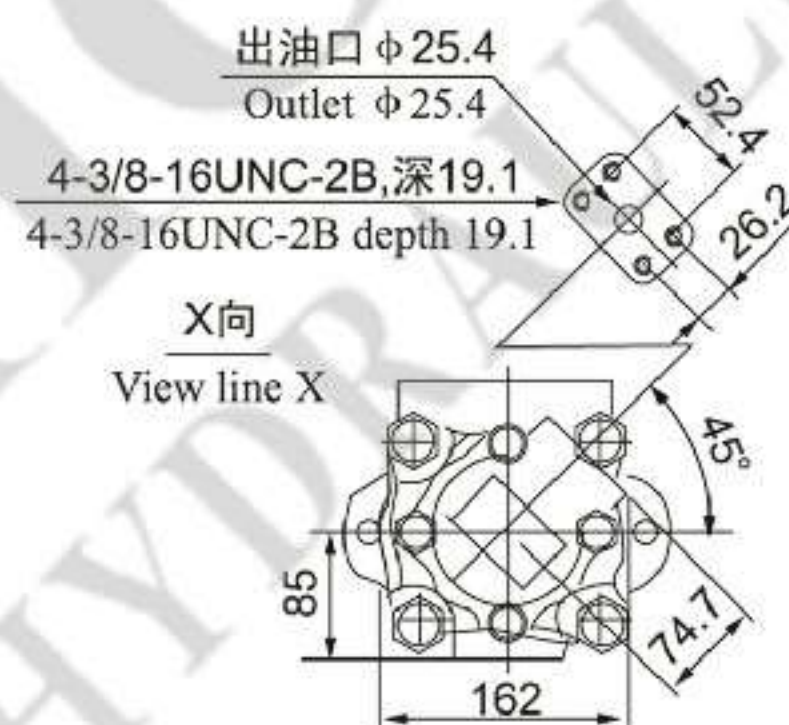
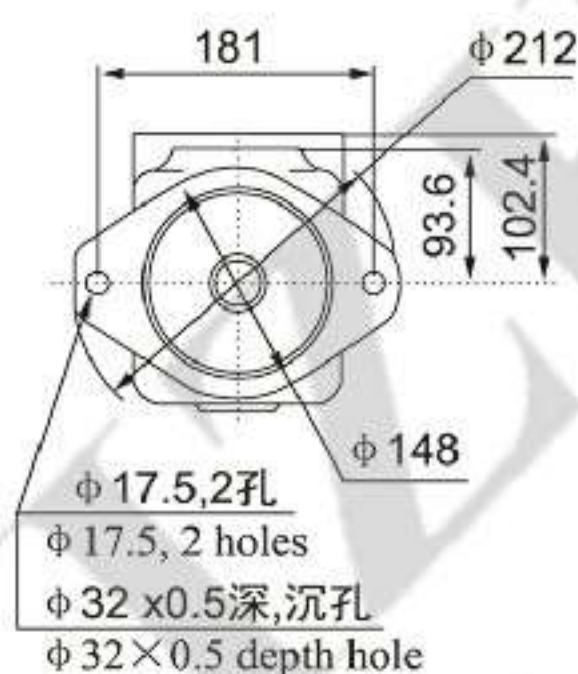
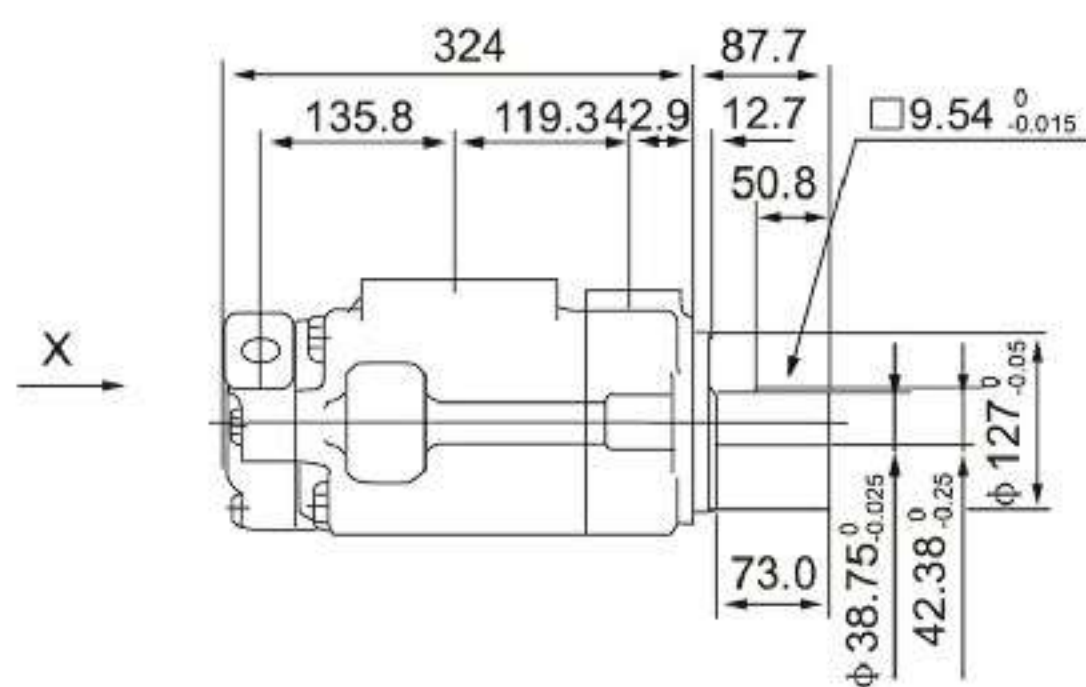
■ 安装连接尺寸 Installation Size

4525V/VQ法兰安装 4525V/VQ Flange Mounting

4525V/VQ脚座安装 4525V/VQ Foot Mounting



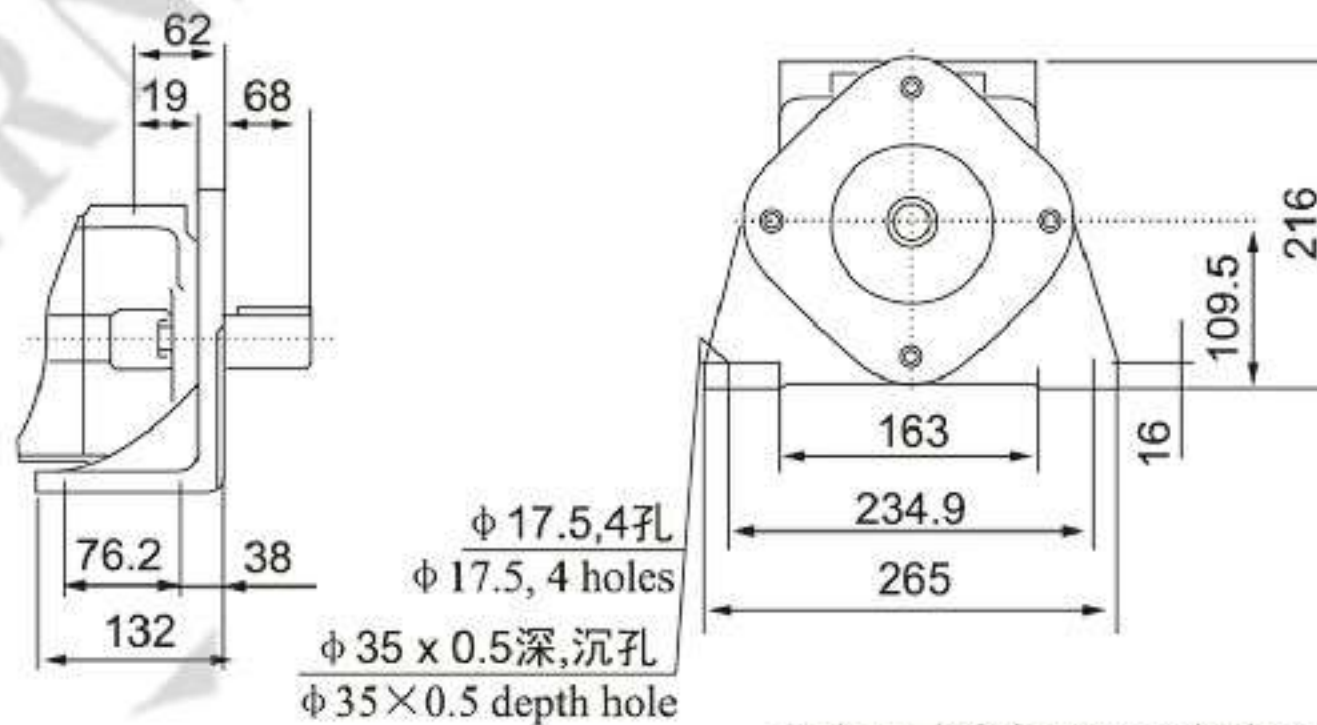
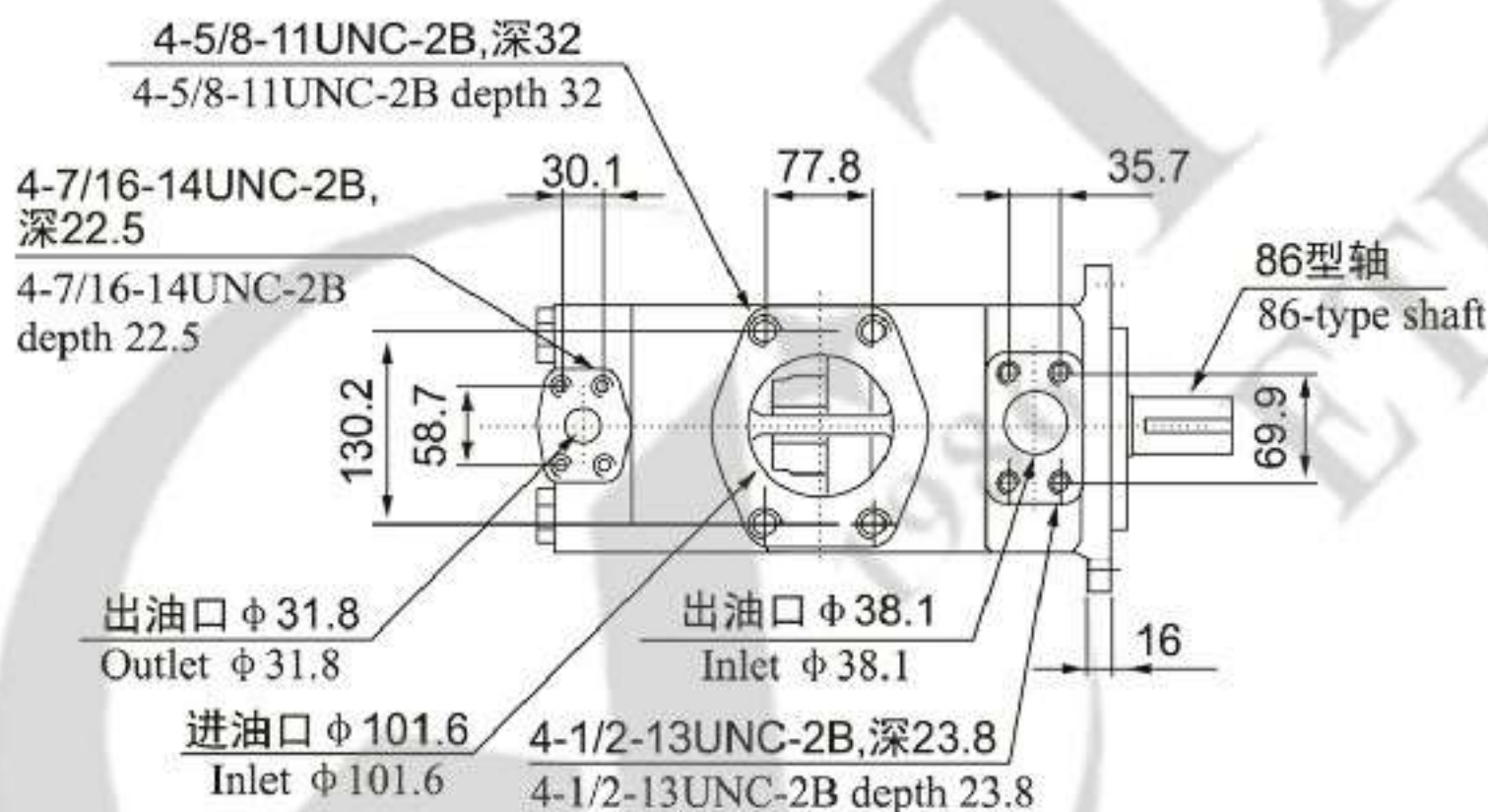
其余尺寸请参照法兰安装型
Please refer to Flange mounting for rest sizes



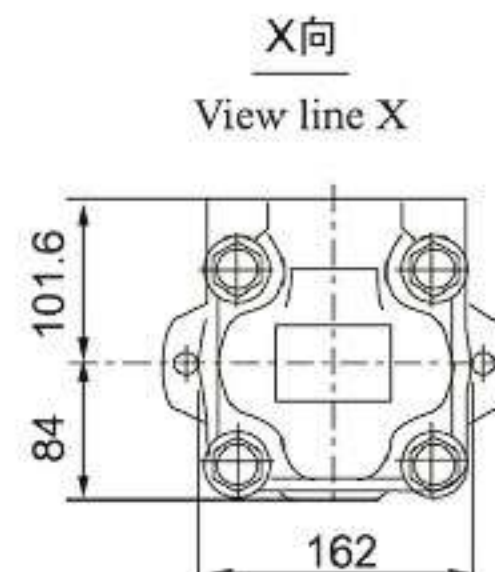
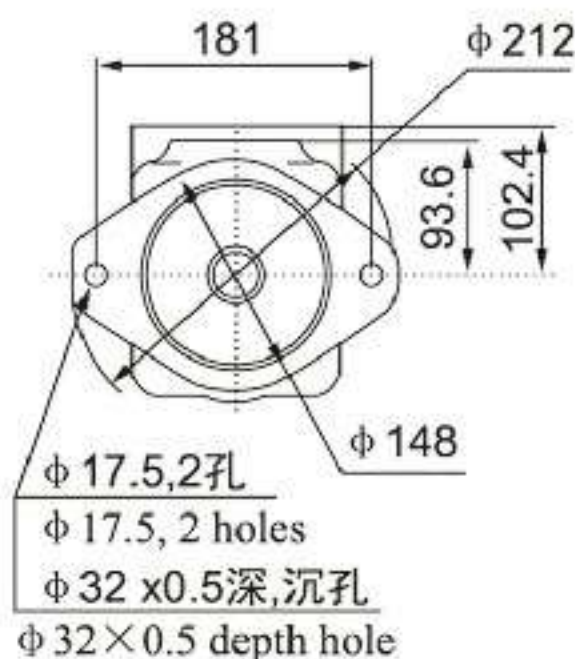
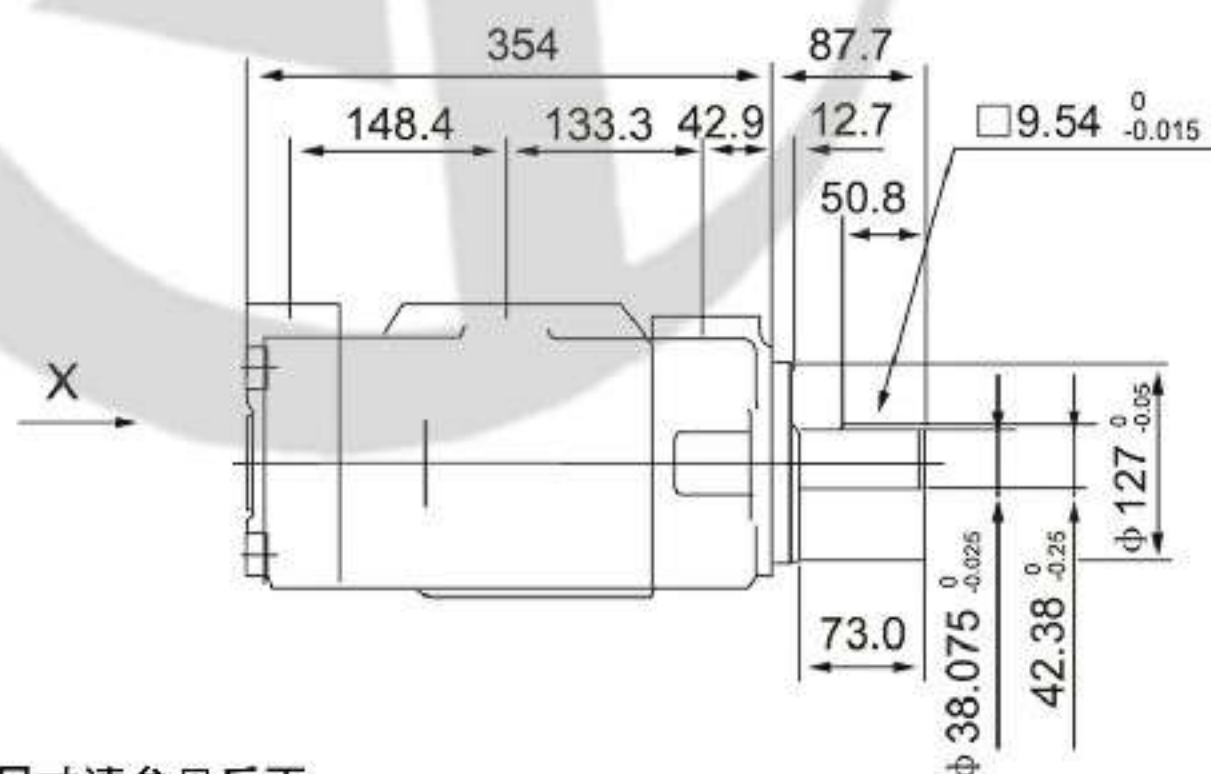
其他轴伸尺寸请参见后页
Please refer to shaft extension sizes in rear page for rest sizes

4535V/VQ法兰安装 4535V/VQ Flange Mounting

4535V/VQ脚座安装 4535V/VQ Foot Mounting



其余尺寸请参照法兰安装型
Please refer to Flange mounting for rest sizes



其他轴伸尺寸请参见后页
Please refer to shaft extension sizes in rear page for rest sizes

■ V/VQ/SQP系列泵芯 V/VQ/SQP Series Cartridge kit

(F3-)	PC-	20VQ	-5	-R	-10
前注 Front marks	泵芯标记 Pump core marks	系列号 Models	▲排量代号 Displacement code	旋转方向 Direction of rotation	设计号 Designing No.
无标记: 丁腈橡胶 No mark: Nitrile rubber	PC-单泵泵芯 & 双联泵前泵芯 PC-Single Pump kit & Double Vane pump front kit	20V 20VQ SQP1	2,3,4,5,6,7,8,9,10,11,12,14	(从泵的轴端看) (from shaft end pump) L-逆时针旋转 L-counterclockwise rotation R-顺时针旋转 R-clockwise rotation	10
F3: 氟橡胶 F3: Fluoro rubber	PCT-双联泵后泵芯 PCT-Double vane pump rear kit	25V 25VQ SQP2	10,12,14,15,17,19,21		
		35V 35VQ SQP3	21,25,30,32,35,38,45		
		45V 45VQ SQP4	42,45,50,57,60,66,75		

■ 安装连接尺寸 Installation Size



系列号 Models	A	B	C	D	E	F	G	H	K	M (挡圈) M (ring)	N(O型圈) (内径×线径) N (O type ring) (Inner diameter×lead wire diameter)
20V/VQ SQP1	82.5	81.5	70.1	47	61.5	4.8	76.2	6	73.6	82.76×76.26×3.5	40×3.5
25V/VQ SQP2	96.8	98.8	87	52.2	71.2	4.8	90.5	5	88.19	97×91×3.5	44×3.53
35V/VQ SQP3	114.3	117.7	105	72.2	90.3	6.4	108	6	103.94	114.5×108.5×3.5	63.09×3.53
45V/VQ SQP4	133.35	141.1	129.6	80.2	105.5	6.4	127	10	133.35	133.6×127.6×3.5	71×3.55

系列号 Models	转子内花键齿廓参数 Spline teeth No. in rotor				
	模数 Modulus	齿数 No. of teeth	标准压力角 Standard angle	大径 Major diameter	小径 Minor diameter
20V/VQ SQP1	48/96	30	45°	16.617	15.56
25V/VQ SQP2	48/96	40	45°	21.9	20.86
35V/VQ SQP3	40/80	37	45°	24.38	23.1
45V/VQ SQP4	12/24	14	30°	32.59	27.60