

产品特点/ Product Feature

ZP300系列传动装置是本公司引进意大利专门为泵车、船舶、起重运输机械、港口、矿山、冶金和其他工程机械开发的传动装置，它采用液压马达、制动器、多级减速器、输出轴和液压控制系统分体设计的思路，具有标准化和通配性好、结构紧凑、扭矩大、体积小、体重轻、安装方便、工作可靠性高的特点。

ZP300 series of transmission device is the introduction of Italy specifically for pump trucks, ships, heavy transport machinery, port, mining, metallurgy and other engineering machinery development of transmission device, which uses the idea of hydraulic motor, brake, the multistage reduction gear, output shaft and a hydraulic control system designed, with standardized and the characteristics of distribution, compact structure, high torque, small volume, light weight, convenient installation, reliability high.

产品标识说明/ Ordering Code



型号举例/ Example of Model

ZP300L2A28.9ZB表示ZP300系列回转减速机，该回转减速机采用二级行星齿轮传动，输出轴为渐开线外花键，齿轮箱传动比为传动比为28.9，带制动器，配摆线马达。

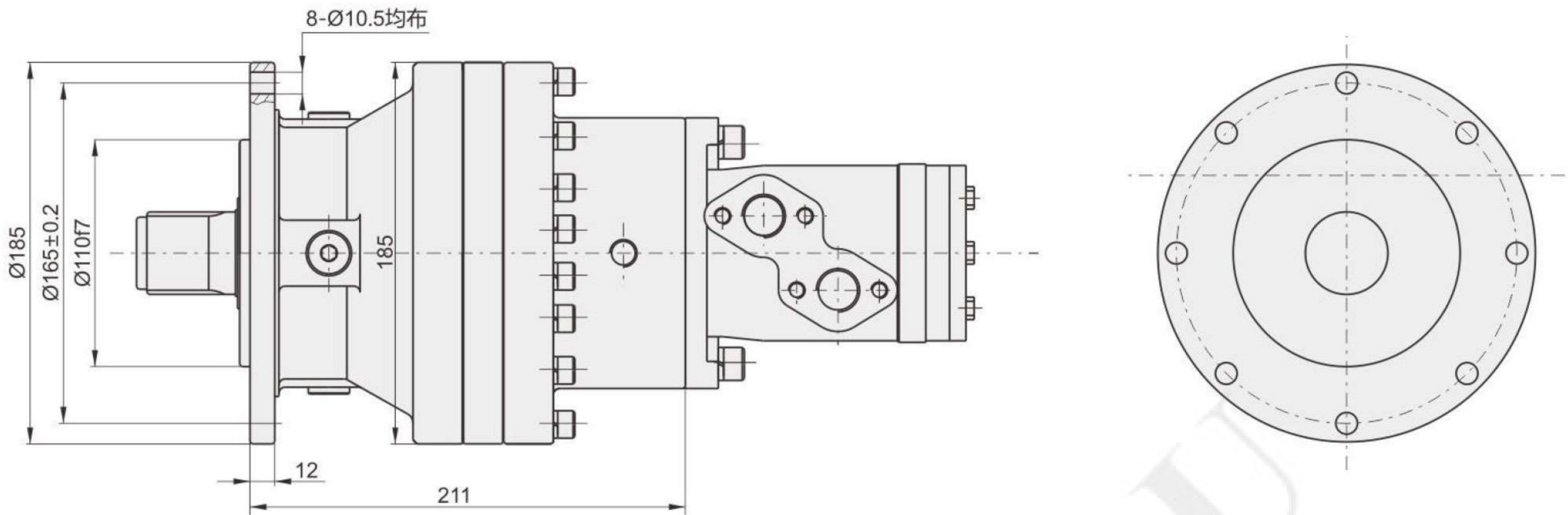
ZP300L2A28.9ZB said ZP300 series of rotary speed reducer, the rotary speed reducer using two planetary gear transmission, the output shaft for the involute external spline, gear box drive ratio28.9, with brake, with the motor.

备注：具体的技术要求请与公司技术部门联系。
Note: specific technical requirements, please contact the company's technical department.

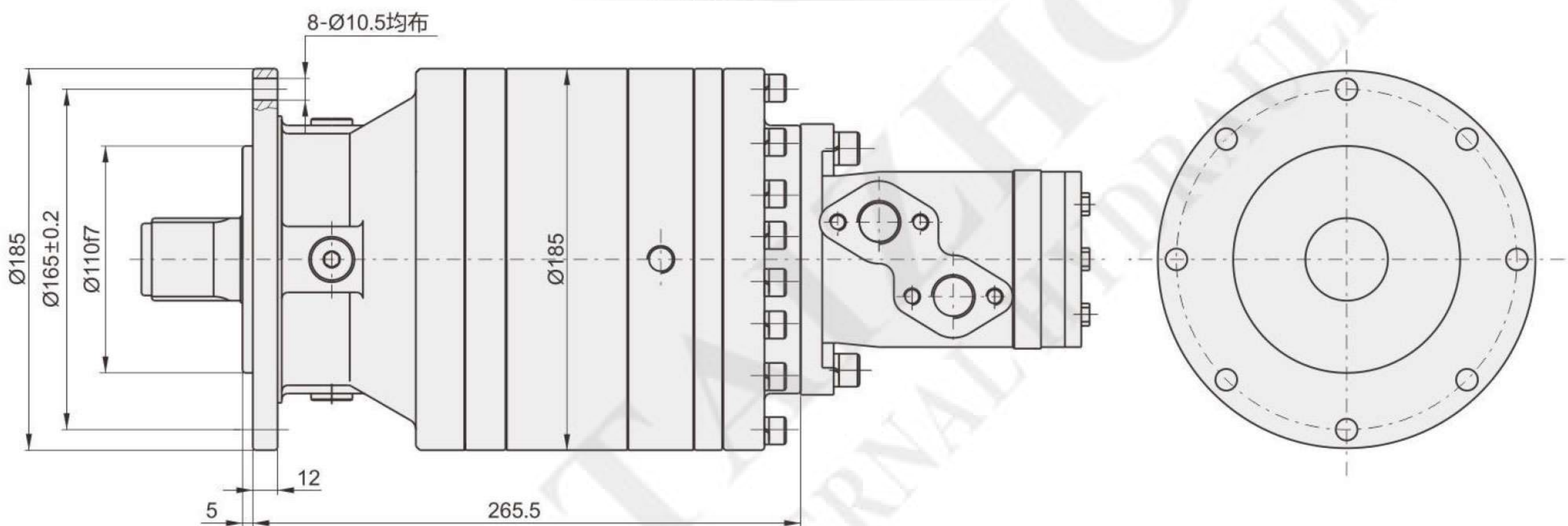
ZP301L1系列/ ZP301PL1 Serie

ZP301L1外形尺寸图/ ZP301L1 Installation Dimensions

无制动器/ Without brake



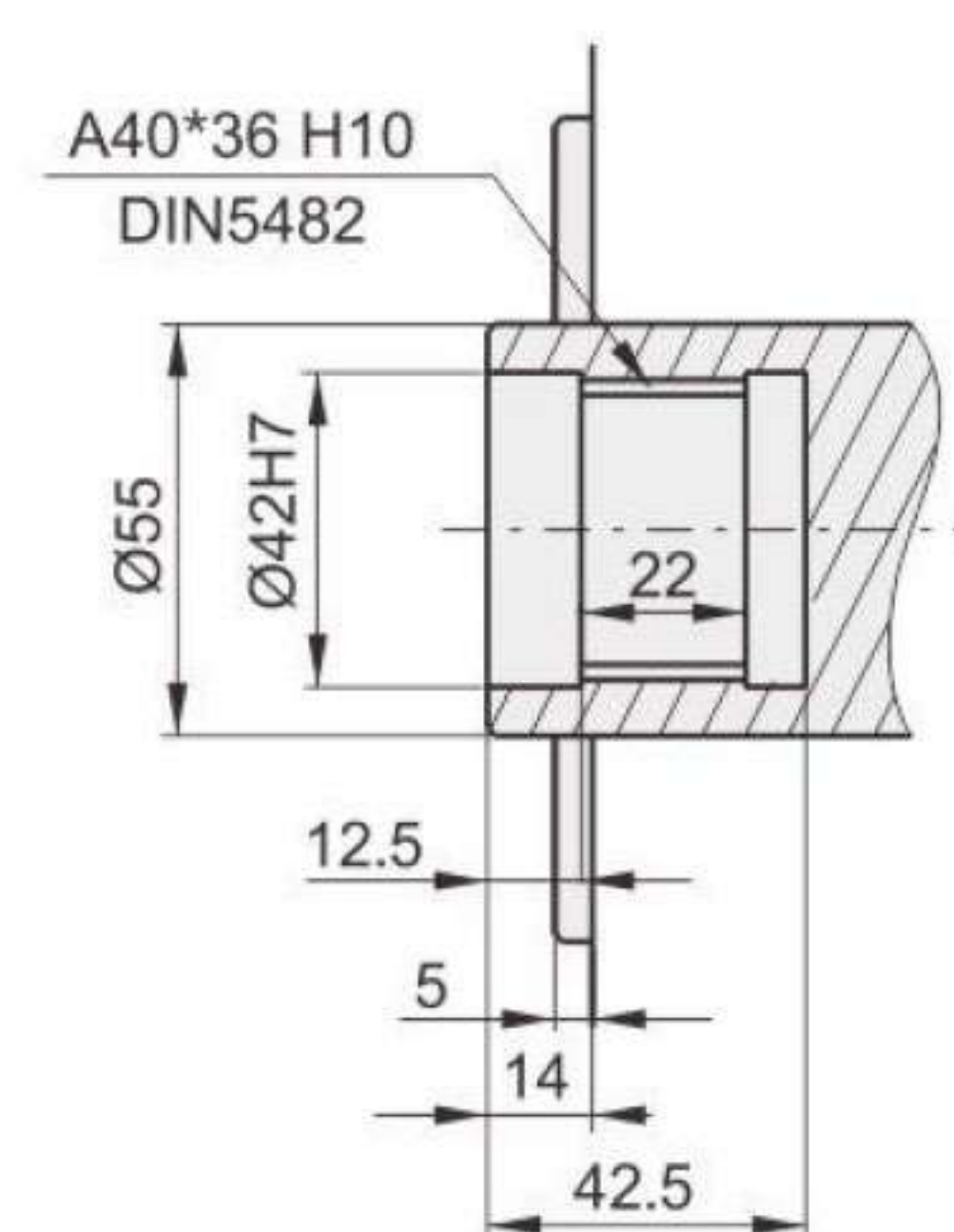
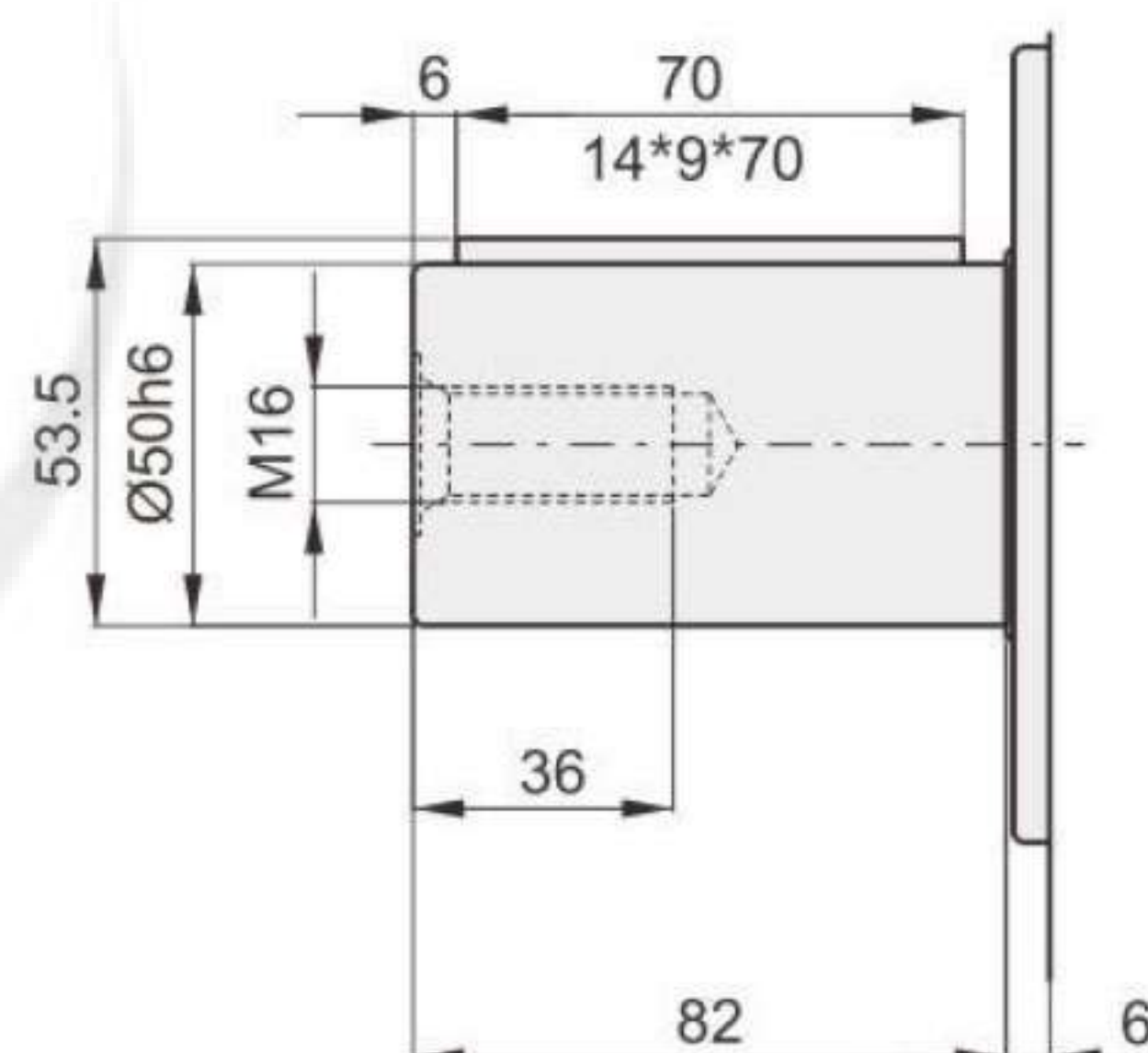
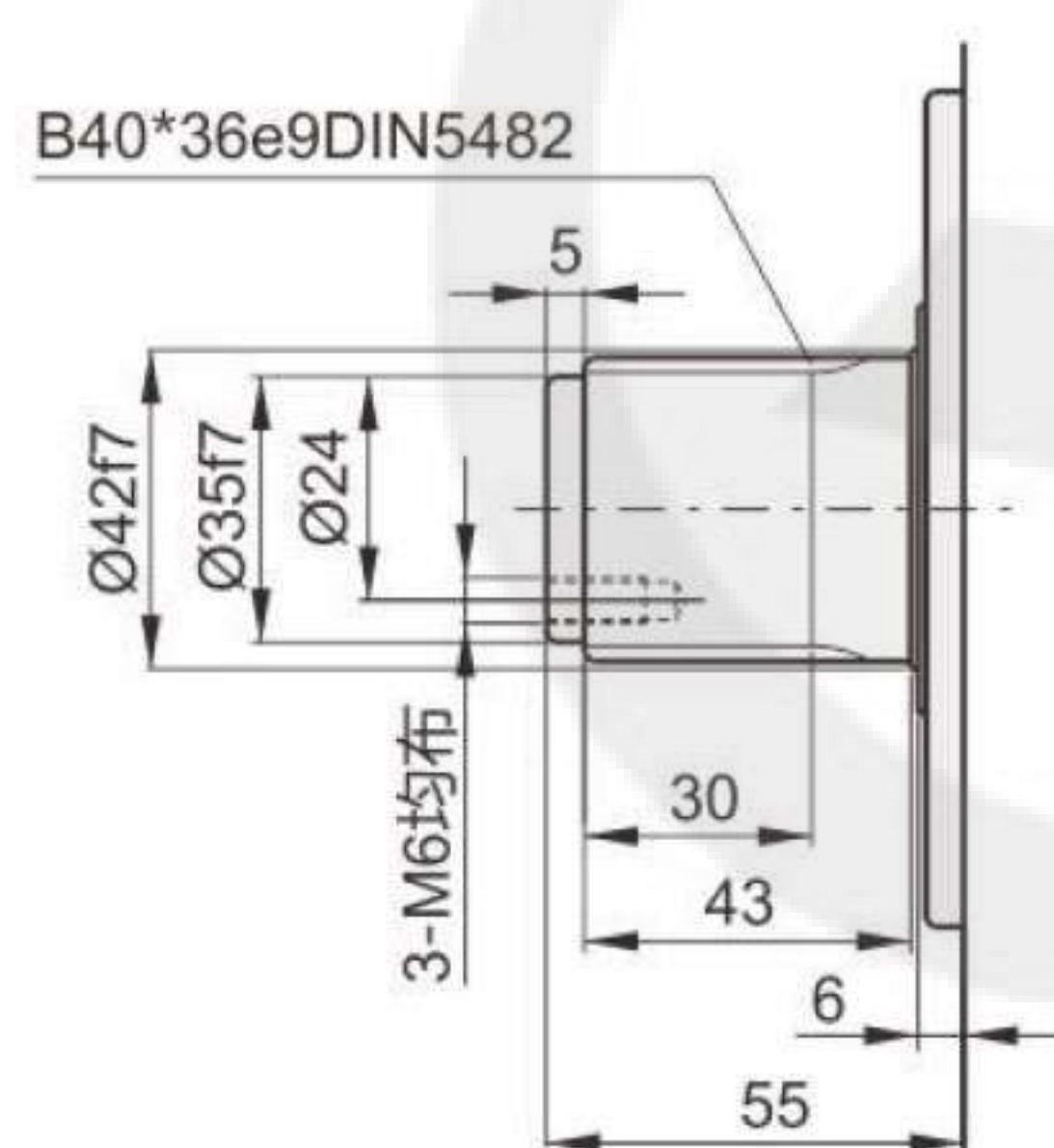
带制动器/ With brake



A轴/ A shaft

B轴/ B shaft

I轴/ I shaft



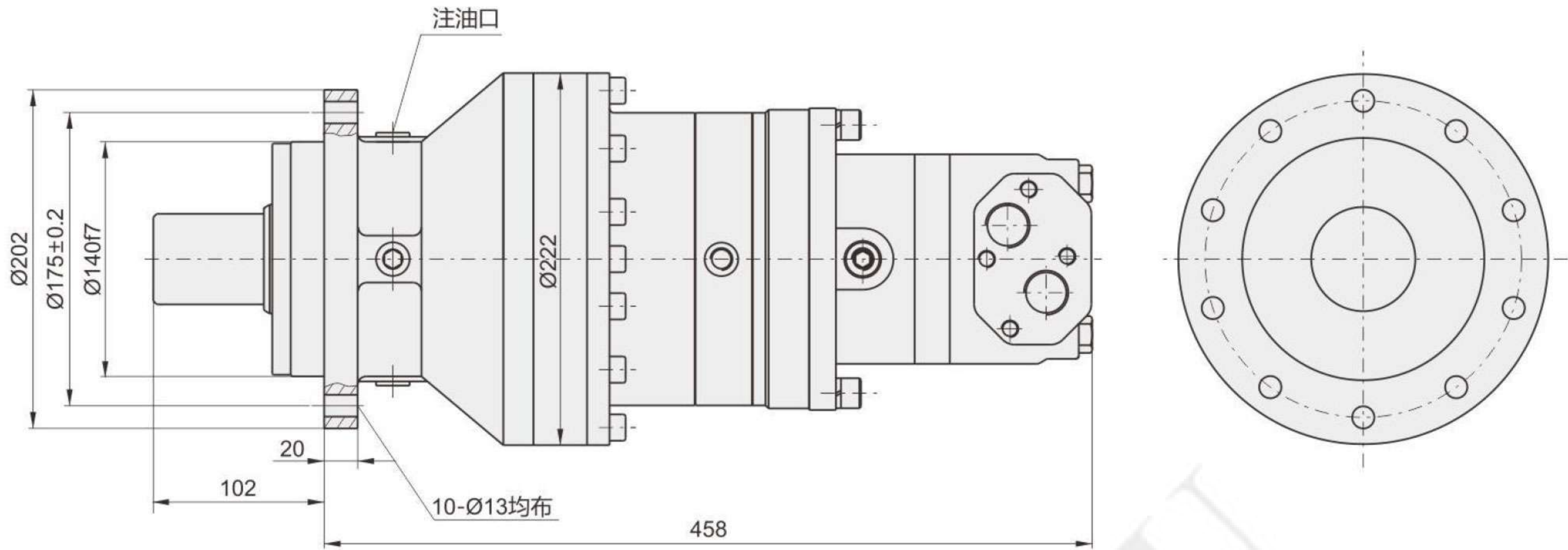
技术参数/ Technical data

型号 Model	传动比 Transmission ratio (i)	额定扭矩 Rated torque (N.m)	间歇扭矩 Intermittent torque (N.m)	速度范围 Speed range (rpm)	液压马达 Hydraulic motor	制动器扭矩 Static brake torque (N.m)	推荐输出齿轮 Recommended output gear
ZP301L1	3.5~5.8	1750	2100	5~50	BMR	2300	m=6,Z=14,X=0.5

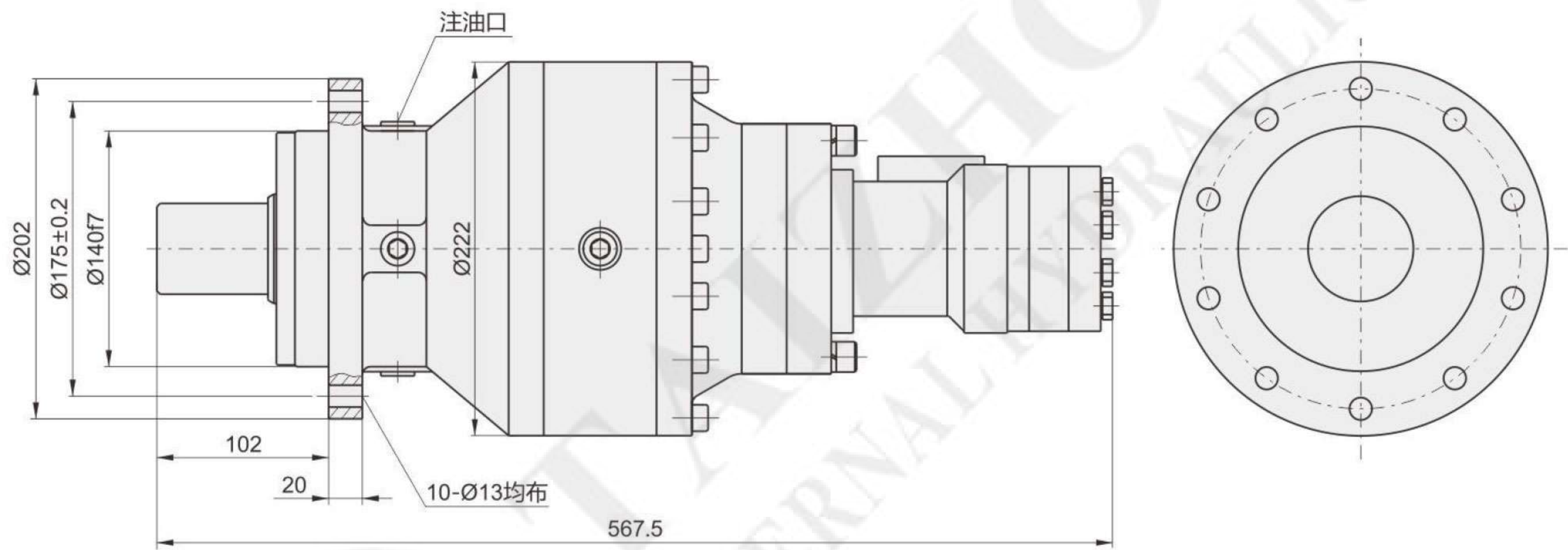
备注：具体的参数请与本公司技术部门联系。
Note: specific technical requirements, please contact the company's technical department.

ZP302L1/ ZP302L2系列/ ZP302L1/ ZP302L2 Serie

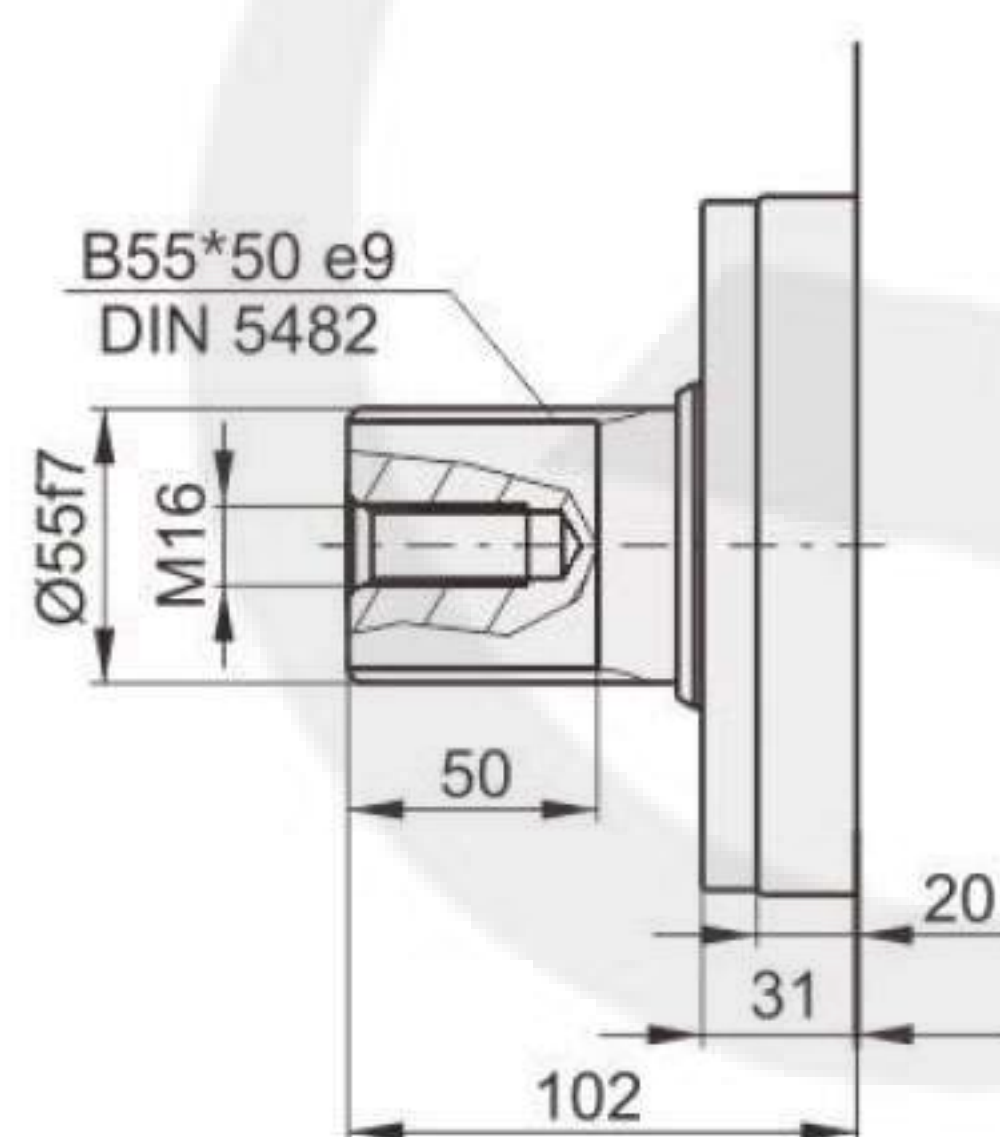
ZP302L1外形尺寸图/ ZP302L1 Installation Dimensions



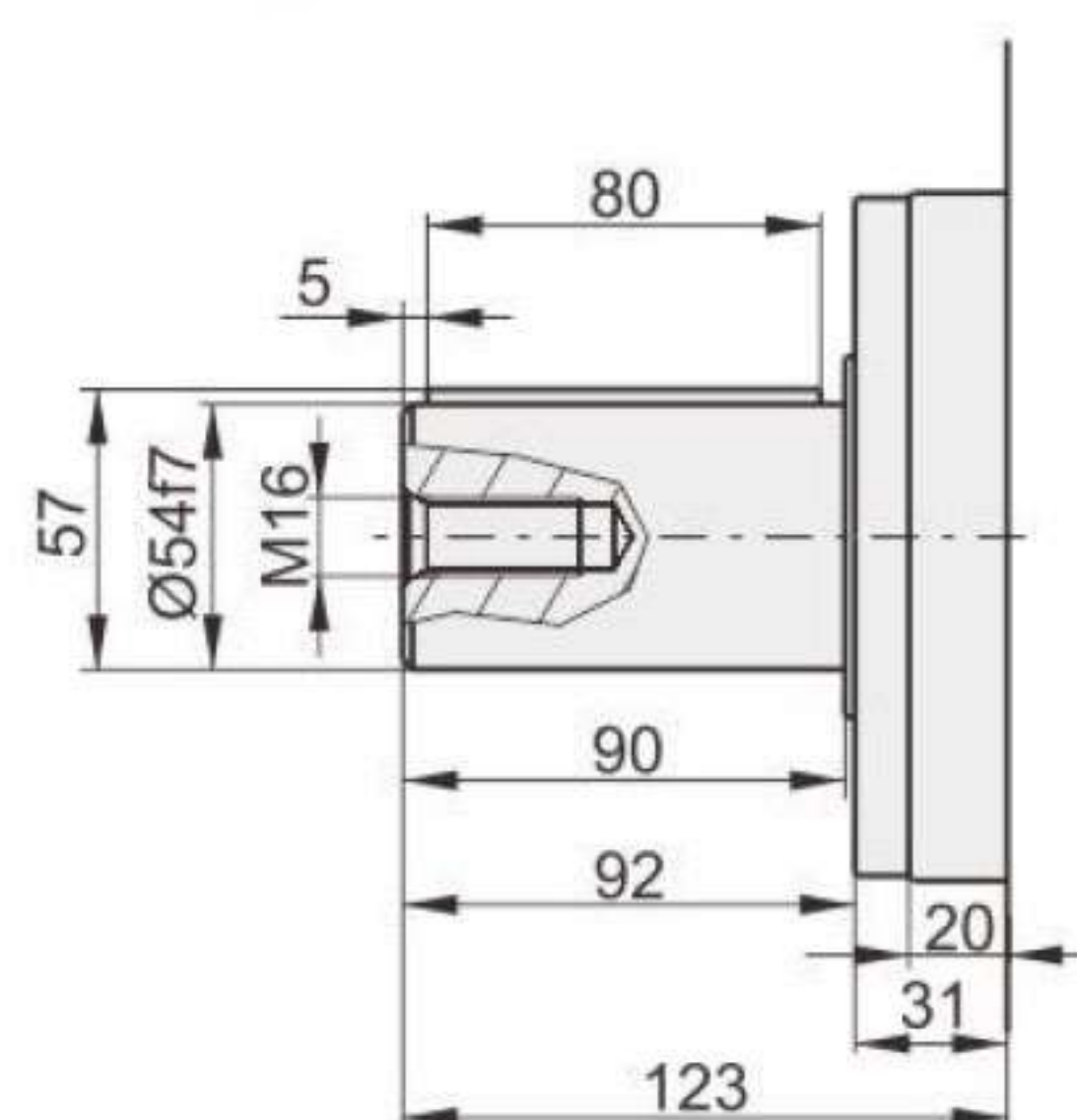
ZP302L2 外形尺寸图/ ZP302L2 Installation Dimensions



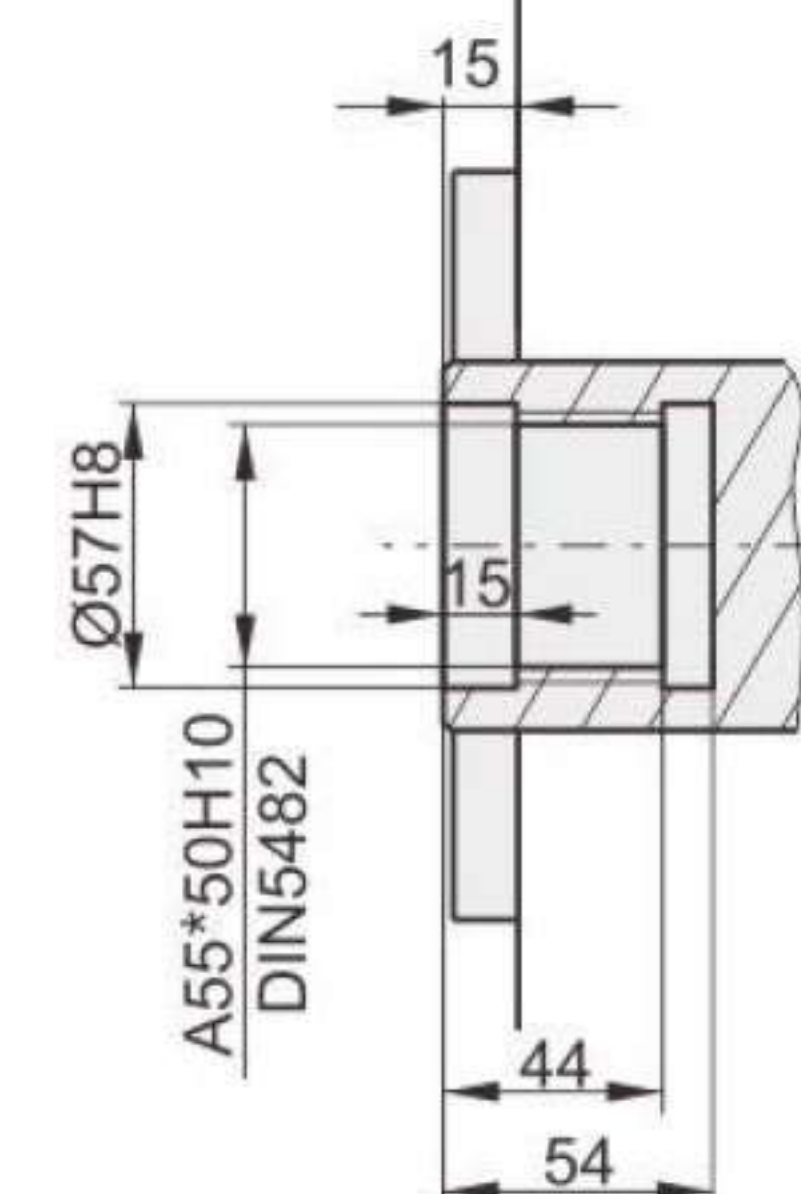
A轴/ A shaft



B轴/ B shaft



I轴/ I shaft



技术参数/ Technical data

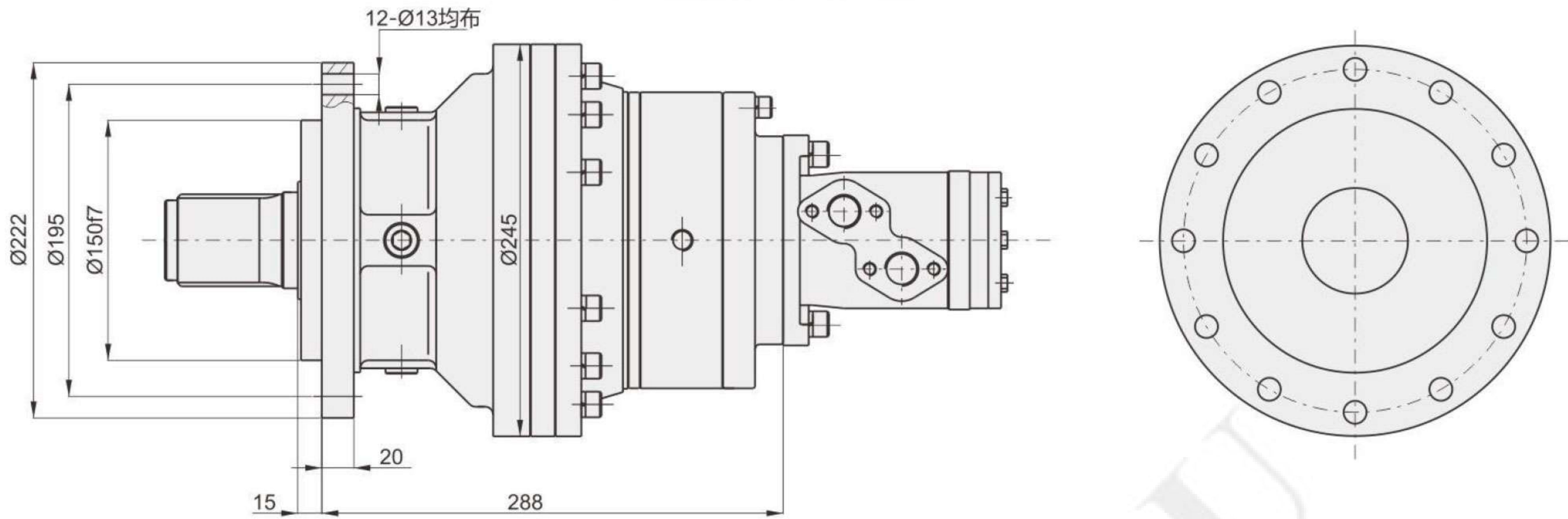
型号 Model	传动比 Transmission ratio (i)	额定扭矩 Rated torque (N.m)	间歇扭矩 Intermittent torque (N.m)	速度范围 Speed range (rpm)	液压马达 Hydraulic motor	制动器扭矩 Static brake torque (N.m)	推荐输出齿轮 Recommended output gear
ZP302L1	5.6~6.3	2800	3360	10~26	BMR	4200	m=8,Z=12,X=0.5
ZP302L2	17~30	2800	3360	6~40	BMR	4200	m=8,Z=12,X=0.5

备注：具体的参数请与本公司技术部门联系。
Note: specific technical requirements, please contact the company's technical department.

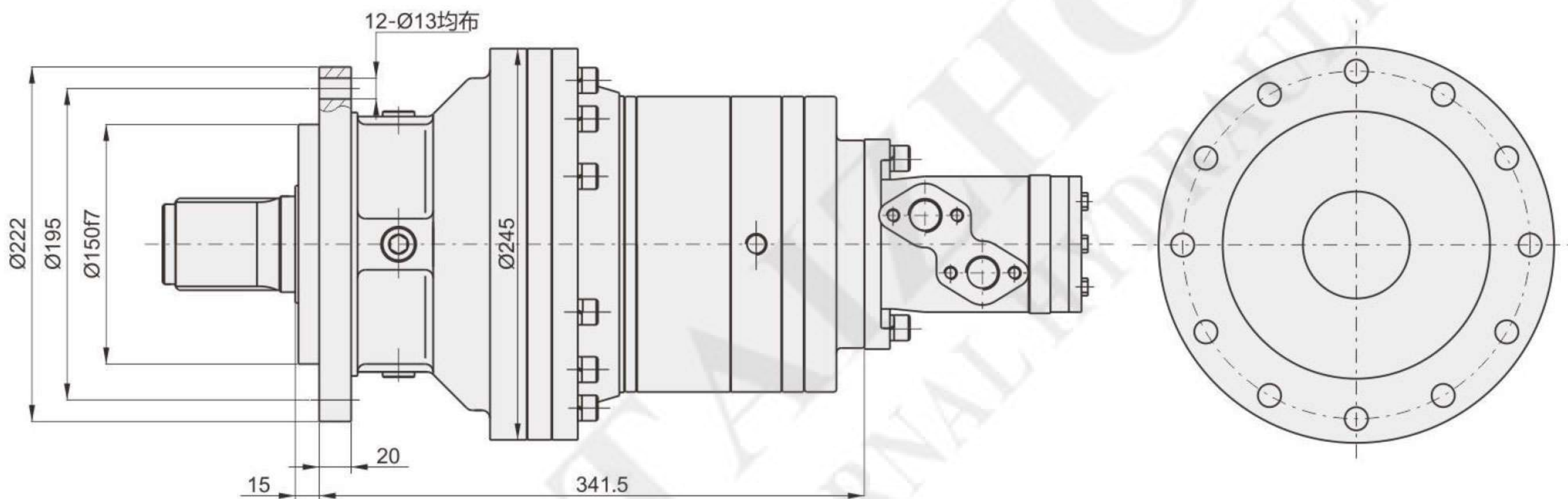
ZP303L2系列/ ZP303L2 Serie

ZP303L2 外形尺寸图/ ZP303L2 Installation Dimensions

无制动器/ Without brake



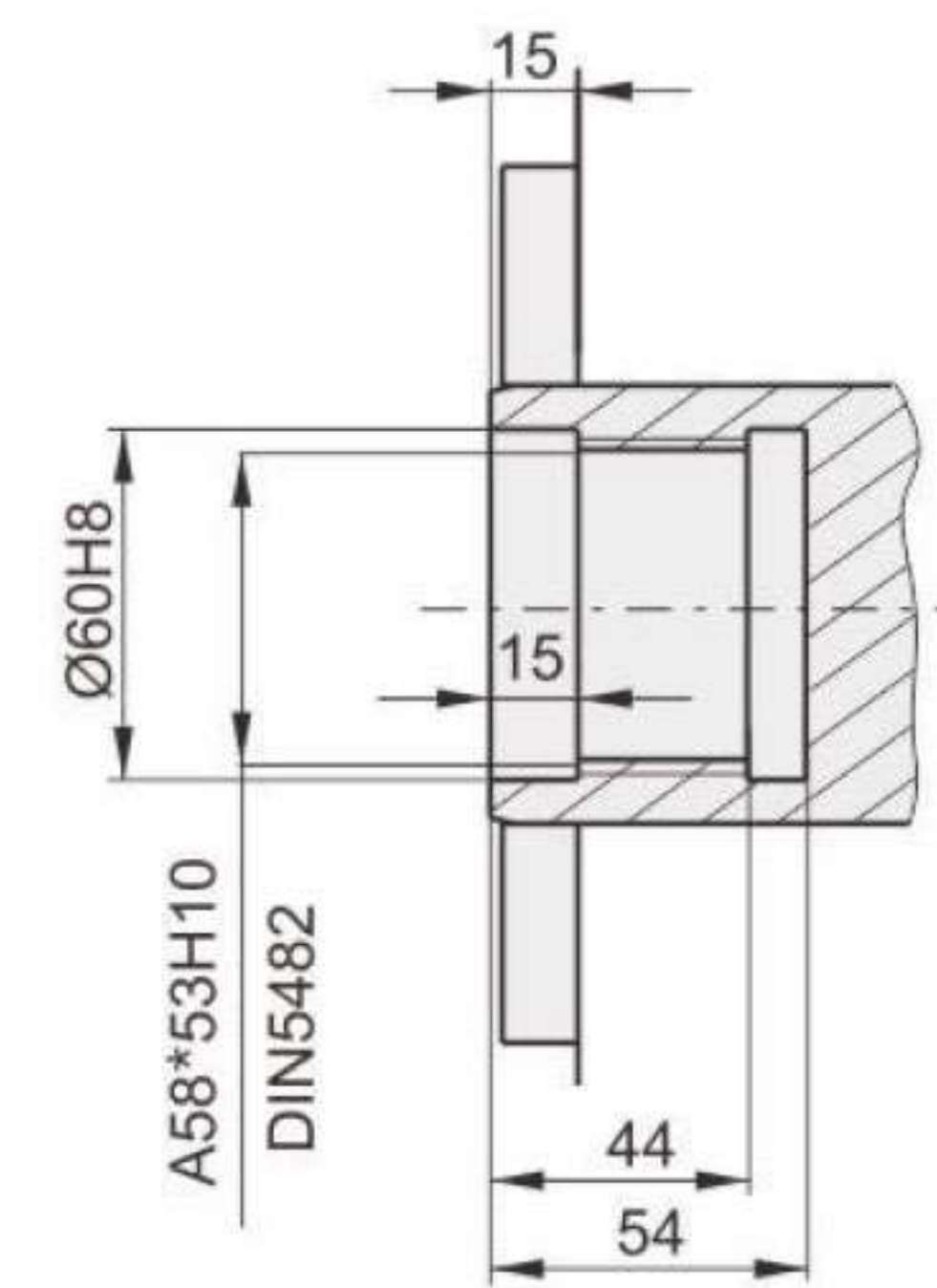
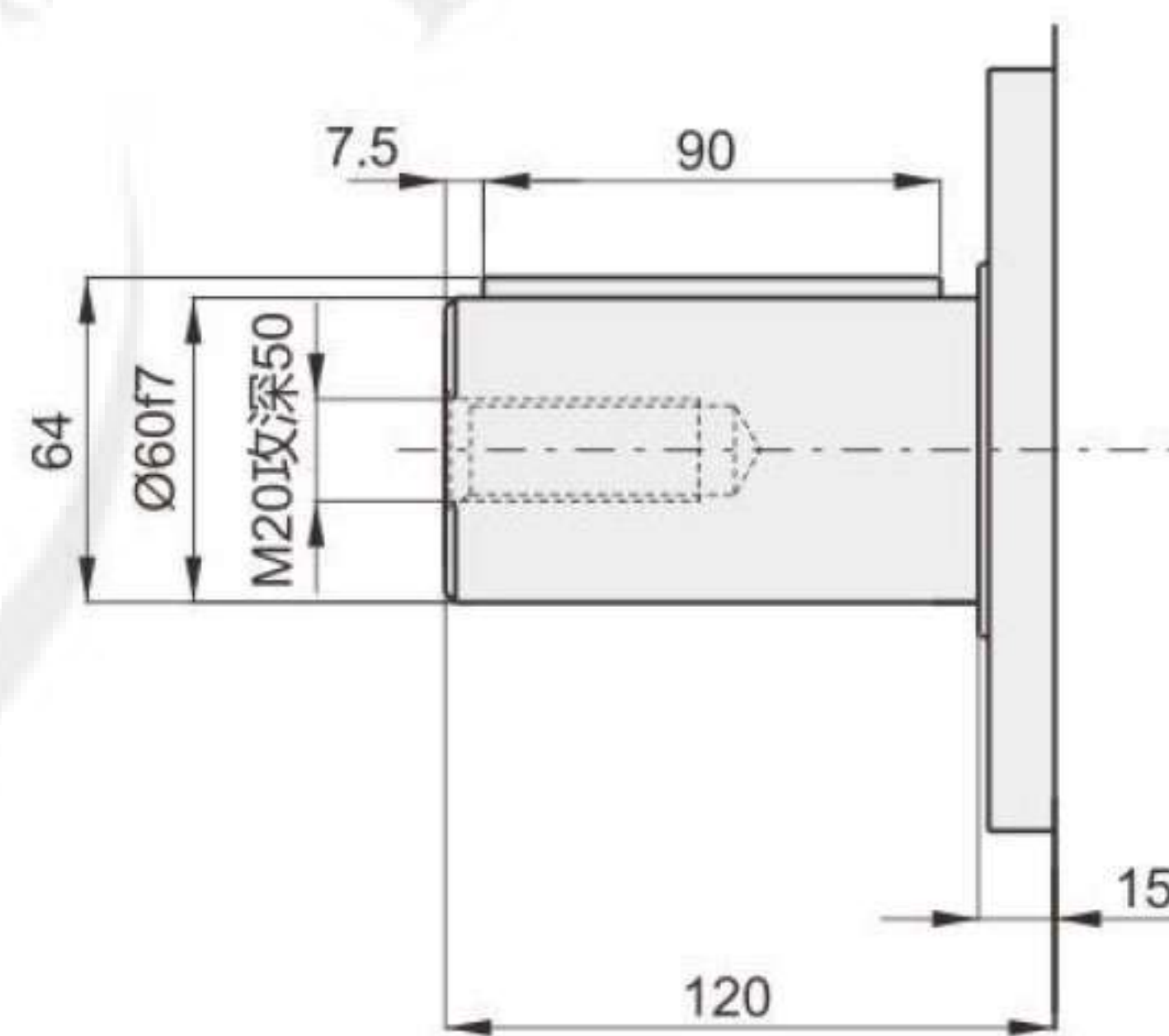
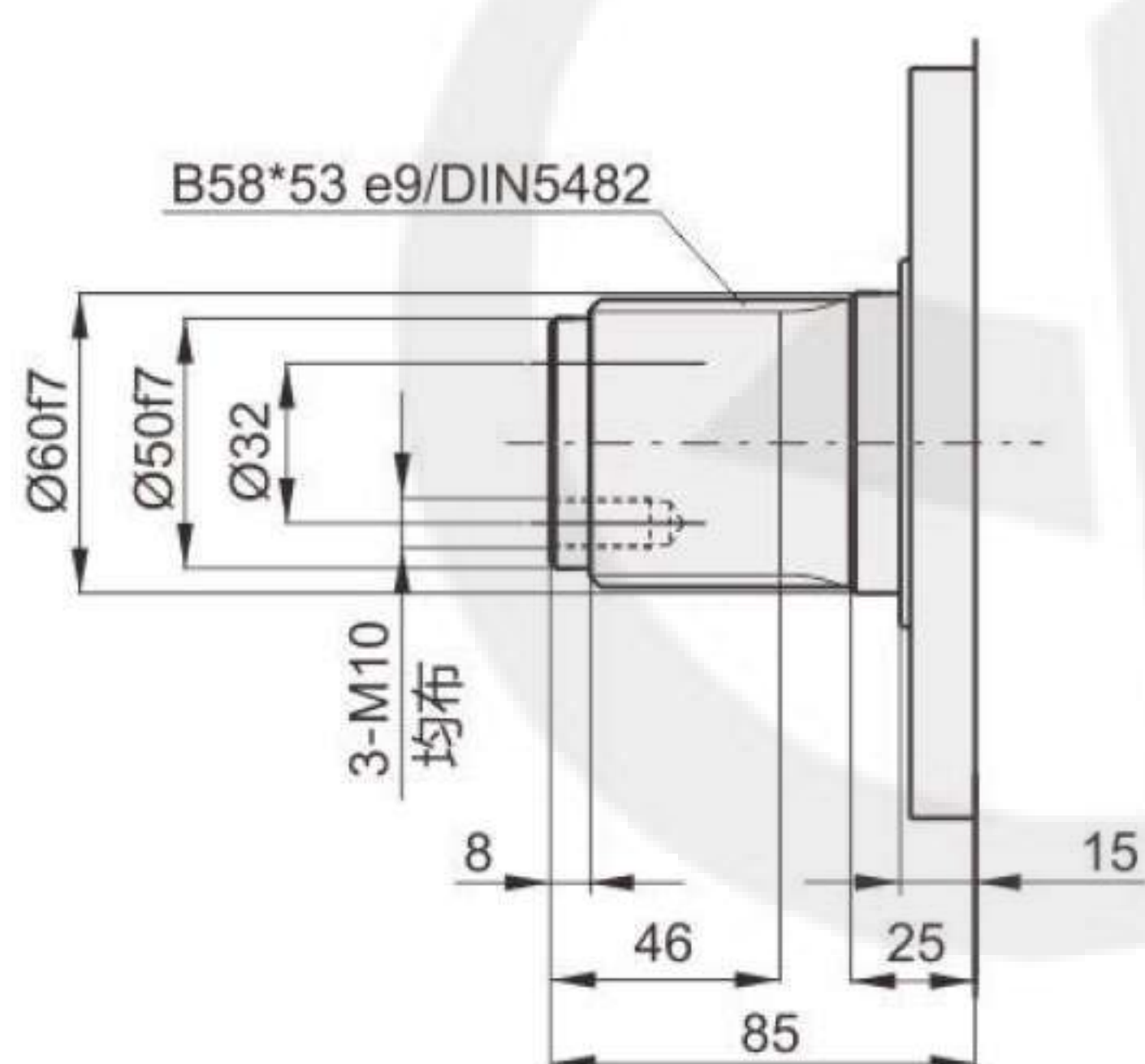
带制动器/ With brake



A轴/ A shaft

B轴/ B shaft

I轴/ I shaft



技术参数/ Technical data

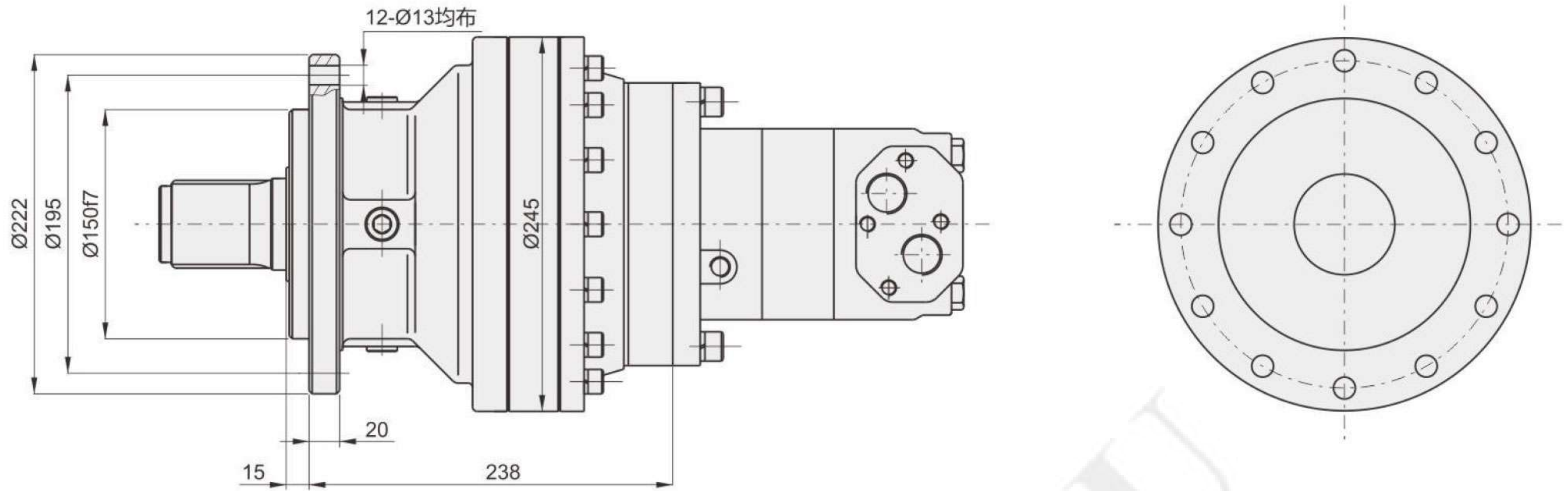
型号 Model	传动比 Transmission ratio (i)	额定扭矩 Rated torque (N.m)	间歇扭矩 Intermittent torque (N.m)	速度范围 Speed range (rpm)	液压马达 Hydraulic motor	制动器扭矩 Static brake torque (N.m)	推荐输出齿轮 Recommended output gear
ZP303L2	12.5~36	3600	4320	5~50	BMR	4700	m=8,Z=14,X=0.5

备注：具体的参数请与本公司技术部门联系。
Note: specific technical requirements, please contact the company's technical department.

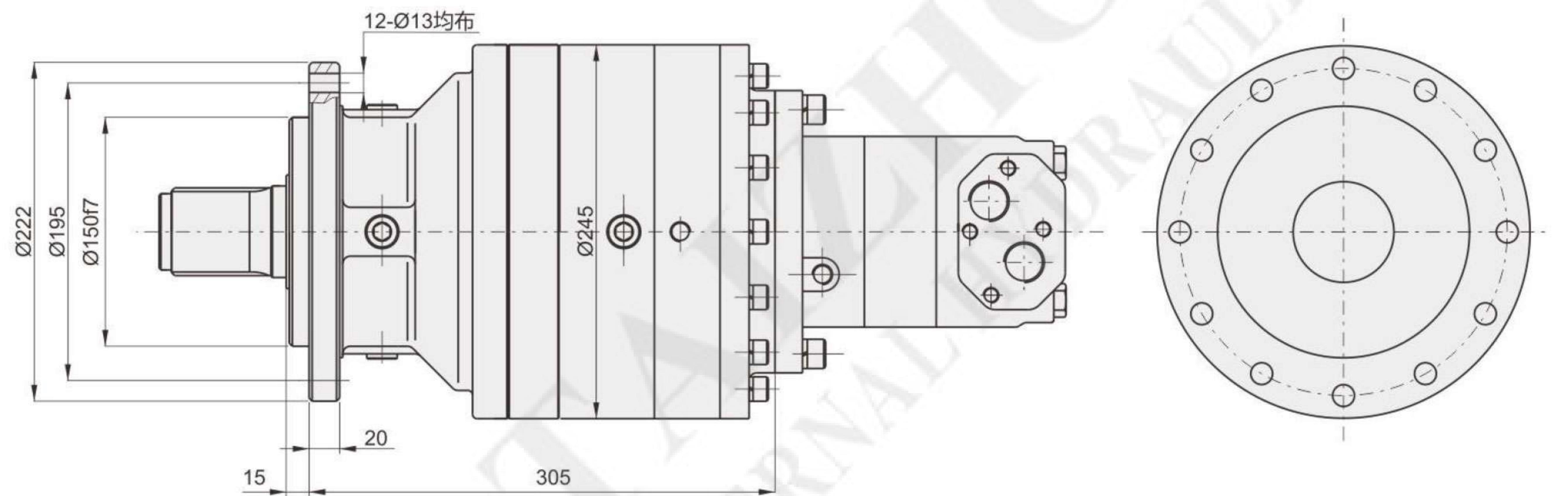
ZP305L1系列/ ZP305L1 Serie

ZP305L1 外形尺寸图/ ZP305L1 Installation Dimensions

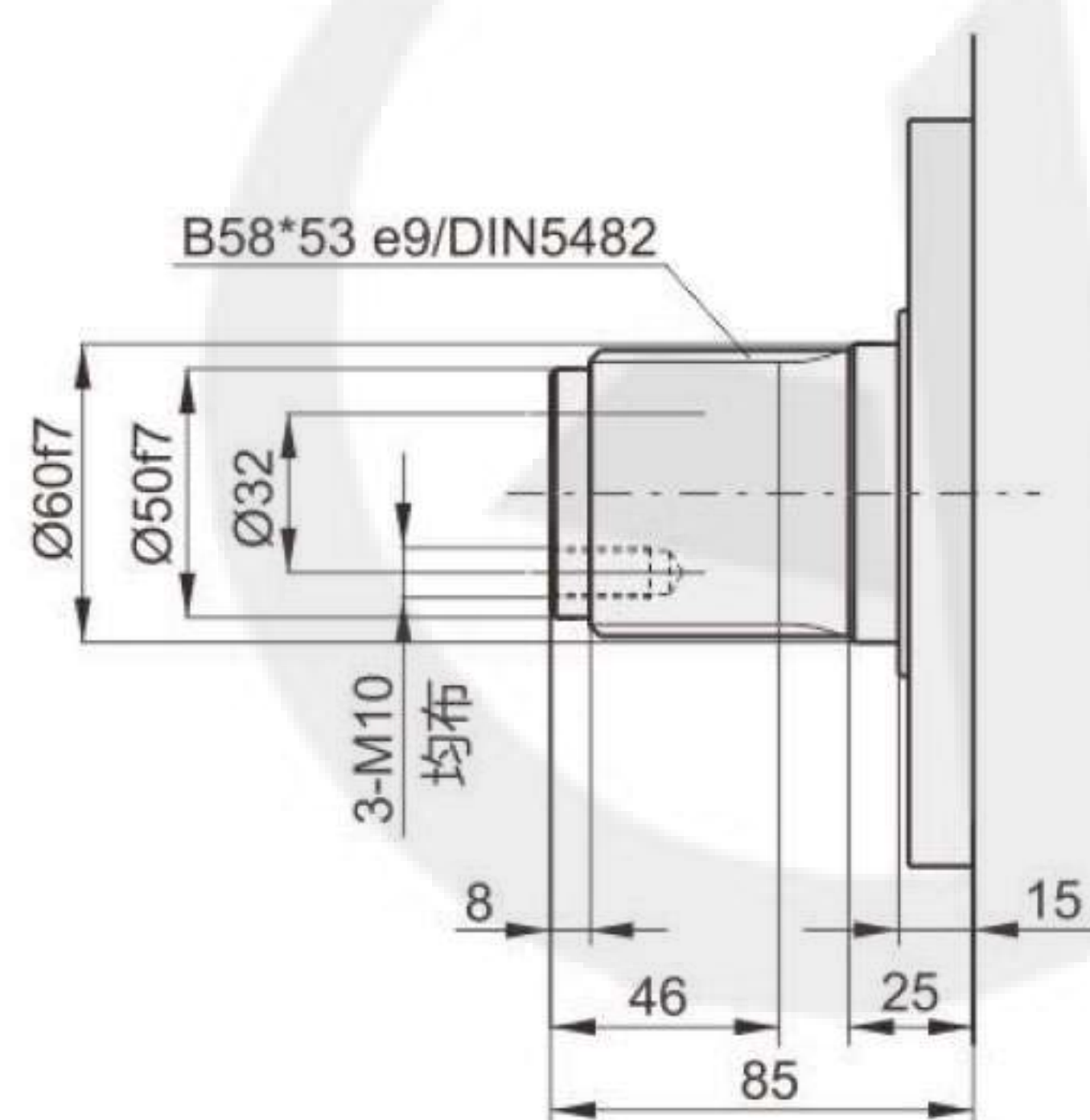
无制动器/ Without brake



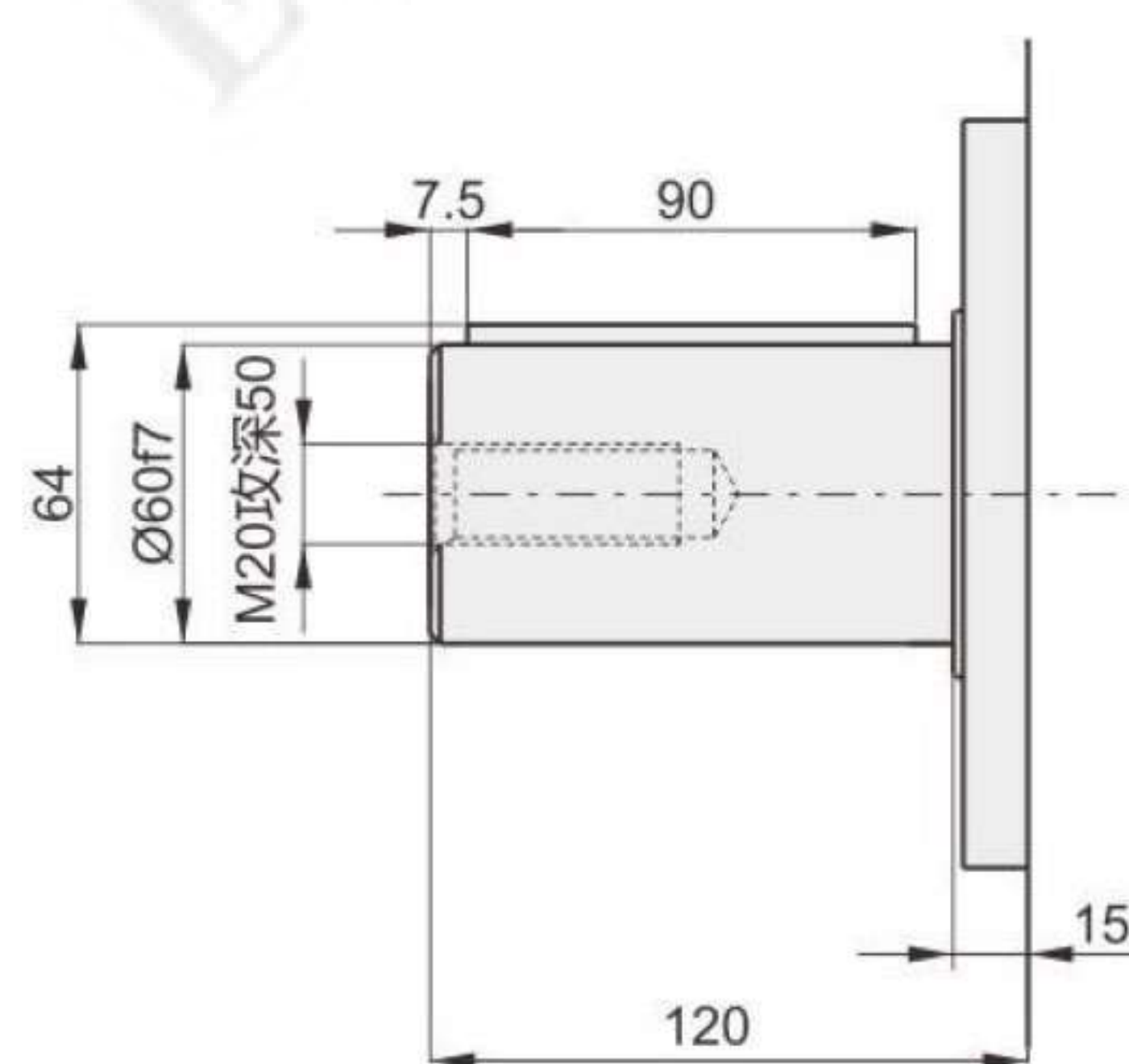
带制动器/ With brake



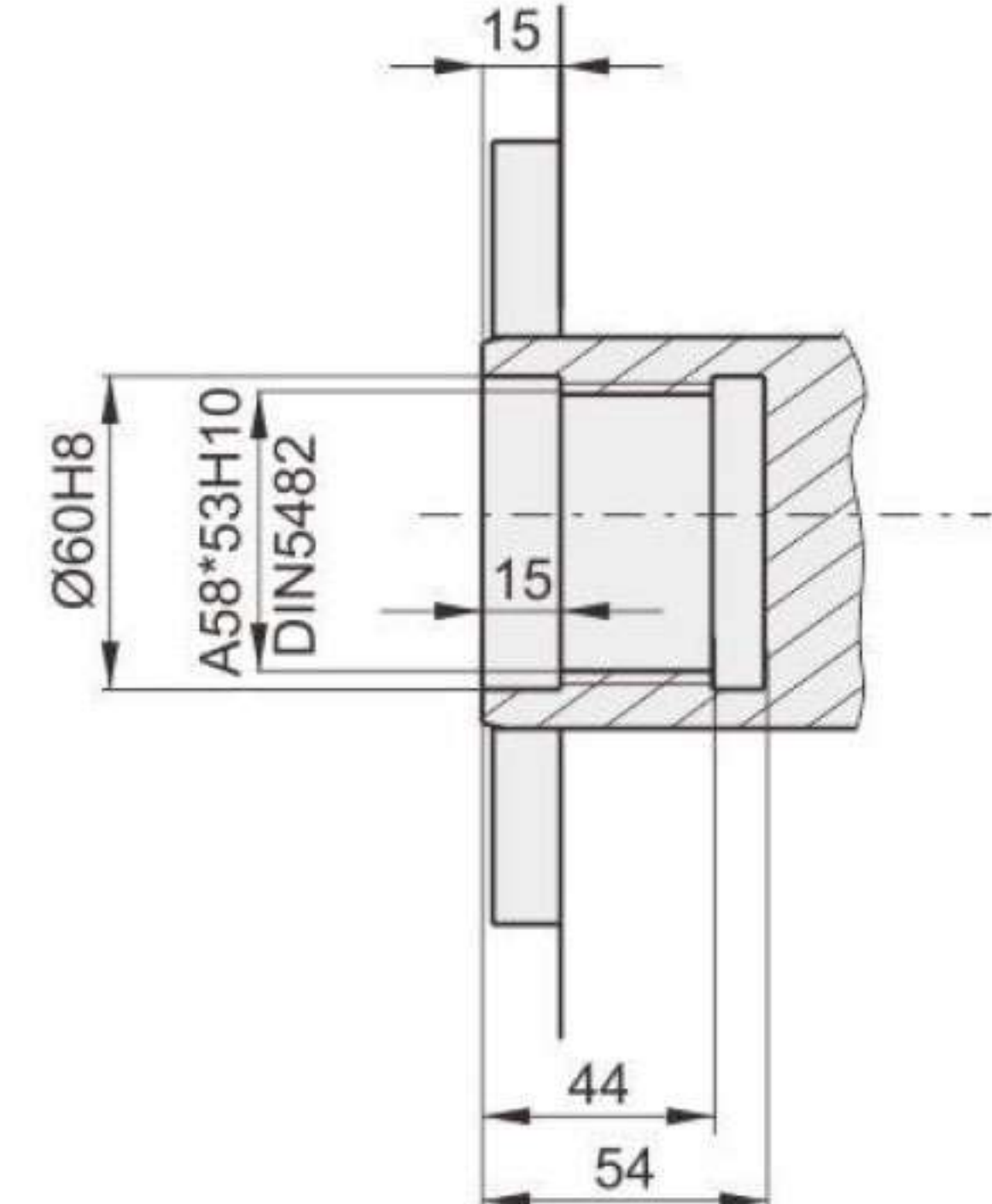
A轴/ A shaft



B轴/ B shaft



I轴/ I shaft



技术参数/ Technical data

型号 Model	传动比 Transmission ratio (i)	额定扭矩 Rated torque (N.m)	间歇扭矩 Intermittent torque (N.m)	速度范围 Speed range (rpm)	液压马达 Hydraulic motor	制动器扭矩 Static brake torque (N.m)	推荐输出齿轮 Recommended output gear
ZP305L1	3.7~6.3	5000	6000	5~50	BMR	7500	m=8,Z=15,X=0.5

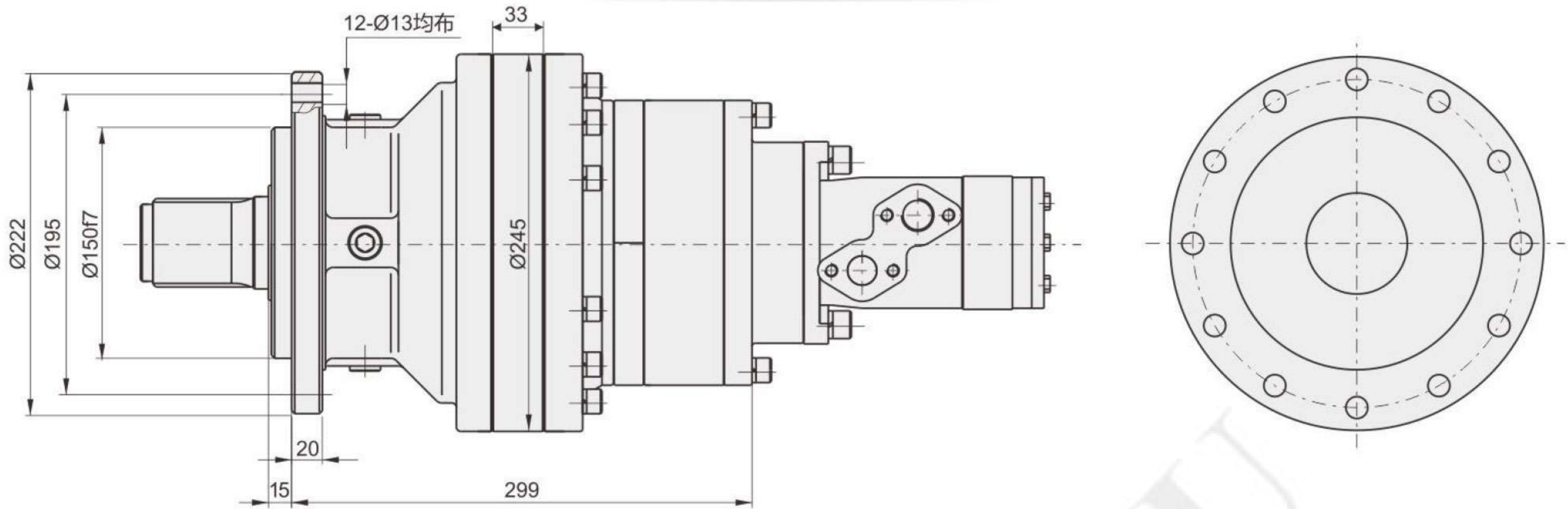
备注：具体的参数请与本公司技术部门联系。

Note: specific technical requirements, please contact the company's technical department.

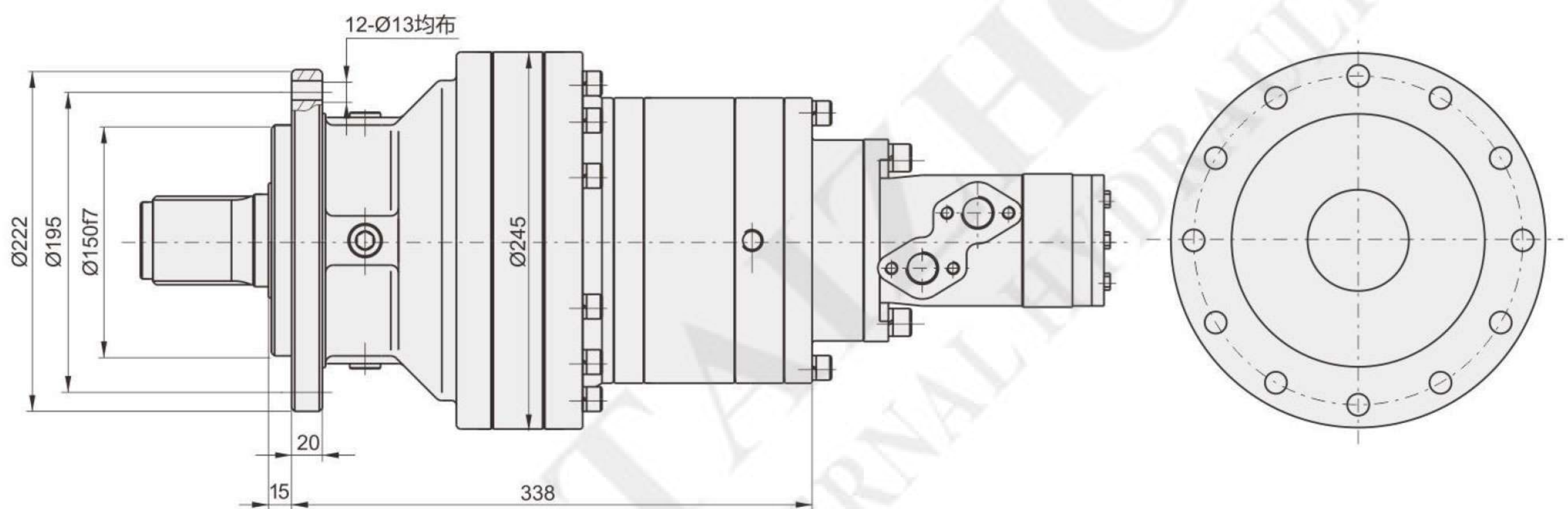
ZP305L2系列/ ZP305L2 Serie

ZP305L2 外形尺寸图/ ZP305L2 Installation Dimensions

无制动器/ Without brake



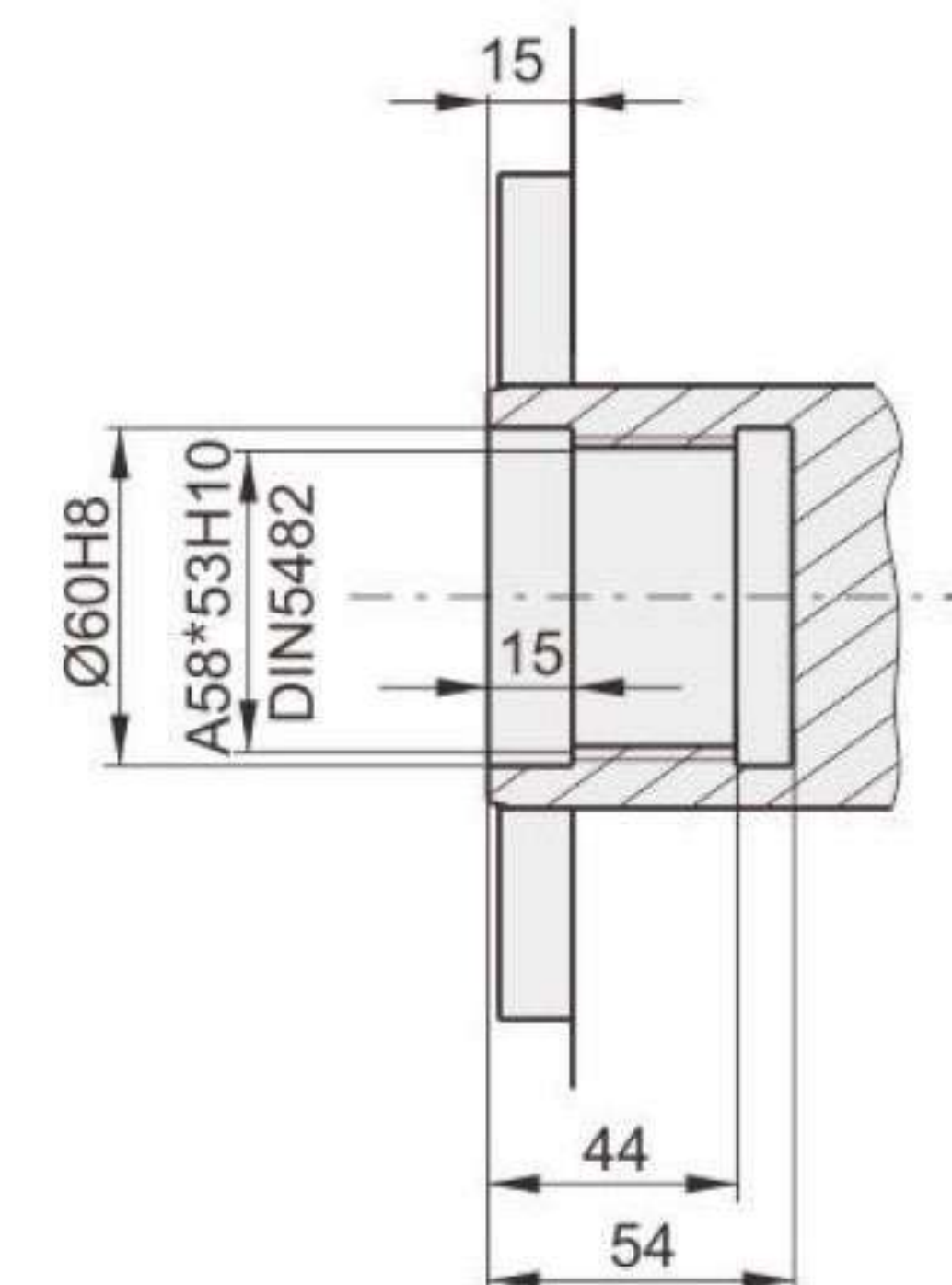
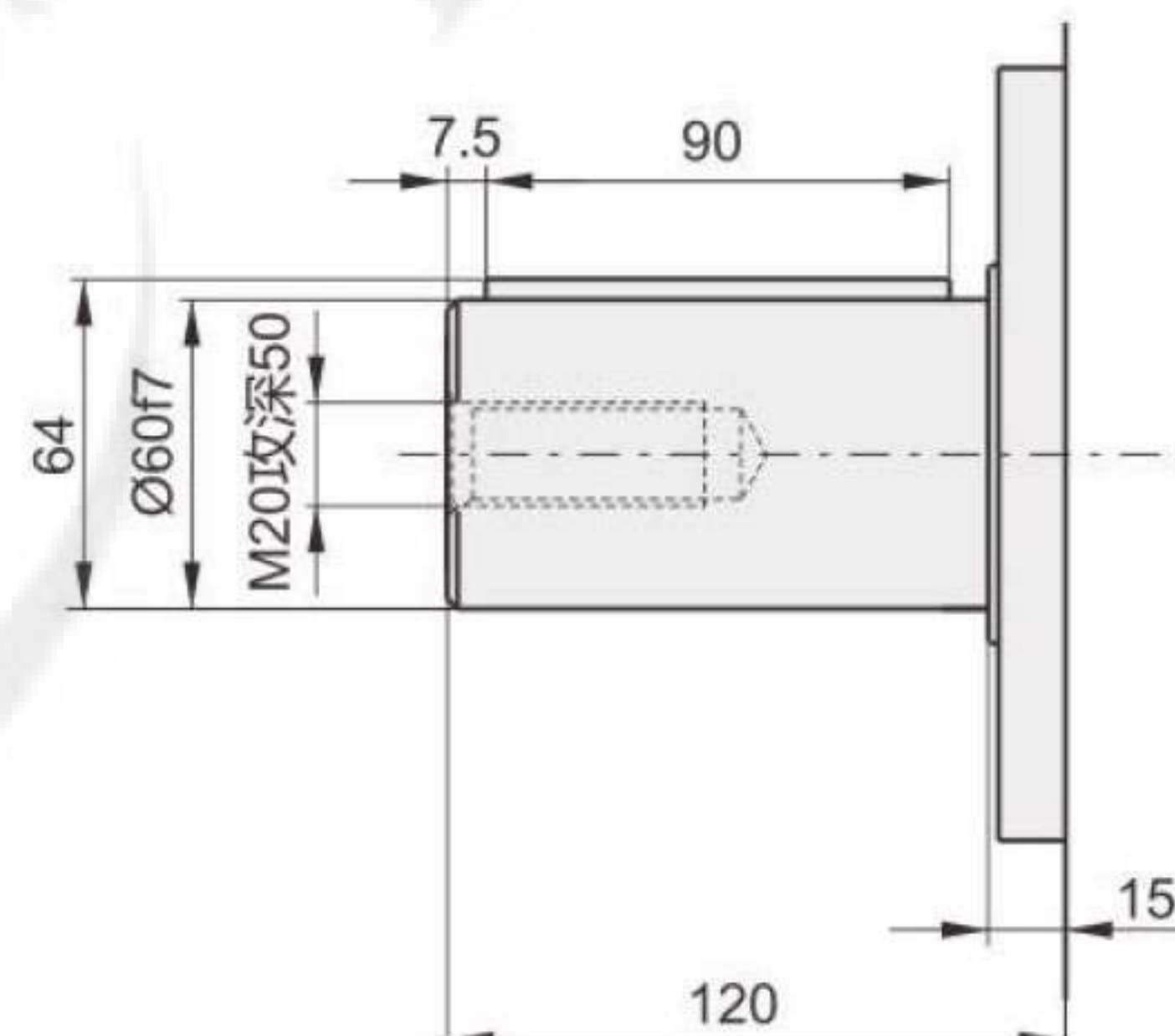
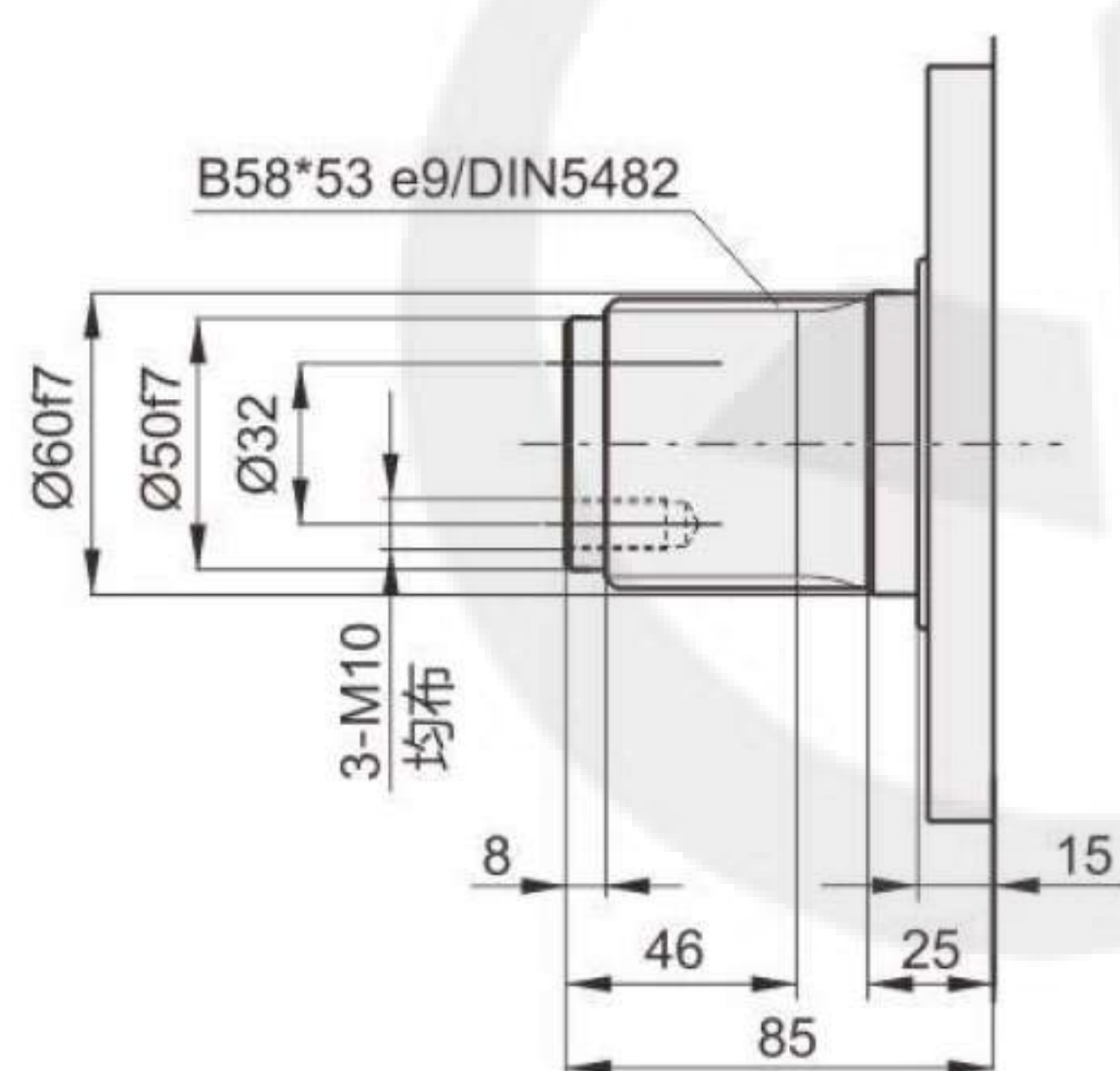
带制动器/ With brake



A轴/ A shaft

B轴/ B shaft

I轴/ I shaft



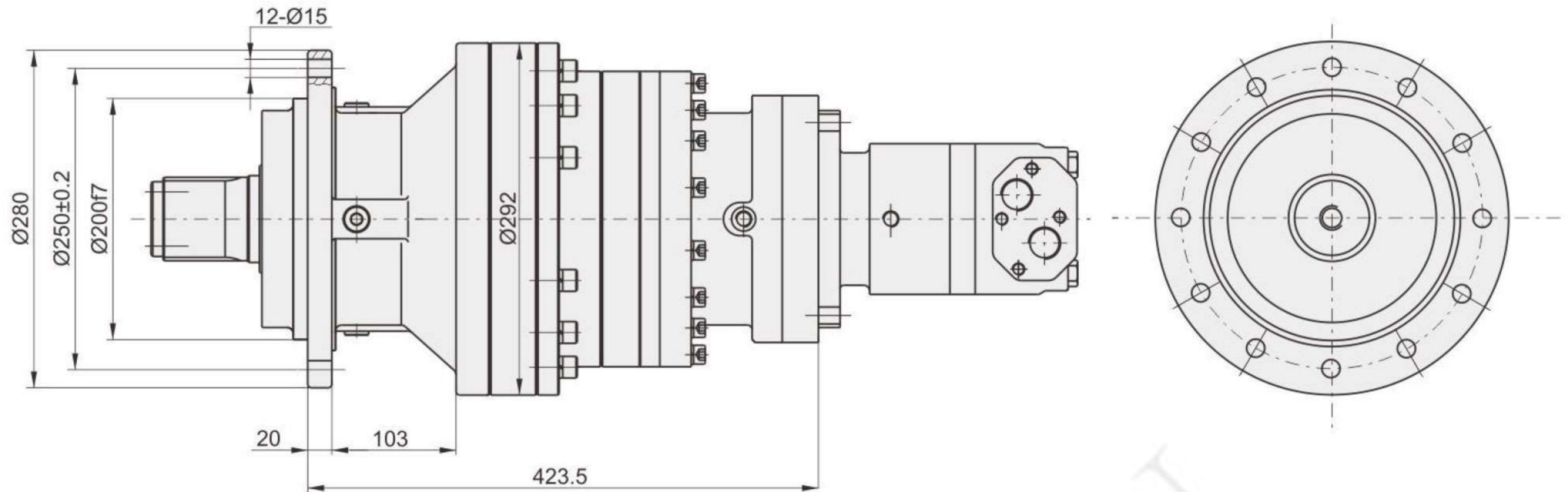
技术参数/ Technical data

型号 Model	传动比 Transmission ratio (i)	额定扭矩 Rated torque (N.m)	间歇扭矩 Intermittent torque (N.m)	速度范围 Speed range (rpm)	液压马达 Hydraulic motor	制动器扭矩 Static brake torque (N.m)	推荐输出齿轮 Recommended output gear
ZP305L2	17.5~35	5000	6000	5~50	BMR	7500	m=8,Z=15,X=0.5

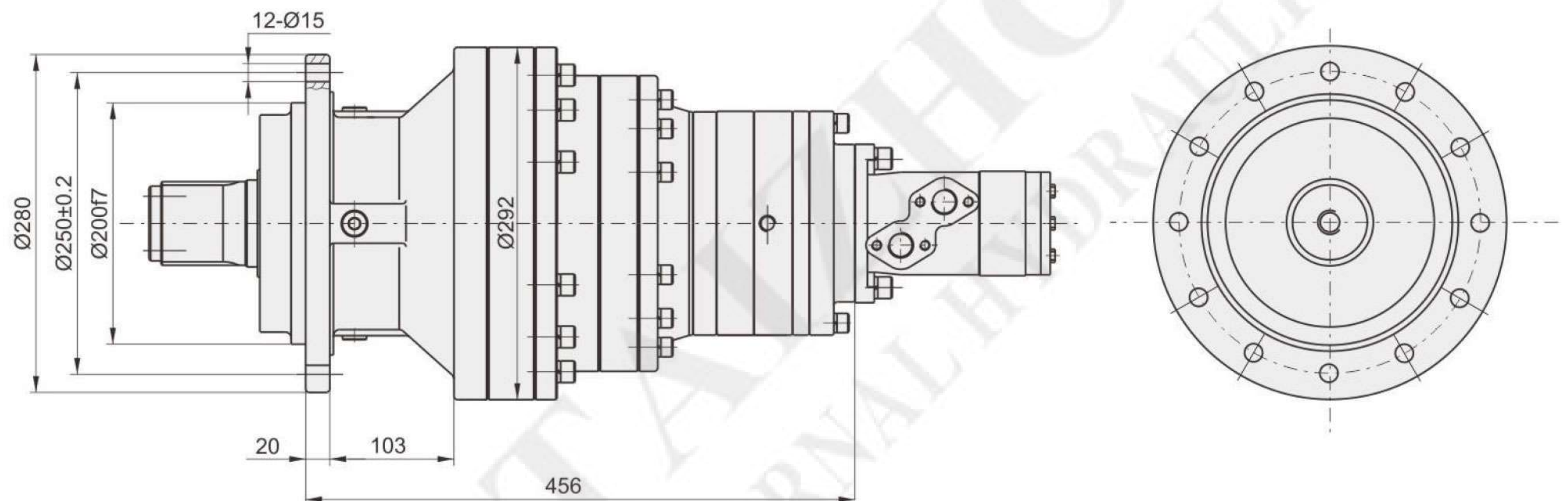
备注：具体的参数请与本公司技术部门联系。
Note: specific technical requirements, please contact the company's technical department.

ZP306L2/ ZP306L3系列/ ZP306L2/ ZP306L3 Serie

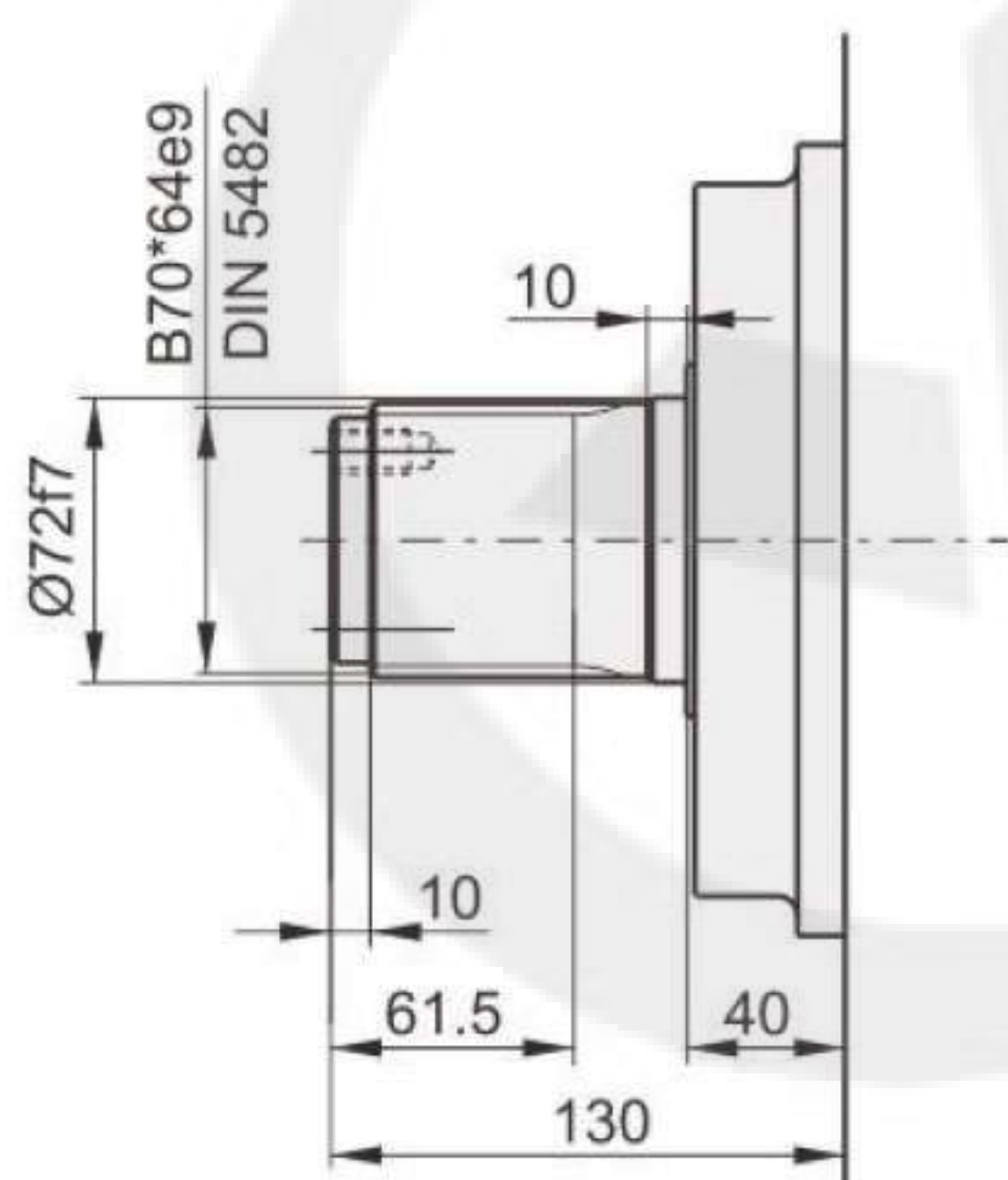
ZP306L2 外形尺寸图/ ZP306L2 Installation Dimensions



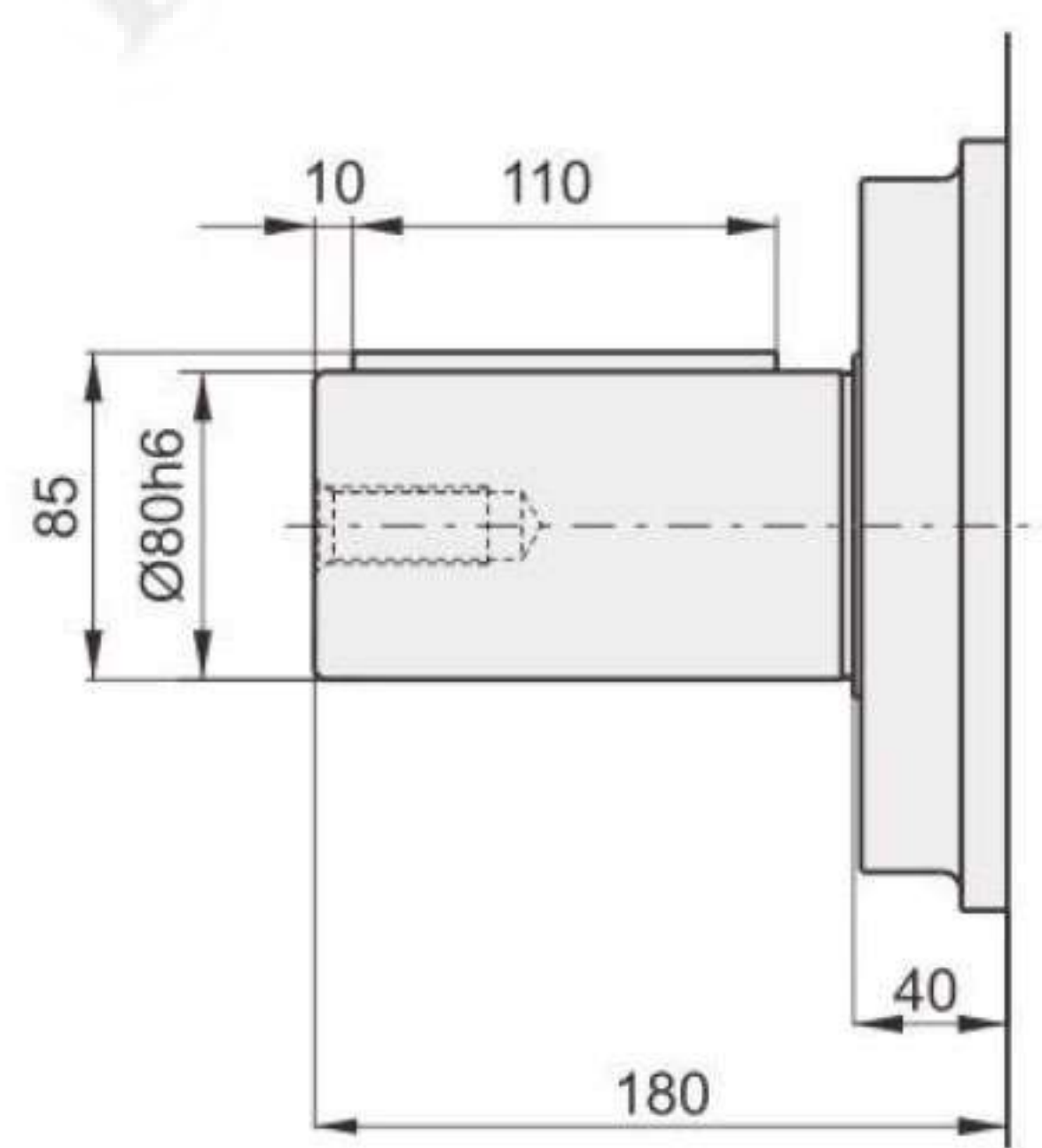
ZP306L3 外形尺寸图/ ZP306L3 Installation Dimensions



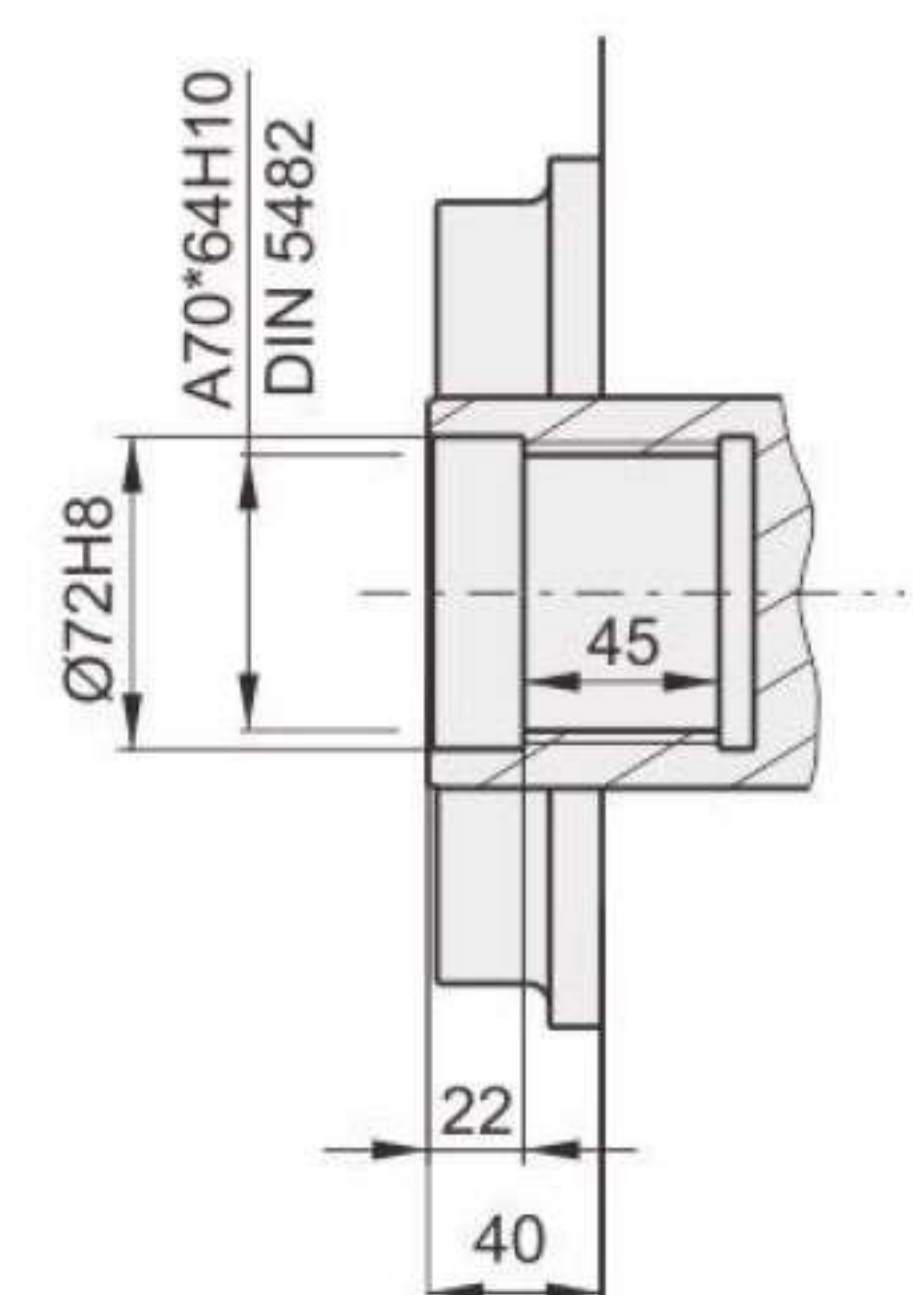
A轴/ A shaft



B轴/ B shaft



I轴/ I shaft



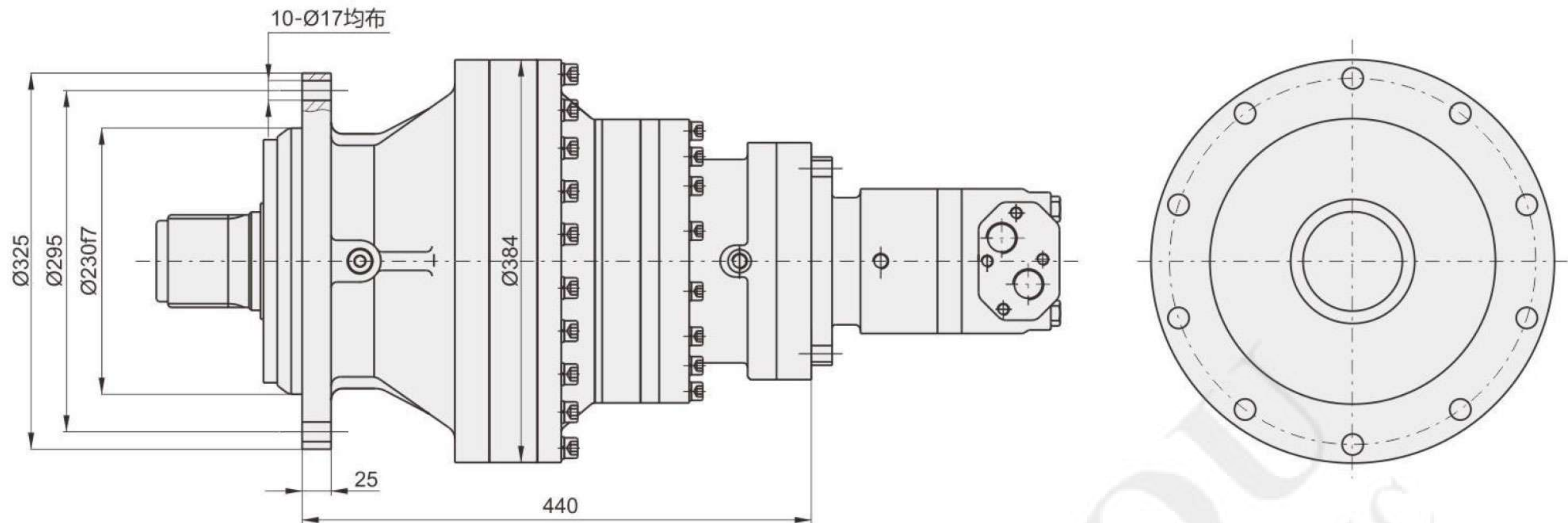
技术参数/ Technical data

型号 Model	传动比 Transmission ratio (i)	额定扭矩 Rated torque (N.m)	间歇扭矩 Intermittent torque (N.m)	速度范围 Speed range (rpm)	液压马达 Hydraulic motor	制动器扭矩 Static brake torque (N.m)	推荐输出齿轮 Recommended output gear
ZP306L2	15.3~56.3	8000	10000	3~16	BMS	15000	m=12,Z=14,X=0.5
ZP306L3	53.2~288	8000	10000	1~15	BMS	15000	m=12,Z=14,X=0.5

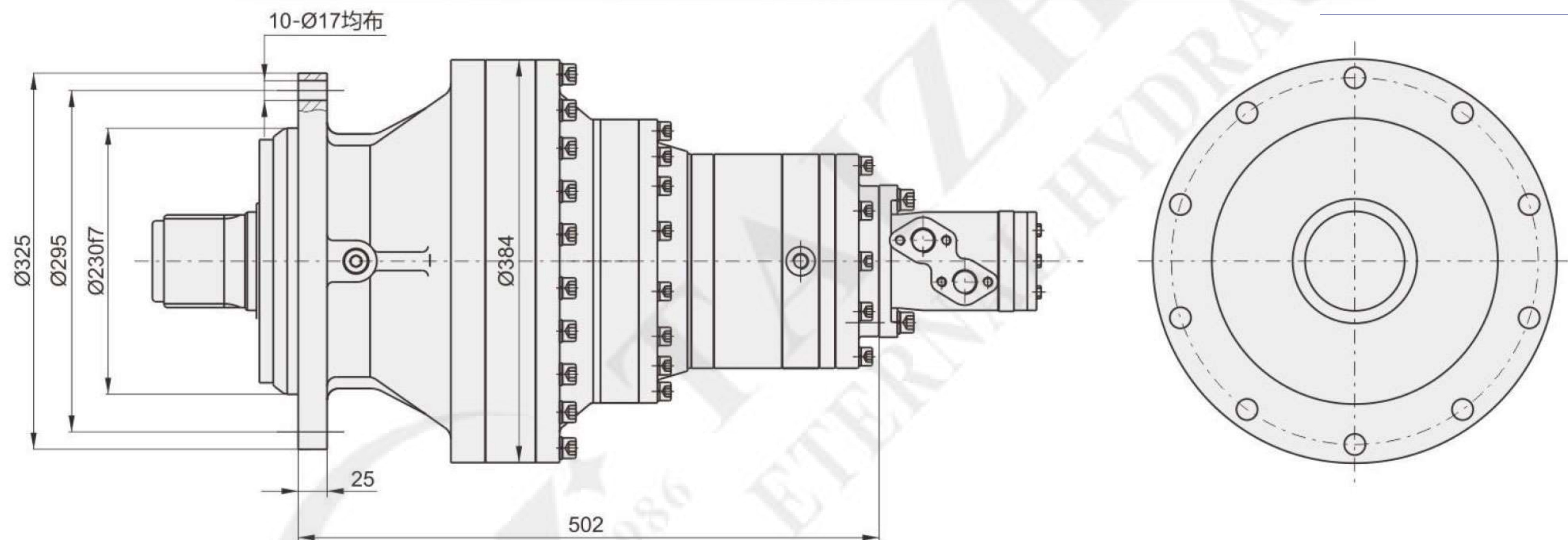
备注：具体的参数请与本公司技术部门联系。
Note: specific technical requirements, please contact the company's technical department.

ZP307L2/ ZP307L3系列/ ZP307L2/ ZP307L3 Serie

ZP307L2 外形尺寸图/ ZP307L2 Installation Dimensions



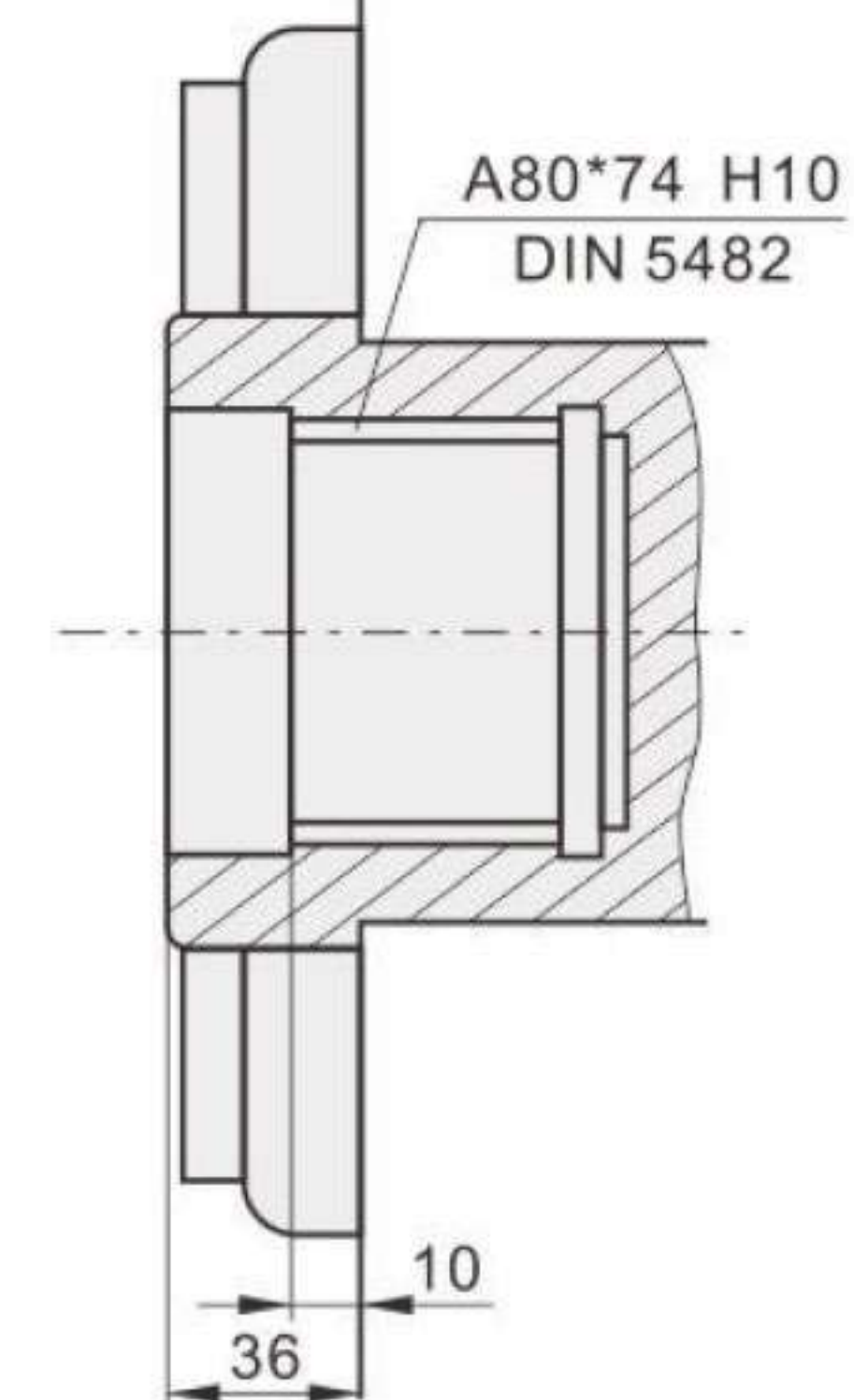
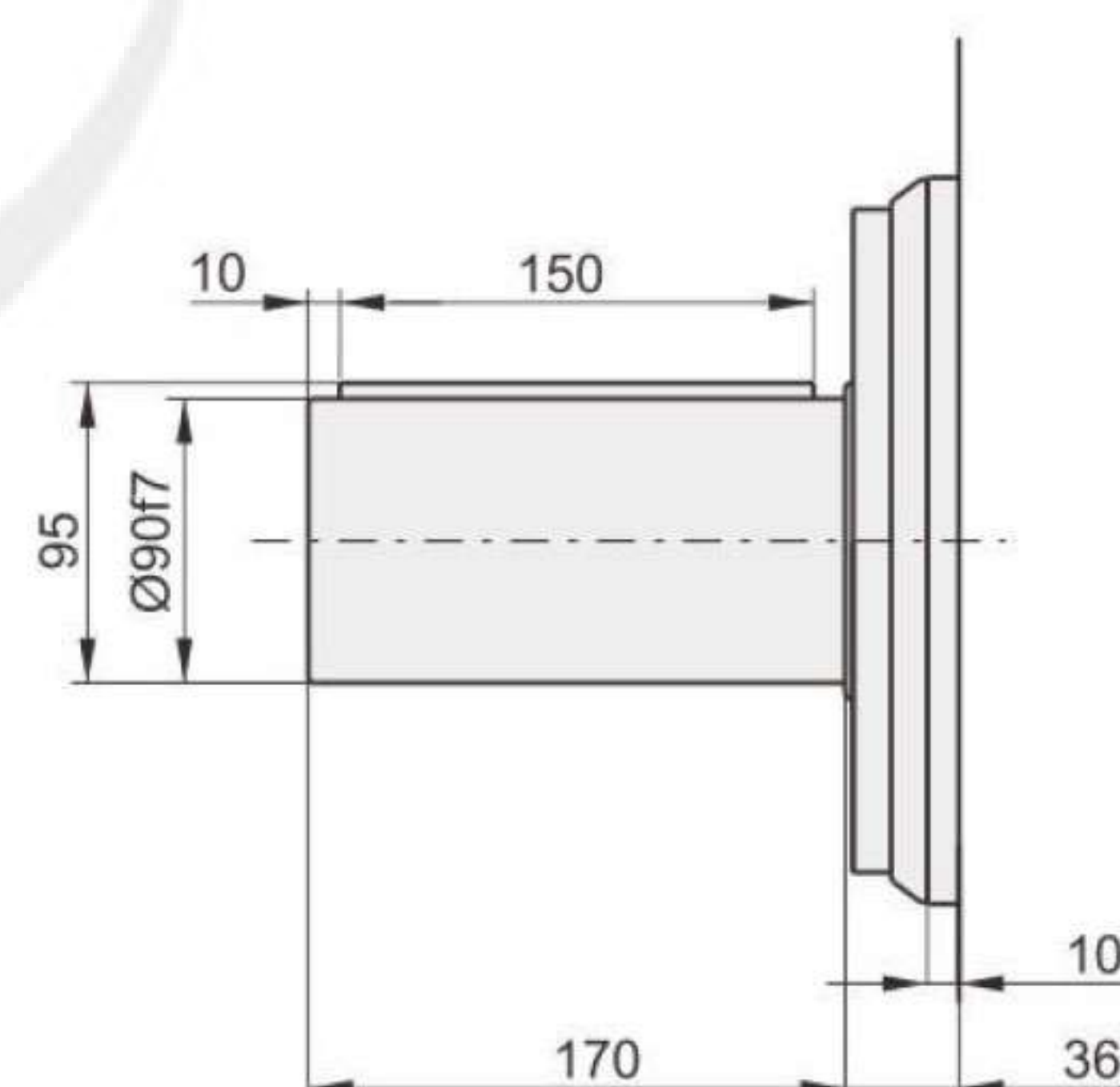
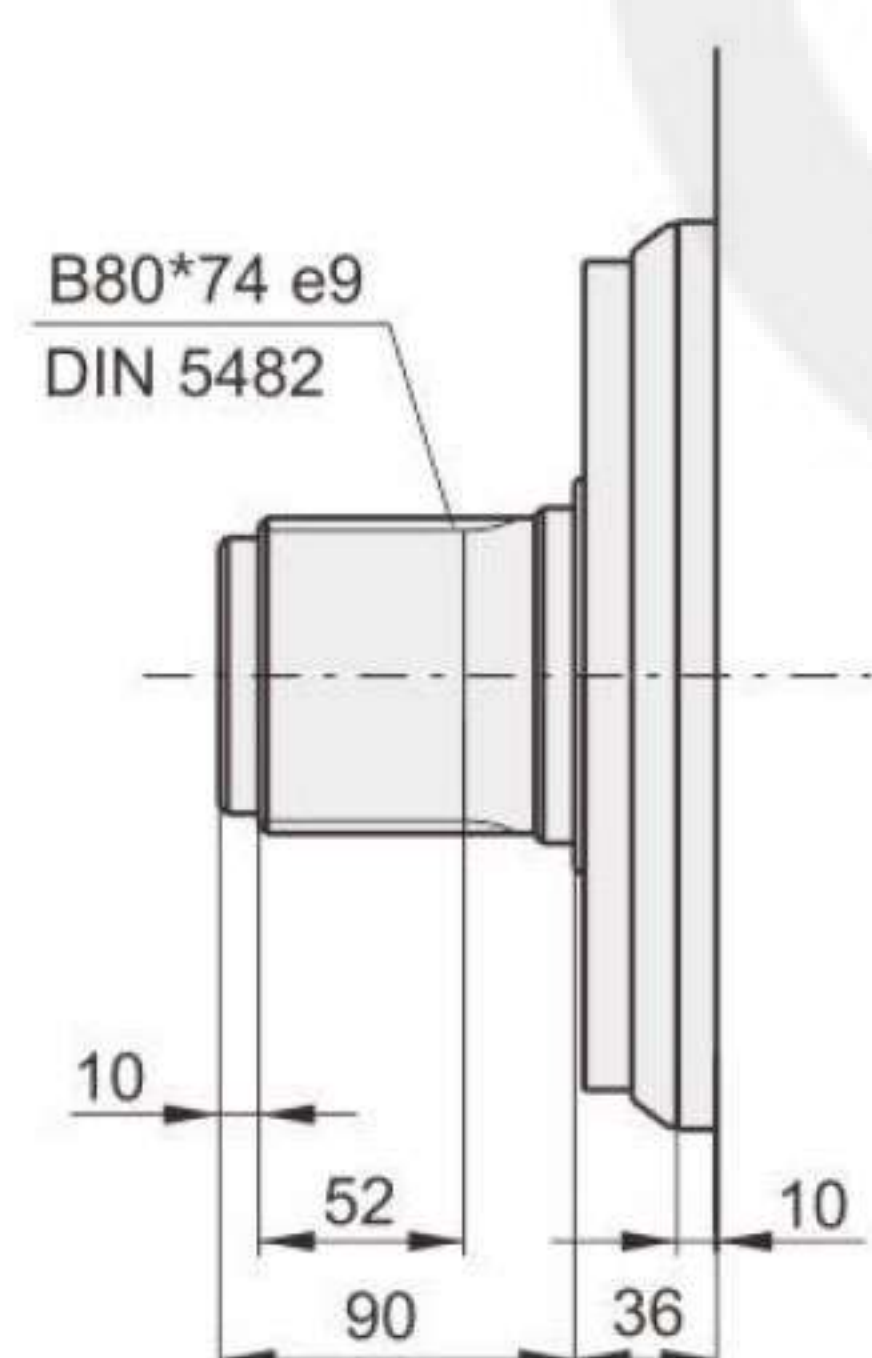
ZP307L3 外形尺寸图/ ZP307L3 Installation Dimensions



A轴/ A shaft

B轴/ B shaft

I轴/ I shaft



技术参数/ Technical data

型号 Model	传动比 Transmission ratio (i)	额定扭矩 Rated torque (N.m)	间歇扭矩 Intermittent torque (N.m)	速度范围 Speed range (rpm)	液压马达 Hydraulic motor	制动器扭矩 Static brake torque (N.m)	推荐输出齿轮 Recommended output gear
ZP307L2	14.7~36.6	12500	15000	3~16	BMS	20000	m=14,Z=14,X=0.5
ZP307L3	51.3~220	12500	15000	1~15	BMS	20000	m=14,Z=14,X=0.5

备注：具体的参数请与本公司技术部门联系。
Note: specific technical requirements, please contact the company's technical department.