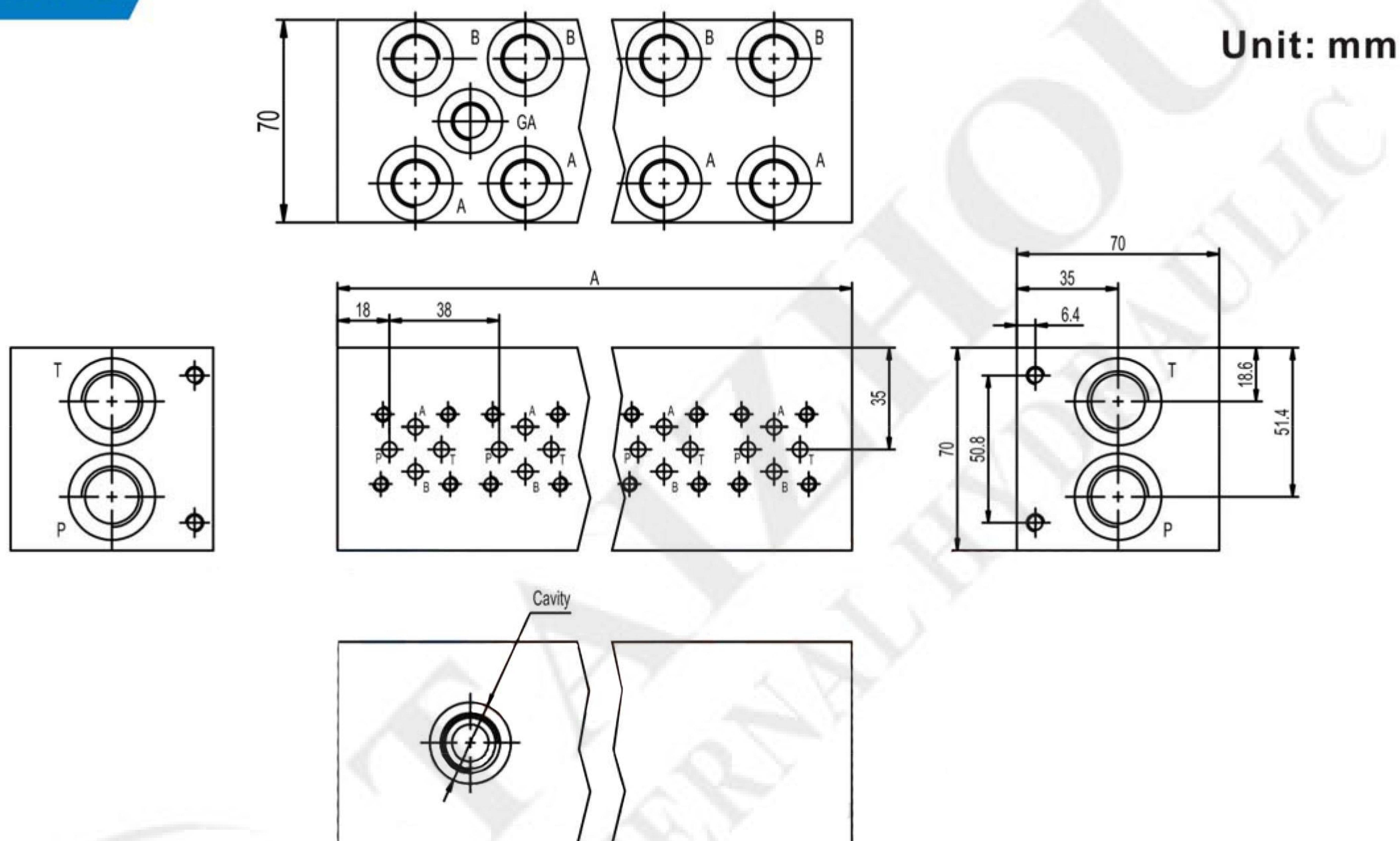


## Cetop 2 Standard Flow Parallel Circuit Manifold

### Dimensions



No. of stations	*1	2	3	4	5	6	7	8	9	10
"A" length (mm)	54	92.1	130.2	168.3	206.4	244.5	282.6	320.7	358.8	396.9
Apx. weight-aluminum (kgs)	0.65	1.11	1.57	2.03	2.49	2.95	3.41	3.87	4.33	4.79
Apx. weight-steel (kgs)	1.82	3.11	4.4	5.69	6.98	8.27	9.56	10.85	12.14	13.43

Remark: Length of 1 station with relief cavity is 79mm. Gauge port is not available on 1 station.

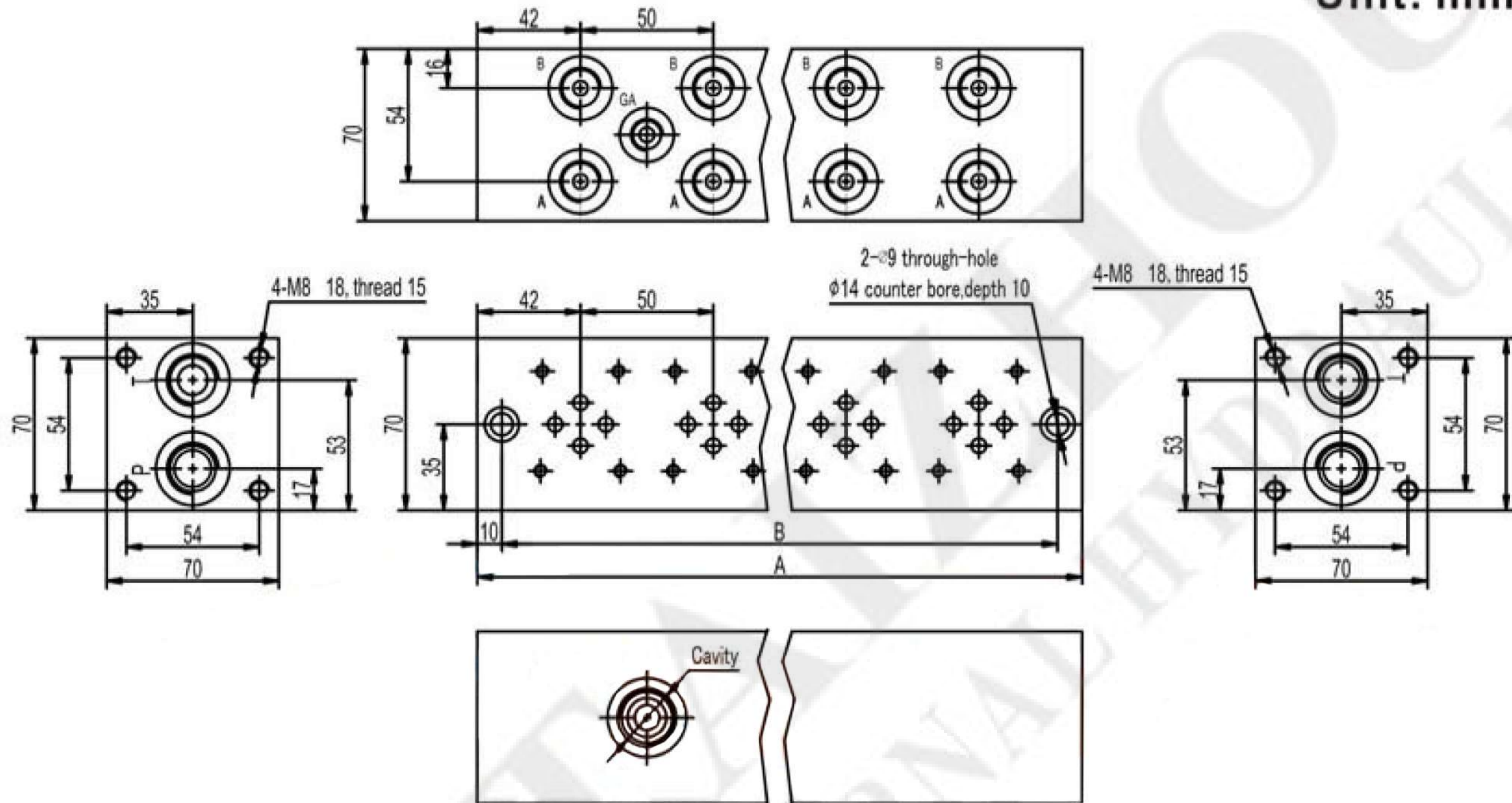
### How to order

D	02	P	2	G			C	
Material	Size	Circuit	No. of stations	Port thread	P & T	A & B	GA	Relief cavity
A: Aluminum D: Forged steel	NG4	Parallel circuit standard flow	1, 2, ... 10	G: BSP Z: NPT S: SAE M: ISO	1/2" 1/2" 8 M18	3/8" 3/8" 6 M14	1/4" 1/4" 6 None	No code: Without cavity C: With custom cavity

## Cetop 3 Standard Flow Parallel Circuit Manifold

### Dimensions

Unit: mm



No. of stations	*1	2	3	4	5	6	7	8	9	10
"A" length (mm)	84	134	184	234	284	334	384	434	484	534
"B" length (mm)	64	114	164	214	264	314	364	414	464	514
Apx. weight-aluminum (kgs)	1.01	1.62	2.23	2.84	3.45	4.06	4.67	5.28	5.89	6.5
Apx. weight-steel (kgs)	2.84	2.84	2.84	2.84	2.84	2.84	2.84	2.84	2.84	2.84

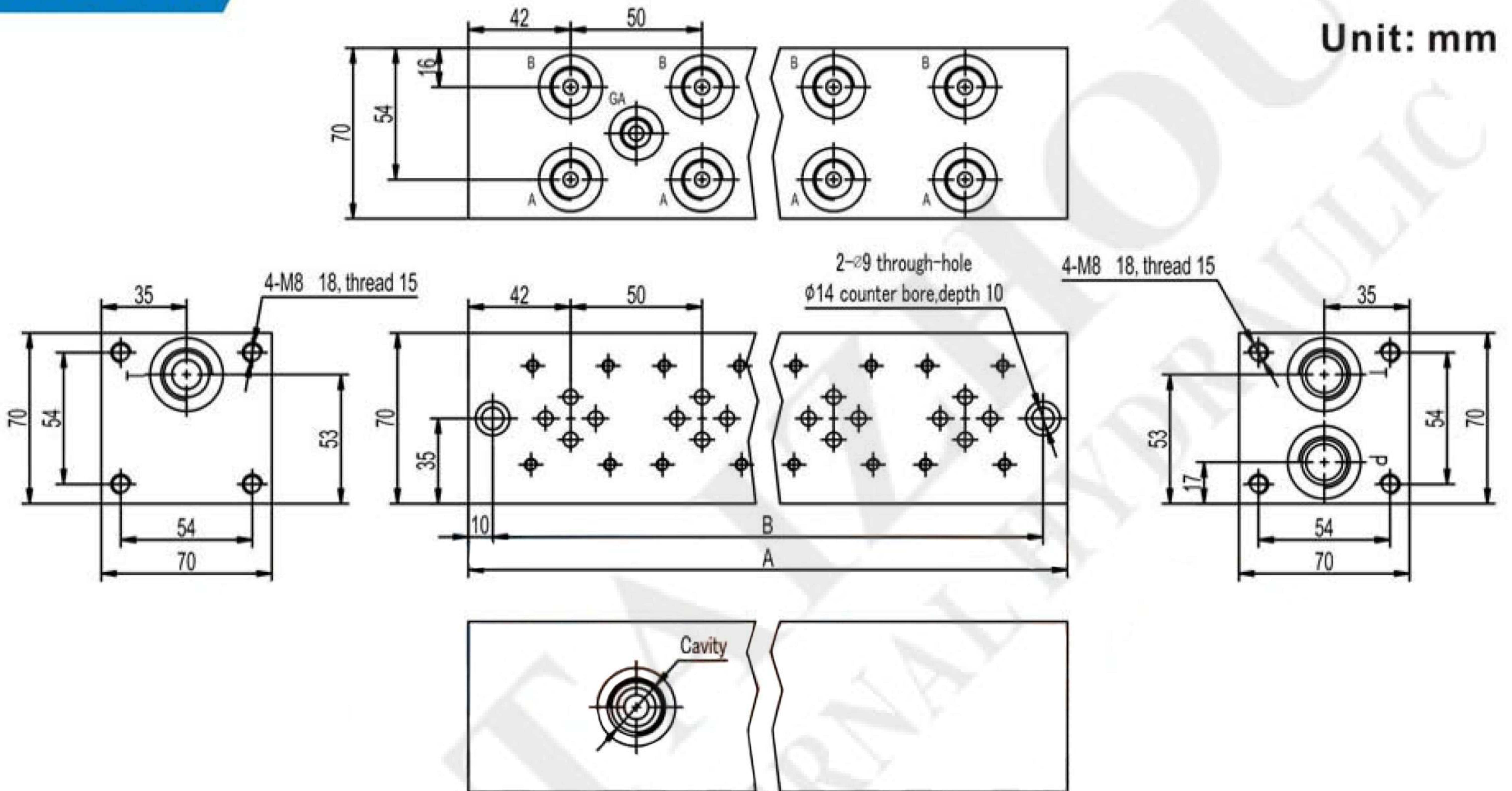
Remark: Gauge port is not available on 1 station.

### How to order

D	03	P	2	G			C	
Material	Size	Circuit	No. of stations	Port thread	P & T	A & B	GA	Relief cavity
A: Aluminum D: Forged steel	NG6	Parallel circuit standard flow	1, 2, ... 10	G: BSP Z: NPT S: SAE M: ISO	1/2" 1/2" 10 M22	3/8" 3/8" 8 M18	1/4" 1/4" 6 None	No code: Without cavity C: With custom cavity

## Cetop 3 Standard Flow Series Circuit Manifold

### Dimensions



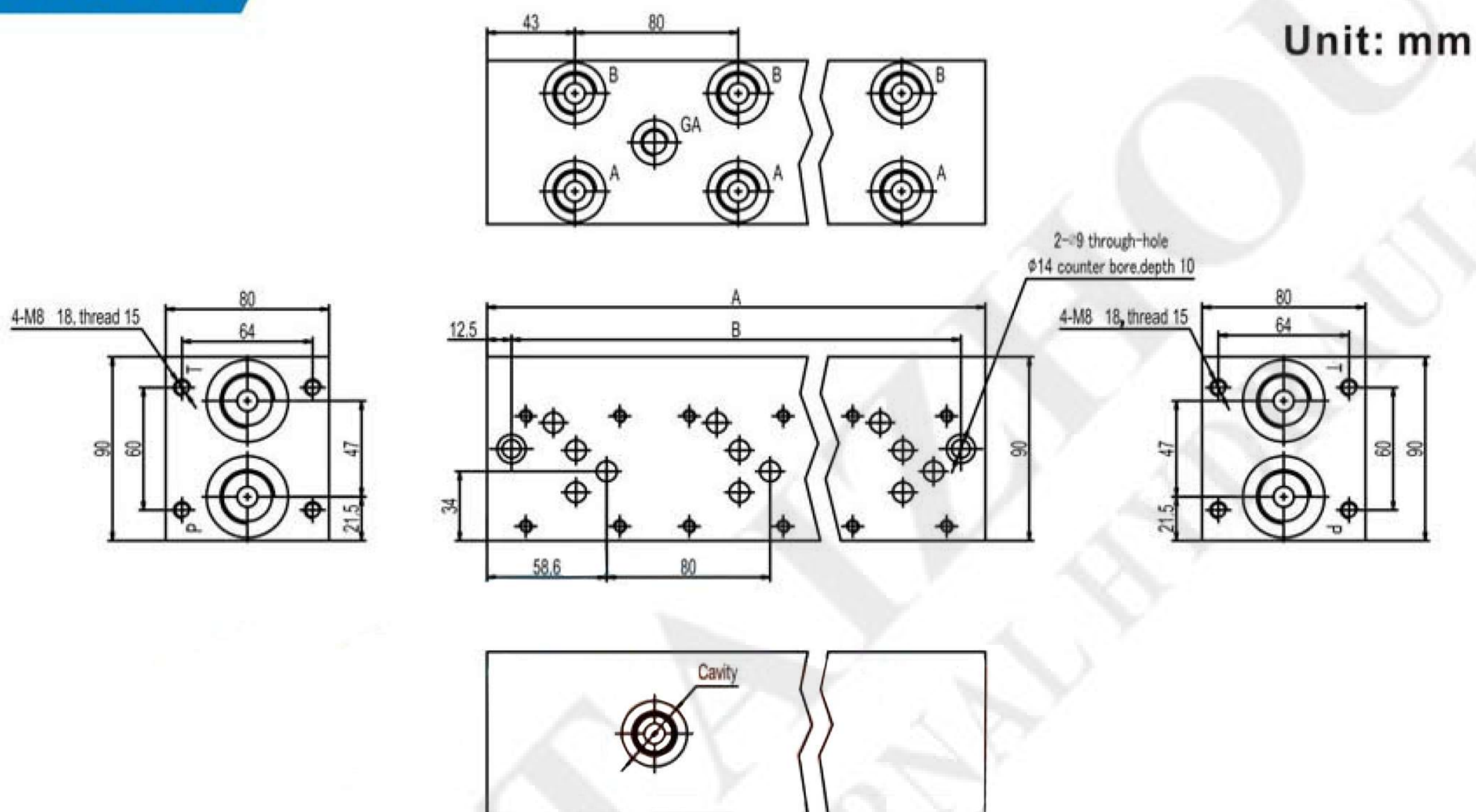
No. of stations	2	3	4	5	6	7	8	9	10
"A" length (mm)	134	184	234	284	334	384	434	484	534
"B" length (mm)	114	164	214	264	314	364	414	464	514
Apx. weight-aluminum (kgs)	1.62	2.23	2.84	3.45	4.06	4.67	5.28	5.89	6.5
Apx. weight-steel (kgs)	2.84	2.84	2.84	2.84	2.84	2.84	2.84	2.84	2.84

### How to order

D	03	S	2	G				C
Material	Size	Circuit	No. of stations	Port thread	P & T	A & B	GA	Relief cavity
A: Aluminum D: Forged steel	NG6	Series circuit standard flow	2, 3, 4	G: BSP Z: NPT S: SAE M: ISO	1/2" 1/2" 10 M22	3/8" 3/8" 8 M18	1/4" 1/4" 6 None	No code: Without cavity C: With custom cavity

## Cetop 5 Standard Flow Parallel Circuit Manifold

### Dimensions



No. of stations	*1	2	3	4	5	6	7	8	9	10
"A" length (mm)	86	166	246	326	406	486	566	646	726	806
"B" length (mm)	61	141	221	301	381	461	541	621	701	781
Apx. weight-aluminum (kgs)	1.72	3.31	4.9	6.49	8.08	9.67	11.26	12.85	14.44	16.03
Apx. weight-steel (kgs)	4.81	9.28	13.75	18.22	22.69	27.16	31.63	36.1	40.57	45.04

Remark: Length of 1 station with relief cavity is 110mm, gauge port is not available on 1 station.

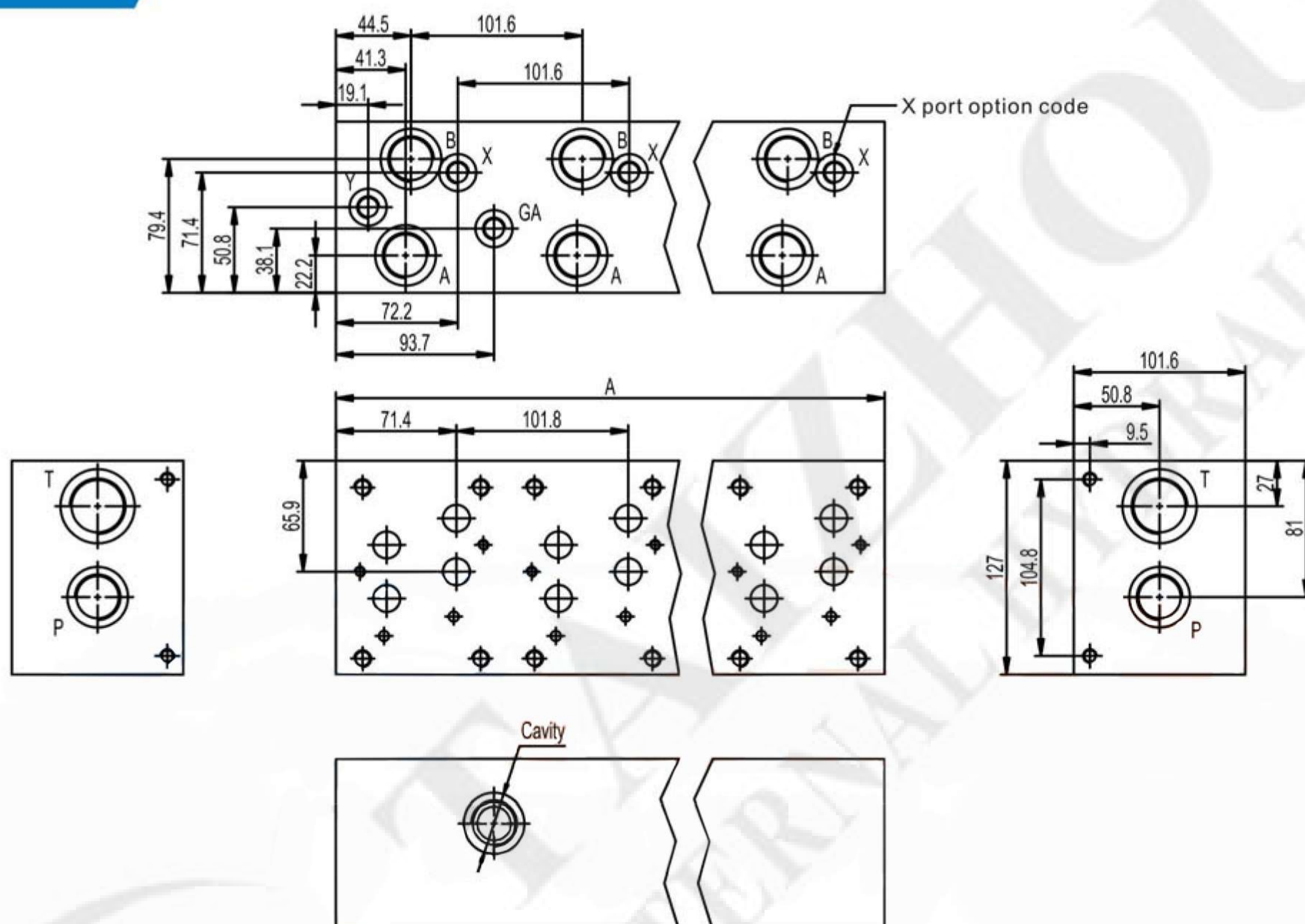
### How to order

D	05	P	2	G				C
Material	Size	Circuit	No. of stations	Port thread	P & T	A & B	GA	Relief cavity
A: Aluminum D: Forged steel	NG10	Parallel circuit standard flow	1, 2, ... 10	G: BSP Z: NPT S: SAE M: ISO	3/4" 3/4" 12 M27	1/2" 1/2" 8 M18	1/4" 1/4" 6 None	No code: Without cavity C: With custom cavity



## Cetop 7 Standard Flow Parallel Circuit Manifold

### Dimensions



No. of stations	*1	2	3	4	5	6	7	8	9	10
"A" length (mm)	101.6	203.2	304.8	406.4	508	609.6	711.2	812.8	914.4	1016
Apx. weight-aluminum (kgs)	4.24	8.48	12.72	16.96	21.2	25.44	29.68	33.92	38.16	42.4
Apx. weight-steel (kgs)	9.07	18.14	27.21	36.28	45.35	54.42	63.49	72.56	81.63	90.7

Remark: Length of 1 station with relief cavity is 140mm. Gauge port is not available on 1 station.

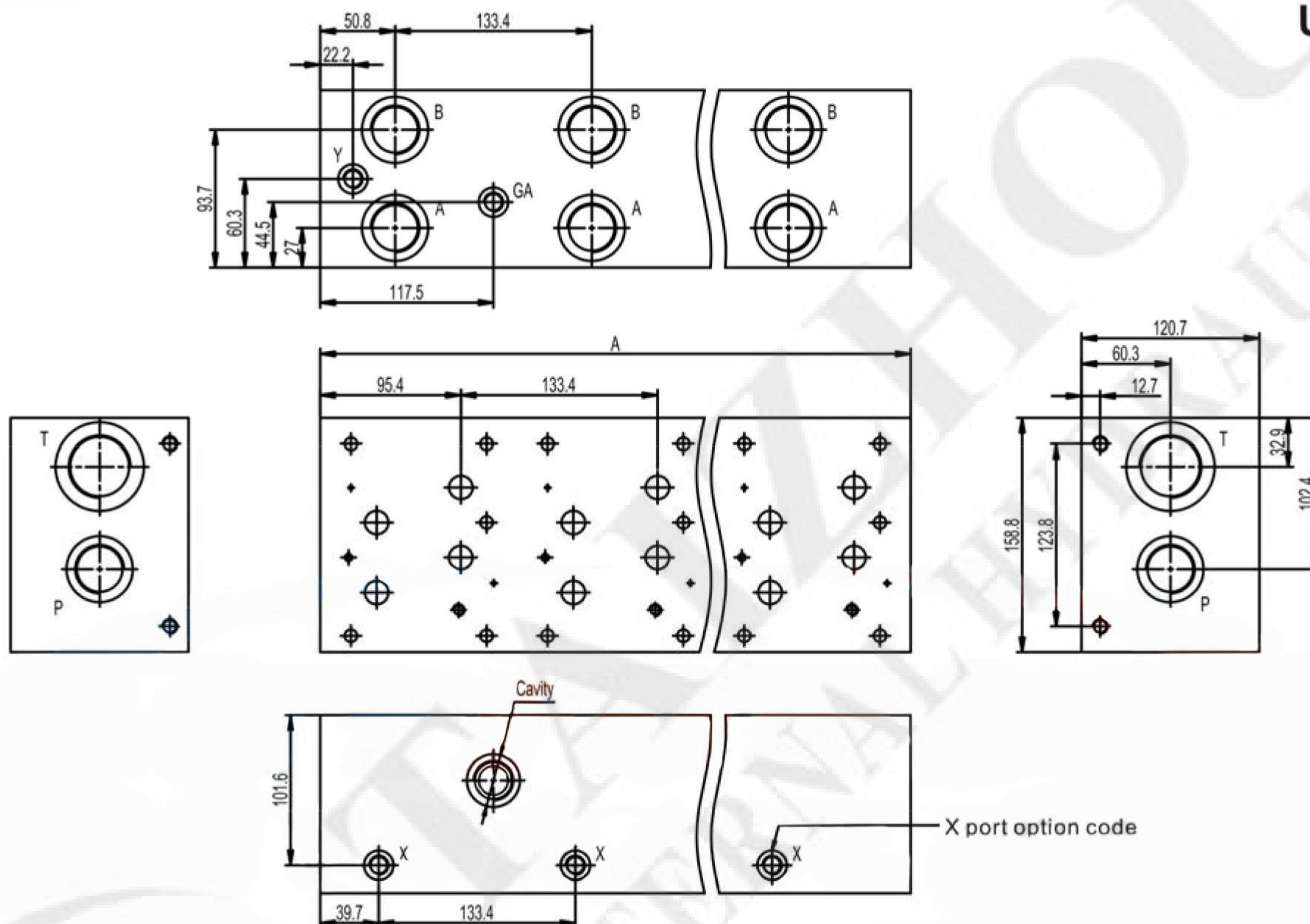
### How to order

D	07	P	2	G					X	C
Material	Size	Circuit	No. of stations	Port thread	P, A, B	T	Y	GA	X port option	Relief cavity
A: Aluminum D: Forged steel	NG16	Parallel circuit standard flow	1, 2, ... 8	G: BSP Z: NPT S: SAE M: ISO	3/4" 3/4" 12 M27	1" 1" 16 M33	3/8" 3/8" 6 M14	1/4" 1/4" 6 None	1/4" 1/4" 4 M10	No code: Without cavity C: With custom cavity

## Cetop 8 Standard Flow Parallel Circuit Manifold

### Dimensions

Unit: mm



No. of stations	*1	2	3	4	5	6	7
"A" length (mm)	133.4	266.7	400.1	533.4	666.8	800.1	933.5
Apx. weight-aluminum (kgs)	6.26	12.56	18.86	25.16	31.46	37.76	44.06
Apx. weight-steel (kgs)	17.59	35.17	52.75	70.33	87.91	105.49	123.07

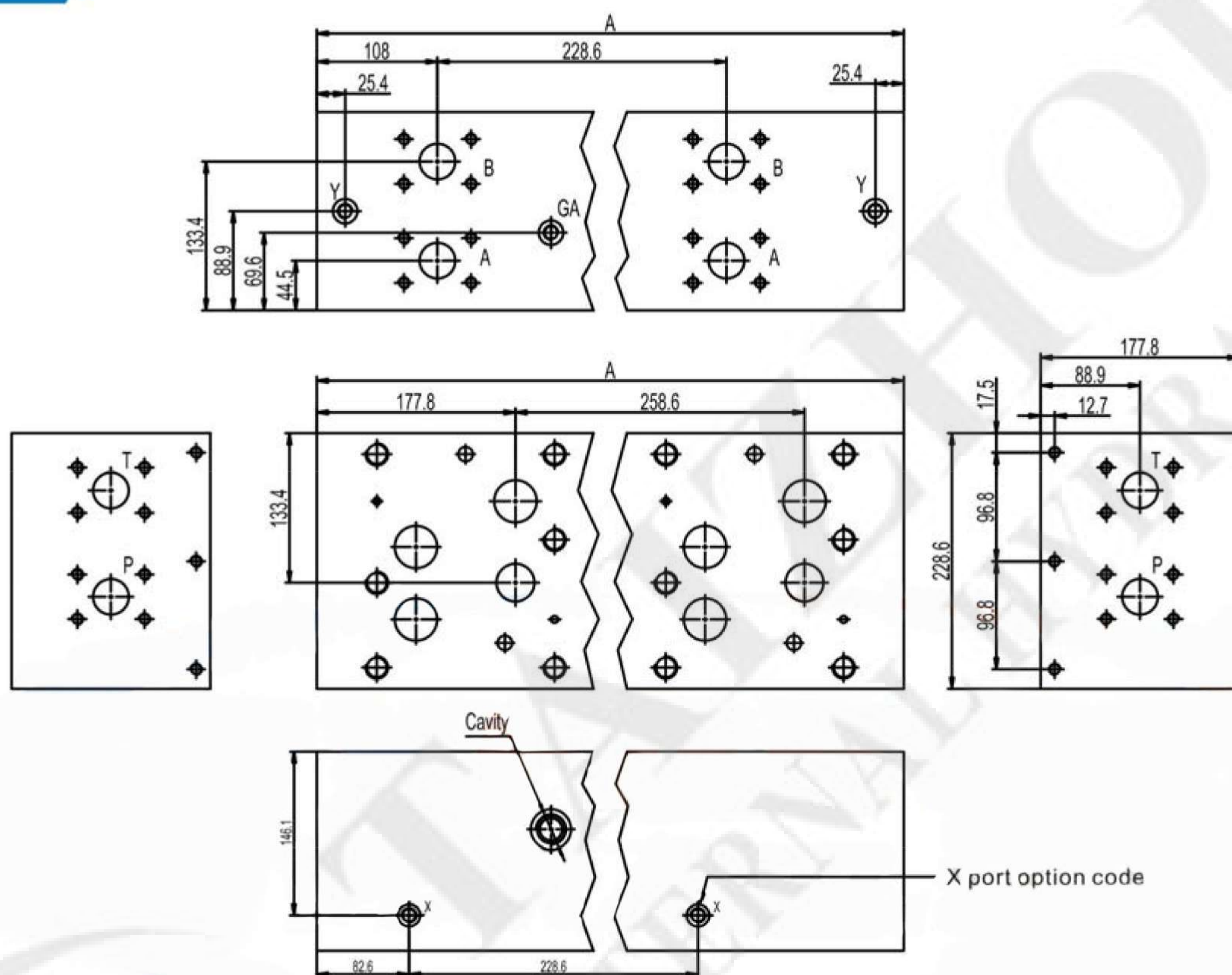
Remark: Gauge port is not available on 1 station.

### How to order

D	08	P	2	G					X	C
Material	Size	Circuit	No. of stations	Port thread	P, A, B	T	Y	GA	X port option	Relief cavity
A: Aluminum D: Forged steel	NG25	Parallel circuit standard flow	1, 2, ... 7	G: BSP Z: NPT S: SAE M: ISO	1" 1" 16 M33	1 1/4" 1 1/4" 20 M42	3/8" 3/8" 8 M14	1/4" 1/4" 6 None	1/4" 1/4" 4 M10	No code: Without cavity C: With custom cavity

## Cetop 10 Standard Flow Parallel Circuit Manifold

### Dimensions



No. of stations	*1	2	3	4	5
"A" length (mm)	254	482.6	711.2	939.8	1168.4
Apx. weight-aluminum (kgs)	25.5	48.5	71.5	94.5	117.5
Apx. weight-steel (kgs)	71.4	135.6	199.8	264	328.2

Remark: Gauge port is not available on 1 station.

### How to order

D	10	P	2	F					X		C
Material	Size	Circuit	No. of stations	Flange	P, A, B	T	Y	GA	X port option		Relief cavity
A: Aluminum D: Forged steel	NG32	Parallel circuit standard flow	1, 2, ... 4	F F/M	1 1/2" C.61	2" C.61	SAE-8 M16	SAE-6 None	SAE-6 M14	No code: Without X port	No code: Without cavity C: With custom cavity

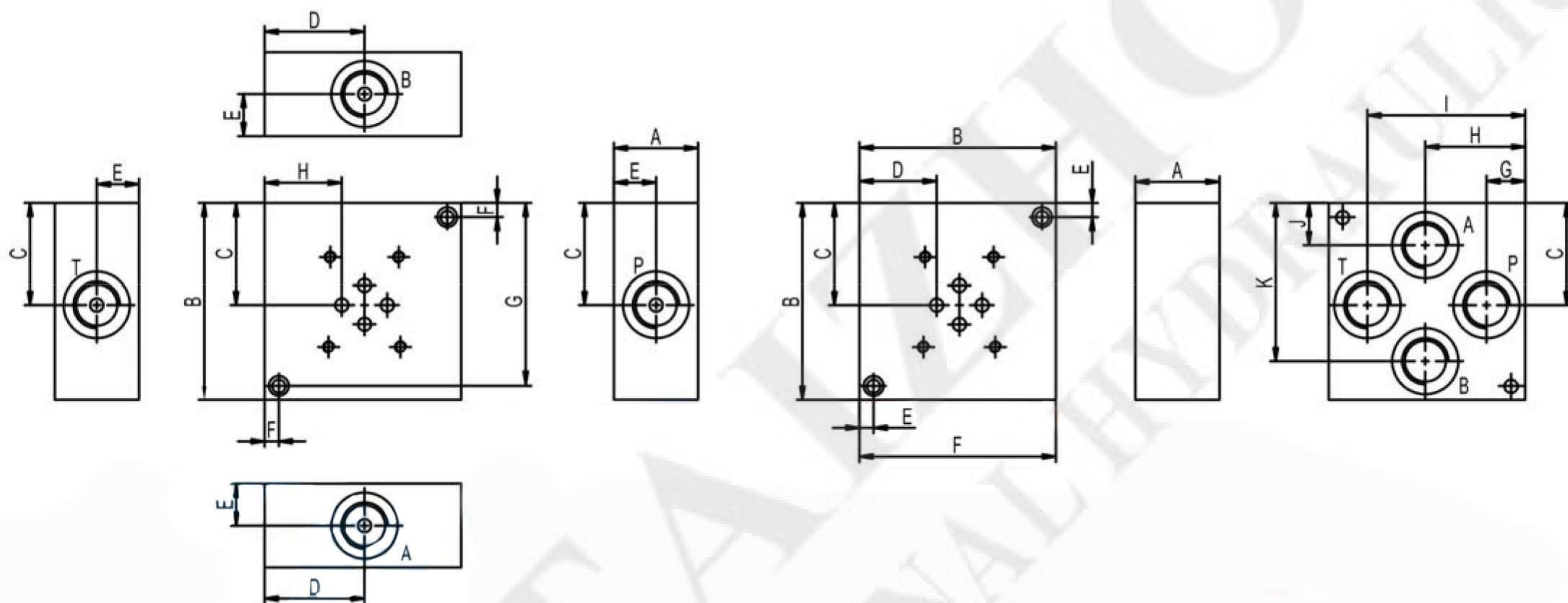
**Cetop 3 Subplate**

**Dimensions**

Unit: mm

**Side ported**

**Back ported**



Dimension	A	B	C	D	E	F	G	H
*03SPS6*	25.4	63.5	33.3	31.8	12.7	6.4	57.2	22.4
*03SPS8*	38.1	88.9	46	45.2	19.1	6.4	82.6	34.9
*03SPS12*	44.5	102	52.4	51.6	22.2	9.5	92.1	41.3

Dimension	A	B	C	D	E	F	G	H	I	J	K
*03SPB6G	25.4	63.5	31.8	21.4	6.4	57.2	13	31.8	50.4	13.2	50
*03SPB6(Z,S,M)	25.4	63.5	33.3	22.4	6.4	57.2	15.1	32.5	50	17.5	49.2
*03SPB8*	38.1	88.9	46	34.9	6.4	82.6	17.5	45.2	71.4	19.1	71.4
*03SPB12*	38.1	114	58.8	47.6	9.5	105	23.8	57.9	90.5	23.8	90.5

**How to order**

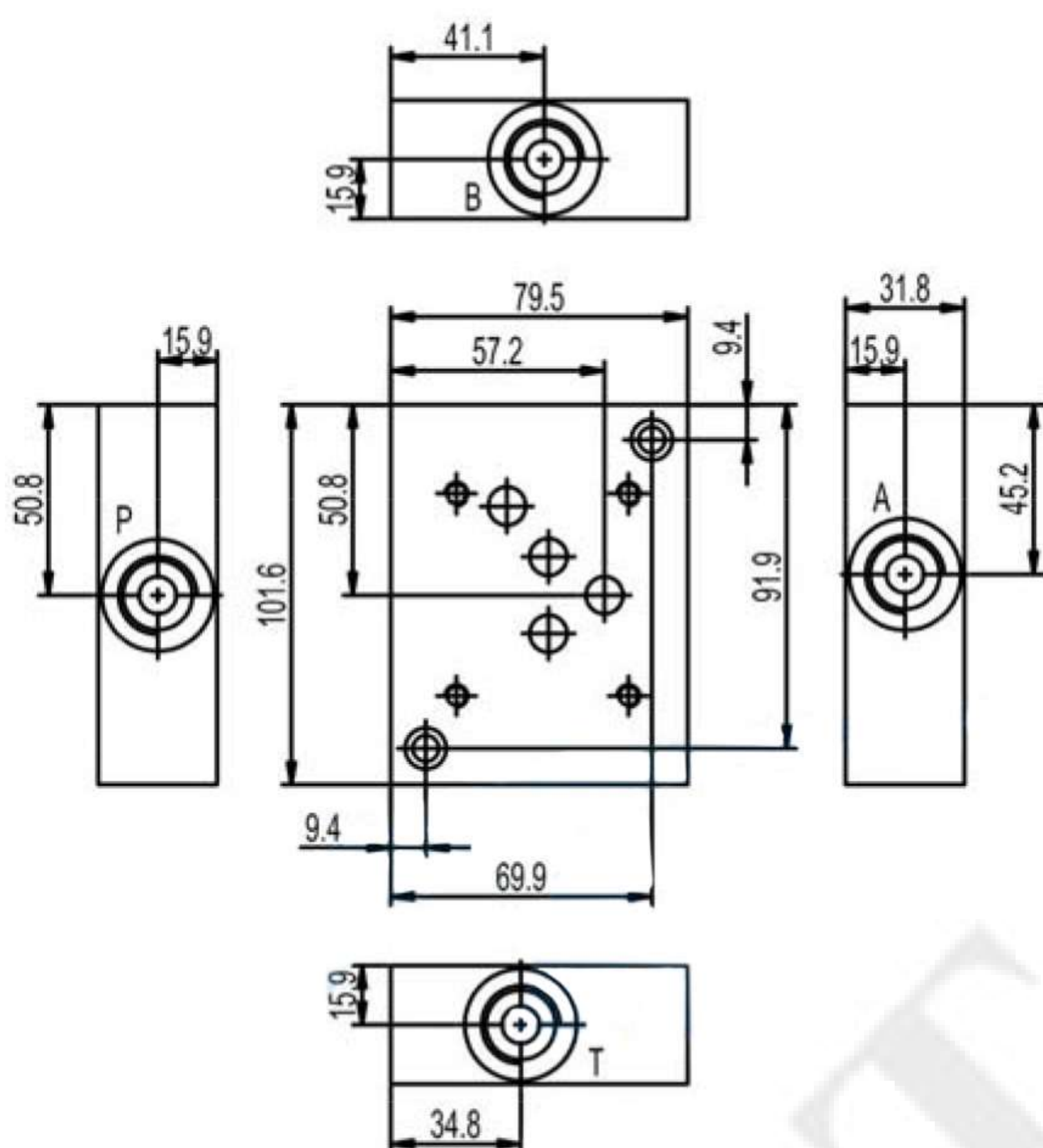
D	03	SP	S	6G		
Material	Size	Product type	Port location	Port thread & size		
A: Aluminum D: Forged steel	NG6	Subplate	S: Side ported B: Back ported	6G: BSP 3/8" 6Z: NPT 3/8" 6S: SAE 6 6M: ISO M14	8G: BSP 1/2" 8Z: NPT 1/2" 8S: SAE 8 8M: ISO M18	12G: BSP 3/4" 12Z: NPT 3/4" 12S: SAE 12 12M: ISO M27

Cetop 5 Subplate

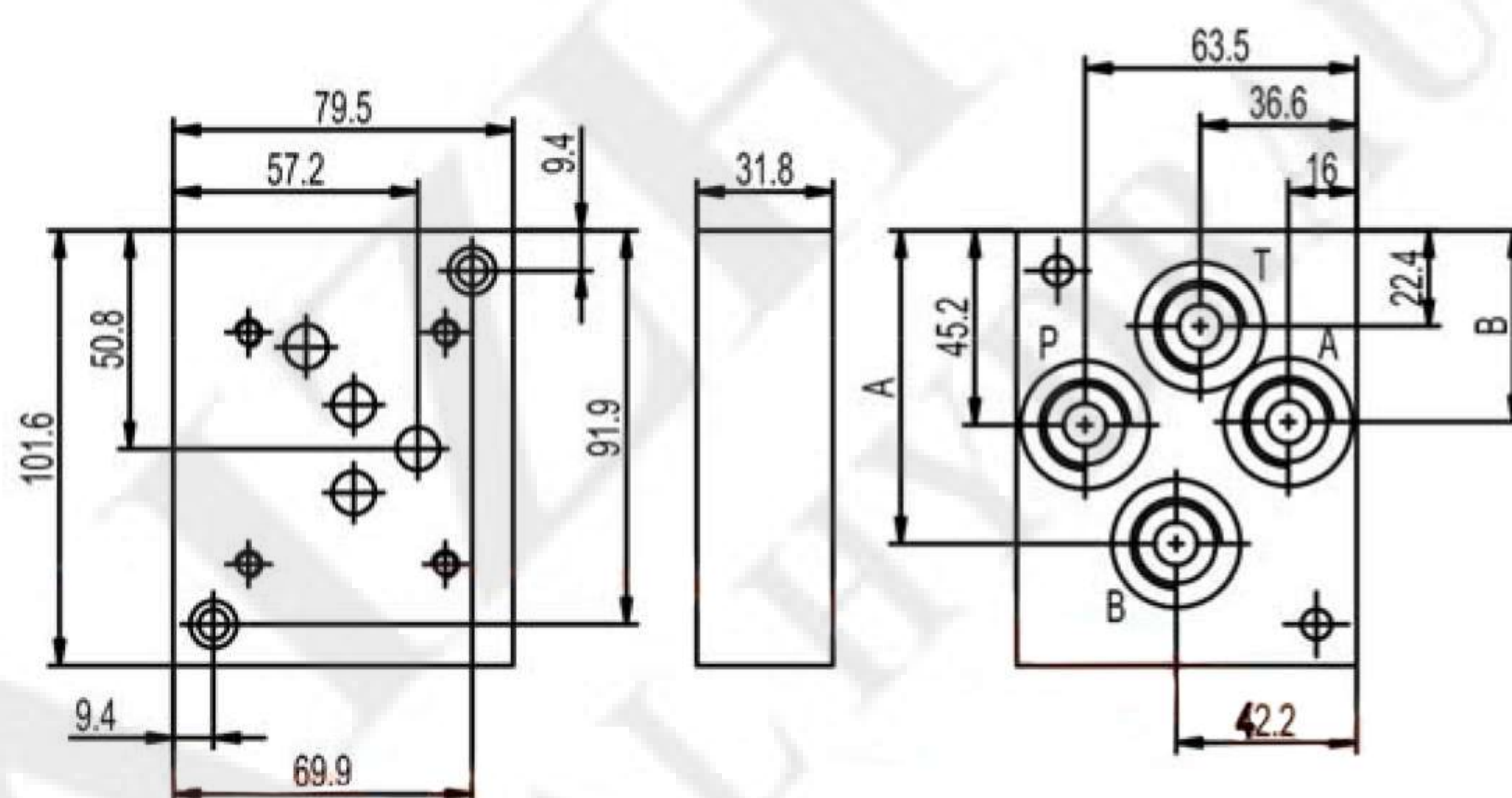
Dimensions

Unit: mm

Side ported



Back ported



Dimension	A	B
*05SPSB8G	74.6	50.8
*05SPSB8(Z,S,M)	66.8	44.5

How to order

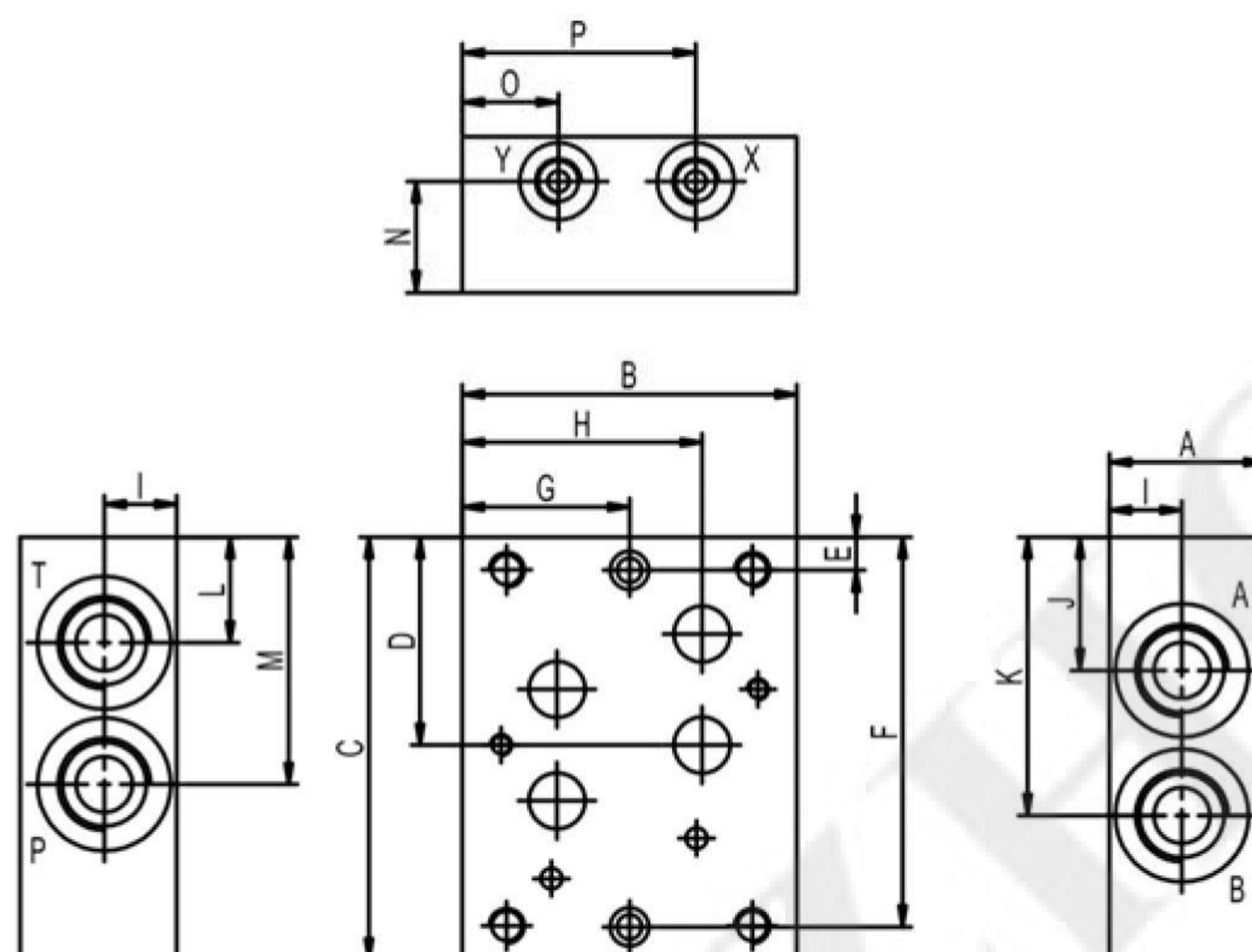
D	05	SP	S	8G
Material	Size	Product type	Port location	Port thread & size
A: Aluminum D: Forged steel	NG10	Subplate	S: Side ported B: Back ported	8G: BSP 1/2" 8Z: NPT 1/2" 8S: SAE 8 8M: ISO M18

**Cetop 7 Subplate**

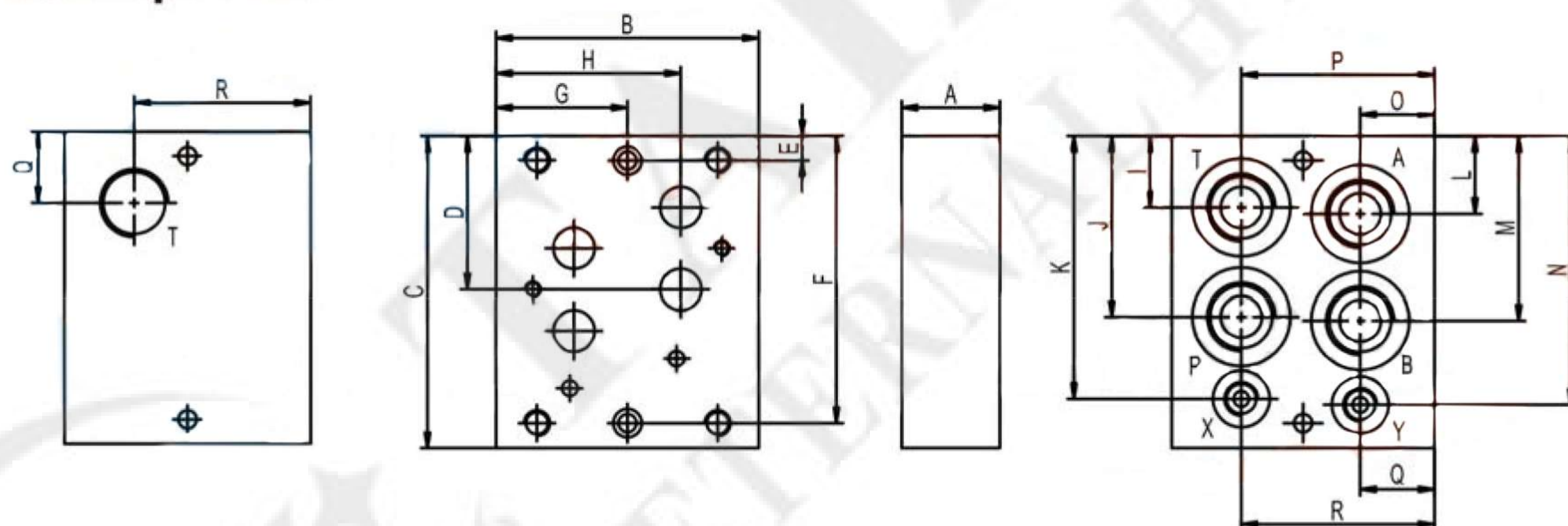
**Dimensions**

Unit: mm

**Side ported**



**Back ported**



Dimension	A	B	C	D	E	F	G	H	I	J	K	L	M	N	O	P	Q	R
*07SPSO12*	44.5	95.3	121	59.4	9.5	111	47.8	68.3	20.6	38.1	79.5	30.2	70.6	31.8	28.4	66.5	—	—
*07SPST12*	44.5	95.3	121	59.4	9.5	111	47.8	68.3	20.6	38.1	79.5	—	70.6	31.8	28.4	66.5	27.7	68.3
*07SPSO16*	76.2	127	140	75.4	12.7	127	63.5	84.2	29.5	46	105	30.2	88.9	60.3	44.5	82.6	—	—
*07SPB12G	38.1	102	121	59.4	9.5	111	50.8	71.4	27.7	69.9	102	30.2	71.4	104	28.7	74.7	28.7	74.7
*07SPB12(Z,S,M)	38.1	102	121	59.4	9.5	111	50.8	71.4	27.7	71.4	102	31.8	73.9	104	28.7	74.7	28.7	74.7
*07SPB16*	69.9	127	152	75.4	12.7	140	63.5	84.2	31.8	88.9	135	34.9	92.1	135	34.9	92.1	41.3	87.3

**How to order**

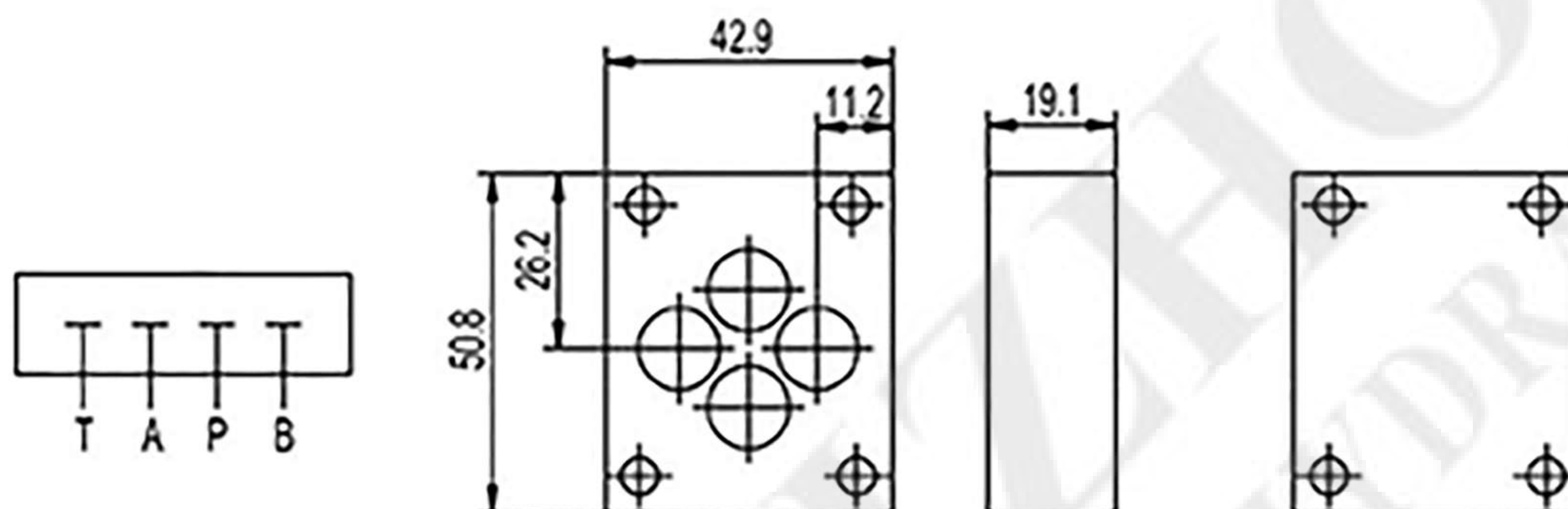
D	07	SP	SO	12G
Material	Size	Product type	Port Location	Port Thread & Size
A: Aluminum D: Forged steel	NG16	Subplate	SO: Side ported ST: Side P, A, B ports back T port (for 12Z & 12S only) B: Back ported	12G: BSP 3/4" 12Z: NPT 3/4" 12S: SAE 12 12M: ISO M27 16G: BSP 1" 16Z: NPT 1" 16S: SAE-16 16M: ISO M33

**Cetop 3 Cover Plate**

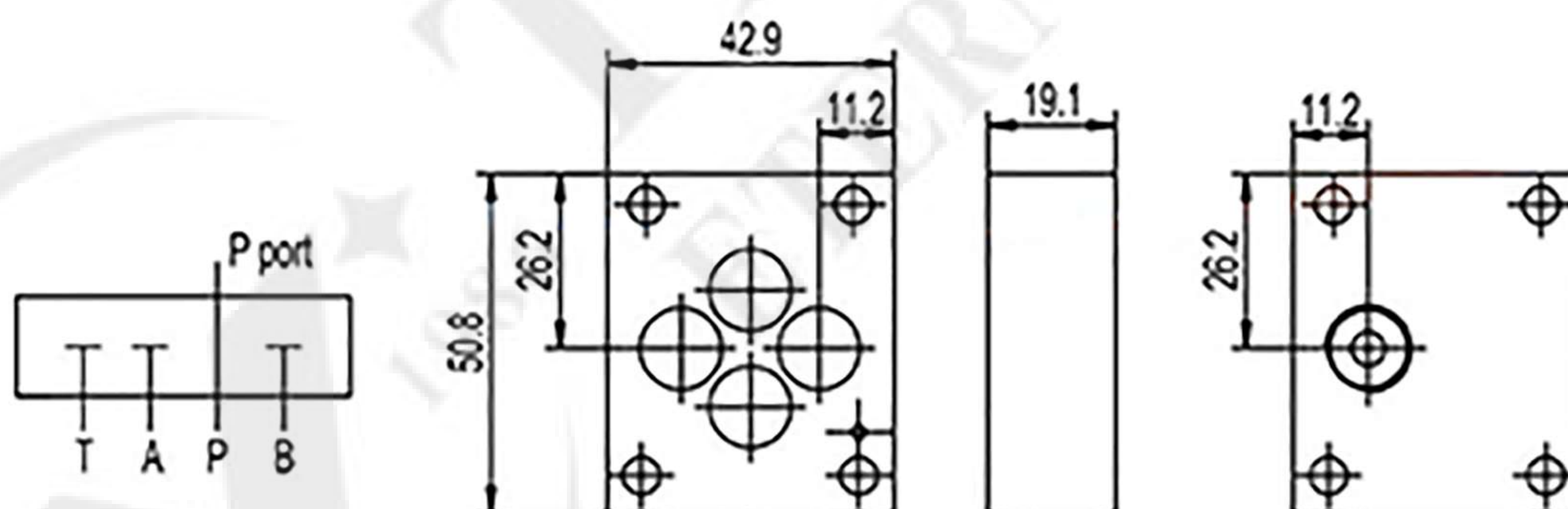
**Dimensions**

Unit: mm

**Standard cover plate**



**Cover plate with gauge port**



**How to order**

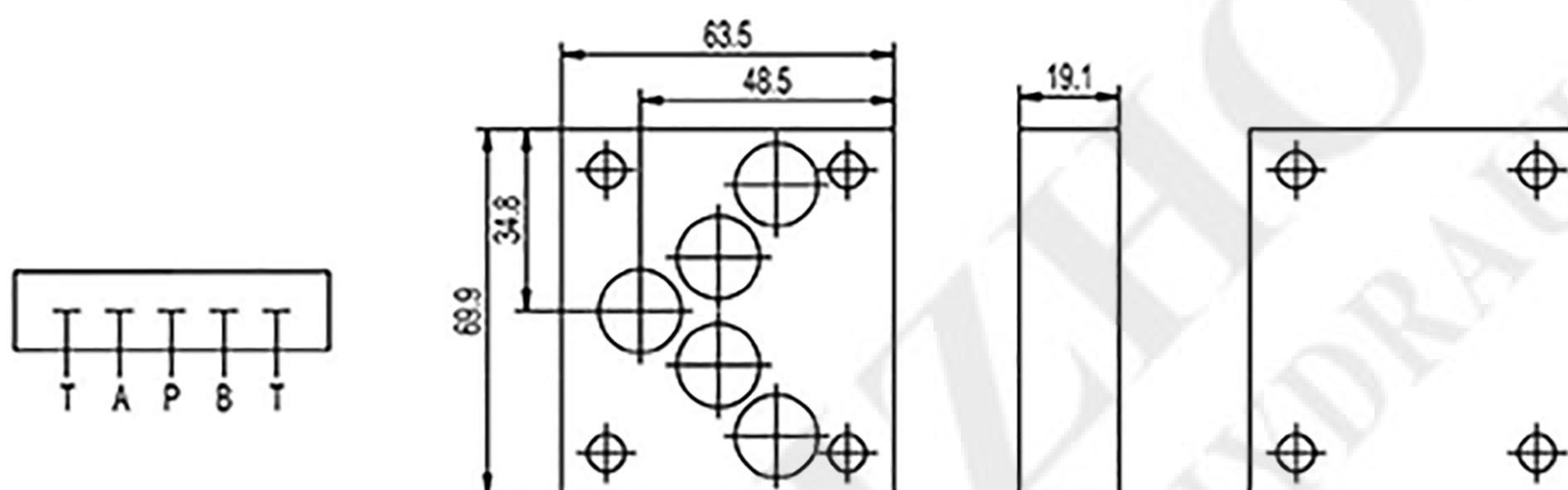
D	03	CP	G
Material	Size	Product type	Gauge port
A: Aluminum D: Forged steel	NG6	Cover plate	No code: Without gauge port G: BSP 1/8" Z: NPT 1/8"

## Cetop 5 Cover Plate

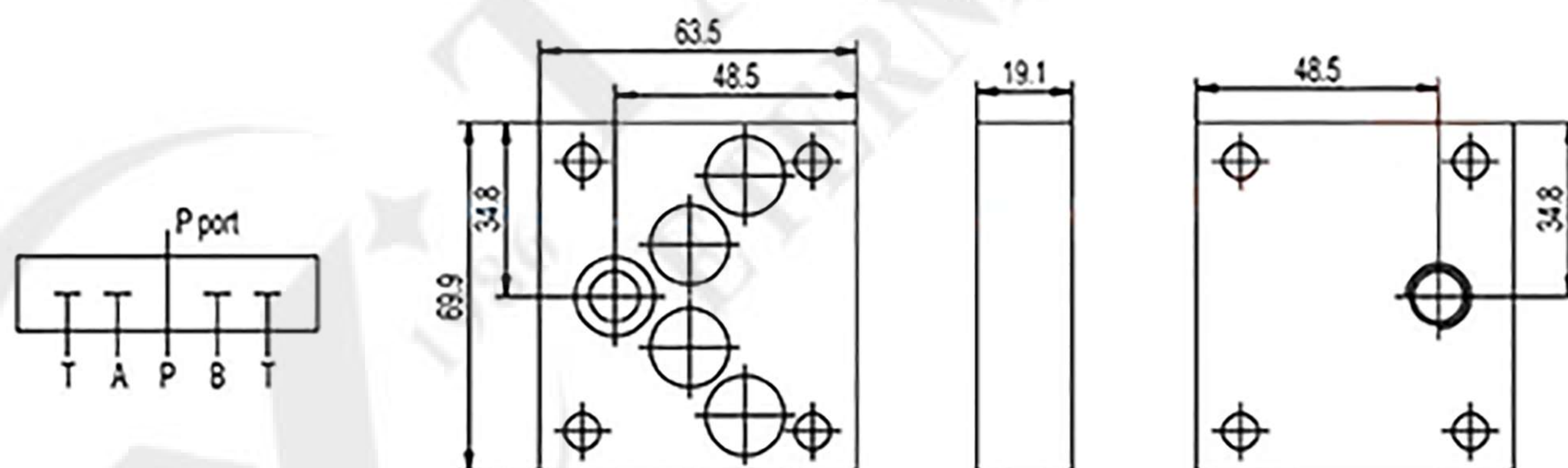
### Dimensions

Unit: mm

#### Standard cover plate



#### Cover plate with gauge port



### How to order

D	05	CP	G
Material	Size	Product type	Gauge port
A: Aluminum D: Forged steel	NG10	Cover plate	No code: Without gauge port G: BSP 1/4" Z: NPT 1/4"