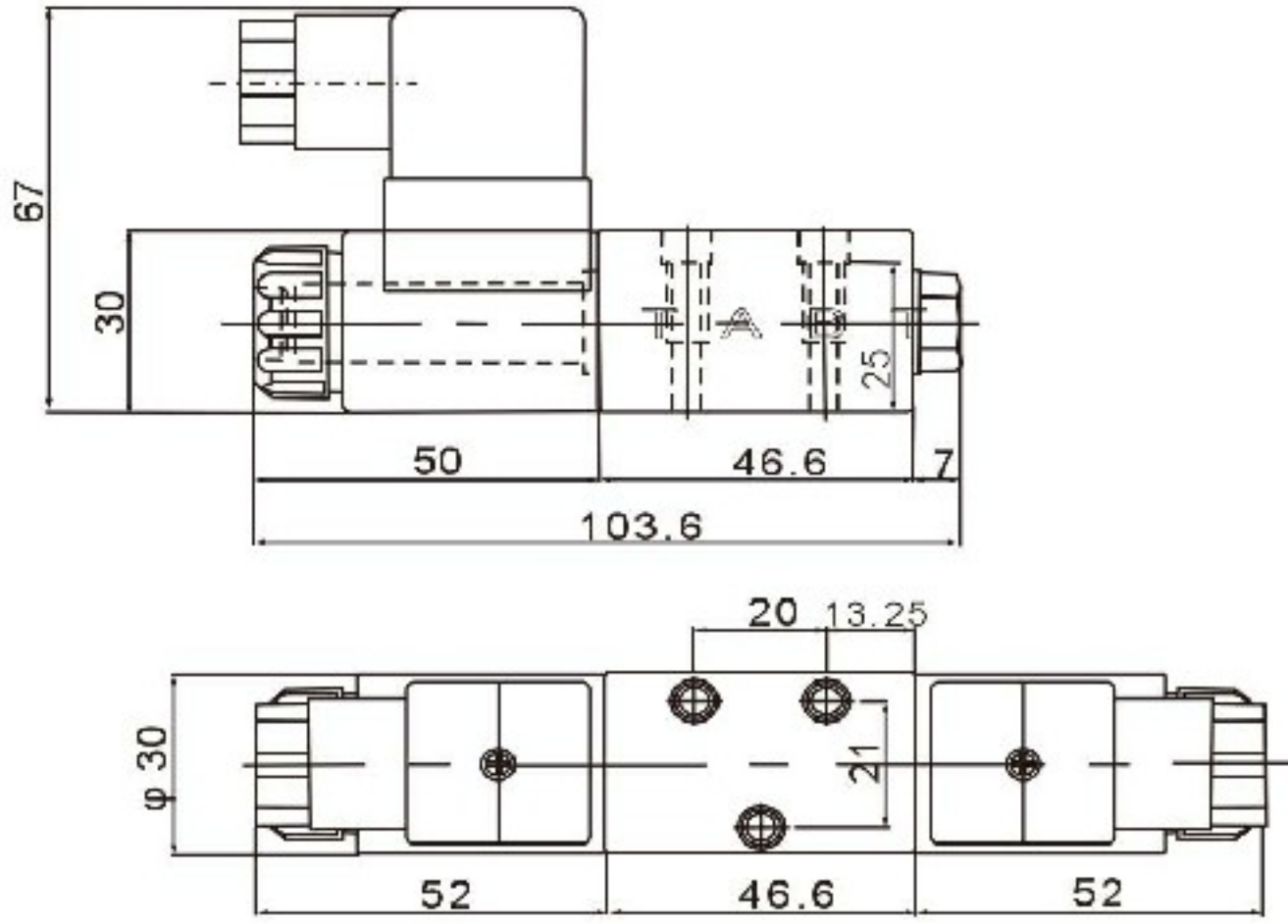




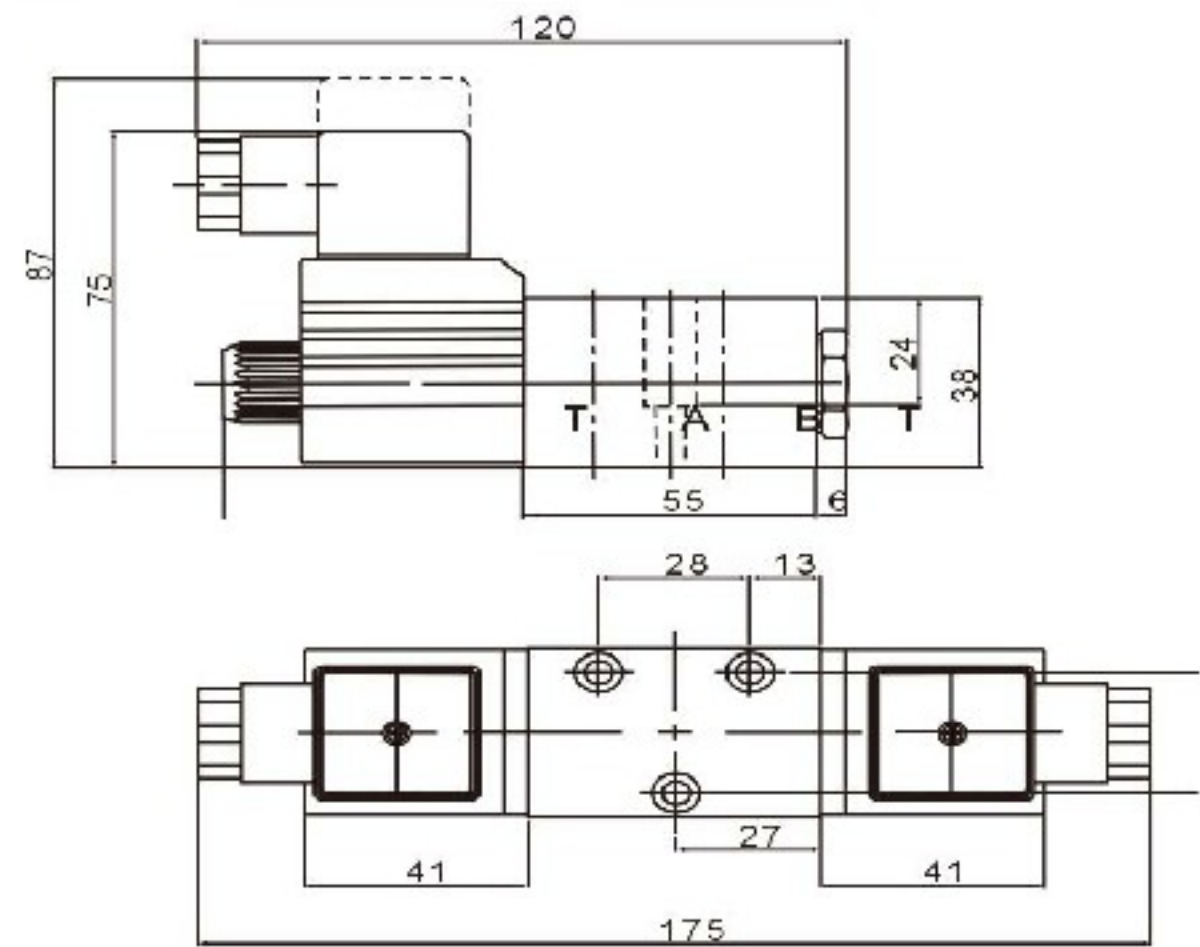
Dimensions

Unit: mm

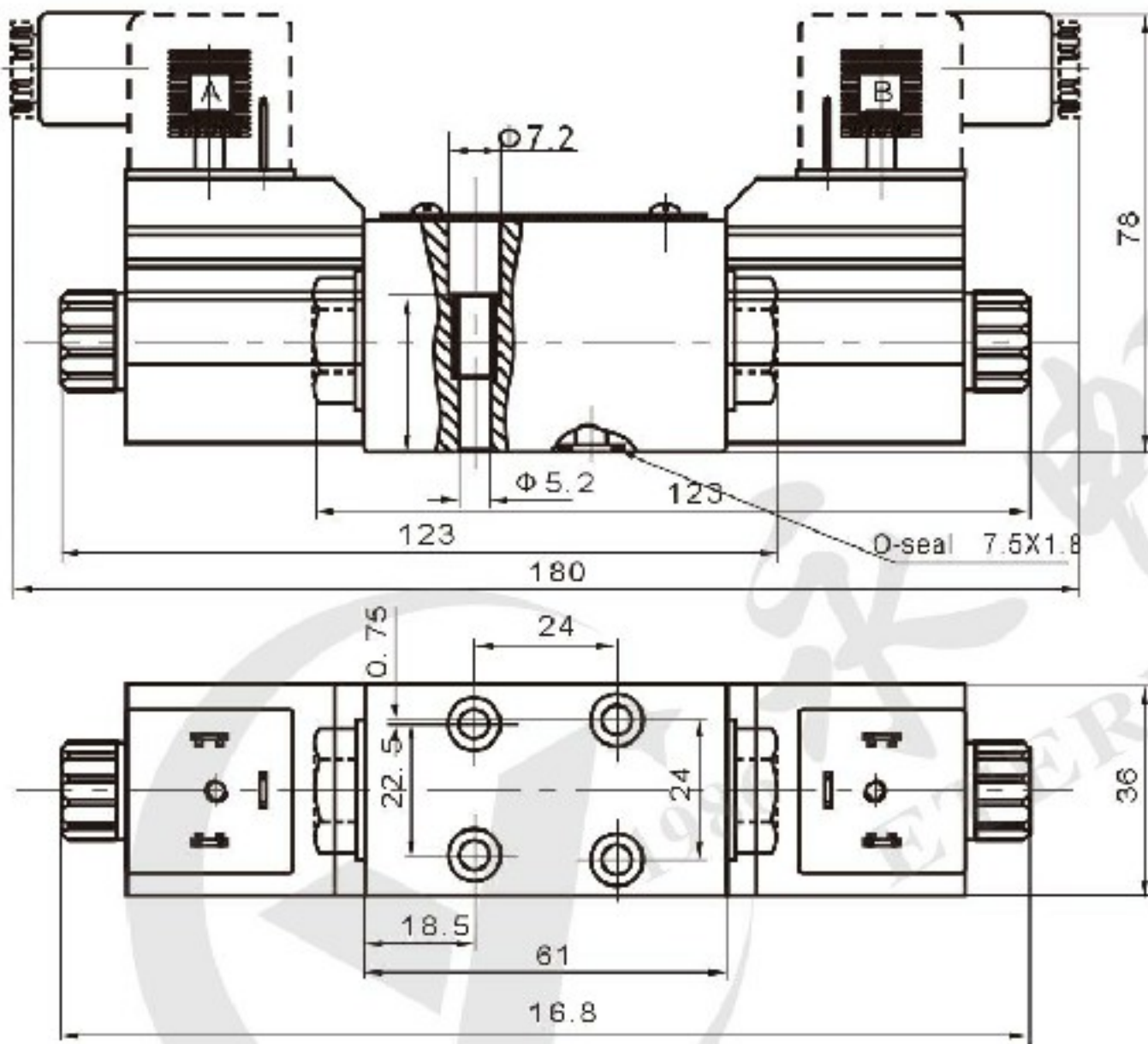
4WE3



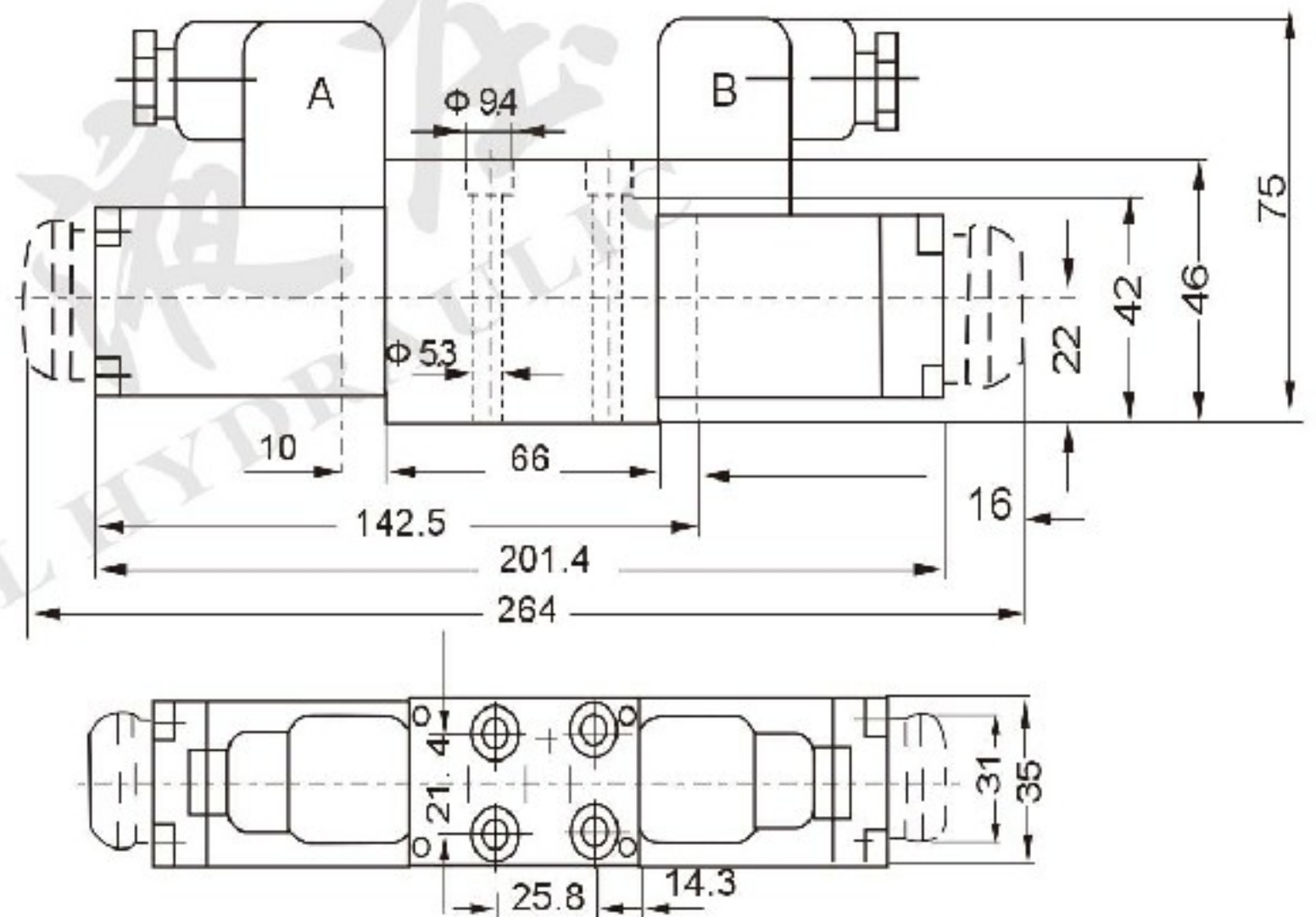
4WE4



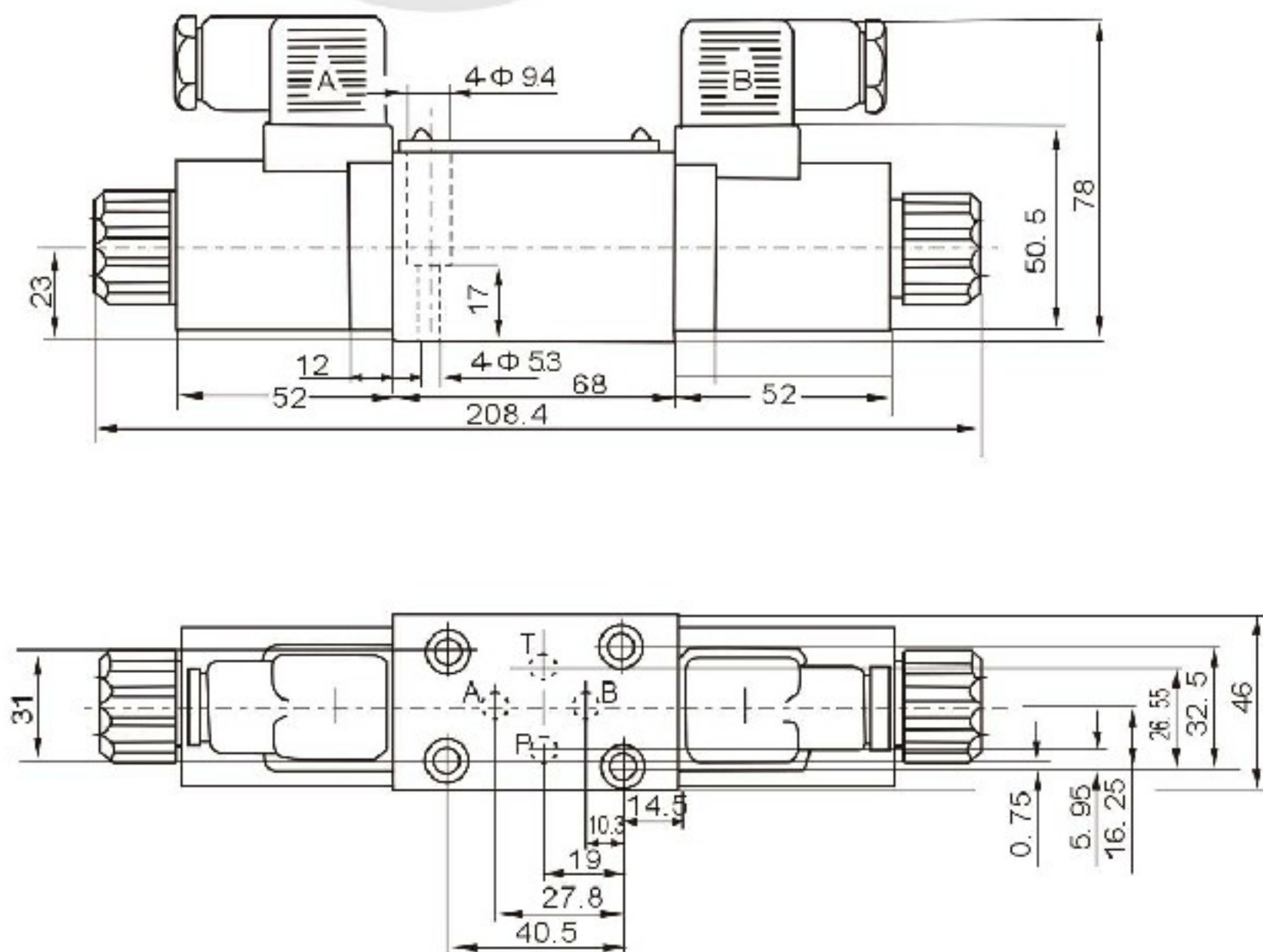
4WE4



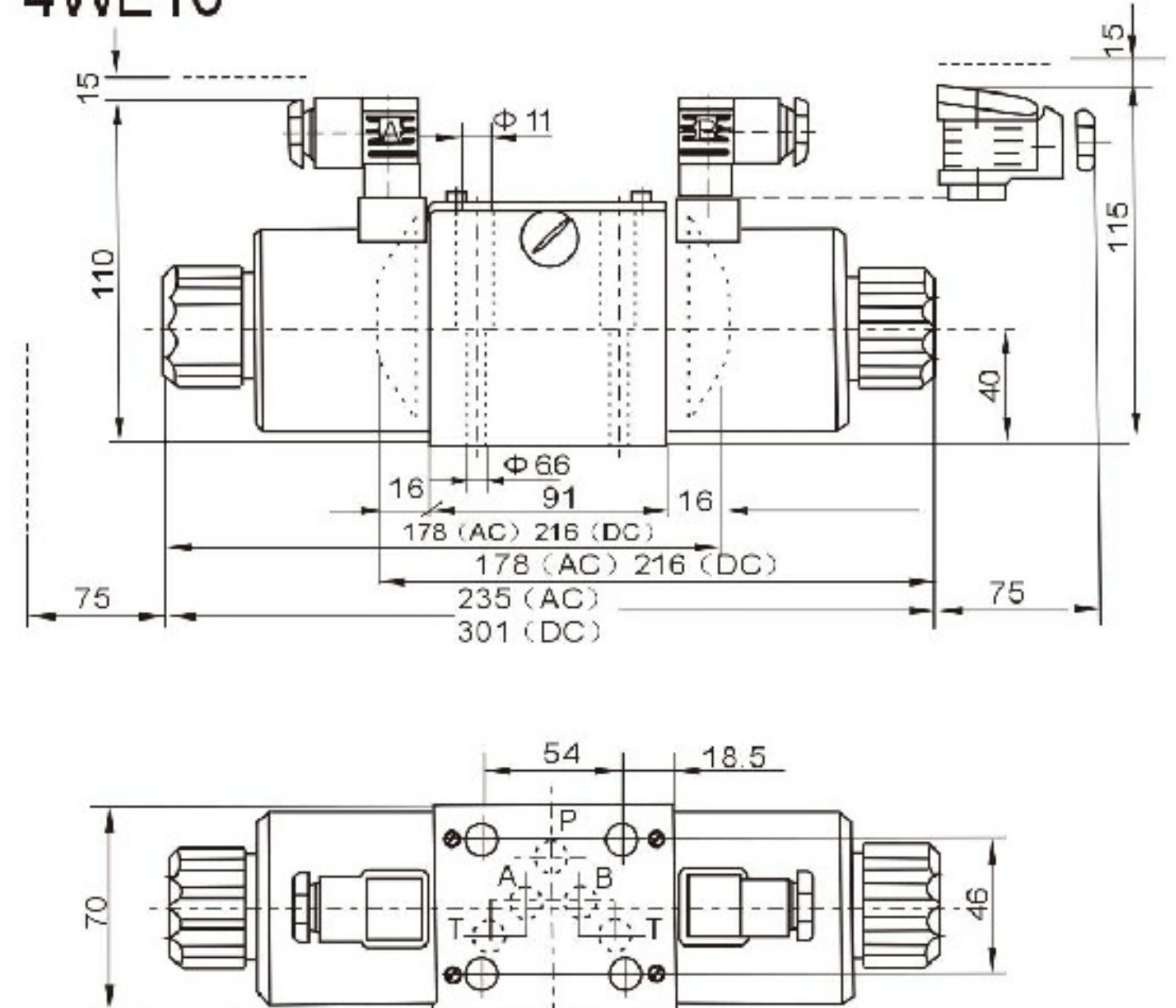
4WE5



4WE6



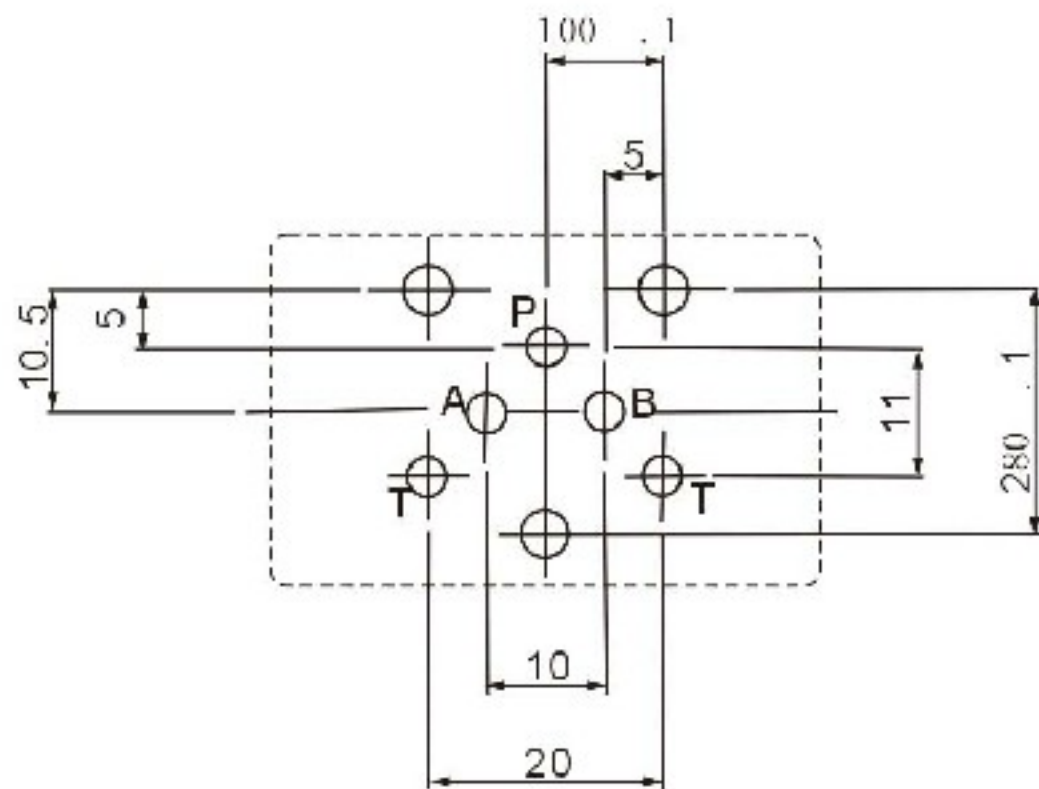
4WE10



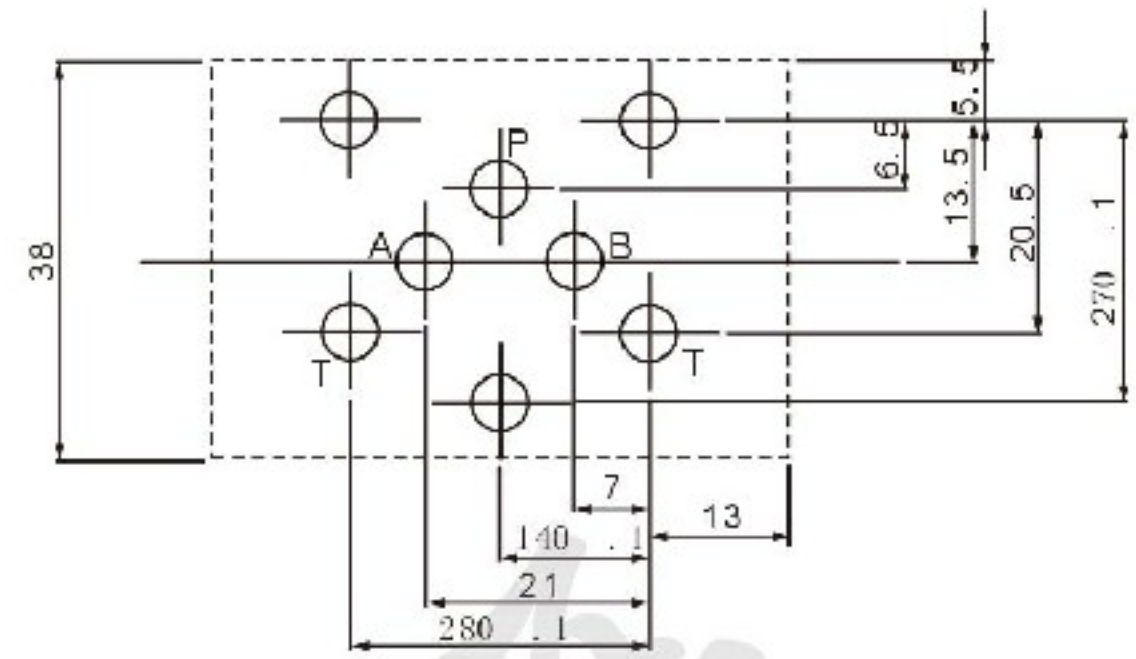
Mounting dimensions

Unit: mm

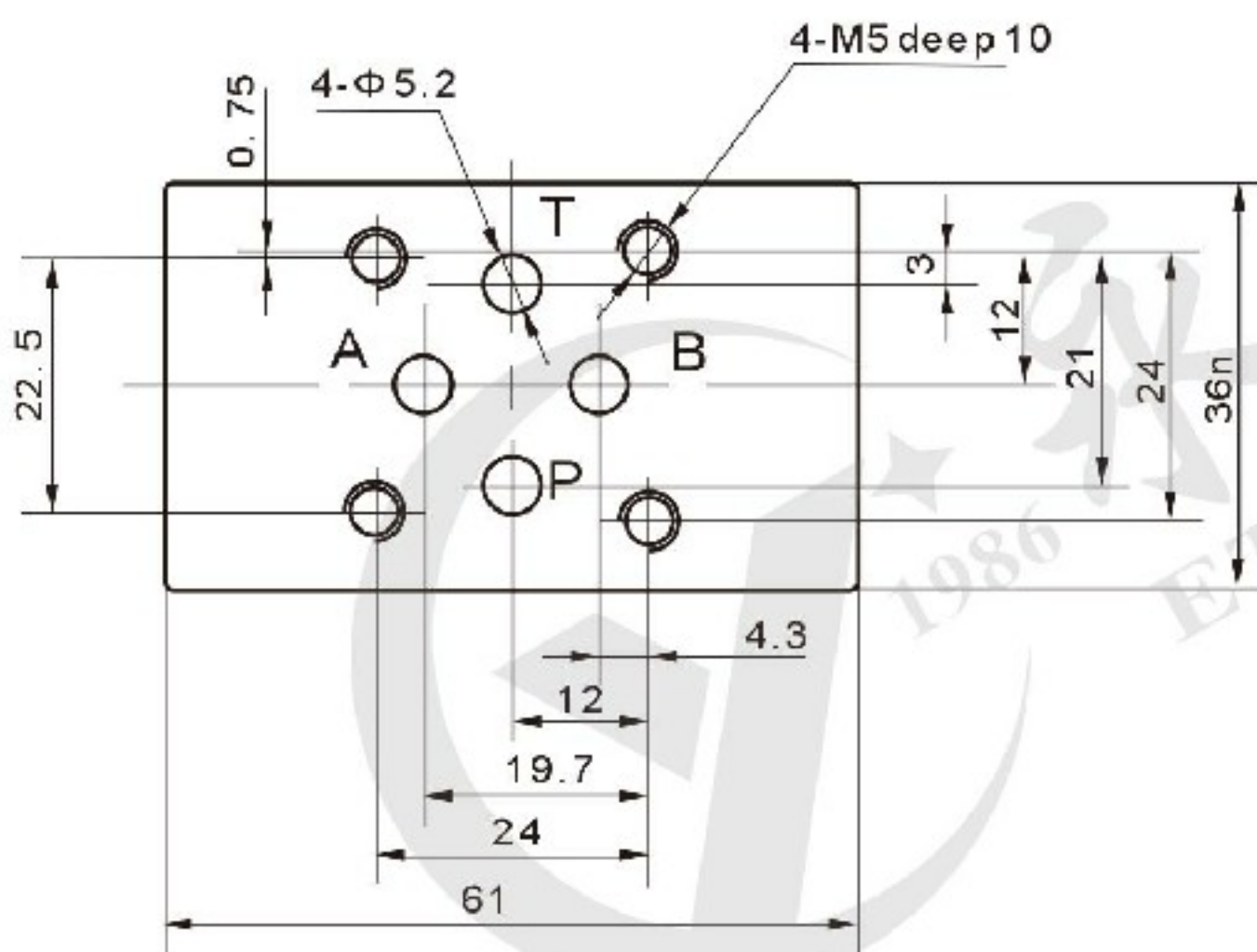
4WE3



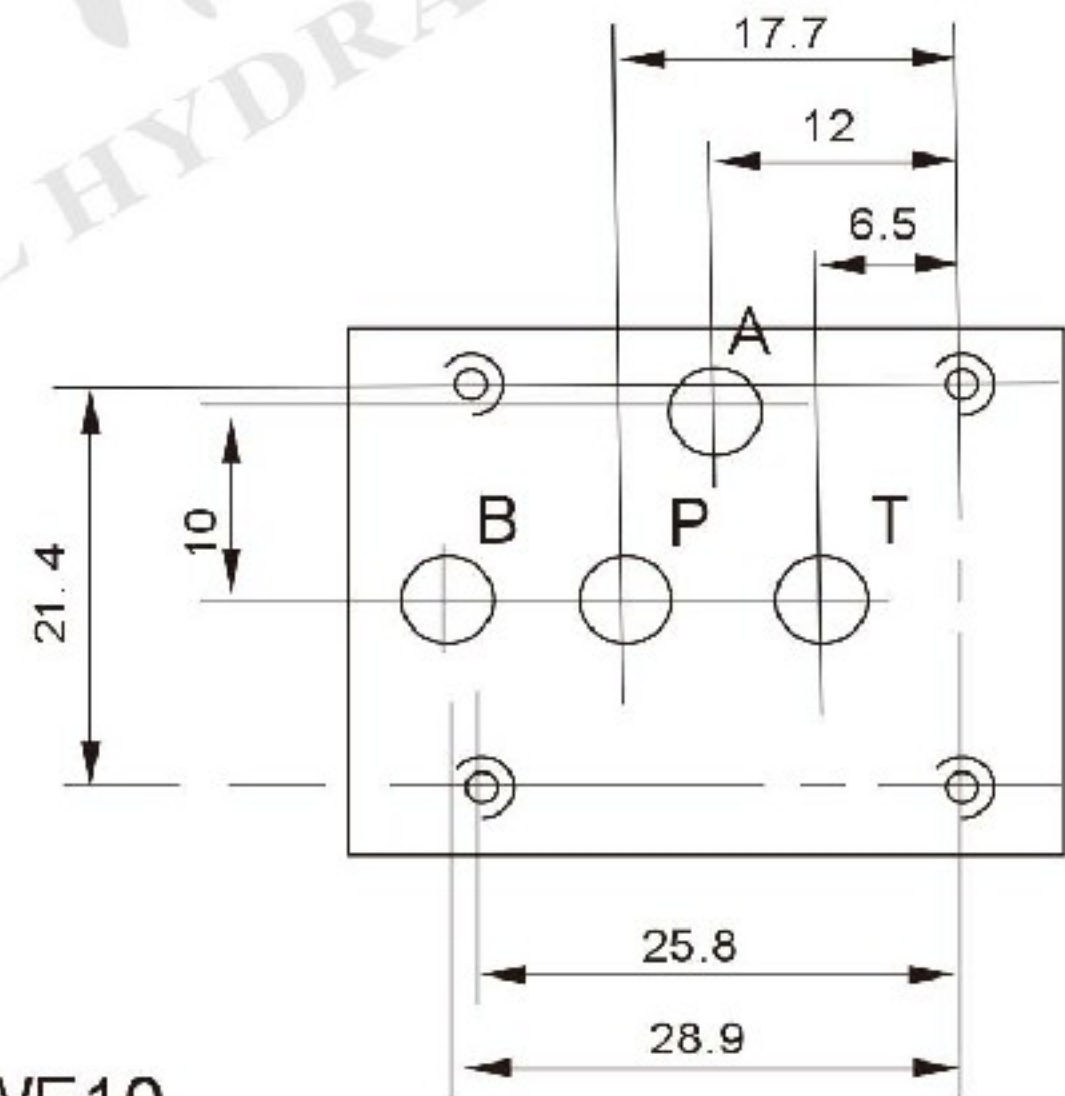
4WE4



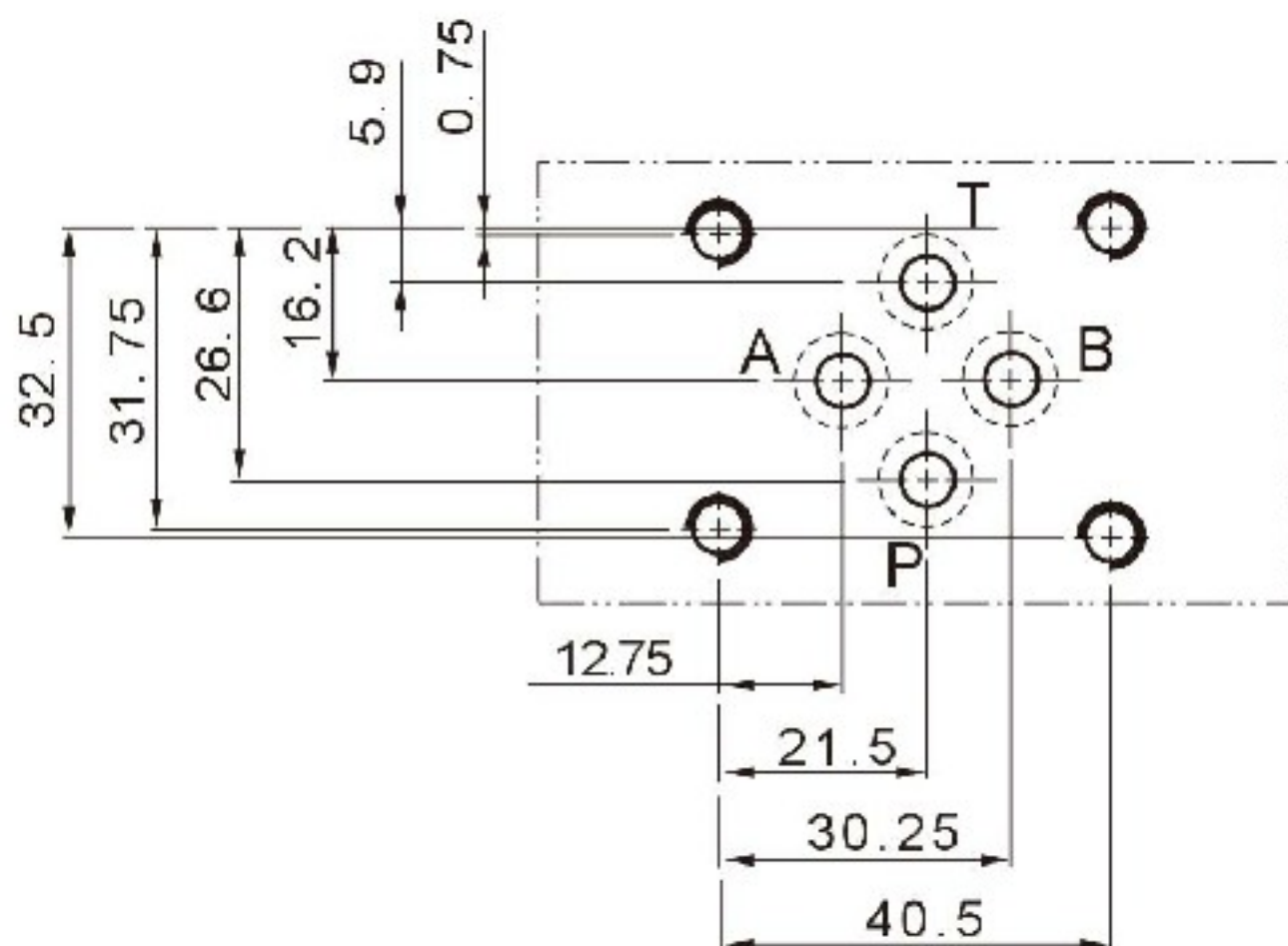
4WE4



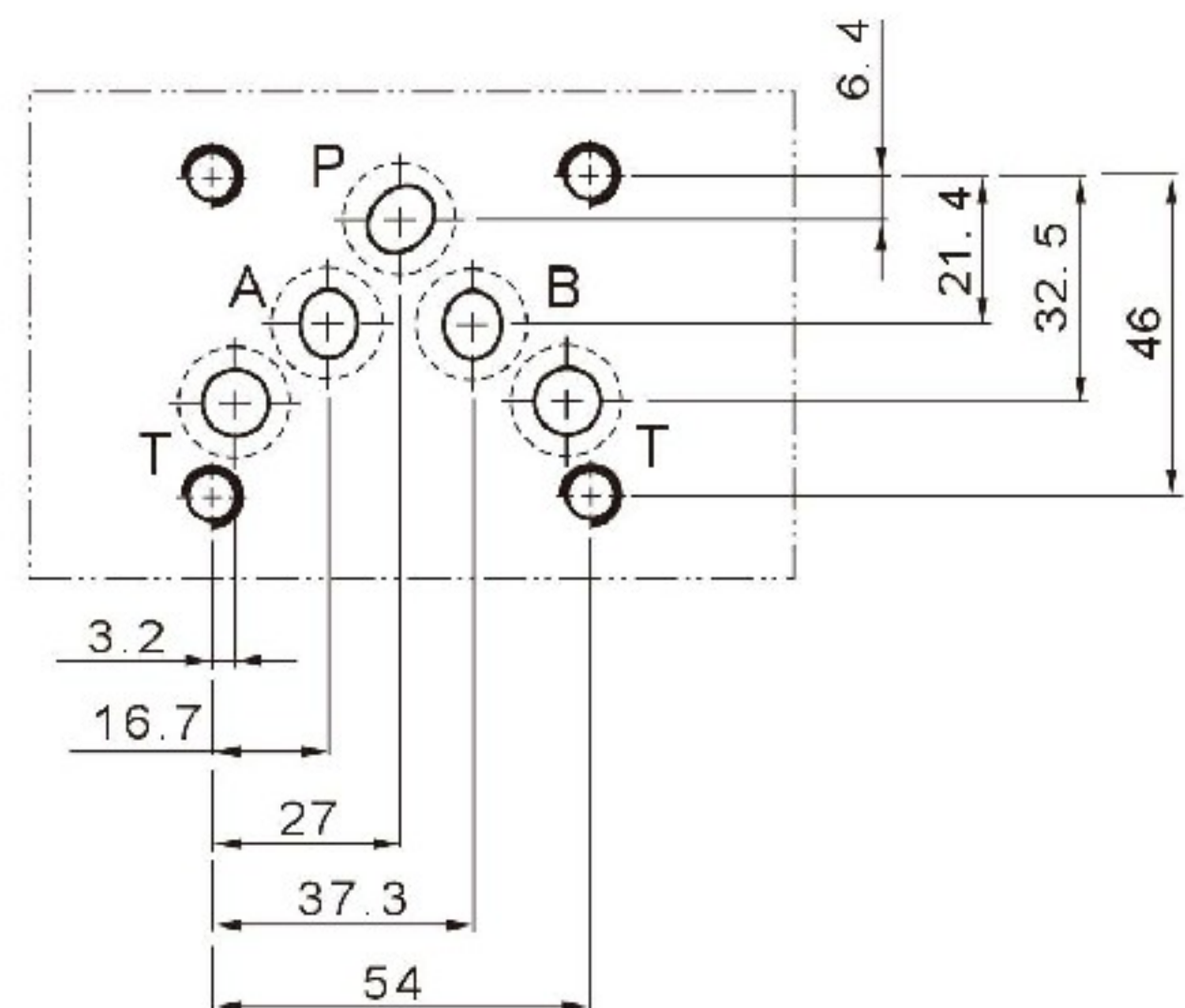
4WE5



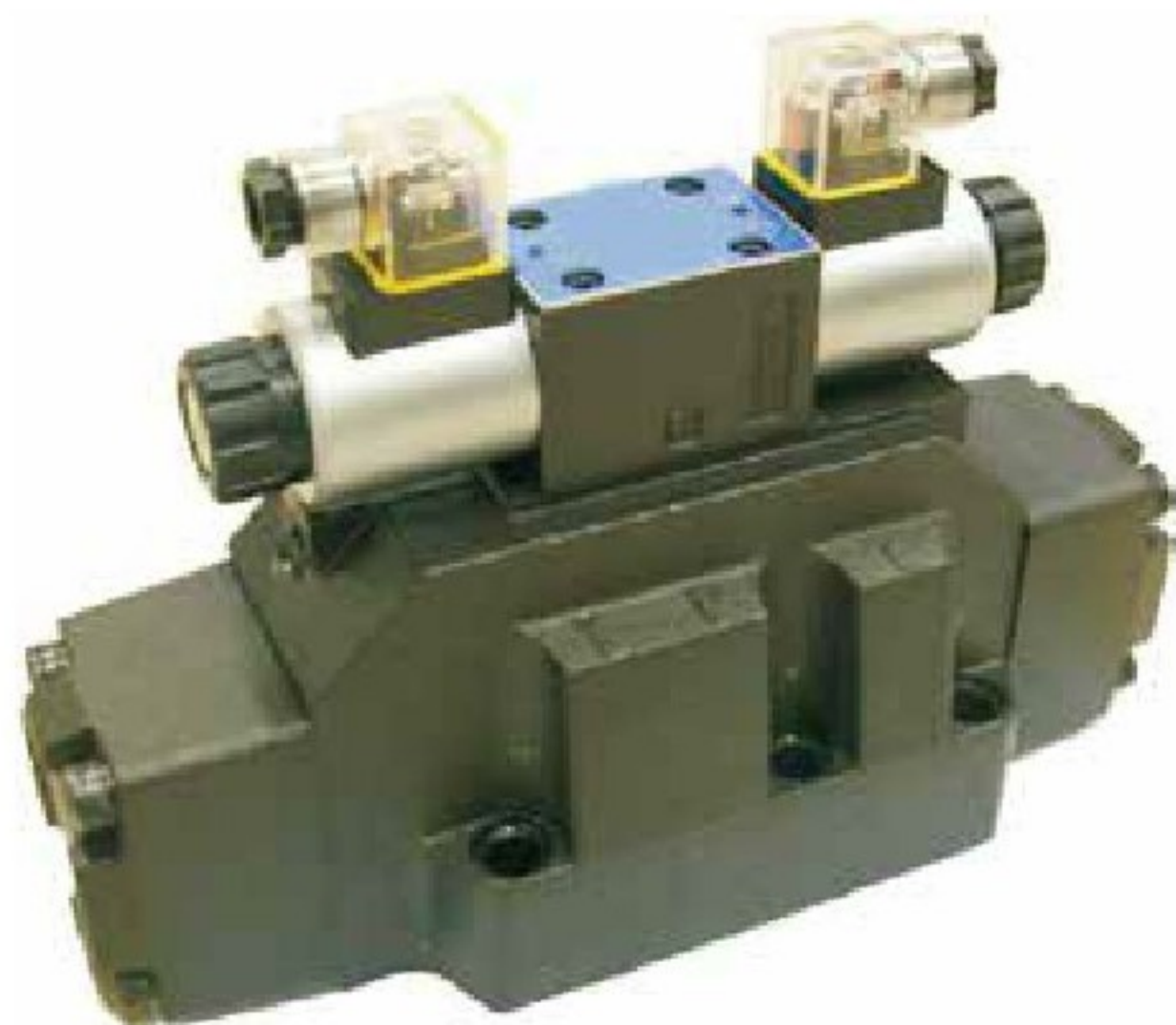
4WE6



4WE10



4WEH series solenoid pilot operated directional valves are solenoid pilot operated spool type valves. This series are used to control the start, stop and direction of flow. 4WH series hydraulic operated directional valves can be used to change the direction of hydraulic oil by moving the main spool when the valve receives a hydraulic signal from the pilot hydraulic oil.



## Technical specification

Model		4WEH10	4WEH16	4WEH25	4WEH32
Max. flow rate (l/min)		160	300	500	1100
Working pressure (MPa)	A,B,P port	31.5			
	T port	External drain	25		
		Internal drain	16(DC) 10(AC)		
	Y port	External control	16(DC) 10(AC)		
Max. operating pressure (MPa)		25			
Weight (kgs)	Pilot valve with single solenoid	1.5			
	Pilot valve with double solenoids	2.2			
	4WEH valve	6.5	7.3	16.5	39.5

## Ordering details

4WEH	25	E	50	O	G24	N
Sort	Nominal size	symbols	Series number	Pilot solenoid valve spool return	Input voltage	Manual override
4WEH: Solenoid pilot operated directional valve 4WH: Hydraulic operated directional valve	10:NG10 Cetop5 16:NG16 Cetop7 25:NG25 Cetop8 32:NG32 Cetop10	See symbols list	20:NG10 50:NG16, NG25, NG32	No code: Spring return O: Without spring return OF: Without spring return with detent.	G12:DC12 G24:DC24 W220:AC220 W110:AC110 W220R:RAC220 W110R:RAC110	No code: Without manual override N: With manual override

ET	S	Z4L	P4.5	*
Oil control	Shifting time adjustment	Connector type	Pre-pressure valve	Remark
See oil control list	No code: Without shifting time adjustment S: Shifting time adjustment as meter-in control S2: Shifting time adjustment as meter-out control	Z4: Standart plug-in connector Z4L: Plug-in connector with light	No code: Without prepressure valve P4.5: With prepressure valve	Further requirements

No code	External control external drain
E	Internal control external drain
T	External control internal drain
ET	Internal control internal drain

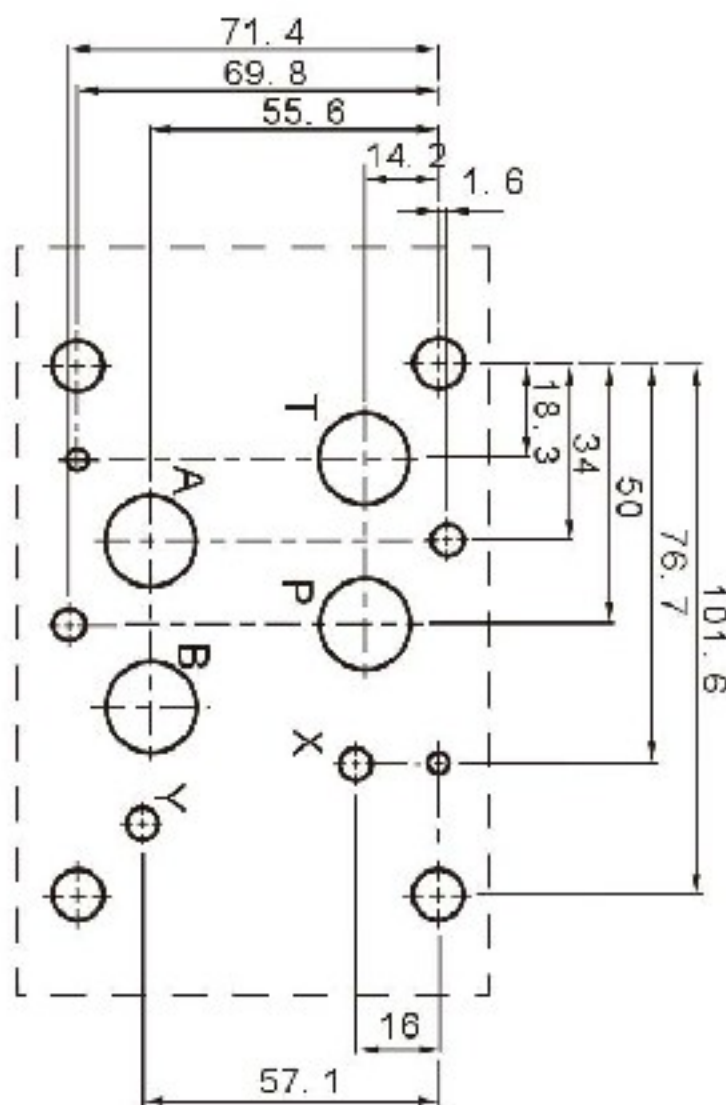
Symbol list



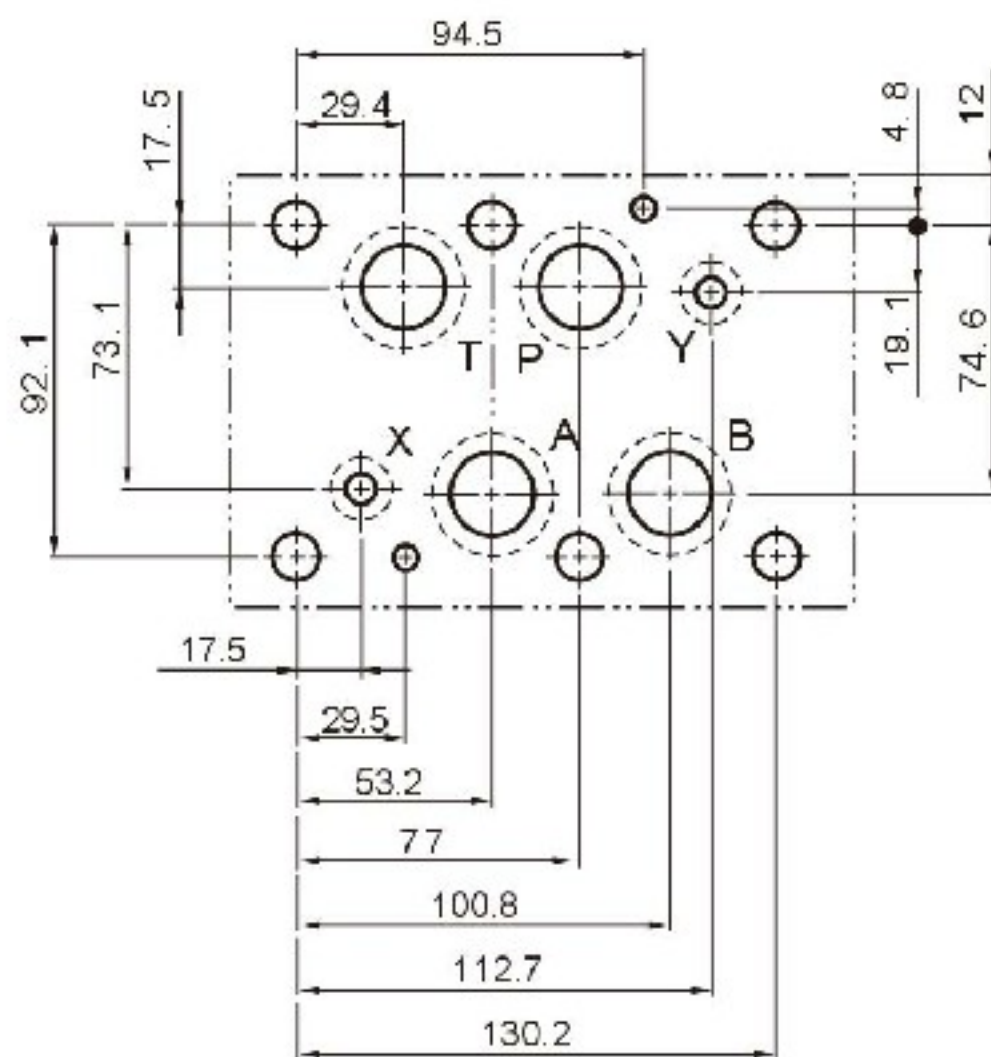
Mounting dimensions

Unit: mm

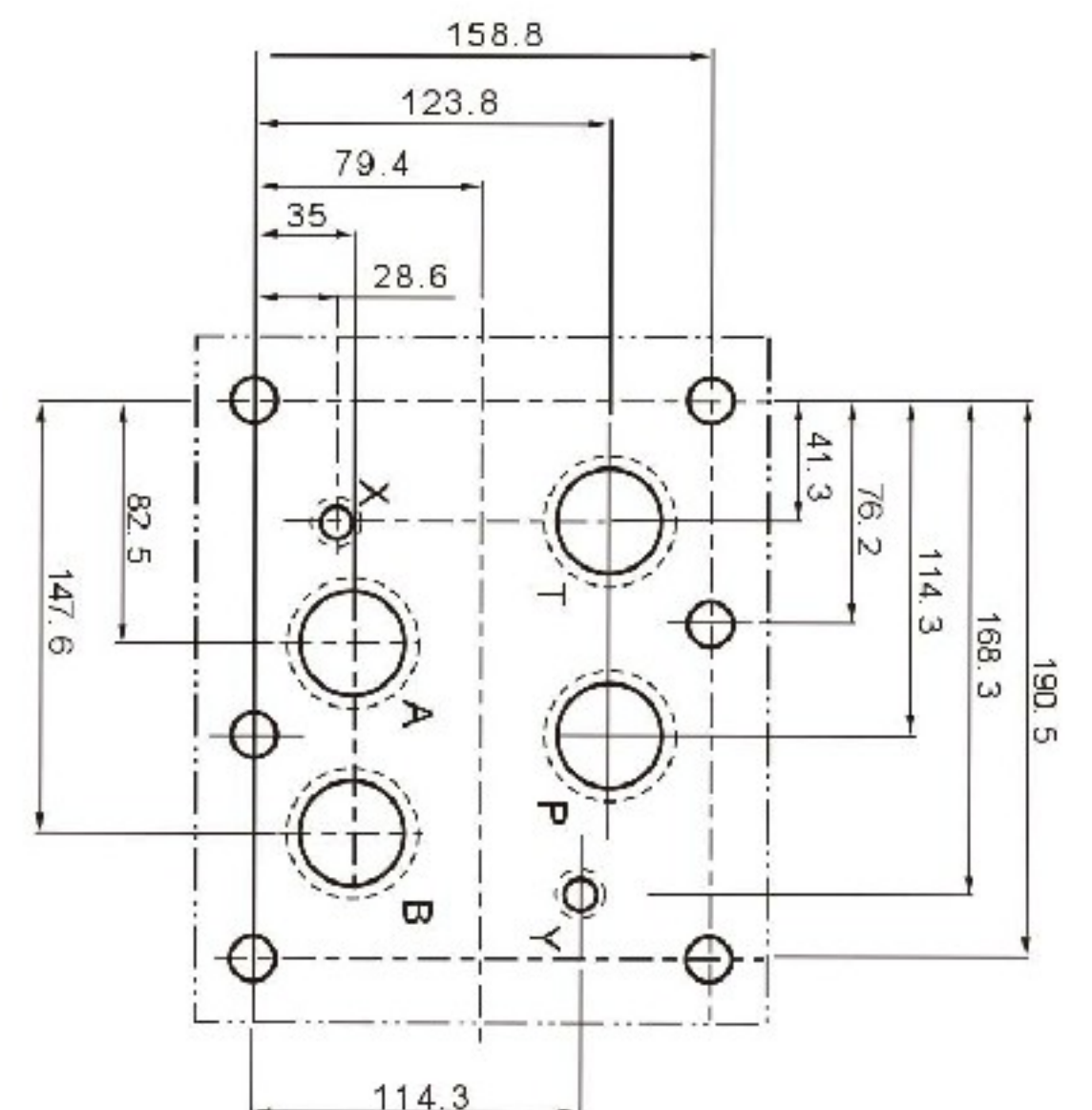
4WE16



4WE25



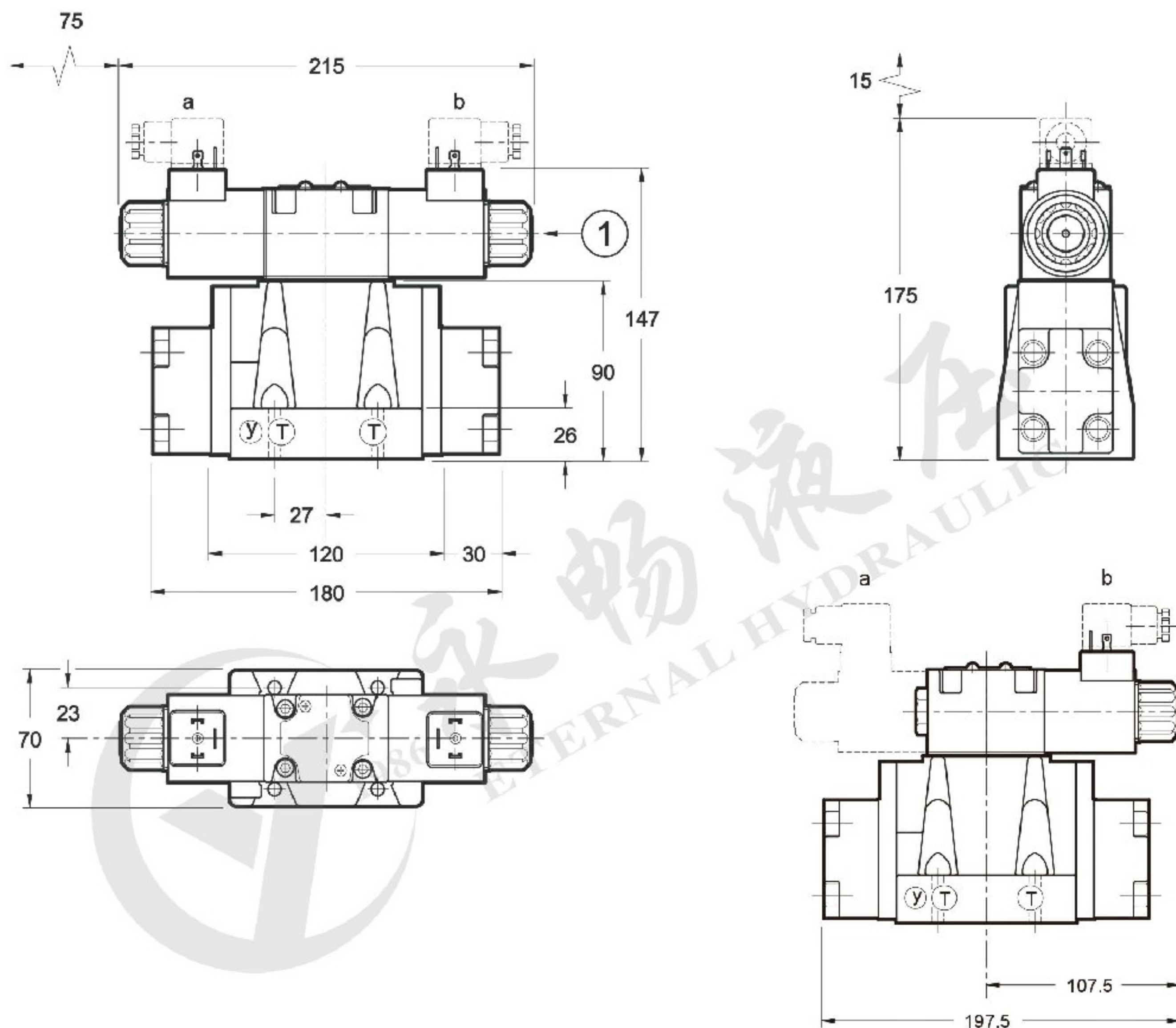
4WE32



Dimensions

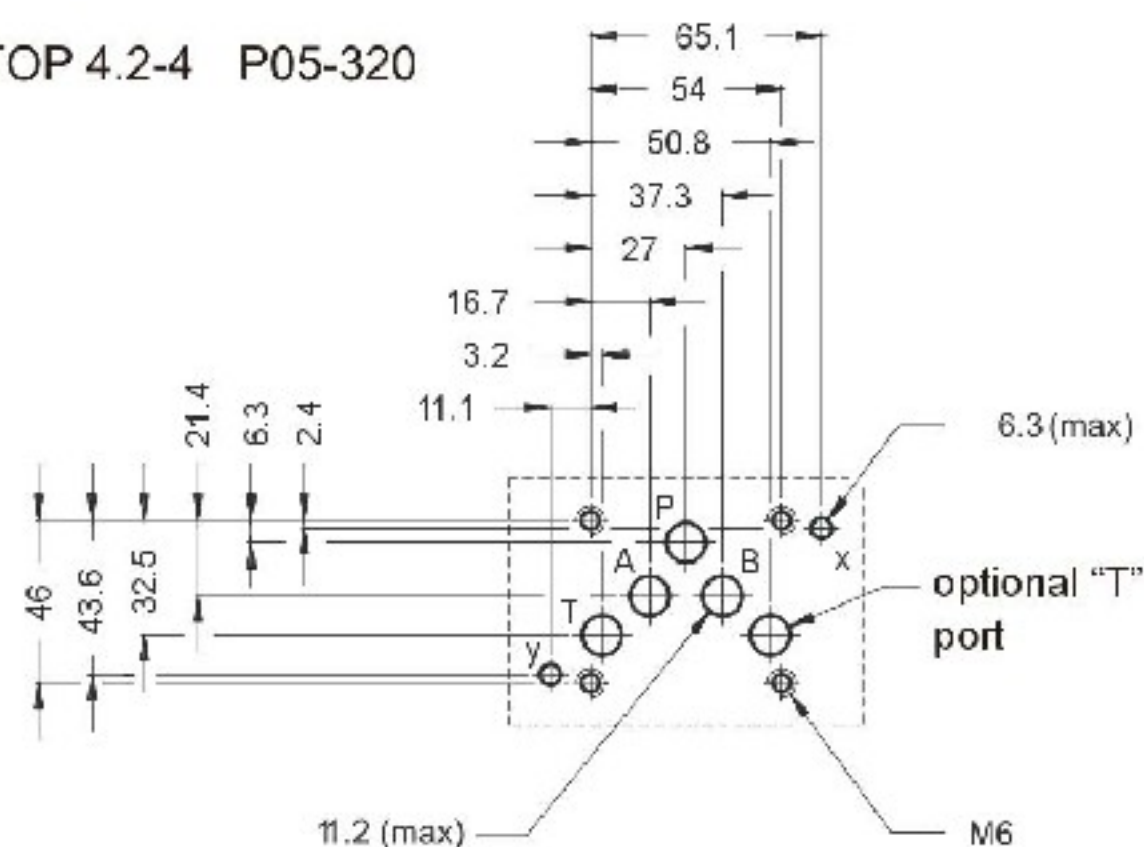
Unit: mm

4WEH10



**MOUNTING SURFACE (STANDARD)**

CETOP 4.2-4 P05-320



Valves with ISO 4401-05-05-0-05 (CETOP R05) mounting interface are available upon request.

ISO 4401-05-05-0-05  
CETOP 4.2-4 R05-320

