

Show China Eternal Quality To The World

Power Unit



COMPANY PROFILE



Eternal Hydraulic belongs to Eternal Group, which is a International Well-known Professional Hydraulic Enterprise with 6 Own Manufacturing Bases in 2023, and we will complete our 12+ Manufacturing Bases in future 5 years to become the No.1 Hydraulic Alliance Group Enterprise.

Eternal Hydraulic are integrating Design&Develop&Manufacturing&Marketing for Hydraulic Components, and with more than 16+ years experience in Hydraulic Field.

Eternal Hydraulic commit ourselves to the No.1 Global One-Stop Mall in Hydraulic Field, Our products are widely used in Agricultural Machinery, Forestry Machinery, Dump Trucks & Special Vehicles, Municipal Sanitation Machinery, Construction Machinery, Logistics&Forklift Machinery, Industrial Equipment, Mining machinery, Marine Machinery and Military Machinery etc, with 98% Good Quality&Price Feedback from market.

Eternal Hydraulic can be used in all Equipments which need Hydraulic Power.

Eternal Hydraulic keep good cooperative relationship with most of International Well-known Hydraulic Companies to provide best Service to our all regular customers.

Eternal Hydraulic firmly believes that "Only the Best can Satisfied the Best" , become the First and Best Purchase Choice of Hydraulic Components in all over the World.

Inviting all ability Partners to join in us to complete 86+ Strategic Partners in all over the World.

ETERNAL HYDRAULIC PISTON PUMP MANUFACTURING BASE

● No. of Workers: 160+ ● Factory area: 40,000m²

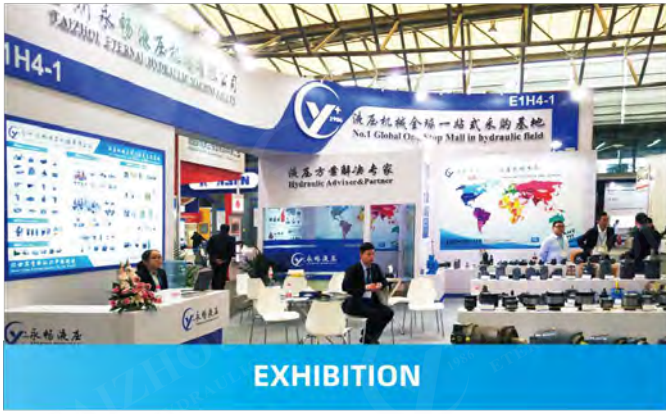


MAIN PRODUCTS

Rexroth, Parker, Kawasaki, Eaton Vickers, Hydrosila, Sauer Danfoss Series...

CERTIFICATES





EXHIBITION



EXHIBITION



SAMPLE ROOM



SAMPLE ROOM

?NNJGA?RGMLQ



Agricultural Machinery



Forklift



Sanitation Machinery



Forestry Machinery



Construction Machinery



Dump Truck



Industry



Mining Machine



Ship Machinery



Pallet Truck

Garbage Truck

Dump Truck Covering

Forklift



P10
HPU5-E0.5W1T2/VUSAP1



P11
HPU5-E0.5W1T2/UVTAP2



P12
HPU5-D1.6A9A30/WUCTT2



P13
HPU-F1.6A1W8/1



P14
HPU5-F1.2A1W2/WUAAD9

Forklift



P15
HPU5-F1.2A1W1/WUAZD9



P16
HPU5-F1.2A1W2/WUAAG9



P17
HPU5-F1.2B1W2/WUDAN9



P18
HPU5-F2.5B2B2/WUDBT1



P19
HPU5-F3.2E2P900/WUDBT15

Lift Table



P20
HPU5-F2.5E3H2/LCCAG1



P21
HPU5-F1.6B3G2/LCAAD1



P22
HPU5-F2.1B3G2/LBUAN1



P23
HPU5-E8L4J2/TCDBT1



P24
LPU-E15P4J2/TKDAZ1

Tipper Trailer

Dock Levler



P25

HPU5-F2.1E1W27/WUCAT1



P26

HPU5-F2.1E1W2/WUCAD1/RC



P27

HPU5-F2.1B1W61/WUAAT1/RC



P28

HPU5-F2.1A1A161/WUUTT1



P29

HPU5-E2.1B4E10/LBAPT1



P30

HPU5-E2.1B4E80/LBAOT1



P31

HPU5-E2.1A4E81/LBAPT1



P32

HPU5-E2.1B4E82/MBAPT1



P33

HPU5-E2.1A4E84/LBAPT1



P34

HPU5-E2.1B4E180/LBUBT1

Dock Levler

Auto Lift



P35

HPU5-D3.2A4E81/TBTBO1



P36

HPU6-F2.1D3H1/ACBOA1



P38

HPU5-F0.8B5F1/ALVOT1



P40

HPU5-F2.7D4H202/ACQIT1



P42

HPU5-G3.2D4H2/TBTIT1

Double Scissor Lift

Scissor Lift



P44

HPU5-F2.7C3G30/LBAAN1



P45

HPU5-G2.1J3H30E/MCDBN2



P46

HPU-H2.7D4I310A/AMQIT1



P48

HPU5-F2.1G4H2/ACDBT1



P49

HPU5-F2.1G4H2/ACDBN1

Portable Scissor Lift



P50

HPU5-F0.32Z5D195/TLLFT1

Tire Changer



P51

HPU5-F2.1B4G40/MNVBE1

Trash compactor



P53

HPU5-C4.2/F1.2A19F305/LKABT1

Double Acting



P54

HPU5-F2.1A1W209/WUAAC1



P55

HPU5-F1.2A1W4/WUAAN1

RV Power Units



P56

HPUS-E0.5S1T101/1

Electric Basketball Stands



P57

HPU5-F1.6B3E42/1

Wheelchair Lift



P58

HPU-D0.63S1T48/1

Snow Plow



P59

HPU5-E1.2Y1W514/WUAAT1

Tailgate Lift



P60

HPU5-E2.5E2M30/WUCBO1

Tailgate Lift



P61

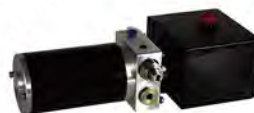
HPU5-E2.5D2A70A/WUABT1



P62

HPU5-E2.5E2A70C/WUCBO1

Medical Care Equipment



YBZ5-C0.32W2X0/UUROTL1

Single Mast High Altitude Working Vehicle



AC Motor Pump Station



AMP-2AE4-4GNB-B

DC Motor Pump Station



DMP-1SF3.2-2BXU-A



DMP-RE1.8-1WWU-A



DMP-SRF1.8-1WWU-A



DMP-CNF6/4-2PTT-A

液动力单元型号说明

POWER UNITS ORDERING GUIDANCE

HPU — /

(1) (2) (3) (4) (5) (6) (7) (8) (9) (10) (11) (12) (13) (14)

- (1) **【产品名称】**：液动力单元 Product name: hydraulic power units
- (2) **【系列号】**：用1、2、3、4...表示动力单元的重大改进。特别注明：“5”代表泵座材质为铝型材，“6”代表泵座材质为压铸铝。
 Series No., which would be changed once there comes big improvement of the whole power units. It comes into 1, 2, 3, 4. Especially, the No.5 represents manifold made of aluminium, the No.6 represents manifold made of die-casting aluminium.
- (3) **【系统溢流阀开启压力】**
 System pressure, which is used to point out the preset pressure of the relief valve.
 A-1.6MPa B-2.5MPa C-6.3MPa D-10MPa E-16MPa F-20MPa G-25MPa H-32MPa
- (4) **【齿轮泵公称排量】** Rated pump displacement
 ①CBK泵/CBK series pumps;
 0.63ml/r 0.8ml/r 1.2ml/r 1.6ml/r 2.1ml/r 2.5ml/r 2.7ml/r 3.2ml/r 3.7ml/r 4.2ml/r 5ml/r 6ml/r 8ml/r
 ②CB—G泵/CBG series pumps;
 2ml/r 3ml/r 3.5ml/r 4ml/r
 ③CB—E泵/CBE series pumps
 0.26ml/r 0.32ml/r 0.38ml/r 0.5ml/r 0.63ml/r 0.88ml/r 1.00ml/r 1.25ml/r 1.5ml/r
- (5) **【油箱容量】** Oil tank capacity
 U-0.5L V-0.8L W-1.0L S-1.4L Y-1.5L Z-2.0L A-3.0L or 4.0L B-5L or 6L C-8.0L D-10L
 E-12L F-14L G-16L H-20L I-22L J-25L K-35L L-50L M-60L N-70L P-80L Q-13L R-30L S-7L
 X-2.5L T-100L TA-120L
- (6) **【电机电压】** Motor voltage
 ①直流电机 DC motor: 1-12V 2-24V 9-48V 10-72V 12-60V
 ②交流电机 AC motor: 3-220V 4-380V 5-110V 6-415V 7-230/460V 8-115/230V 11-200V
 13-110/220V 14-220/380V 15-230/400V 16-460V 17-400V 18-240V 19-120V 20-190/208-240/380V/460V
 21-230v 22-440V 23-100V 24-230/460/575V 25-208/230/460/380/400V 26-277V 27-220/44V 28-575V
- (7) **【电机功率】** Motor power
 ①直流电机 DC motor: X-0.25kw S-0.5kw T-0.8kw U-1.0kw V-1.2kw W-1.5kw A-2.0kw M-2.2kw
 N-2.5kw L-1.8kw B-3.0kw P-4.0kw
 ②交流电机 AC motor: C-0.37kw D-0.55kw E-0.75kw F-1.1kw G-1.5kw H-2.2kw I-3.0kw J-4.0kw
 Q-0.85kw R-1.8kw K-3.7kw
- (8) **【液压油路编号】** 详细信息见下页液动力单元液压回路图。
 Hydraulic circuit No. See the hydraulic schematic circuit in the following page.
- (9) **【电机类型】** Motor type
 0—系统中不含电机/ no motor
 T—特殊要求的电机/ the motor with special requirements
 ①交流电机 AC motors
 A—钢板外壳, 立卧两用, 9齿花键轴, 安装孔中心距113×113
 Steel housing, Vertical & horizontal, 9T Spline, the center distance of the mounting hole is 4.4488x4.4488.
 B—钢板外壳, 立式(无底板), 9齿花键轴, 安装孔中心距113×113
 Steel housing, Vertical, 9T Spline, the center distance of the mounting hole is 4.4488x 4.4488.
 G—铝挤压外壳, 立卧两用, 扁式轴, 安装孔中心距113×113
 Extruding aluminum housing, Vertical & horizontal, Tang, the center distance of the mounting hole is 4.4488x 4.4488.
 H—铝挤压外壳, 立式(无底板), 扁式轴, 安装孔中心距113×113
 Extruding aluminum housing, Vertical, Tang, the center distance of the mounting hole is 4.4488x44488.
 L—压铸铝外壳, 立卧两用, 9齿花键轴, 安装孔中心距113×113
 Casting aluminium housing, Vertical & horizontal, 9T Spline, the center distance of the mounting hole is 4.4488x 4.4488.
 M—压铸铝外壳, 立式(无底板), 9齿花键轴, 安装孔中心距113×113
 Casting aluminium housing, Vertical, 9T Spline, the center distance of the mounting hole is 4.4488x 4.4488.
 N—压铸铝外壳, 立卧式, 扁式轴, 安装孔中心距117.4×117.4
 Casting aluminium housing, Vertical & horizontal, Tang, the center distance of the mounting hole is 4.622x4.622.
 ②直流电机 DC motors

液 压 动 力 单 元 型 号 说 明

POWER UNITS ORDERING GUIDANCE

U-3" 直流电机 (250W-800W)/3" DC motor(0.34HP-1.1HP)
 V-3.5" 直流电机 (800W-1200W)/3.5" DC motor(1.1HP-1.6HP)
 W-4.5" 直流电机 (1.5KW-2.2KW)/4.5" DC motor(2HP-3HP)
 X-5" 直流电机 (3KW)/5" DC motor(4HP)

(10) 【电机转速】 Motor speed

0—系统中不含电机/ Hydraulic system in the non- motor

T—特殊要求的电机/ the motor with Special requirements

①50HZ交流电机 AC motor,50HZ A-960rpm B-1450rpm C-2850rpm D-1450/2850rpm rpm

②60HZ交流电机 AC motor,60HZ J-1100rpm K-1750rpm L-3450rpm

③对50HZ/60HZ双频交流电机 M-50HZ/60HZ 双频,二级电机 N-50HZ/60HZ 双频,四级电机

④直流电机 DC motor U-2500rpm V-3500rpm W-4500rpm

(11) 【油箱外型】 Tank appearance

A—Φ120口径, 钢件, 圆, 卧式/ neck i.d Φ120, steel, rond, horizontal.

B—Φ120口径, 钢件, 圆, 立式/ neck i.d Φ120, steel, round, vertical.

C—Φ120口径, 钢件, 方, 卧式/ neck i.d Φ120, steel, square, horizontal.

D—Φ120口径, 钢件, 方, 立式/ neck i.d Φ120, steel, square, vertical.

E—Φ138口径, 钢件, 圆, 卧式/ neck i.d Φ138, steel, round, horizontal.

F—Φ138口径, 钢件, 圆, 立式/ neck i.d Φ138, steel, round, vertical.

G—Φ138口径, 钢件, 方, 卧式/ neck i.d Φ138, steel, square, horizontal.

H—Φ138口径, 钢件, 方, 立式/ neck i.d Φ138, steel, square, vertical.

J—Φ94口径, 钢件, 圆, 卧式/ neck i.d Φ94, steel, round, horizontal.

K—Φ94口径, 钢件, 圆, 立式/ neck i.d Φ94, steel, round, vertical.

L—Φ94口径, 钢件, 方, 卧式/ neck i.d Φ94, steel, square, horizontal.

M—Φ94口径, 钢件, 方, 立式/ neck i.d Φ94, steel, square, vertical.

N—Φ120口径, 钢件, 圆, 油箱直径Φ200/ neck i.d Φ120, steel, square, vertical.

P—Φ120口径, 塑料, 吹塑件, 卧式/ neck i.d Φ120, blow- molded plastic, round, horizontal.

Q—Φ120口径, 塑料, 吹塑件, 立式/ neck i.d Φ120, blow- molded plastic, round, vertical.

R—Φ73口径, 钢件, 方, 卧式/ neck i.d Φ73, steel, square, vertical.

S—Φ73口径, 钢件, 方, 立式/ neck i.d Φ73, steel, square, vertical.

U—Φ120口径, 塑料, 注塑件, 卧式/ neck i.d Φ120, injection molded plastic, round, vertical.

V—Φ120口径, 塑料, 注塑件, 立式/ neck i.d Φ120, injection molded plastic, rond, vertical.

O—没有油箱/ non-tank

T—特殊要求的油箱/ the tank with Special requirements.

(12) 【电磁阀电压】 Solenoid valve volt

A—12VDC, 不带手动应急/12VDC, without manual override function.

B—24VDC, 不带手动应急/24VDC, without manual override function.

C—24VAC, 不带手动应急/24VAC, without manual override function.

D—110VAC, 不带手动应急/110VAC, without manual override function.

E—220VAC, 不带手动应急/220VAC, without manual override function.

F—110VAC, 不带手动应急/110VAC, without manual override function.

H—12VDC, 带手动应急/12VDC, with manual override function.

I—24VDC, 带手动应急/24VDC, with manual override function.

J—24VAC, 带手动应急/24VAC, with manual override function.

K—110VAC, 带手动应急/110VAC, with manual override function.

L—220VAC, 带手动应急/220VAC, with manual override function.

0—系统中没有电磁阀/ No solenoid valve.

T—要求特殊电磁阀/ The solenoid valve with special requirements.

Z—特指系统中的手动阀带有微动开关/ referring to the manual valve with micro switch.

(13) 泵座型号由制造厂商确定。

Manifold model is selected by manufacturer.

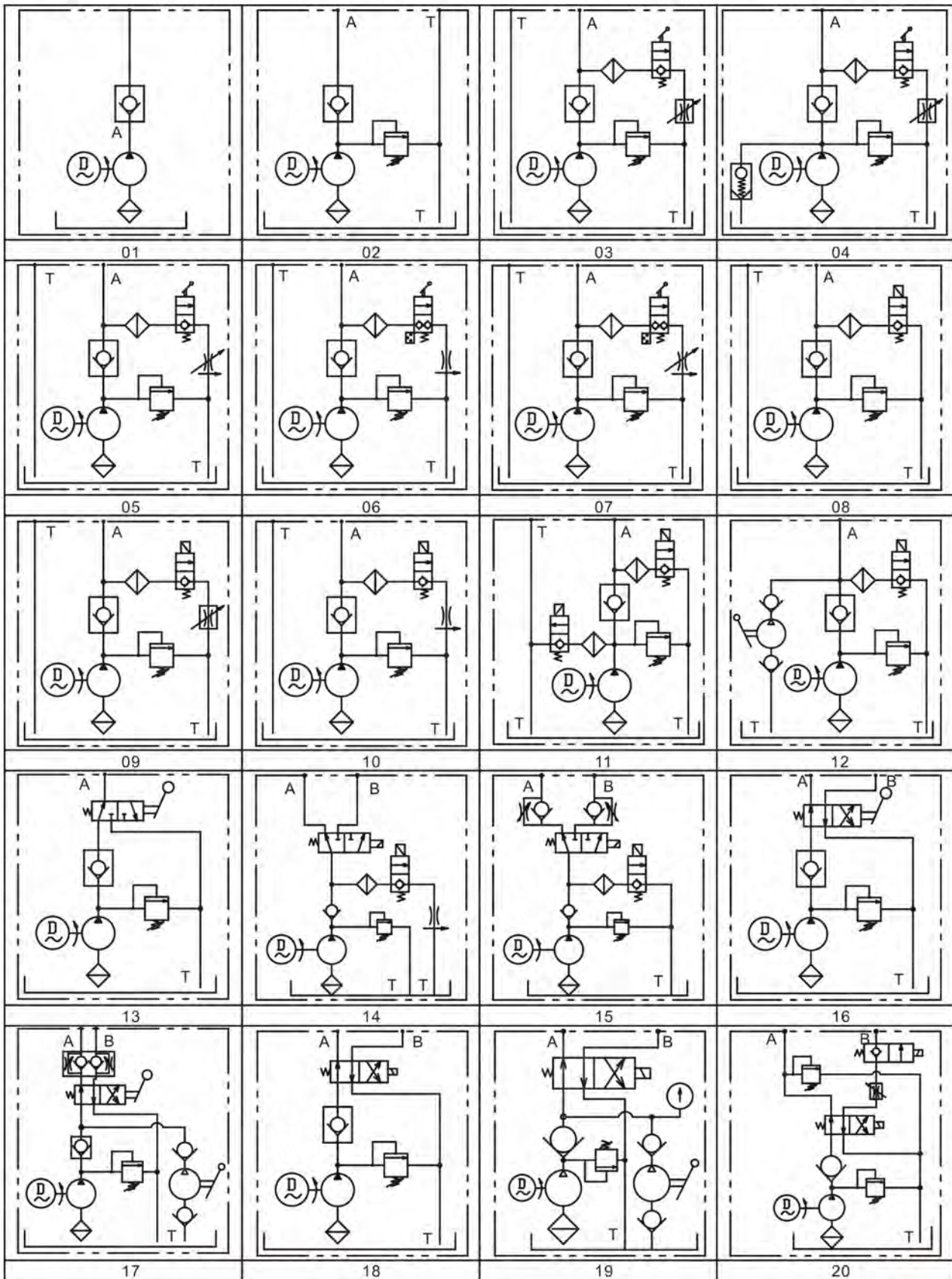
(14) 设计序号由制造厂商确定。例如: 1. 2. 3或A. B. C表示。

Design No. which is selected by manufacturer, may be 1, 2, 3 or A, B, C.

液压原理图

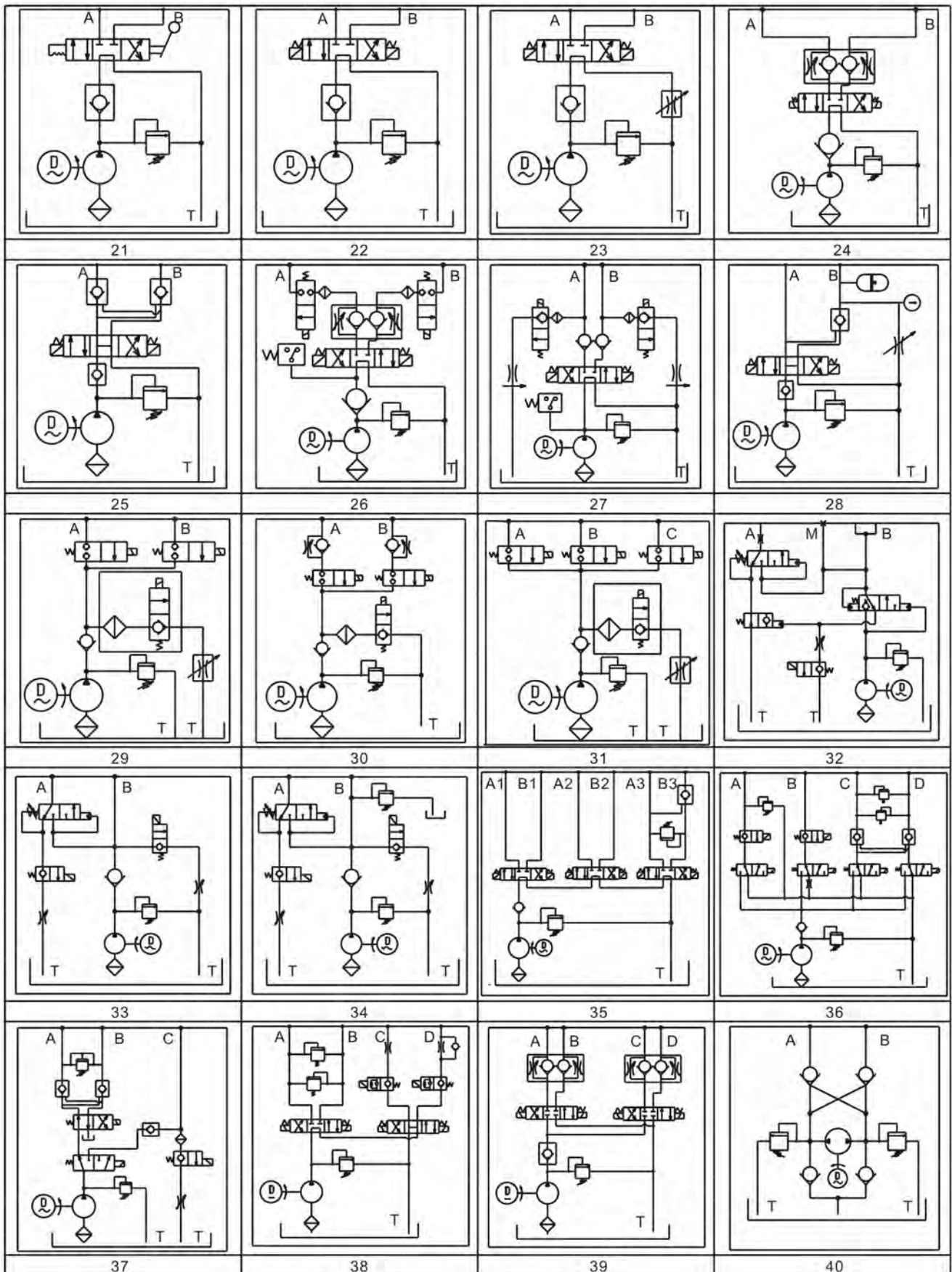
HYDRAULIC PRINCIPLE DIAGRAM

通过不同的液压阀组合，我公司目前已有上百种液压原理图供客户选择，典型的液压原理图见下图，我公司还可根据用户要求定制特殊的油路。With different combination of the valves, we have more than two hundred hydraulic circuits used in the power units. The typical circuits are shown as follows. We are at your disposal to design and produce the customized circuits.



液压原理图

HYDRAULIC PRINCIPLE DIAGRAM



I Product Introduction

产品简介

CBK齿轮泵系高压小排量齿轮油泵，由一对高强度齿轮、轴套、泵体、前盖、后盖 等主要部件组成，轴向间隙由高精度浮动轴套自动补偿，使得CBK齿轮泵具有高的机械效率和容积效率，该泵噪音低、重量功率比小，广泛应用各种交流和直流液动力单元和中小型液压系统。

用户订货时应注意，CBK齿轮泵有顺时针、逆时针两种转向及后盖进/前盖出、泵体进/后盖出、后盖进/泵体出、泵体进/泵体出、后盖进/后盖出五种进出油方式。

CBK gear pump is a high pressure and small displacement gear oil pump. It consists of a high strength gear, shaft sleeve, pump body, front cover and back cover. The axial clearance is automatically compensated by a high precision floating shaft sleeve, which makes the CBK gear pump have high mechanical efficiency and volume efficiency. The pump has low noise, low weight-power ratio and is widely used in various fields. AC and DC hydraulic power units and medium and small hydraulic systems. When ordering, customers should note that CBK gear pump has clockwise and counterclockwise steering and back cover in/out, pump body in/out, back cover in/out, pump body in/out, pump body in/out, back cover in/out, and back cover in/out.



I Ordering Code

型号说明

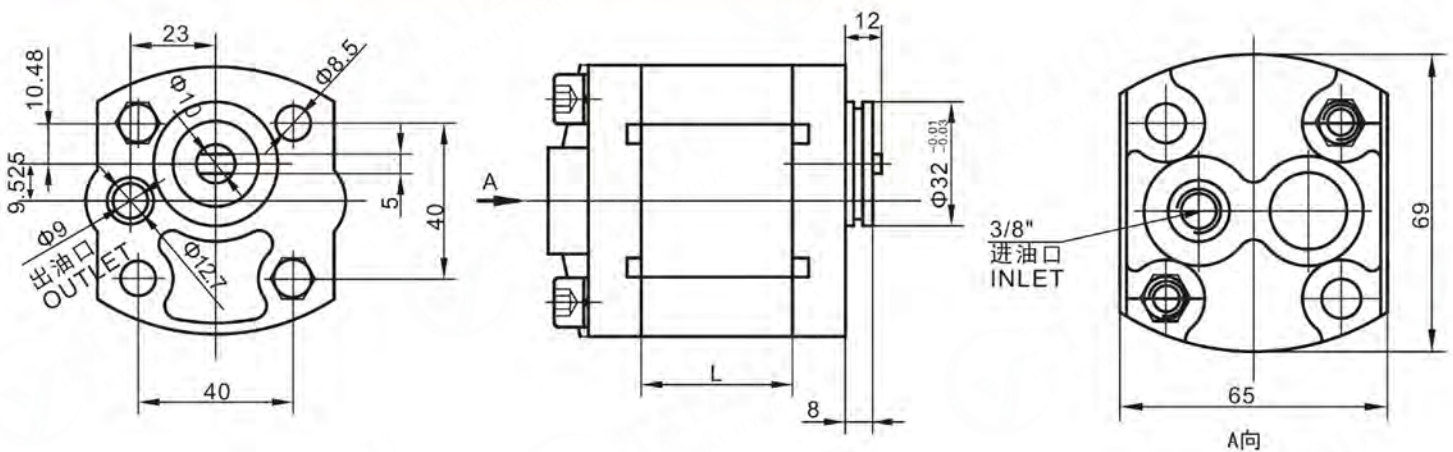
CBK-F * * * *

① ② ③ ④ ⑤

- ① 额定压力 Rated pressure: 20MPa
- ② 排量 Displacement: 0.63~8mL/r
- ③ 进出油位置 Inlet/outlet Position: D 后盖进/后盖出 Rear in/rear out
C 泵体进/泵体出 Side in/side out B 后盖进/泵体出 Rear in/side out
A 泵体进/后盖出 Side in/rear out 空白 后盖进/前盖出 Rear in/frong out
- ④ 旋向 Rotation: R: 右旋 Ringht (顺时针 Clockwise) L: 左旋 Left (逆时针 Counterclockwise)
- ⑤ 轴端形式 Shaft optional: 扁势 Tang 花键 Spline

I Outline Dimension

外形尺寸图



说明:

- 1、排量有0.2, 0.4, 0.5, 0.63
- 2、进出油口有如下几种: A型: 后进前出 B型: 侧进前出 C型: 侧进侧出
- 3、旋向为右旋

型号 Model	Displacement 排量 mL/r(in ³ /r)	压力(MPa) Pressure			转速(r/min) Speed	尺寸 Dimensions	
		P1	P2	P3		L(mm)	容积效率(≥%) Volumetric efficiency
CBK-F0.26***	0.27(0.0165)	16	18	20	3000	61.2	80
CBK-F0.5***	0.49(0.0299)					63	82
CBK-F0.63***	0.64(0.039)					64.2	85
CBK-F0.75***	0.76(0.046)					65.2	
CBK-F1.00***	1.00(0.061)					67.2	
CBK-F1.25***	1.25(0.0763)					69.2	
CBK-F1.5***	1.54(0.094)					71.5	

I Product Introduction 产品简介

Fm系列同步马达能为车辆、农业、材料处理和设备制造行业提供稳定可靠的同步解决方案，作为一种马达它有如下功能：并联油缸或液压马达的同步操作；在单泵供油的场合，可一定比例向多个油路分配流量；当压力需高于泵的工作压力时可以进一步提高压力值。

FM series synchronous motors can provide stable and reliable synchronous solutions for vehicle, agriculture, material processing and equipment manufacturing industries. As a motor, they have the following functions: synchronous operation of parallel cylinders or hydraulic motors; flow distribution to multiple oil pipelines in a certain proportion in the case of single pump oil supply; when the pressure is higher than that of pumps. Work pressure can be further increased.

I Ordering Code 型号说明

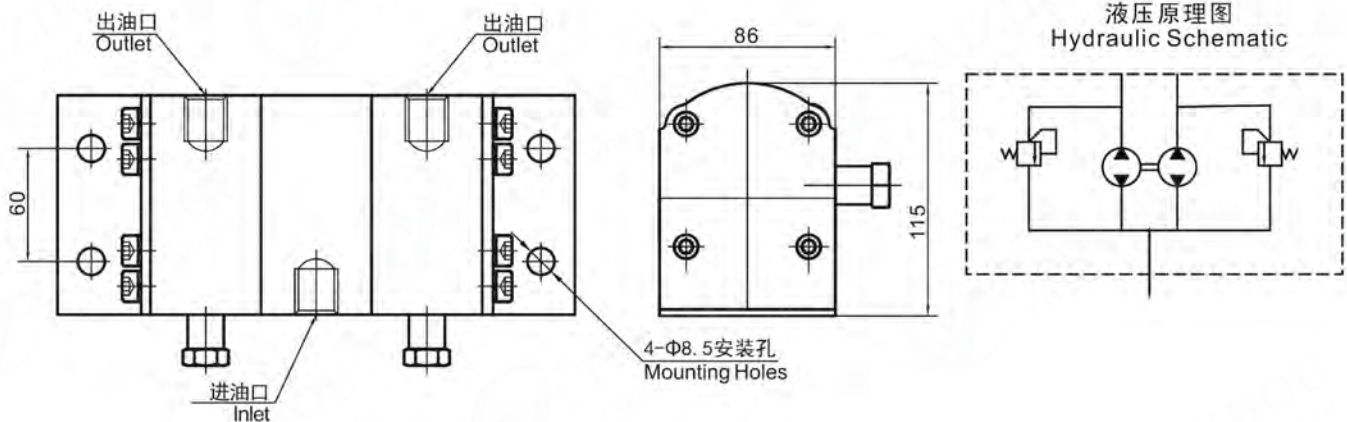
FMA - * * * * - *

① ② ③ ④ ⑤

- ① 分配室数目 Number of section: 2、3、4、5、6
- ② 溢流阀 relief valve: R带溢流阀 With relief valve
N不带溢流阀 Without relief valve
- ③ 分配室排量 Displacement of each section: 0.061-0.5370 in³/r 1.0-8.8cc/r
- ④ 油口形式 Ports configuration: 公制油口 M Ports PT油口 PT Ports G管螺纹 BSPP Ports
- ⑤ 细节描述 Detailed description

I Outline Dimension 外形尺寸图

1、FMA- 2 * * * - *

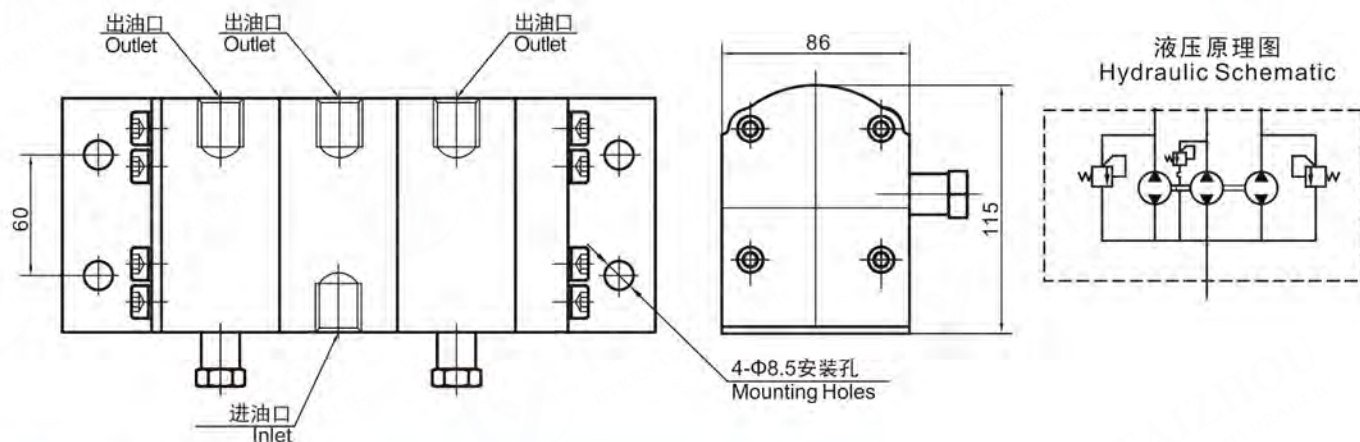


I Specification 性能参数

型号 Model	排量 (ml/r)	最小进口流量 750rpm (L/M)	标准进口流量 1500rpa (L/M)	最大进口流量 3000rpa (L/M)	出油口 最大压力 (Mpa)	油口	
						进油口 Inlet	出油口 Outlet
FMA-2*2.1*	2.17	3.26	6.51	13.02	25	M27 × 2 G1/2 PT1/2	M18 × 1.5 G3/8 PT3/8
FMA-2*3*	3.18	4.77	9.54	19.08			
FMA-2*4.2*	4.34	6.51	13.02	26.04			
FMA-2*6.3*	6.37	9.56	19.11	38.22			
FMA-2*8.8*	8.82	13.23	26.46	52.92			



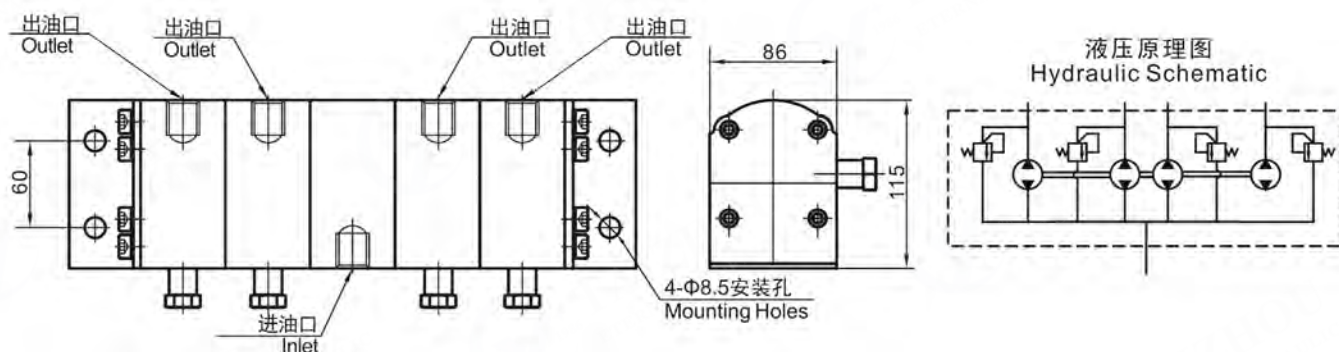
2、FMA- 3 * * * - *



Specification 性能参数

型号 Model	排量 (ml/r)	最小进口流量 750rpm (L/M)	标准进口流量 1500rpa (L/M)	最大进口流量 3000rpa (L/M)	出油口 最大压力 (Mpa)	油口	
						进油口 Inlet	出油口 Outlet
FMA-3*2.1*	2.17	4.89	9.46	18.62	25	M27 × 2 G1/2 PT1/2	M18 × 1.5 G3/8 PT3/8
FMA-3*3*	3.18	7.2	14	28			
FMA-3*4.2*	4.34	9.7	19.32	38			
FMA-3*6.3*	6.37	14.34	28.1	55.9			
FMA-3*8.8*	8.82	20	41	82			

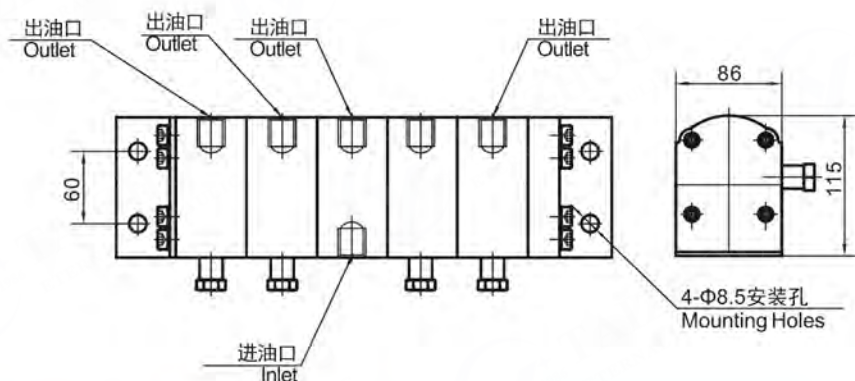
3、FMA- 4 * * * - *



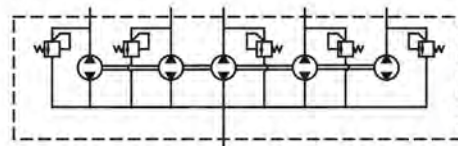
Specification 性能参数

型号 Model	排量 (ml/r)	最小进口流量 750rpm (L/M)	标准进口流量 1500rpa (L/M)	最大进口流量 3000rpa (L/M)	出油口 最大压力 (Mpa)	油口	
						进油口 Inlet	出油口 Outlet
FMA-4*2.1*	2.17	6.51	13.2	26.04	21	M33 × 2 G3/4 PT3/4	M18 × 1.5 G1/2 PT1/2
FMA-4*3*	3.18	9.54	19.08	38.16			
FMA-4*4.2*	4.34	13.02	26.04	52.08			
FMA-4*6.3*	6.37	19.11	38.22	76.44			
FMA-4*8.8*	8.82	26.46	52.92	105.84			

4、FMA- 5 * * * - *



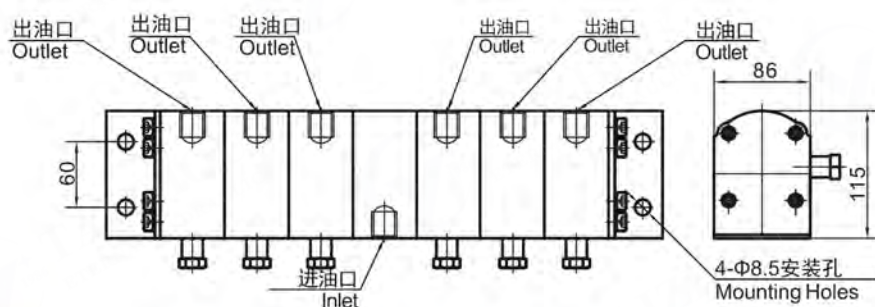
液压原理图
Hydraulic Schematic



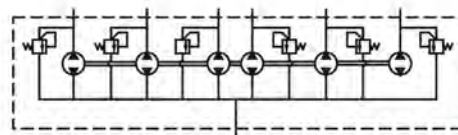
Specification
性能参数

型号 Model	排量 (ml/r)	最小进口流量 750rpm (L/M)	标准进口流量 1500rpa (L/M)	最大进口流量 3000rpa (L/M)	出油口 最大压力 (Mpa)	油口	
						进油口 Inlet	出油口 Outlet
FMA-5*2.1*	2.17	8.15	16.2	32.08	21	M33 × 2	M18 × 1.5
FMA-5*3*	3.18	11.9	23.8	47.6		G1	G3/8
FMA-5*4.2*	4.34	16.3	32.6	65		PT1	PT3/8
FMA-5*6.3*	6.37	23.88	47.7	95.5			
FMA-5*8.8*	8.82	33.07	66.1	132.1			

5、FMA- 6 * * * - *



液压原理图
Hydraulic Schematic



Specification
性能参数

型号 Model	排量 (ml/r)	最小进口流量 750rpm (L/M)	标准进口流量 1500rpa (L/M)	最大进口流量 3000rpa (L/M)	出油口 最大压力 (Mpa)	油口	
						进油口 Inlet	出油口 Outlet
FMA-6*2.1*	2.17	9.45	18.89	37.8	21	M33 × 2	M18 × 1.5
FMA-6*3*	3.18	14.31	28.6	57.2		G1	G3/8
FMA-6*4.2*	4.34	19.53	39	78		PT1	PT3/8
FMA-6*6.3*	6.37	28.6	57.2	114.4			
FMA-6*8.8*	8.82	39.6	79.4	158.7			

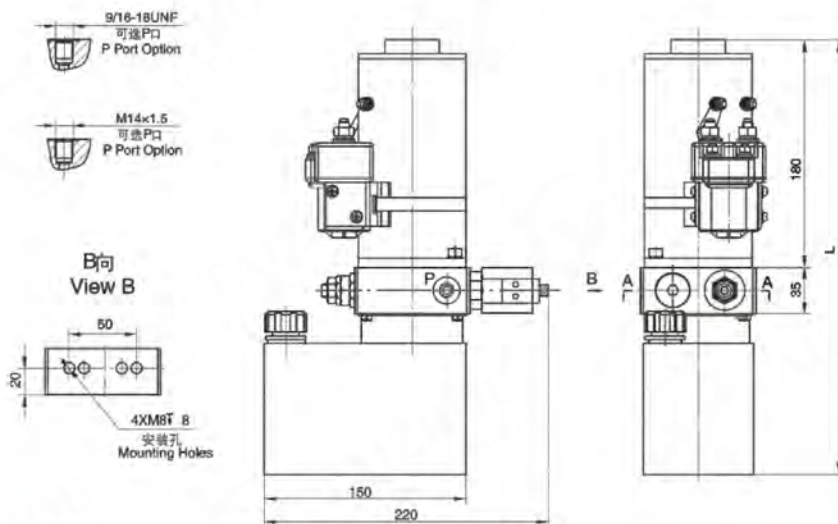
I Product Introduction 产品简介

此液压微型动力单元由高齿轮油泵、低噪音直流电机、多用集成块、液压阀、油箱等零部件有机结合为一体。通常用作托盘车、轻型堆高车的动力源。电磁卸荷阀卸荷实现回油，下降速度由内置性平衡阀控制。

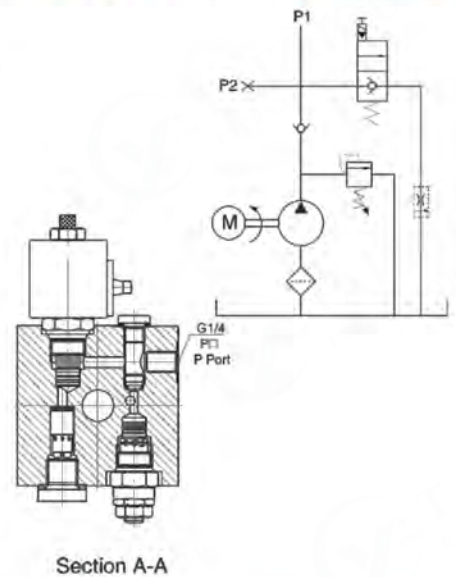
Consisting of high pressure gear pump, Low noise DC motor, multi-functional manifold, valves, tank, etc. This power unit can be widely used in the industry of logistic devices such as minifork lift ect. The lowering movement is controlled by the solenoid valve with the speed controlled by the balance valve.



I Outline Dimension 外形尺寸图



I Hydraulic Circuit Diagram 系统工作原理



I Model Specifications 型号规格说明

Model 型号	电机电压 Motor Volt	电机功率 Motor Power	额定转速 Rated Speed	油泵排量 Displacement	溢流阀压力 System Pressure	邮箱容量 Tank Capacity	电磁阀电压 Solenoid Valve Volt	L(mm)
HPU5-E0.5W1T2/VUSAP1	12VDC	0.8KW	2880RPM	0.5ml/r	16 MPa	1L	12VDC	307
HPU5-E0.63W1T2/VUSAP1				0.63ml/r				
HPU5-E0.5Y2T2/VUSBP1	24VDC	0.8KW	2880RPM	0.5ml/r	16 MPa	1.5L	24VDC	337
HPU5-E0.63Y2T2/VUSBP1				0.63ml/r				
HPU5-E0.75W2T2/VUSIP2				0.75ml/r		1L	307	

说明: 1.如需不同流量的泵、压力、电机功率等系统参数, 请查看液压动力单元型号说明或与销售联系。

2.如需手动应急放油装置请在订货时说明。

Remark: 1.Please go to page 1 or consult our sales engineer for the different pump displacement, motor power or tank capacity.

2.The manual override function is available on request.

I Special Notes 注意事项

- 1.此动力单元不可连续运转 (1分钟ON, 9分钟OFF), 可重复工作。
- 2.安装前必须保证油缸、油管、接头等液压元件清洁无任何杂质粘附。
- 3.液压油粘度应为15~68CST, 应清洁无杂质, 推荐使用N46号液压油。
- 4.本液压动力单元适用于立式安装。
- 5.首次启动运行系统后, 应立即检查油箱中的油量是否充足。
- 6.系统使用第一个100小时后, 应更换液压油, 以后每3000小时更换一次液压油。

- 1.The power unit is of S3 duty, which can only work intermittently and repeatedly and repeatedly, i.e., 1minute on and 9minutes off.
- 2.Clean all the hydraulic parts concerned before mounting the power unit.
- 3.Viscosity of the hydraulic oil should be 15-68 cst, which should also be clean and free of impurities.N46 hydraulic oil is recommended.
- 4.This power unit should be mounted vertically.
- 5.Check the oil level in the tank after the first star of the power unit.
- 6.Oil changing is required after the initial 100 operation hours, afterwards once every 3000 hours.

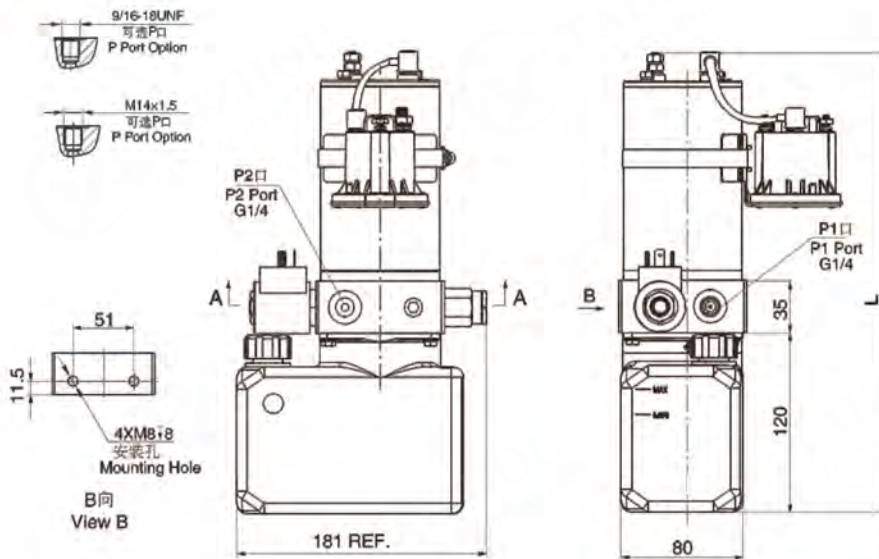
Product Introduction 产品简介

此液压微型动力单元由高齿轮油泵、低噪音直流电机、多用集成块、液压阀、油箱等零部件有机结合为一体。通常用作托盘车、轻型堆高车的动力源。电磁卸荷阀卸荷实现回油，下降速度由内置性平衡阀控制。

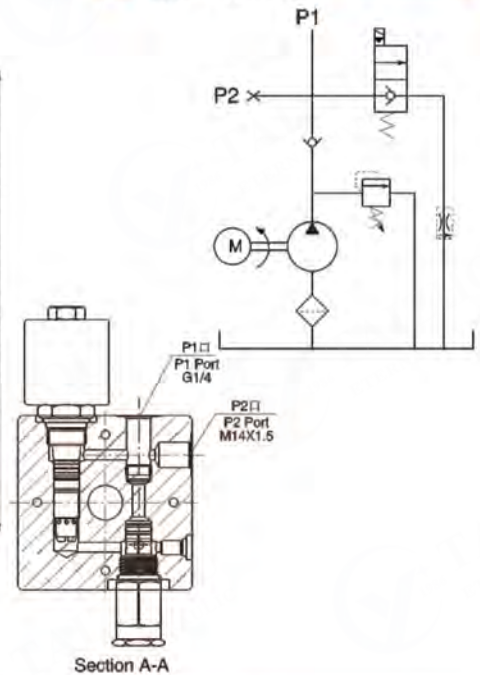
Consisting of high pressure gear pump, Low noise DC motor, multi-functional manifold, valves, tank, etc. This power unit can be widely used in the industry of logistic devices such as minifork lift ect. The lowering movement is controlled by the solenoid valve with the speed controlled by the balance valve.



Outline Dimension 外形尺寸图



Hydraulic Circuit Diagram 系统工作原理



Model Specifications 型号规格说明

Model 型号	电机电压 Motor Volt	电机功率 Motor Power	额定转速 Rated Speed	油泵排量 Displacement	溢流阀压力 System Pressure	邮箱容量 Tank Capacity	电磁阀电压 Solenoid Valve Volt	L(mm)
HPU5-E0.5W1T2/UVTAP2	12VDC	0.8KW	2880RPM	0.5ml/r	16 MPa	1L	12VDC	308
HPU5-E0.63W1T2/UVTAP2				0.63ml/r				
HPU5-E0.5Y2T2/UVTBP2	24VDC			0.5ml/r			24VDC	
HPU5-E0.75Y2T2/UVTBP2				0.75ml/r				
HPU5-E1.0W2T2/UVTBP2				1.0ml/r				

说明: 1.如需不同流量的泵、压力、电机功率等系统参数, 请查看液动力单元型号说明或与销售联系。

2.如需手动应急放油装置请在订货时说明。

Remark: 1.Please go to page 1 or consult our sales engineer for the different pump displacement, motor power or tank capacity.

2.The manual override function is available on request.

Special Notes 注意事项

- 1.此动力单元为S3工作制, 不可连续运转, 30秒开, 270秒停。
- 2.安装前必须保证油缸、油管、接头等液压元件清洁无任何杂质粘附。
- 3.液压油粘度应为15~68CST, 应清洁无杂质, 推荐使用N46号液压油。
- 4.本液动力单元适用于立式安装。
- 5.首次启动运行系统后, 应立即检查油箱中的油量是否充足。
- 6.系统使用第一个100小时后, 应更换液压油, 以后每3000小时更换一次液压油。

- 1.This power unit is of S3 duty cycle, i.e., non-continuous operation, 30 seconds on and 270 seconds off.
- 2.Clean all the hydraulic parts concerned before mounting the power unit.
- 3.Viscosity of the hydraulic oil should be 15-68 cst, which should also be clean and free of impurities. N46 hydraulic oil is recommended.
- 4.This power unit should be mounted vertically.
- 5.Check the oil level in the tank after the first start of the power unit.
- 6.Oil changing is required after the initial 100 operation hours, afterwards once every 3000 hours.

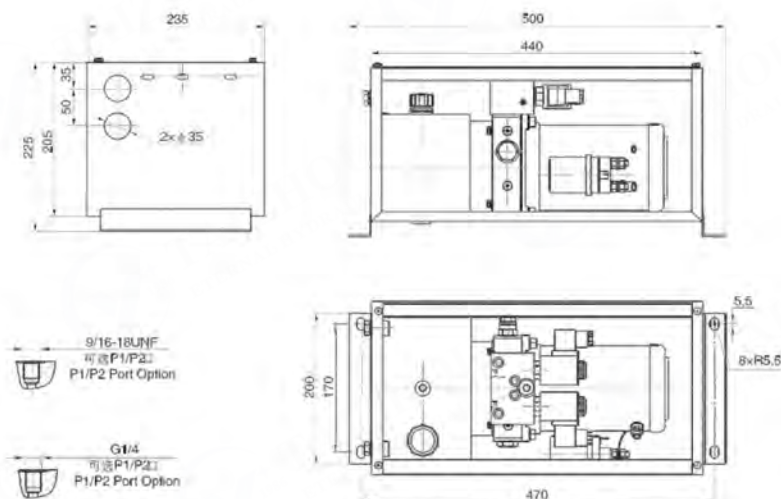
I Product Introduction
产品简介

此动力单元有两条独立的油路，分别用于控制轻型垃圾车尾板装置的提升缸和翻转缸，油缸的下降速度由压力补偿流量阀自动调节。本动力单元还可用于其他各种需要两条独立液压油源的情况，比如：双托盘车、子母剪升降台等。

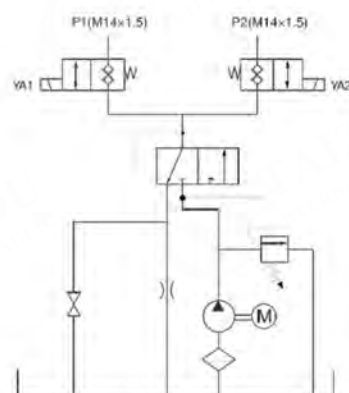
Equipped with two zero leakage double-check solenoid valves, this power unit has two independent circuits for the lifting cylinder and rotating cylinder of tailgate of electrical garbage truck. The lowering speed of the cylinders is regulated by the pressure compensated flow valve in the return line. This power unit can also be used in those applications where two separated hydraulic circuits are needed such as double scissors lift, double pallet mover etc.



I Outline Dimension
外形尺寸图



I Hydraulic Circuit Diagram
系统工作原理



I Model Specifications
型号规格说明

Model 型号	电机电压 Motor Volt	电机功率 Motor Power	额定转速 Rated Speed	油泵排量 Displacement	溢流阀压力 System Pressure	邮箱容量 Tank Capacity
HPU5-D1.6A9A30/WUCTT2	48VDC	2KW	2500RPM	1.6ml/r	12MPa	3L

说明：1.如需不同流量的泵、压力、电机功率等系统参数，请查看液压动力单元型号说明或与销售联系。

Remark: 1.Please go to page 1 or consult our sales engineer for the different pump displacement, motor power or tank capacity.

I Special Notes
注意事项

- 1.此动力单元为S3工作制，不可连续运转，30秒开，270秒停。
- 2.安装前必须保证油缸、油管、接头等液压元件清洁无任何杂质粘附。
- 3.液压油粘度应为15~68CST，应清洁无杂质，推荐使用N46号液压油。
- 4.本液压动力单元适用于卧式安装。
- 5.首次启动运行系统后，应立即检查油箱中的油量是否充足。
- 6.系统使用第一个100小时后，应更换液压油，以后每3000小时更换一次液压油。

- 1.This power unit is of S3 duty cycle,i.e.,non-continuous operation,30 seconds on and 270 seconds off.
- 2.Clean all the hydraulic parts concerned before mounting the power unit.
- 3.Viscosity of the hydraulic oil should be 15-68 cst, which should also be clean and free of impurities.N46 hydraulic oil is recommended.
- 4.This power unit should be mounted horizontally.
- 5.Check the oil level in the tank after the first star of the power unit.
- 6.Oil changing is required after the initial 100 operation hours, afterwards once every 3000 hours.

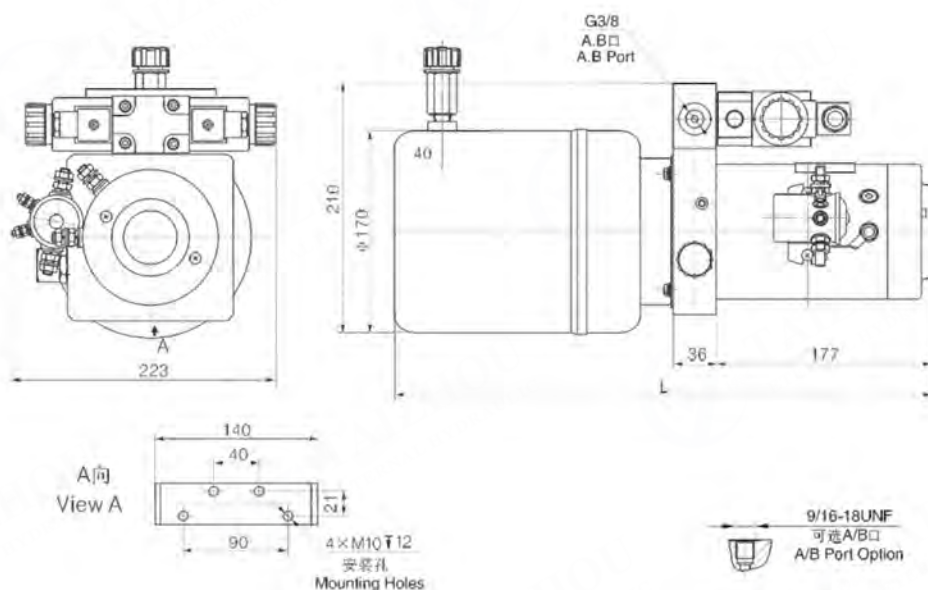
I Product Introduction 产品简介

此动力单元专为自卸车加盖改装而设计，采用高压齿轮泵、直流电机、多用集成块、电磁阀、油箱等零件组成系统。由电磁换向阀的换向来实现密封盖的启闭，密封盖的启闭速度由可调节流阀进行调节。

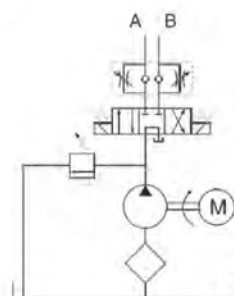
Used to operate a double action cylinder of the dumping truck covering mechanism, this power unit consists of high pressure gear pump, DC motor, multi-functional manifold, valves and oil tank, etc. The opening and closing actions of the covers are controlled by a solenoid directional valve, while the speed is adjusted by the throttles.



I Outline Dimension 外形尺寸图



I Hydraulic Circuit Diagram 系统工作原理



I Model Specifications 型号规格说明

Model 型号	电机电压 Motor Volt	电机功率 Motor Power	额定转速 Rated Speed	油泵排量 Displacement	溢流阀压力 System Pressure	邮箱容量 Tank Capacity	L(mm)
HPU-F1.6A1W8/1	12VAC	1.5KW	2500RPM	1.6 ml/r	18MPa	3.5L	448
HPU-F2.5B2A8/1	24VAC	2KW		2.5 ml/r		5L	463

说明: 1.如需不同流量的泵、压力、电机功率等系统参数, 请查看液动力单元型号说明或与销售联系。

Remark: 1. Please go to page 1 or consult our sales engineer for the different pump displacement, motor power or tank capacity.

I Special Notes 注意事项

- 1.此动力单元为S3工作制, 不可连续运转, 30秒开, 270秒停。
- 2.安装前必须保证油缸、油管、接头等液压元件清洁无任何杂质粘附。
- 3.液压油粘度应为15~68CST, 应清洁无杂质, 推荐使用N46号液压油。
- 4.本液动力单元适用于卧式安装。
- 5.首次启动运行系统后, 应立即检查油箱中的油量是否充足。
- 6.系统使用第一个100小时后, 应更换液压油, 以后每3000小时更换一次液压油。

- 1.This power unit is of S3 duty cycle,i.e.,non-continuous operation,30 seconds on and 270 seconds off.
- 2.Clean all the hydraulic parts concerned before mounting the power unit.
- 3.Viscosity of the hydraulic oil should be 15-68 cst, which should also be clean and free of impurities.N46 hydraulic oil is recommended.
- 4.This power unit should be mounted horizontally.
- 5.Check the oil level in the tank after the first star of the power unit.
- 6.Oil changing is required after the initial 100 operation hours, afterwards once every 3000 hours.

I Product Introduction 产品简介

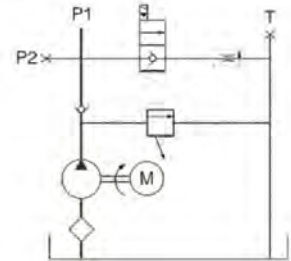
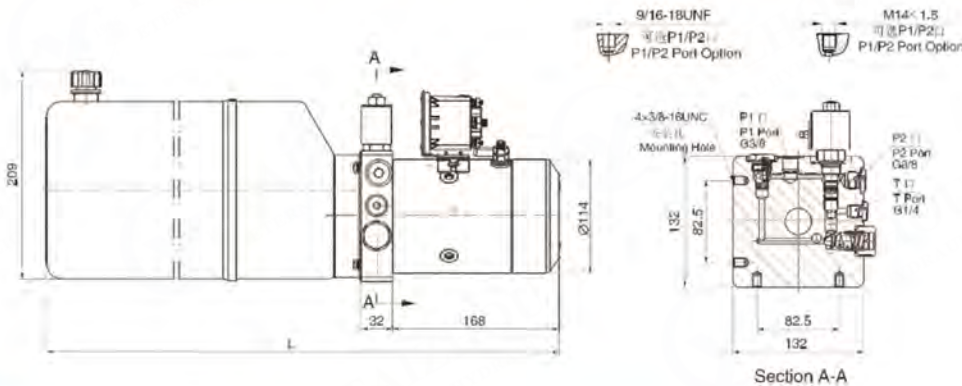
此液压动力单元由高压齿轮油泵、直流电机、多用集成块、液压阀、油箱等零部件有机结合为一体，系典型的动力上升、重力下降液压回路。启动电机，实现上升，打开电磁卸荷阀，实现下降，下降速度由内置平衡阀自动控制。本系列产品是各种堆高车、小型升降平台等物流设备的理想动力源。

Equipped with a high pressure gear pump, a DC motor, a multi-functional manifold, valves and a tank etc. This power unit features power up gravity down function. Start the motor to lift the machine and the lowering movement is activated by the solenoid valve with the lowering speed controlled by the pressure compensated flow control valve. Products of this series can be widely used in the industry of logistic devices such as fork lift, mini lift table etc.



I Outline Dimension 外形尺寸图

I Hydraulic Circuit Diagram 系统工作原理



I Model Specifications 型号规格说明

Model 型号	电机电压 Motor Volt	电机功率 Motor Power	额定转速 Rated Speed	油泵排量 Displacement	溢流阀压力 System Pressure	邮箱容量 Tank Capacity	电磁阀电压 Solenoid Valve Volt	L(mm)
HPU5-F1.2A1W2/WUAAD9	12VDC	1.5KW	2500RPM	1.2ml/r	20MPa	3.5L	12VDC	409
HPU5-F1.6B1W2/WUAAD9				1.6ml/r		5L		459
HPU5-F2.1B1W2/WUAAD9				2.1ml/r		5L		459
HPU5-F2.1B2A2/WUABD9	24VDC	2.2KW		2.1ml/r		6L	24VDC	509
HPU5-F2.5C2A2/WUABD9				2.5ml/r		8L		579
HPU5-F2.7C2A2/WUABD9				2.7ml/r		8L		579

说明: 1.如需不同流量的泵、压力、电机功率等系统参数, 请查看液压动力单元型号说明或与销售联系。

2.如需手动应急放油装置请在订货时说明。

Remark: 1.Please go to page 1 or consult our sales engineer for the different pump displacement, motor power or tank capacity.

2.The manual override function is available on request.

I Special Notes 注意事项

- 1.此动力单元为S3工作制, 不可连续运转, 30秒开、270秒停。
- 2.安装前必须保证油缸、油管、接头等液压元件清洁无任何杂质粘附。
- 3.液压油粘度应为15~68CST, 应清洁无杂质, 推荐使用N46号液压油。
- 4.系统使用第一个100小时后, 应更换液压油, 以后每3000小时更换一次液压油。
- 5.本液压动力单元适用于水平安装。

1.The duty of this power unit is S3,i.e.,30 seconds on and 270 seconds off.

2.Clean all the hydraulic parts concerned before mounting the power unit.

3.Viscosity of the hydraulic oil should be 15~68 cst, which should also be clean and free of impurities.N46 hydraulic oil is recommended.

4.Oil changing is required after the initial 100 operation hours, afterwards once every 3000 hours.

5.The power unit should be mounted horizontally.

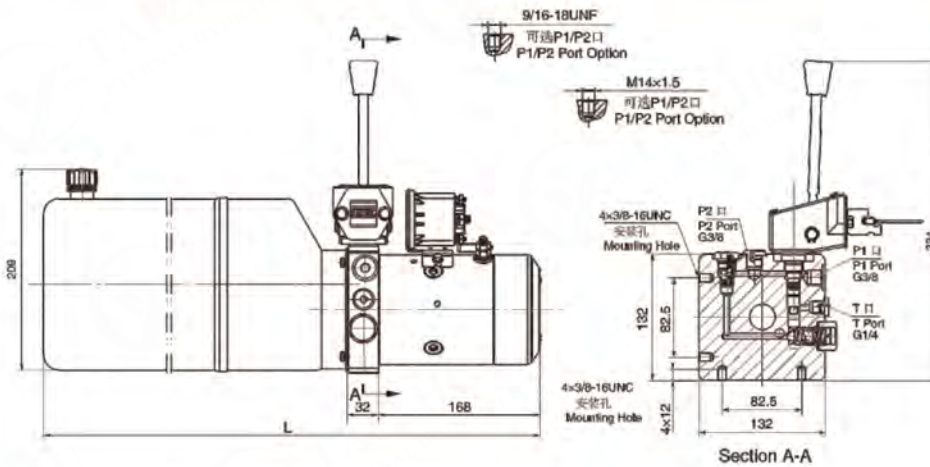
I Product Introduction 产品简介

此液动力单元专为堆高车设计,由高压齿轮油泵、直流电机、多用集成块、液压阀、油箱等零部件有机结合为一体。手动卸荷阀上带有控制开关,堆高车的升和降由卸荷阀的手柄控制,下降速度由内置平衡阀自动控制。

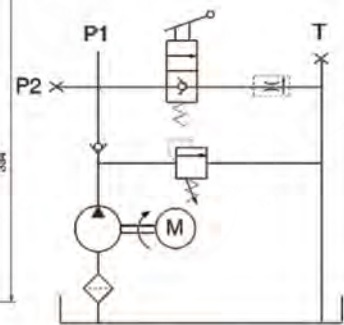
This power unit is designed exclusively for the fork lift, consisting of high pressure gear pump, DC motor, multi-functional manifold, valves, tank, ect. The up and down movements are controlled by the level of the manual release valve, which is equipped with an electric switch for the motor start. The lowering speed is automatically adjusted by the pressure compensated flow control valve.



I Outline Dimension 外形尺寸图



I Hydraulic Circuit Diagram 系统工作原理



I Model Specifications 型号规格说明

Model 型号	电机电压 Motor Volt	电机功率 Motor Power	额定转速 Rated Speed	油泵排量 Displacement	溢流阀压力 System Pressure	邮箱容量 Tank Capacity	L(mm)
HPU5-F1.2A1W1/WUAZD9	12VDC	1.5KW	2500RPM	1.2ml/r	20MPa	3.5L	409
HPU5-F1.6B1W1/WUAZD9				1.6ml/r		5L	459
HPU5-F2.1B1W1/WUAZD9				2.1ml/r		5L	459
HPU5-F2.1B2A1/WUAZD9	2.1ml/r	6L		509			
HPU5-F2.5C2A1/WUAZD9	24VDC	2.2KW		2.5ml/r		8L	579
HPU5-F2.7C2A1/WUAZD9				2.7ml/r		8L	579

说明: 1.如需不同流量的泵、压力、电机功率等系统参数, 请查看液动力单元型号说明或与销售联系。

Remark: 1.Please go to page 1 or consult our sales engineer for the different pump displacement, motor power or tank capacity.

I Special Notes 注意事项

- 1.此动力单元为S3工作制, 不可连续运转, 30秒开、270秒停。
- 2.安装前必须保证油缸、油管、接头等液压元件清洁无任何杂质粘附。
- 3.液压油粘度应为15~68CST, 应清洁无杂质, 推荐使用N46号液压油。
- 4.系统使用第一个100小时后, 应更换液压油, 以后每3000小时更换一次液压油。
- 5.本液动力单元适用于水平安装。

- 1.The duty of this power unit is S3,i.e.,30 seconds on and 270 seconds off.
- 2.Clean all the hydraulic parts concerned before mounting the power unit.
- 3.Viscosity of the hydraulic oil should be 15~68 cst, which should also be clean and free of impurities.N46 hydraulic oil is recommended.
- 4.Oil changing is required after the initial 100 operation hours, afterwards once every 3000 hours.
- 5.The power unit should be mounted horizontally.

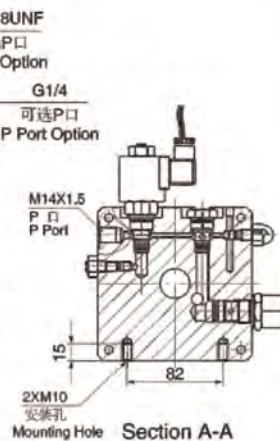
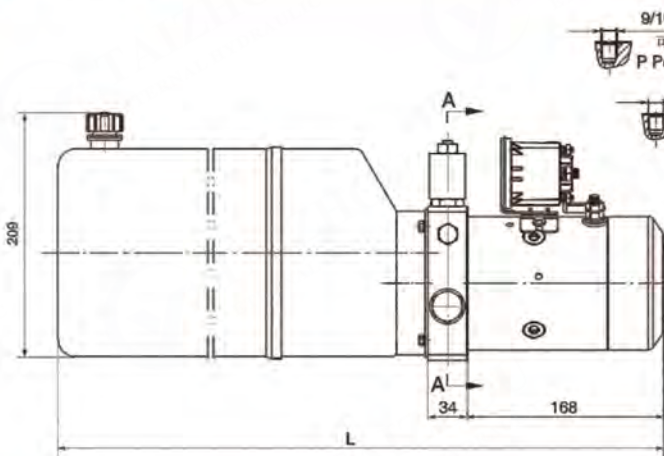
I Product Introduction 产品简介

此液压动力单元由高压齿轮油泵、直流电机、多用集成块、液压阀、油箱等零部件有机结合为一体，广泛应用于堆高车、升降平台。电磁卸荷阀卸荷实现回油，下降速度由可调节流阀控制，备用手动卸荷阀用于停电时下降。

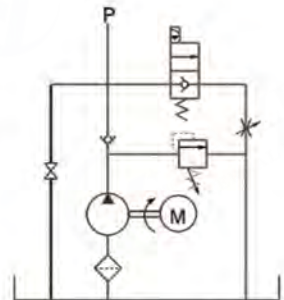
Consisting of high pressure gear pump, DC motor, multi-functional manifold, valves and tank, this power unit has been widely used in the industry of logistic devices such as fork lift, mini lift table and scissors lift. The lowering movement is controlled by the solenoid valve with the lower speed controlled by adjustable throttle valve. The needle release valve is used for lowering movement in case of power failure.



I Outline Dimension 外形尺寸图



I Hydraulic Circuit Diagram 系统工作原理



I Model Specifications 型号规格说明

Model 型号	电机电压 Motor Volt	电机功率 Motor Power	额定转速 Rated Speed	油泵排量 Displacement	溢流阀压力 System Pressure	邮箱容量 Tank Capacity	电磁阀电压 Solenoid Valve Volt	L(mm)
HPU5-F1.2A1W2/WUAAG9	12VDC	1.5KW	2500RPM	1.2ml/r	20MPa	3.5L	12VDC	411
HPU5-F1.6B1W2/WUAAG9				1.6ml/r		5L		464
HPU5-F2.1B1W2/WUAAG9				2.1ml/r		5L		461
HPU5-F2.1B2A2/WUABG9	24VDC	2.2KW	2500RPM	2.1ml/r	20MPa	6L	24VDC	511
HPU5-F2.5C2A2/WUABG9				2.5ml/r		8L		581
HPU5-F2.7C2A2/WUABG9				2.7ml/r		8L		581

说明: 1.如需不同流量的泵、压力、电机功率等系统参数，请查看液压动力单元型号说明或与销售联系。

2.如需手动应急放油装置请在订货时说明。

Remark: 1.Please go to page 1 or consult our sales engineer for the different pump displacement, motor power or tank capacity.

2.The manual override function is available on request.

I Special Notes 注意事项

- 1.此动力单元为S3工作制，不可连续运转，30秒开、270秒停。
- 2.安装前必须保证油缸、油管、接头等液压元件清洁无任何杂质粘附。
- 3.液压油粘度应为15~68CST，应清洁无杂质，推荐使用N46号液压油。
- 4.系统使用第一个100小时后，应更换液压油，以后每3000小时更换一次液压油。
- 5.本液压动力单元适用于水平安装。

1.The duty of this power unit is S3,i.e.,30 seconds on and 270 seconds off.

2.Clean all the hydraulic parts concerned before mounting the power unit.

3.Viscosity of the hydraulic oil should be 15~68 cst, which should also be clean and free of impurities.N46 hydraulic oil is recommended.

4.Oil changing is required after the initial 100 operation hours, afterwards once every 3000 hours.

5.The power unit should be mounted horizontally.

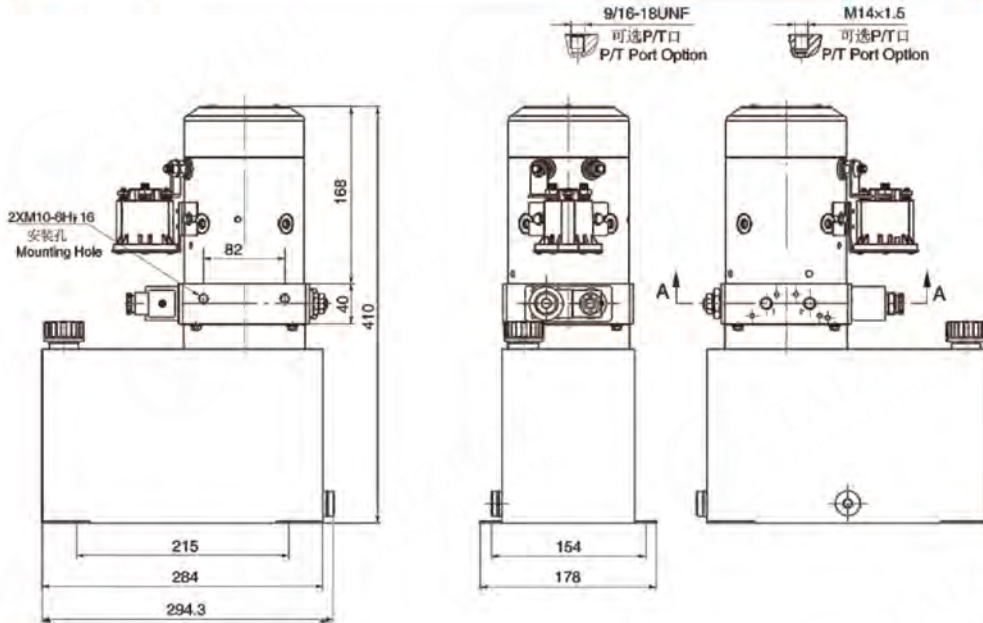
I Product Introduction 产品简介

此液压动力单元由高压齿轮油泵、直流电机、多用集成块、液压阀、油箱等零部件有机结合为一体,系典型的动力上升、重力下降液压回路。启动电机,实现上升,打开电磁卸荷阀,实现下降,下降速度由内置平衡阀自动控制。本系列产品是各种堆高车、小型升降平台等物流设备的理想动力源。

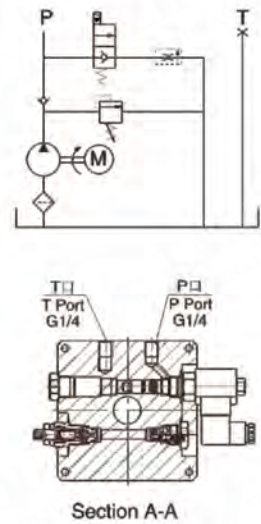
Equipped with a high pressure gear pump, a DC motor, a multi-functional manifold, valves and a tank, ect. This power unit features power up gravity down actions. Start the motor to lift the machine and the lowering movement is activated by the solenoid valve with the lowering speed controlled by the pressure compensated flow control valve. The products are widely used in the industry of logistic devices such as fork lift, mini lift table etc.



I Outline Dimension 外形尺寸图



I Hydraulic Circuit Diagram 系统工作原理



I Model Specifications 型号规格说明

Model 型号	电机电压 Motor Volt	电机功率 Motor Power	额定转速 Rated Speed	油泵排量 Displacement	溢流阀压力 System Pressure	邮箱容量 Tank Capacity	电磁阀电压 olenoid Valve Volt
HPU5-F1.2B1W2/WUDAN9	12VDC	1.5KW	2500RPM	1.2ml/r	20MPa	6L	12VDC
HPU5-F1.6B1W2/WUDAN9				1.6ml/r			
HPU5-F2.7B2A2/WUDBN9	24VDC	2KW		2.7ml/r			24VDC
HPU5-F2.5B2A2/WUDBN9				2.5ml/r			

说明: 1.如需不同流量的泵、压力、电机功率等系统参数, 请查看液压动力单元型号说明或与销售联系。

2.如需手动应急放油装置请在订货时说明。

Remark: 1.Please go to page 1 or consult our sales engineer for the different pump displacement, motor power or tank capacity.

2.The manual override function is available on request.

I Special Notes 注意事项

- 1.此动力单元为S3工作制, 不可连续运转, 30秒开、270秒停。
- 2.安装前必须保证油缸、油管、接头等液压元件清洁无任何杂质粘附。
- 3.液压油粘度应为15~68CST, 应清洁无杂质, 推荐使用N46号液压油。
- 4.首次启动运行系统后, 应立即检查油箱中的油量是否充足。
- 5.系统使用第一个100小时后, 应更换液压油, 以后每3000小时更换一次液压油。

- 1.The duty of this power unit is S3,i.e.,30 seconds on and 270 seconds off.
- 2.Clean all the hydraulic parts concerned before mounting the power unit.
- 3.Viscosity of the hydraulic oil should be 15~68 cst, which should also be clean and free of impurities.N46 hydraulic oil is recommended.
- 4.Check the oil level in the tank after the initial operation of the power unit.
- 5.Oil changing is required after the initial 100 operation hours, afterwards once every 3000 hours.

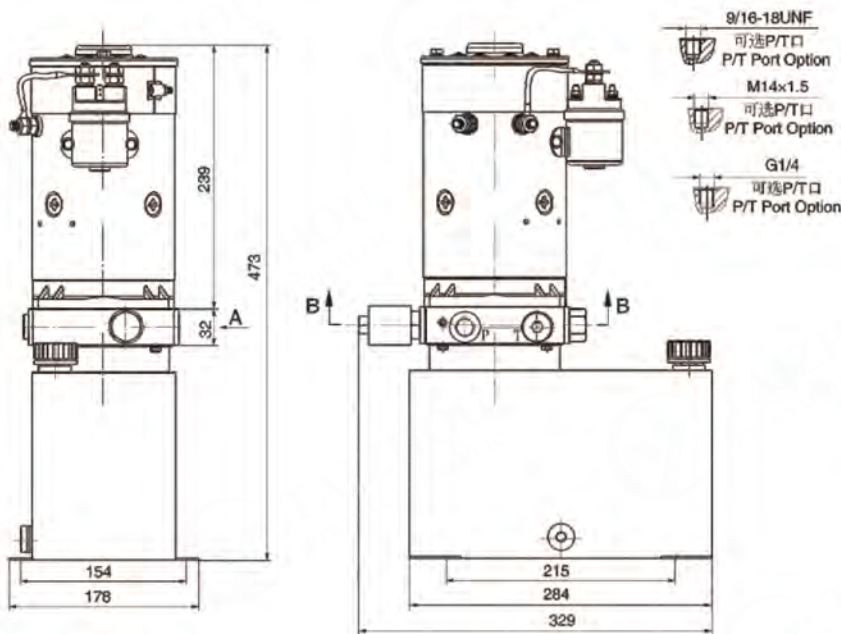
I Product Introduction 产品简介

此液压力单元由高压齿轮油泵、直流电机、多用集成块、液压阀、油箱等部件有机结合为一体，系典型的动力上升、重力下降液压回路。启动电机，实现上升，打开电磁卸荷阀，实现下降，下降速度由内置平衡阀自动控制。

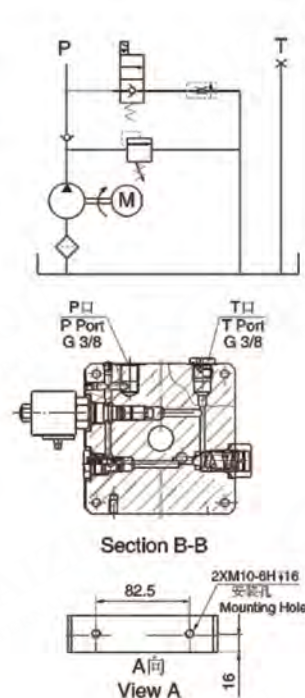
Equipped with a high pressure gear pump, a DC motor, a multi-functional manifold, valves and a tank, ect., this power unit is a typical power up gravity down hydraulic system. Start the motor to lift the machine and the lowering movement is activated by the solenoid valve with the lowering speed controlled by the pressure compensated flow control valve.



I Outline Dimension 外形尺寸图



I Hydraulic Circuit Diagram 系统工作原理



I Model Specifications 型号规格说明

Model 型号	电机电压 Motor Volt	电机功率 Motor Power	额定转速 Rated Speed	油泵排量 Displacement	溢流阀压力 System Pressure	邮箱容量 Tank Capacity	电磁阀电压 Solenoid Valve Volt
HPU5-F2.5B2B2/WUDBT1	24VDC	3 KW	2500RPM	2.5ml/r	20MPa	6L	24VDC
HPU5-F2.7B2B2/WUDBT1				2.7ml/r			
HPU5-F3.2B2B2/WUDBT1				3.2ml/r			

说明: 1.如需不同流量的泵、压力、电机功率等系统参数, 请查看液压力单元型号说明或与销售联系。
2.如需手动应急放油装置请在订货时说明。

Remark: 1.Please go to page 1 or consult our sales engineer for the different pump displacement, motor power or tank capacity.
2.The manual override function is available on request.

I Special Notes 注意事项

- 1.此动力单元为S3工作制, 不可连续运转, 30秒开、270秒停。
- 2.安装前必须保证油缸、油管、接头等液压元件清洁无任何杂质粘附。
- 3.液压油粘度应为15~68CST, 应清洁无杂质, 推荐使用N46号液压油。
- 4.系统使用第一个100小时后, 应更换液压油, 以后每3000小时更换一次液压油。
- 5.本液压力单元适用于水平安装。
- 1.The duty of this power unit is S3,i.e.,30 seconds on and 270 seconds off.
- 2.Clean all the hydraulic parts concerned before mounting the power unit.
- 3.Viscosity of the hydraulic oil should be 15~68 cst, which should also be clean and free of impurities.N46 hydraulic oil is recommended.
- 4.Oil changing is required after the initial 100 operation hours, afterwards once every 3000 hours.
- 5.The power unit should be mounted horizontally.

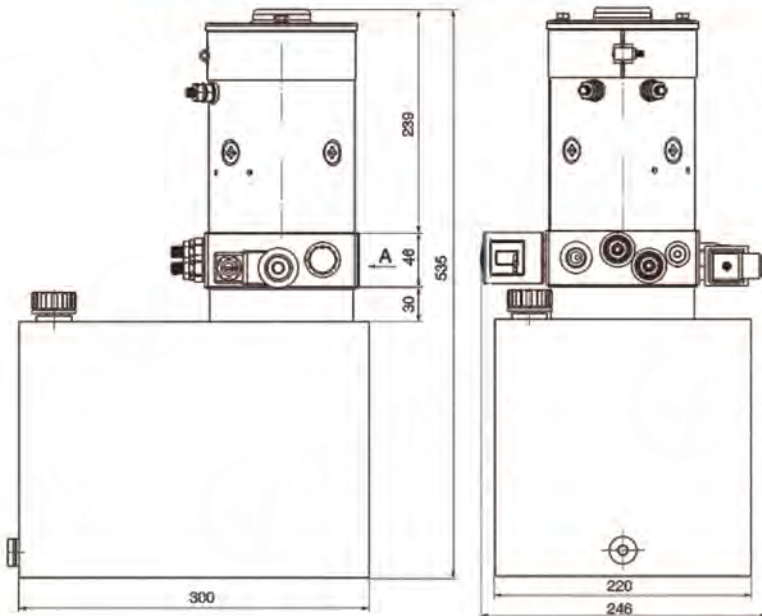
I Product Introduction 产品简介

此液压动力单元由高压齿轮油泵、直流电机、多用集成块、液压阀、油箱等零部件有机结合为一体，系典型的动力上升，重力下降液压回路。打开电磁换向阀，启动电机，实现上升，关闭电磁换向阀，打开电液比例阀，实现下降，下降速度由电液比例阀的输入电流信号及可调压力补偿节流阀共同控制。

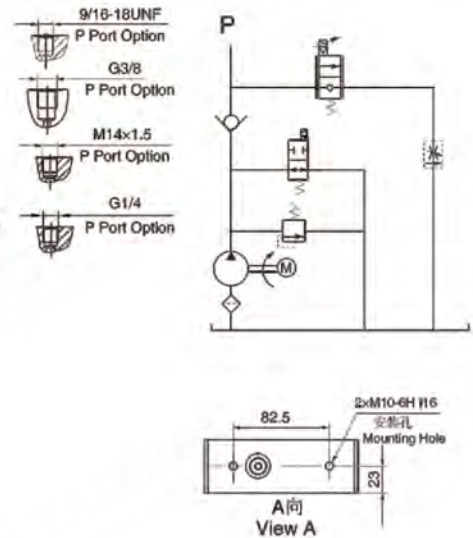
Equipped with a high pressure gear pump, a DC motor, a multi-functional manifold, valves and a tank, etc. This power unit features power up gravity down actions. Start the motor and energize the 2-way solenoid directional valve to lift the machine, and energize the electro-hydraulic proportional valve to achieve lowering movement. The lowering speed is controlled by the electro hydraulic proportional valve as well as the pressure compensated flow control valve.



I Outline Dimension 外形尺寸图



I Hydraulic Circuit Diagram 系统工作原理



I Model Specifications 型号规格说明

Model 型号	电机电压 Motor Volt	电机功率 Motor Power	额定转速 Rated Speed	油泵排量 Displacement	溢流阀压力 System Pressure	邮箱容量 Tank Capacity	电磁阀电压 Solenoid Valve Volt	比例阀最大控制电流 Max Control Current
HPU5-F3.2E2P900/WUDBT15	24VDC	4 KW	2500RPM	3.2ml/r	20MPa	12L	24VDC	1100mAh
HPU5-F3.7E2P900/WUDBT15				3.7ml/r				
HPU5-F4.2E2P900/WUDBT15				4.2ml/r				

说明: 1.如需不同流量的泵、压力、电机功率等系统参数，请查看液压动力单元型号说明或与销售联系。

2.如需手动应急放油装置请在订货时说明。

Remark: 1.Please go to page 1 or consult our sales engineer for the different pump displacement, motor power or tank capacity.

2.The manual override function is available on request.

I Special Notes 注意事项

- 1.此动力单元为S3工作制，不可连续运转，30秒开、270秒停。
- 2.安装前必须保证油缸、油管、接头等液压元件清洁无任何杂质粘附。
- 3.液压油粘度应为15~68CST，应清洁无杂质，推荐使用N46号液压油。
- 4.系统使用第一个100小时后，应更换液压油，以后每3000小时更换一次液压油。
- 5.本液压动力单元适用于水平安装。

- 1.The duty of this power unit is S3,i.e.,30 seconds on and 270 seconds off.
- 2.Clean all the hydraulic parts concerned before mounting the power unit.
- 3.Viscosity of the hydraulic oil should be 15~68 cst, which should also be clean and free of impurities.N46 hydraulic oil is recommended.
- 4.Oil changing is required after the initial 100 operation hours, afterwards once every 3000 hours.
- 5.The power unit should be mounted horizontally.

I Product Introduction

产品简介

此液压动力单元专为大型升降平台设计,由高压齿轮油泵,交流电机、多用集成块、液压阀、油箱等零部件有机结合为一体。升降平台的下降由电磁卸荷阀卸荷实现,下降速度由可调节流阀控制。

This power unit is designed exclusively for large sized lift table, which consists of high pressure gear pump, AC motor, multifunctional manifold, valves, tank, etc. The lowering movement is activated by the solenoid valve with the speed controlled by the adjustable throttle valve.

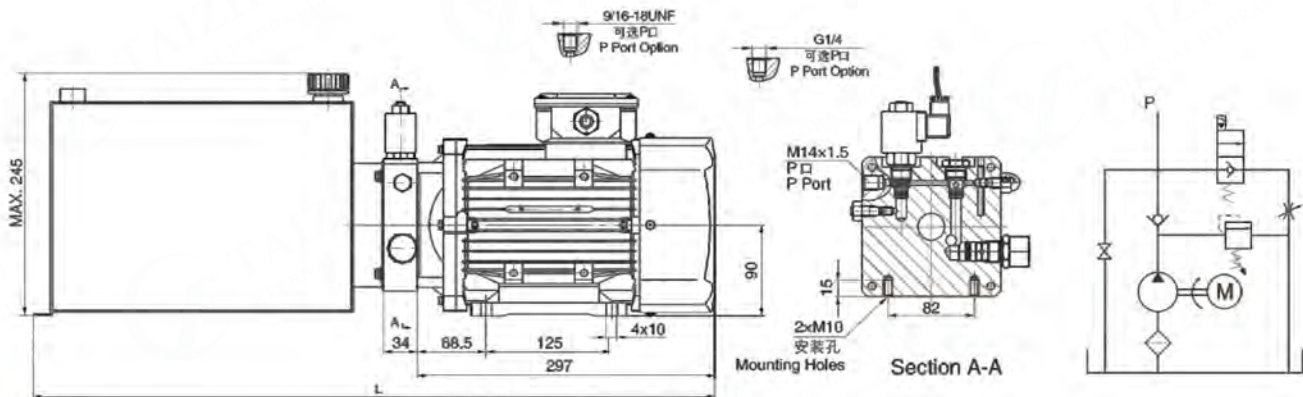


I Outline Dimension

外形尺寸图

I Hydraulic Circuit Diagram

系统工作原理



I Model Specifications

型号规格说明

Model 型号	电机电压 Motor Volt	电机功率 Motor Power	额定转速 Rated Speed	油泵排量 Displacement	溢流阀压力 System Pressure	邮箱容量 Tank Capacity	电磁阀电压 Solenoid Valve Volt	L(mm)
HPU5-F2.5E3H2/LCCAG1	220VAC	2.2KW	2850RPM	2.5ml/r	18MPA	12L	12VDC	677
HPU5-E3.2F3H2/LCCBG1				3.2ml/r	14MPA	14L	24VDC	727
HPU5-D3.7G3H2/LCCCG1				3.7ml/r	12MPA	16L	24VAC	777
HPU5-E3.7G4I2/LCCDG1	380VAC	3KW		3.7ml/r	16MPA	16L	110VAC	777
HPU5-E4.2H4I2/LCCEG1				4.2ml/r	15MPA	20L	220VAC	877
HPU5-D5J4I2/LCCEG1				5ml/r	12MPA	25L	220VAC	1002

说明: 1.如需不同流量的泵、压力、电机功率等系统参数,请查看液动力单元型号说明或与销售联系。

2.如需手动应急放油装置请在订货时说明。

Remark: 1.Please go to page 1 or consult our sales engineer for the different pump displacement, motor power or tank capacity.

2.The manual override function is available on request.

I Special Notes

注意事项

- 1.此动力单元为S3工作制,不可连续运转,30秒开、270秒停。
- 2.安装前必须保证油缸、油管、接头等液压元件清洁无任何杂质粘附。
- 3.液压油粘度应为15~68CST,应清洁无杂质,推荐使用N46号液压油。
- 4.系统使用第一个100小时后,应更换液压油,以后每3000小时更换一次液压油。
- 5.本液动力单元适用于水平安装。

- 1.The duty of this power unit is S3,i.e.,30 seconds on and 270 seconds off.
- 2.Clean all the hydraulic parts concerned before mounting the power unit.
- 3.Viscosity of the hydraulic oil should be 15~68 cst, which should also be clean and free of impurities.N46 hydraulic oil is recommended.
- 4.Oil changing is required after the initial 100 operation hours, afterwards once every 3000 hours.
- 5.The power unit should be mounted horizontally.

I Product Introduction 产品简介

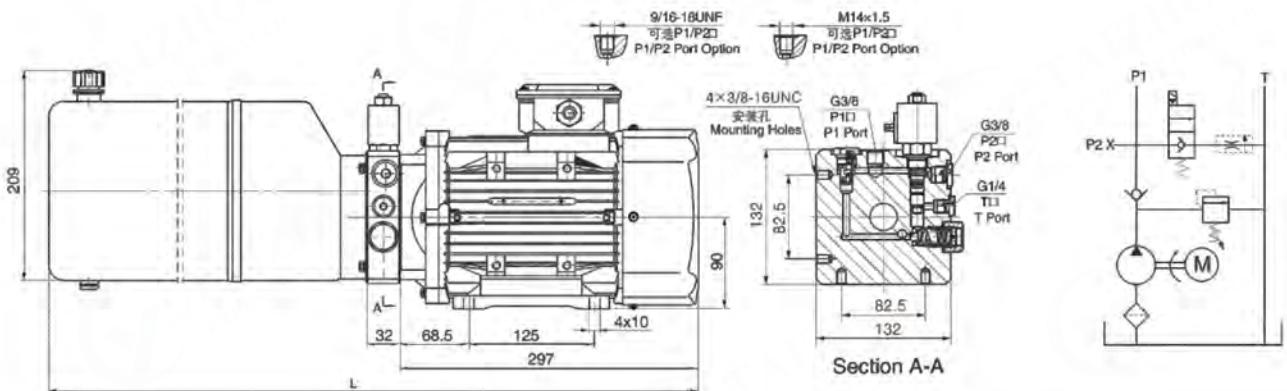
此液压力动力单元专为中、小型升降平台设计,由高压齿轮油泵、交流电机、多用集成块、液压阀、油箱等零部件有机结合为一体。升降平台的下降由电磁卸荷阀控制,下降速度由内置性平衡阀控制。

This power unit is designed exclusively for small and medium lift table, which consists of high pressure gear pump, AC motor, multifunctional manifold, valves, tank, etc. The lowering movement is activated by the solenoid valve with the speed controlled by the balance valve.



I Outline Dimension 外形尺寸图

I Hydraulic Circuit Diagram 系统工作原理



I Model Specifications 型号规格说明

Model 型号	电机电压 Motor Volt	电机功率 Motor Power	额定转速 Rated Speed	油泵排量 Displacement	溢流阀压力 System Pressure	邮箱容量 Tank Capacity	电磁阀电压 Solenoid Valve Volt	L(mm)
HPU5-F1.6B3G2/LCAAD1	220VAC	1.5KW	2850RPM	1.6ml/r	20MPA	6L	12VDC	629
HPU5-E2.1B3G2/LCABD1				2.1ml/r	16MPA	6L	24VDC	729
HPU5-D2.5C3G2/LCACD1				2.5ml/r	12MPA	8L	24VAC	699
HPU5-F2.1C4H2/LCADD1	380VAC	2.2KW		2.1ml/r	20MPA	8L	110VAC	699
HPU5-E2.5D4H2/LCAED1				2.5ml/r	16MPA	10L	220VAC	769
HPU5-E2.7E4H2/LCAED1				2.7ml/r	15MPA	12L	220VAC	869

说明: 1.如需不同流量的泵、压力、电机功率等系统参数,请查看液压力动力单元型号说明或与销售联系。
2.如需手动应急放油装置请在订货时说明。
3.如需订购CSA或UL认证,60HZ的动力单元,请在订购时说明。

Remark: 1.Please go to page 1 or consult our sales engineer for the different pump displacement, motor power or tank capacity.
2.The manual override function is available on request.
3.60HZ motors with CSA or UL certification are available upon request.

I Special Notes 注意事项

- 1.此动力单元不可连续运转(1分钟ON, 9分钟OFF), 可重复工作。
- 2.安装前必须保证油缸、油管、接头等液压元件清洁无任何杂质粘附。
- 3.液压油粘度应为15~68CST, 应清洁无杂质, 推荐使用N46号液压油。
- 4.系统使用第一个100小时后, 应更换液压油, 以后每3000小时更换一次液压油。
- 5.本液压力动力单元适用于卧式安装。

- 1.The power unit is of S3 duty, which can only be worked intermittently, ie., 1minute on and 9 minutes off.
- 2.Clean all the hydraulic parts concerned before mounting the power unit.
- 3.Viscosity of the hydraulic oil should be 15~68 cst, which should also be clean and free of impurities.N46 hydraulic oil is recommended.
- 4.Oil changing is required after the initial 100 operation hours, afterwards once every 3000 hours.
- 5.The power unit should be mounted horizontally.

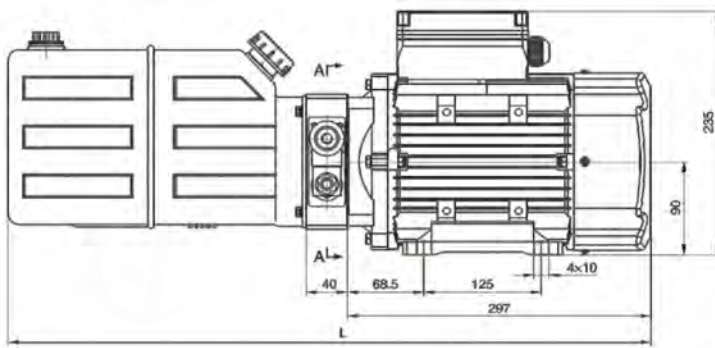
I Product Introduction 产品简介

此液压动力单元专为中、小型升降平台设计,由高压齿轮油泵、交流电机、多用集成块、液压阀、油箱等零部件有机结合为一体。升降平台的下降由电磁卸荷阀控制,下降速度由内置平衡阀控制。

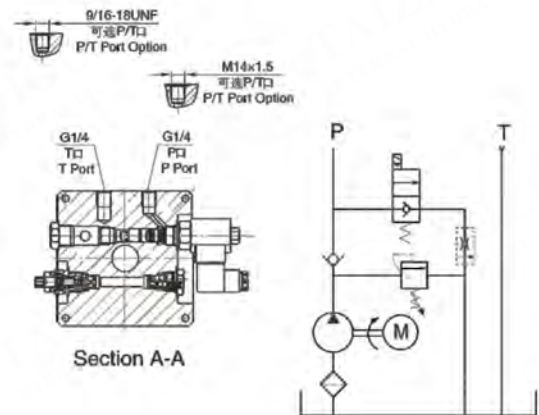
Designed exclusively for lift tables, this power unit consists of high pressure gear pump, AC motor, multi-functional manifold, valves, tank, etc. Start the motor to fulfill the lifting function while the lowering movement is activated by the solenoid valve with the lowering speed controlled by the pressure compensated flow control valve.



I Outline Dimension 外形尺寸图



I Hydraulic Circuit Diagram 系统工作原理



I Model Specifications 型号规格说明

Model 型号	电机电压 Motor Volt	电机功率 Motor Power	额定转速 Rated Speed	油泵排量 Displacement	溢流阀压力 System Pressure	邮箱容量 Tank Capacity	电磁阀电压 Solenoid Valve Volt	L(mm)
HPU5-F2.1B3G2/LBUAN1	220VAC	1.5KW	1450RPM	2.1ml/r	20MPA	5L	12VDC	627
HPU5-F2.7B3G2/LBUBN1				2.7ml/r	20MPA	6L	24VDC	672
HPU5-E3.2C3G2/LBUCN1				3.2ml/r	12MPA	8L	24VAC	777
HPU5-F2.1C4H2/LCUDN1	380VAC	2.2KW	2850RPM	2.1ml/r	20MPA	8L	110VAC	777
HPU5-F2.7D4H2/LCUEN1				2.7ml/r	20MPA	10L	220VAC	867
HPU5-E3.2E4H2/LCUEN1				3.2ml/r	16MPA	12L	220VAC	887

说明: 1.如需不同流量的泵、压力、电机功率等系统参数,请查看液压动力单元型号说明或与销售联系。
2.如需手动应急放油装置请在订货时说明。
3.如需订购CSA或UL认证,60HZ的动力单元,请在订购时说明。

Remark: 1.Please go to page 1 or consult our sales engineer for the different pump displacement, motor power or tank capacity.
2.The manual override function is available on request.
3.60HZ motors with CSA or UL certification are available upon request.

I Special Notes 注意事项

- 1.此动力单元不可连续运转(1分钟ON,9分钟OFF),可重复工作。
 - 2.安装前必须保证油缸、油管、接头等液压元件清洁无任何杂质粘附。
 - 3.液压油粘度应为15~68CST,应清洁无杂质,推荐使用N46号液压油。
 - 4.系统使用第一个100小时后,应更换液压油,以后每3000小时更换一次液压油。
 - 5.本液压动力单元适用于卧式安装。
- 1.The power unit is of S3 duty, which can only be worked intermittently, i.e., 1 minute on and 9 minutes off.
 - 2.Clean all the hydraulic parts concerned before mounting the power unit.
 - 3.Viscosity of the hydraulic oil should be 15~68 cst, which should also be clean and free of impurities.N46 hydraulic oil is recommended.
 - 4.Oil changing is required after the initial 100 operation hours, afterwards once every 3000 hours.
 - 5.The power unit should be mounted horizontally.

I Product Introduction

产品简介

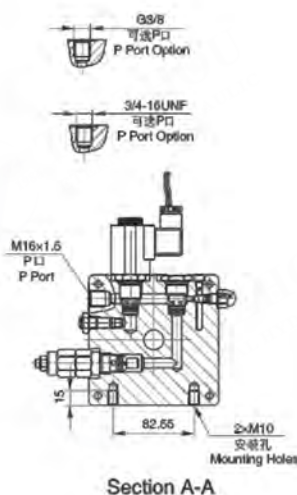
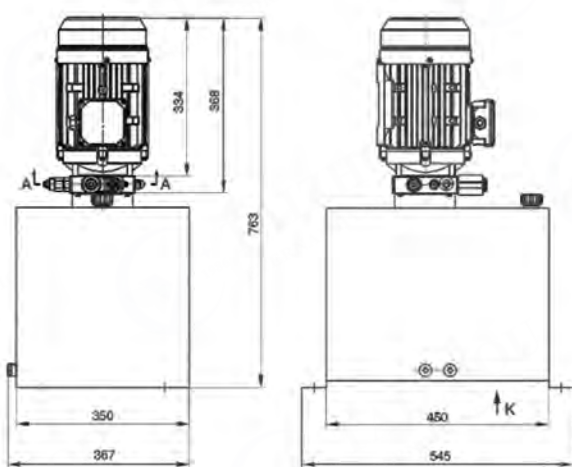
此液动力单元专为大型升降平台设计,由高压齿轮油泵、交流电机、多用集成块、液阀、油箱等零部件有机结合为一体。升降平台的下降由电磁卸荷阀控制,下降速度由内置平衡阀控制。当升降平台升到高处而系统电源出现故障时,通过手动放油功能使升降平台下降。

This power unit is designed exclusively for the large lift table, Consisting of high pressure gear pump, AC motor, multi-functional manifold, valves, tank, etc. The lowering movement is activated by the solenoid valve and the speed controlled by the adjustable throttle valve. When the lift rises to a high position, but the power supply is cut, the lowering movement is controlled by the manual override function.



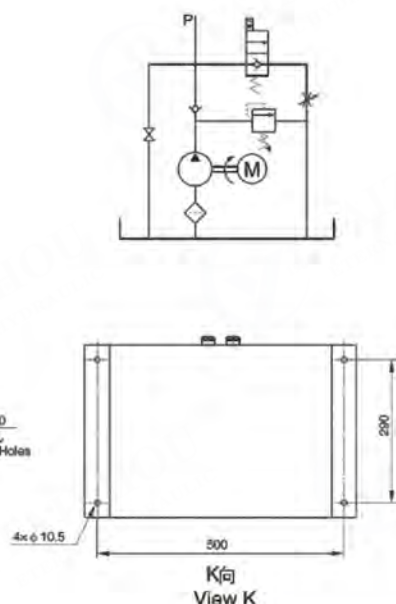
I Outline Dimension

外形尺寸图



I Hydraulic Circuit Diagram

系统工作原理



I Model Specifications

型号规格说明

Model 型号	电机电压 Motor Volt	电机功率 Motor Power	额定转速 Rated Speed	油泵排量 Displacement	溢流阀压力 System Pressure	邮箱容量 Tank Capacity	电磁阀电压 Solenoid Valve Volt
HPU5-E8L4J2/TCDBT1	380VAC	4 KW	2850RPM	8.08ml/r	16MPa	50L	24VDC
HPU5-D8L4J2/TCDAT1					10MPa		12VDC
HPU5-C8L4J2/TCDC11					6.3MPa		24VAC

说明: 1.如需不同流量的泵、压力、电机功率等系统参数,请查看液动力单元型号说明或与销售联系。

Remark: 1. Please go to page 1 or consult our sales engineer for the different pump displacement, motor power or tank capacity.

I Special Notes

注意事项

- 1.此动力单元不可连续运转(1分钟ON, 9分钟OFF), 可重复工作。
- 2.安装前必须保证油缸、油管、接头等液压元件清洁无任何杂质粘附。
- 3.液压油粘度应为15~68CST, 应清洁无杂质, 推荐使用N46号液压油。
- 4.系统使用第一个100小时后, 应更换液压油, 以后每3000小时更换一次液压油。
- 5.本液动力单元适用于立式安装。

1. The power unit is of S3 duty, which can only be worked intermittently, i.e., 1 minute on and 9 minutes off.
2. Clean all the hydraulic parts concerned before mounting the power unit.
3. Viscosity of the hydraulic oil should be 15~68 cst, which should also be clean and free of impurities. N46 hydraulic oil is recommended.
4. Oil changing is required after the initial 100 operation hours, afterwards once every 3000 hours.
5. The power unit should be mounted vertically.

I Product Introduction 产品简介

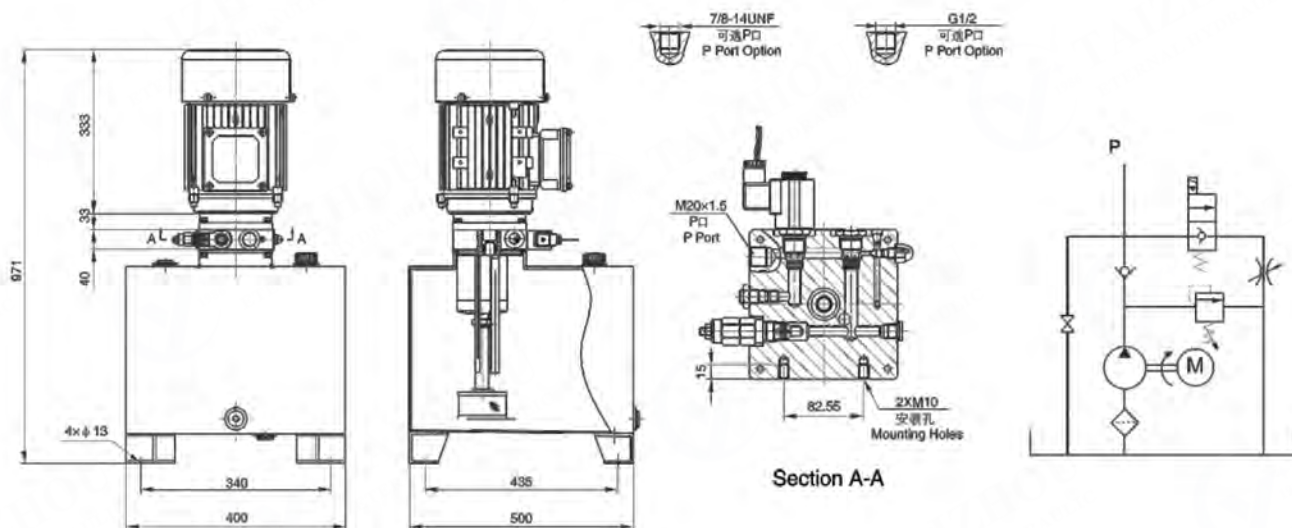
此液压动力单元专为大型升降平台设计,由高齿轮油泵、交流电机、多用集成块、液压阀、油箱等零部件有机结合为一体。升降平台的下降由电磁卸荷阀控制,下降速度由内置性平衡阀控制。

This power unit is designed exclusively for the large-lift table. Consisting of high pressure gear pump, AC motor, multi-functional manifold, valves, tank, etc. The lowering movement is activated by the solenoid valve and the speed controlled by the adjustable throttle valve.



I Outline Dimension 外形尺寸图

I Hydraulic Circuit Diagram 系统工作原理



I Model Specifications 型号规格说明

Model 型号	电机电压 Motor Volt	电机功率 Motor Power	额定转速 Rated Speed	油泵排量 Displacement	溢流阀压力 System Pressure	邮箱容量 Tank Capacity	电磁阀电压 Solenoid Valve Volt
LPU-E15P4J2/TKDAZ1	380VAC	4KW	1450RPM	15ml/r	16MPA	80L	12VDC
LPU-E15P4K2/TKDBZ1		5.5KW		15ml/r	16MPA		24VDC
LPU-E23P4K2/TKDDZ1				23ml/r	14MPA		110VAC
LPU-D28P4K2/TKDEZ1		28ml/r		12MPA	220VAC		

说明: 1.如需不同流量的泵、压力、电机功率等系统参数,请查看液压动力单元型号说明或与销售联系。

Remark: 1. Please go to page 1 or consult our sales engineer for the different pump displacement, motor power or tank capacity.

I Special Notes 注意事项

- 1.此动力单元不可连续运转(1分钟ON,9分钟OFF),可重复工作。
- 2.安装前必须保证油缸、油管、接头等液压元件清洁无任何杂质粘附。
- 3.液压油粘度应为15~68CST,应清洁无杂质,推荐使用N46号液压油。
- 4.系统使用第一个100小时后,应更换液压油,以后每3000小时更换一次液压油。
- 5.本液压动力单元适用于立式安装。

- 1.The power unit is of S3 duty, which can only be worked intermittently, ie., 1minute on and 9 minutes off.
- 2.Clean all the hydraulic parts concerned before mounting the power unit.
- 3.Viscosity of the hydraulic oil should be 15~68 cst, which should also be clean and free of impurities.N46 hydraulic oil is recommended.
- 4.Oil changing is required after the initial 100 operation hours, afterwards once every 3000 hours.
- 5.The power unit should be mounted vertically.

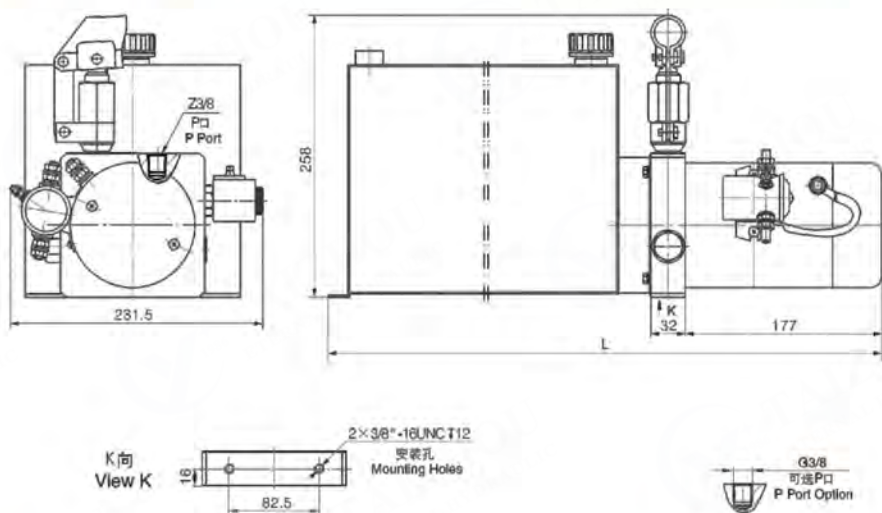
I Product Introduction 产品简介

此动力单元专为小型翻斗车设计，采用高压齿轮泵、直流电机、多用集成块、电磁阀、油箱等零件组成系统。在没有电时，手动泵可以实现上升动作，下降由电磁卸荷阀卸荷实现。

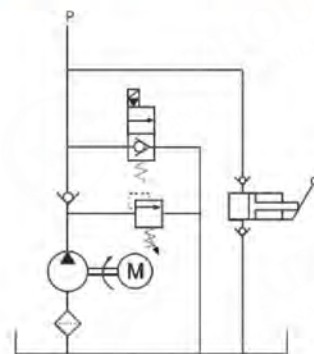
This power unit is designed exclusively for small tipper, consisting of high pressure gear pump, DC motor, multi-functional manifold, valves and tank, etc. The hand pump with a displacement of 8cc per stroke works as a backup power source of lifting the tipper in case of power failure with the lowering movement is activated by the solenoid valve.



I Outline Dimension 外形尺寸图



I Hydraulic Circuit Diagram 系统工作原理



I Model Specifications 型号规格说明

Model 型号	电机电压 Motor Volt	电机功率 Motor Power	额定转速 Rated Speed	油泵排量 Displacement	溢流阀压力 System Pressure	邮箱容量 Tank Capacity	电磁阀电压 Solenoid Valve Volt	L(mm)
HPU5-F2.1E1W27/WUCAT1	12VDC	1.5KW	2500RPM	2.1ml/r	18MPa	12L	12VDC	559
HPU5-F2.1H1W27/WUCAT1						20L		791
HPU5-F2.5E2A27/WUCBT1	24VDC	2.0KW		2.5ml/r		12L	24VDC	559
HPU5-F2.7H2A27/WUCBT1				2.7ml/r		20L		791

说明: 1.如需不同流量的泵、压力、电机功率等系统参数, 请查看液压动力单元型号说明或与销售联系。

2.如需手动应急放油装置请在订货时说明。

Remark: 1.Please go to page 1 or consult our sales engineer for the different pump displacement, motor power or tank capacity.

2.The manual override function is available on request.

I Special Notes 注意事项

- 1.此动力单元为S3工作制, 不可连续运转, 30秒开, 270秒停。
- 2.安装前必须保证油缸、油管、接头等液压元件清洁无任何杂质粘附。
- 3.液压油粘度应为15~68CST, 应清洁无杂质, 推荐使用N46号液压油。
- 4.本液压动力单元适用于卧式安装。
- 5.首次启动运行系统后, 应立即检查油箱中的油量是否充足。
- 6.系统使用第一个100小时后, 应更换液压油, 以后每3000小时更换一次液压油。

- 1.This power unit is of S3 duty cycle, i.e., non-continuous operation, 30 seconds on and 270 seconds off.
- 2.Clean all the hydraulic parts concerned before mounting the power unit.
- 3.Viscosity of the hydraulic oil should be 15-68 cst, which should also be clean and free of impurities. N46 hydraulic oil is recommended.
- 4.This power unit should be mounted horizontally.
- 5.Check the oil level in the tank after the first start of the power unit.
- 6.Oil changing is required after the initial 100 operation hours, afterwards once every 3000 hours.

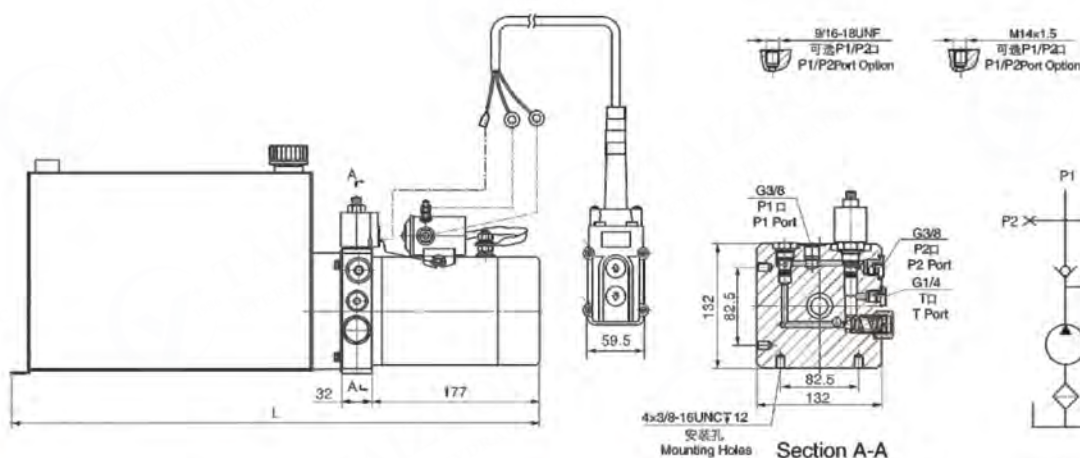
I Product Introduction 产品简介

此液压动力单元由高齿轮油泵、直流电机、多用集成块、液压阀、油箱等零部件有机结合为一体，系典型的动力上升、重力下降液压回路。启动电机，实现上升，打开电磁卸荷阀，实现下降，下降速度由内置平衡阀自动控制。广泛应用于车辆机械，园林机械等。

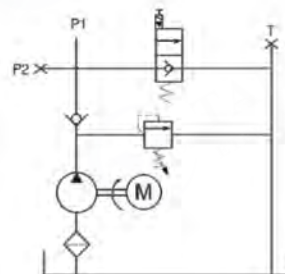
Equipped with a high pressure gear pump, a DC motor, a multifunctional manifold, valves and a tank, etc. This power unit has a power up gravity down circuit. Start the motor to lift the machine and the lowering movement is activated by the solenoid valve with the lowering speed controlled by the pressure compensated flow control valve. Products of this series are widely used in the industry of logistic devices such as automotive, garden machinery, etc.



I Outline Dimension 外形尺寸图



I Hydraulic Circuit Diagram 系统工作原理



I Model Specifications 型号规格说明

Model 型号	电机电压 Motor Volt	电机功率 Motor Power	额定转速 Rated Speed	油泵排量 Displacement	溢流阀压力 System Pressure	邮箱容量 Tank Capacity	电磁阀电压 Solenoid Valve Volt	L(mm)
HPU5-F2.1E1W2/WUCAD1/RC	12VDC	1.5KW	2500RPM	2.1ml/r	20MPa	12L	12VDC	559
HPU5-F2.5H1W2/WUCAD1/RC				2.5ml/r		20L		791
HPU5-F2.5E2A2/WUCBD1/RC	24VDC	2.0KW	2500RPM	2.5ml/r	20MPa	12L	24VDC	559
HPU5-F2.7G2A2/WUABD1/RC				2.7ml/r		16L		676

说明: 1.如需不同流量的泵、压力、电机功率等系统参数, 请查看液压动力单元型号说明或与销售联系。

2.如需手动应急放油装置请在订货时说明。

Remark: 1. Please go to page 1 or consult our sales engineer for the different pump displacement, motor power or tank capacity.

2. The manual override function is available on request.

I Special Notes 注意事项

1. 此动力单元为S3工作制, 不可连续运转, 30秒开, 270秒停。
2. 安装前必须保证油缸、油管、接头等液压元件清洁无任何杂质粘附。
3. 液压油粘度应为15~68CST, 应清洁无杂质, 推荐使用N46号液压油。
4. 本液压动力单元适用于卧式安装。
5. 首次启动运行系统后, 应立即检查油箱中的油量是否充足。
6. 系统使用第一个100小时后, 应更换液压油, 以后每3000小时更换一次液压油。

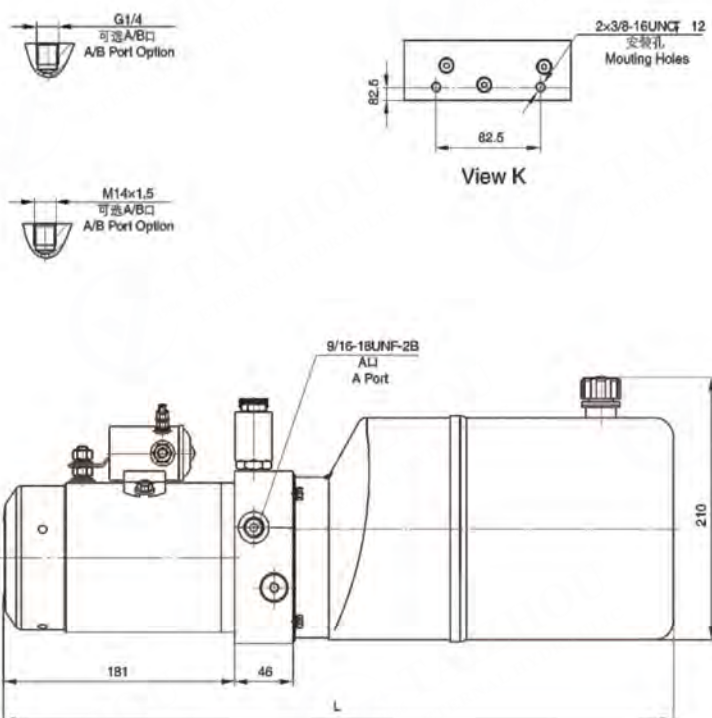
1. This power unit is of S3 duty cycle, i.e., non-continuous operation, 30 seconds on and 270 seconds off.
2. Clean all the hydraulic parts concerned before mounting the power unit.
3. Viscosity of the hydraulic oil should be 15-68 cst, which should also be clean and free of impurities. N46 hydraulic oil is recommended.
4. This power unit should be mounted horizontally.
5. Check the oil level in the tank after the first start of the power unit.
6. Oil changing is required after the initial 100 operation hours, afterwards once every 3000 hours.

I Product Introduction 产品简介

此液压动力单元由高压齿轮油泵、直流电机、多用集成块、液压阀、油箱、有线控制器等零部件有机结合为一体,系典型的动力上升、动力或重力下降液压回路。系统的第二溢流阀实现对下降压力的控制,压力补偿流量阀自动对下降速度的调整。本产品广泛应用于小型自卸车、液压绞车。

Consisting of high pressure gear pumps, DC motor, manifold, valves, tank, remote controller etc., this power unit features typical power up power or gravity down. The second relief valve provides an extra protection for the machine when lowered. The lowering speed is automatically adjusted by a pressure compensated flow control valve. These series are widely used in tipper trailers, hydraulic hoists and so on.

I Outline Dimension 外形尺寸图



I Model Specifications 型号规格说明

Model 型号	电机电压 Motor Volt	电机功率 Motor Power	额定转速 Rated Speed	油泵排量 Displacement	溢流阀压力 System Pressure	油箱容量 Tank Capacity	电磁阀电压 Solenoid Valve Volt	L(mm)
HPU5-F2.1B1W61/WUAAT1/RC	12VDC	1.5KW	2500RPM	2.1ml/r	20MPa	5L	12VDC	477
HPU5-F2.7B2A61/WUABT1/RC	24VDC	2.0KW		2.7ml/r		6L	24VDC	527

说明: 1.如需不同流量的泵、压力、电机功率等系统参数,请查看液动力单元型号说明或与销售联系。

Remark: 1. Please go to page 1 or consult our sales engineer for the different pump displacement, motor power or tank capacity.

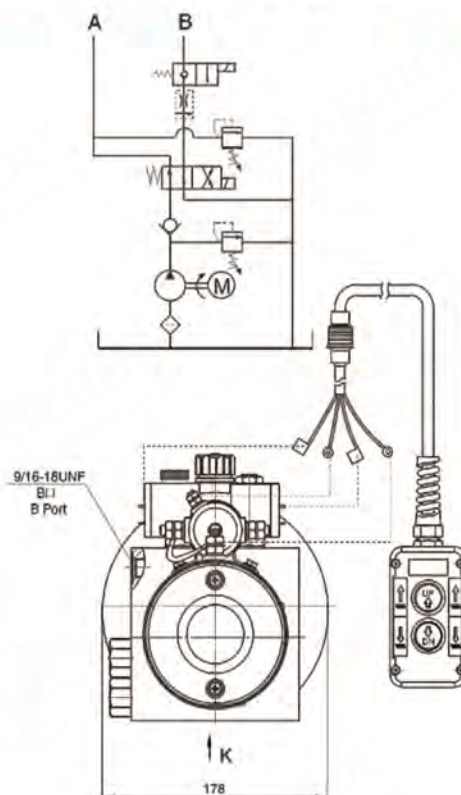
I Special Notes 注意事项

- 1.此动力单元为S3工作制,不可连续运转,30秒开、270秒停。
- 2.安装前必须保证油缸、油管、接头等液压元件清洁无任何杂质粘附。
- 3.液压油粘度应为15~68CST,应清洁无杂质,推荐使用N46号液压油。
- 4.系统使用第一个100小时后,应更换液压油,以后每3000小时更换一次液压油。
- 5.本液动力单元适用于卧式安装。

- 1.The duty of this power unit is S3,i.e.,30 seconds on and 270 seconds off.
- 2.Clean all the hydraulic parts concerned before mounting the power unit.
- 3.Viscosity of the hydraulic oil should be 15~68 cst, which should also be clean and free of impurities.N46 hydraulic oil is recommended.
- 4.Oil changing is required after the initial 100 operation hours, afterwards once every 3000 hours.
- 5.The power unit should be mounted horizontally.



I Hydraulic Circuit Diagram 系统工作原理



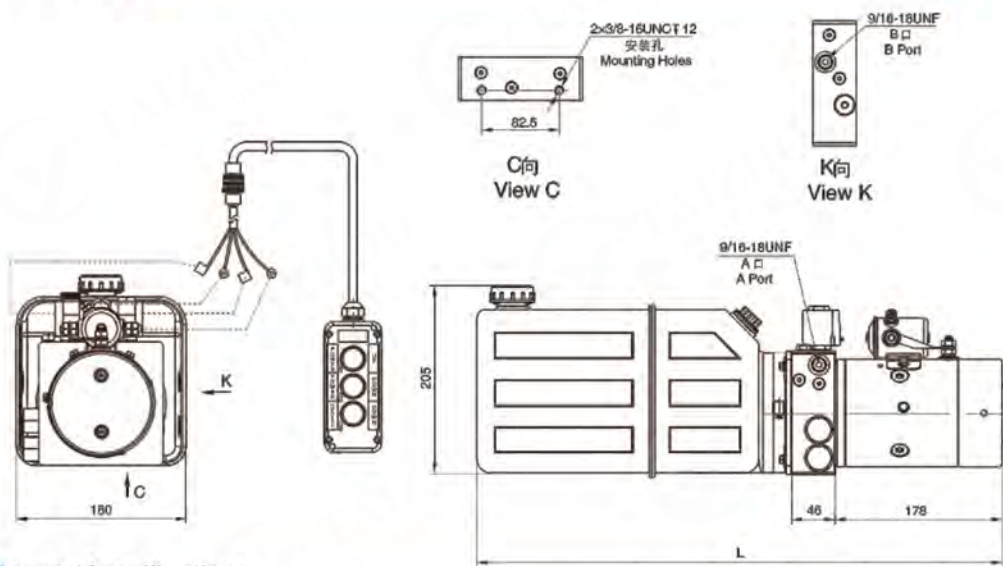
I Product Introduction 产品简介

此液压动力单元由高压齿轮油泵、直流电机、多用集成块、液压阀、油箱、有线控制器等零部件有机结合为一体，系典型的动力上升、动力或重力下降液压回路。系统的第二溢流阀实现对下降压力的控制。本产品广泛应用于小型自卸车、液压绞车。

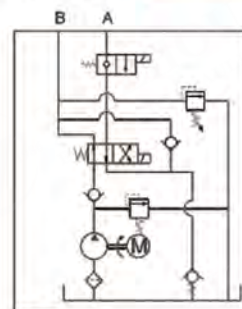
Consisting of high pressure gear pumps, DC motor, manifold, valves, tank, remote controller etc., this power unit features typical power up power or gravity down. The second relief valve provides an extra protection for the machine when lowered. These series are widely used in tipper trailers, hydraulic hoists and so on.



I Outline Dimension 外形尺寸图



I Hydraulic Circuit Diagram 系统工作原理



I Model Specifications 型号规格说明

Model 型号	电机电压 Motor Volt	电机功率 Motor Power	额定转速 Rated Speed	油泵排量 Displacement	溢流阀压力 System Pressure	邮箱容量 Tank Capacity	电磁阀电压 Solenoid Valve Volt	L(mm)
HPU5-F2.1A1A161/WUUTT1	12VDC	2KW	2500RPM	2.1ml/r	22MPa	4L	12VDC	423
HPU5-F2.1B1A161/WUUTT1						6L		558
HPU5-F2.1C1A161/WUUTT1						8L		663
HPU5-F2.1A2A161/WUUBT1	24VDC	2KW	2500RPM	2.1ml/r	22MPa	4L	24VDC	423
HPU5-F2.1B2A161/WUUBT1						6L		558
HPU5-F2.1C2A161/WUUBT1						8L		663

说明: 1.如需不同流量的泵、压力、电机功率等系统参数, 请查看液压动力单元型号说明或与销售联系。

Remark: 1.Please go to page 1 or consult our sales engineer for the different pump displacement, motor power or tank capacity.

I Special Notes 注意事项

- 1.此动力单元为S3工作制, 不可连续运转, 30秒开, 270秒停。
- 2.安装前必须保证油缸、油管、接头等液压元件清洁无任何杂质粘附。
- 3.液压油粘度应为15~68CST, 应清洁无杂质, 推荐使用N46号液压油。
- 4.本液压动力单元适用于卧式安装。
- 5.首次启动运行系统后, 应立即检查油箱中的油量是否充足。
- 6.系统使用第一个100小时后, 应更换液压油, 以后每3000小时更换一次液压油。

- 1.This power unit is of S3 duty cycle, i.e., non-continuous operation, 30 seconds on and 270 seconds off.
- 2.Clean all the hydraulic parts concerned before mounting the power unit.
- 3.Viscosity of the hydraulic oil should be 15-68 cst, which should also be clean and free of impurities. N46 hydraulic oil is recommended.
- 4.This power unit should be mounted horizontally.
- 5.Check the oil level in the tank after the first start of the power unit.
- 6.Oil changing is required after the initial 100 operation hours, afterwards once every 3000 hours.

I Product Introduction

产品简介

此动力单元专为登车桥设计,由高压齿轮泵、交流电机、多用集成块、各式液压阀、油箱等零部件有机结合为一体。主甲板上升到位后,唇板自动上升,主甲板和唇板的下降由电磁阀实现,主甲板和唇板的下降速度由节流阀调节,使下降速度在可靠的范围内。

This power unit is designed exclusively for the dock leveler,consisting of high pressure gear pump, DC motor, multifunctional manifold, valves and tank, etc. Once the ramp is fully lifted, the lip rises automatically Both lowering movements are activated by the solenoid valves with speeds adjusted by the throttles.

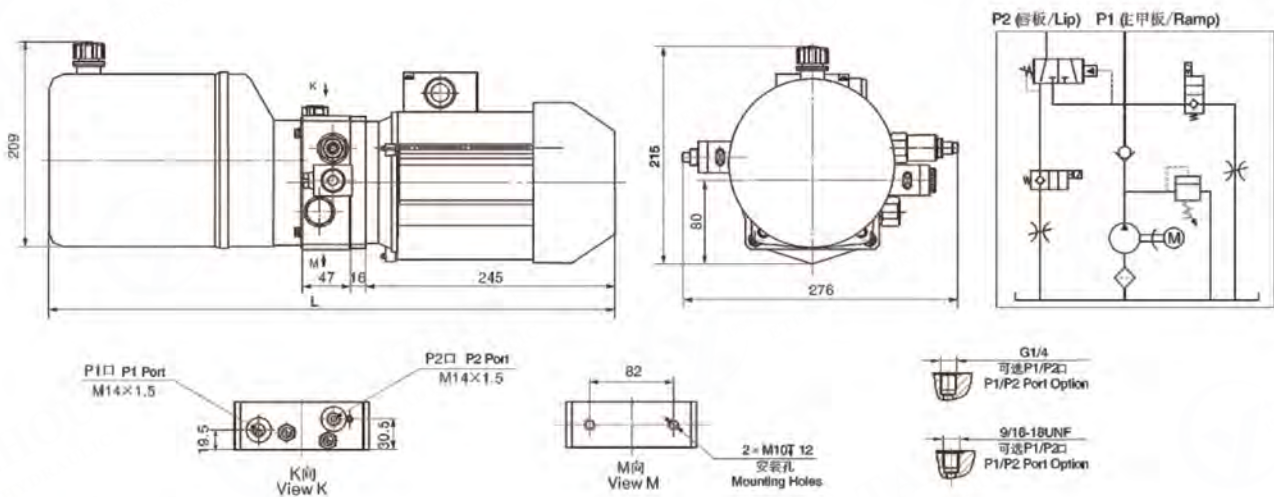


I Outline Dimension

外形尺寸图

I Hydraulic Circuit Diagram

系统工作原理



I Model Specifications

型号规格说明

Model 型号	电机电压 Motor Volt	电机功率 Motor Power	额定转速 Rated Speed	油泵排量 Displacement	溢流阀压力 System Pressure	邮箱容量 Tank Capacity	电磁阀电压 Solenoid Valve Volt	L(mm)
HPU5-E2.1B4E10/LBAPT1	380VAC	0.75KW	1450RPM	2.1ml/r	16MPa	5L	24VDC	542
HPU5-E2.7B4E10/LBAPT1				2.7ml/r	14MPa			

说明: 1.如需不同流量的泵、压力、电机功率等系统参数,请查看液动力单元型号说明或与销售联系。

2.如需手动应急放油装置请在订货时说明。

Remark: 1.Please go to page 1 or consult our sales engineer for the different pump displacement, motor power or tank capacity.

2.The manual override function is available on request.

I Special Notes

注意事项

- 1.此动力单元不可连续运转(1分钟ON, 9分钟OFF),可重复工作。
- 2.安装前必须保证油缸、油管、接头等液压元件清洁无任何杂质粘附。
- 3.液压油粘度应为15~68CST,应清洁无杂质,推荐使用N46号液压油。
- 4.首次启动运行系统后,应立即检查油箱中的油量是否充足。
- 5.系统使用第一个100小时后,应更换液压油,以后每3000小时更换一次液压油。

- 1.The power unit is of S3 duty, which can only work intermittently and repeatedly and repeatedly, i.e., 1minute on and 9minutes off.
- 2.Clean all the hydraulic parts concerned before mounting the power unit.
- 3.Viscosity of the hydraulic oil should be 15~68 cst, which should also be clean and free of impurities.N46 hydraulic
- 4.Check the oil level in the tank after the initial operation of the power unit.
- 5.Oil changing is required after the initial 100 operation hours, afterwards once every 3000 hours.

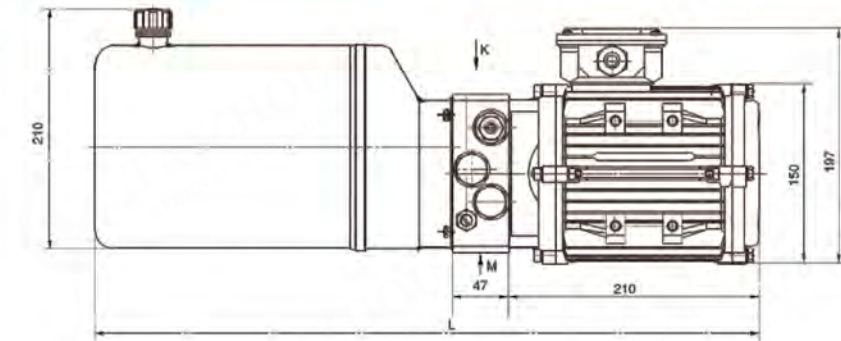
I Product Introduction 产品简介

本液压动力单元集成了高压齿轮泵、电机、液压阀、油箱等液压元件,用于主甲板浮动的登车桥控制,只需一个电气按钮就可实现整个系统的控制。

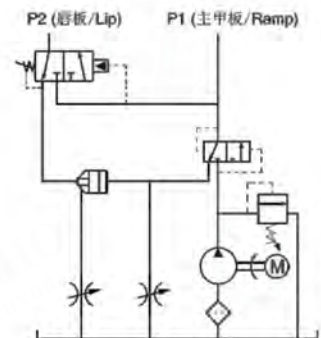
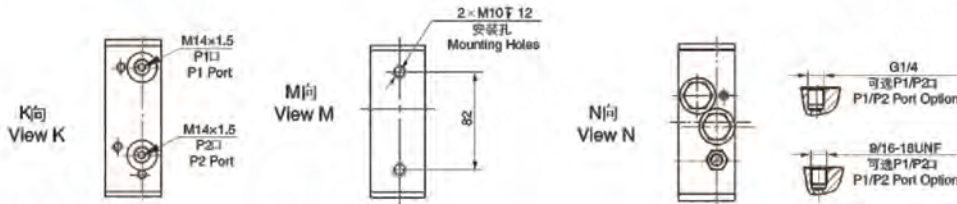
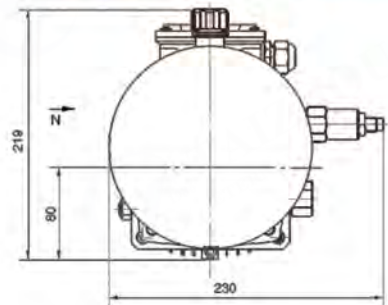
This hydraulic power pack integrates gear pump, AC motor, multifunctional manifold, cartridge valves, tank as well as the hydraulic accessories. It offers an efficient and reliable control for the up and down movements of the ramp and lip of a dock leveler. Only one push button is needed for the whole operation.



I Outline Dimension 外形尺寸图



I Hydraulic Circuit Diagram 系统工作原理



I Model Specifications 型号规格说明

Model 型号	电机电压 Motor Volt	电机功率 Motor Power	额定转速 Rated Speed	油泵排量 Displacement	溢流阀压力 System Pressure	邮箱容量 Tank Capacity	L(mm)
HPU5-E2.1B4E80/LBAOT1	380VAC	0.75KW	1450RPM	2.1ml/r	16MPa	6L	557
HPU5-E2.7B4E80/LBAOT1				2.7ml/r	14MPa		

说明: 1.如需不同流量的泵、压力、电机功率等系统参数,请查看液压动力单元型号说明或与销售联系。

2.如需手动应急放油装置请在订货时说明。

Remark: 1.Please go to page 1 or consult our sales engineer for the different pump displacement, motor power or tank capacity.

2.The manual override function is available on request.

I Special Notes 注意事项

- 1.此动力单元不可连续运转(1分钟ON, 9分钟OFF),可重复工作。
- 2.安装前必须保证油缸、油管、接头等液压元件清洁无任何杂质粘附。
- 3.液压油粘度应为15~68CST,应清洁无杂质,推荐使用N46号液压油。
- 4.首次启动运行系统后,应立即检查油箱中的油量是否充足。
- 5.系统使用第一个100小时后,应更换液压油,以后每3000小时更换一次液压油。

- 1.The power unit is of S3 duty, which can only work intermittently and repeatedly and repeatedly, i.e., 1minute on and 9minutes off.
- 2.Clean all the hydraulic parts concerned before mounting the power unit.
- 3.Viscosity of the hydraulic oil should be 15~68 cst, which should also be clean and free of impurities.N46 hydraulic
- 4.Check the oil level in the tank after the initial operation of the power unit.
- 5.Oil changing is required after the initial 100 operation hours, afterwards once every 3000 hours.

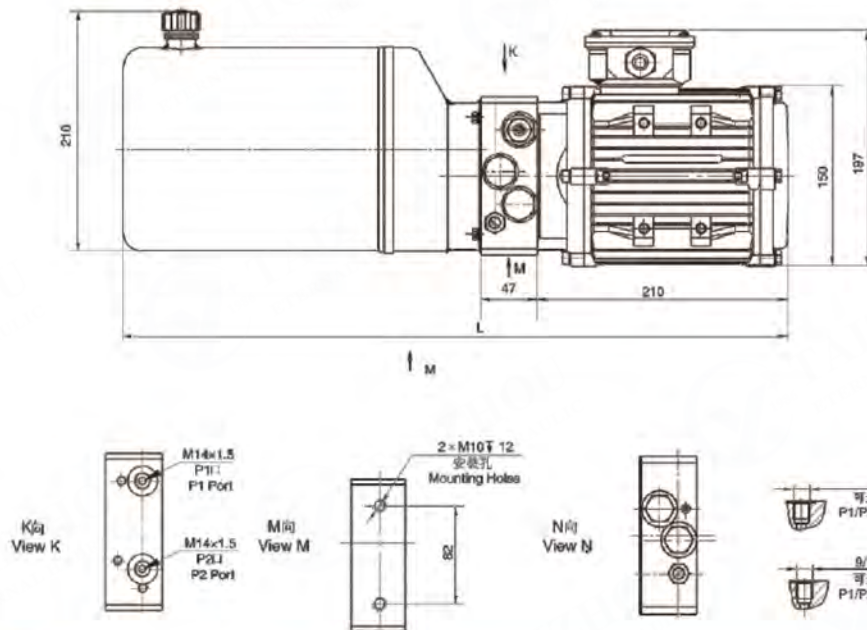
I Product Introduction 产品简介

本液压动力单元集成了高压齿轮泵、电机、液压阀、油箱等液压元件,用于主甲板浮动的蹬车桥控制,常开电磁阀一方面使得在装货和卸货过程中登车桥面随车箱浮动,另一方面提供了主甲板下降时的急停功能。

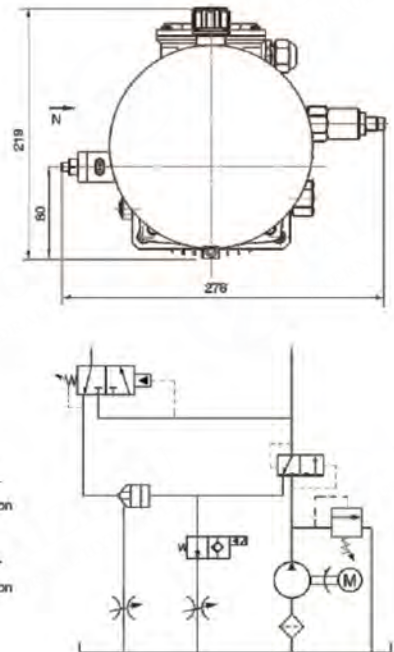
This hydraulic power pack integrates gear pump, AC motor, multifunctional manifold cartridge A normally open solenoid valve makes the ramp and lip float with the carriage during loading and unloading which also offers an emergency stop function while falling.



I Outline Dimension 外形尺寸图



I Hydraulic Circuit Diagram 系统工作原理



I Model Specifications 型号规格说明

Model 型号	电机电压 Motor Volt	电机功率 Motor Power	额定转速 Rated Speed	油泵排量 Displacement	溢流阀压力 System Pressure	邮箱容量 Tank Capacity	电磁阀电压 Solenoid Valve Volt	L(mm)
HPU5-E2.1A4E81/LBAPT1	380VAC	0.75KW	1450RPM	2.1ml/r	16MPa	3.5L	24VDC	457
HPU5-E2.7B4E81/LBAPT1				2.7ml/r	14MPa	6L		557

说明: 1.如需不同流量的泵、压力、电机功率等系统参数,请查看液压动力单元型号说明或与销售联系。

2.如需手动应急放油装置请在订货时说明。

Remark: 1.Please go to page 1 or consult our sales engineer for the different pump displacement, motor power or tank capacity.

2.The manual override function is available on request.

I Special Notes 注意事项

- 1.此动力单元不可连续运转(1分钟ON, 9分钟OFF),可重复工作。
- 2.安装前必须保证油缸、油管、接头等液压元件清洁无任何杂质粘附。
- 3.液压油粘度应为15~68CST,应清洁无杂质,推荐使用N46号液压油。
- 4.首次启动运行系统后,应立即检查油箱中的油量是否充足。
- 5.系统使用第一个100小时后,应更换液压油,以后每3000小时更换一次液压油。

- 1.The power unit is of S3 duty, which can only work intermittently and repeatedly and repeatedly, i.e., 1minute on and 9minutes off.
- 2.Clean all the hydraulic parts concerned before mounting the power unit.
- 3.Viscosity of the hydraulic oil should be 15~68 cst, which should also be clean and free of impurities.N46 hydraulic
- 4.Check the oil level in the tank after the initial operation of the power unit.
- 5.Oil changing is required after the initial 100 operation hours, afterwards once every 3000 hours.

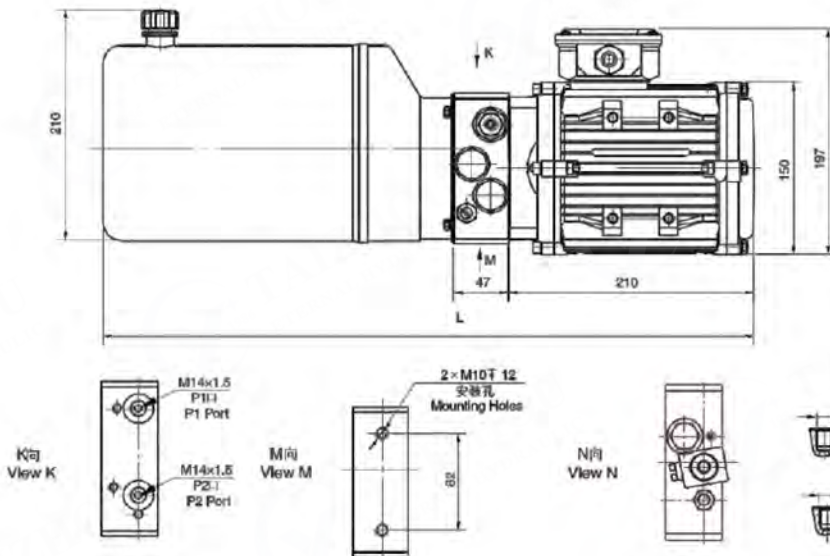
I Product Introduction 产品简介

本液压力单元集成了高压齿轮泵、电机、液压阀、油箱等液压元件，用于主甲板需要中位停止的登车桥的控制，而保护溢流阀使得主板在一定负载条件下能够浮动，有效实现在装货和卸货时对登车桥的保护。

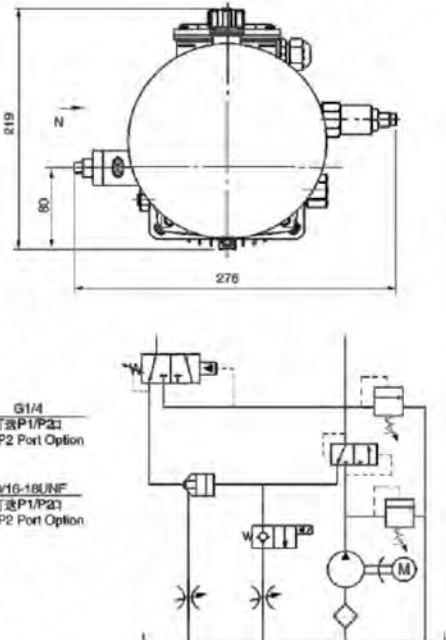
This hydraulic power pack integrates the gear pump, AC motor, multifunctional manifold, cartridge valves, tank as well as the hydraulic accessories. It offers an efficient, reliable control for the up and down movements of the ramp and lip of a dock leveler. The 2nd relief valve ensures the main platform to be floating under load when the dock leveler is being used for loading and unloading the goods, thus protecting the dock leveler effectively.



I Outline Dimension 外形尺寸图



I Hydraulic Circuit Diagram 系统工作原理



I Model Specifications 型号规格说明

Model 型号	电机电压 Motor Volt	电机功率 Motor Power	额定转速 Rated Speed	油泵排量 Displacement	溢流阀压力 System Pressure	邮箱容量 Tank Capacity	电磁阀电压 Solenoid Valve Volt	L(mm)
HPU5-E2.1B4E82/MBABT1	380VAC	0.75KW	1450RPM	2.1ml/r	16MPa	6L	24VDC	557
HPU5-E2.7B4E82/LBABT1				2.7ml/r	14MPa			

说明: 1.如需不同流量的泵、压力、电机功率等系统参数, 请查看液压力单元型号说明或与销售联系。

2.如需手动应急放油装置请在订货时说明。

Remark: 1. Please go to page 1 or consult our sales engineer for the different pump displacement, motor power or tank capacity.

2. The manual override function is available on request.

I Special Notes 注意事项

1. 此动力单元不可连续运转 (1分钟ON, 9分钟OFF), 可重复工作。
2. 安装前必须保证油缸、油管、接头等液压元件清洁无任何杂质粘附。
3. 液压油粘度应为15~68CST, 应清洁无杂质, 推荐使用N46号液压油。
4. 首次启动运行系统后, 应立即检查油箱中的油量是否充足。
5. 系统使用第一个100小时后, 应更换液压油, 以后每3000小时更换一次液压油。

1. The power unit is of S3 duty, which can only work intermittently and repeatedly and repeatedly, i.e., 1minute on and 9minutes off.
2. Clean all the hydraulic parts concerned before mounting the power unit.
3. Viscosity of the hydraulic oil should be 15~68 cst, which should also be clean and free of impurities. N46 hydraulic oil is recommended.
4. Check the oil level in the tank after the initial operation of the power unit.
5. Oil changing is required after the initial 100 operation hours, afterwards once every 3000 hours.

I Product Introduction

产品简介

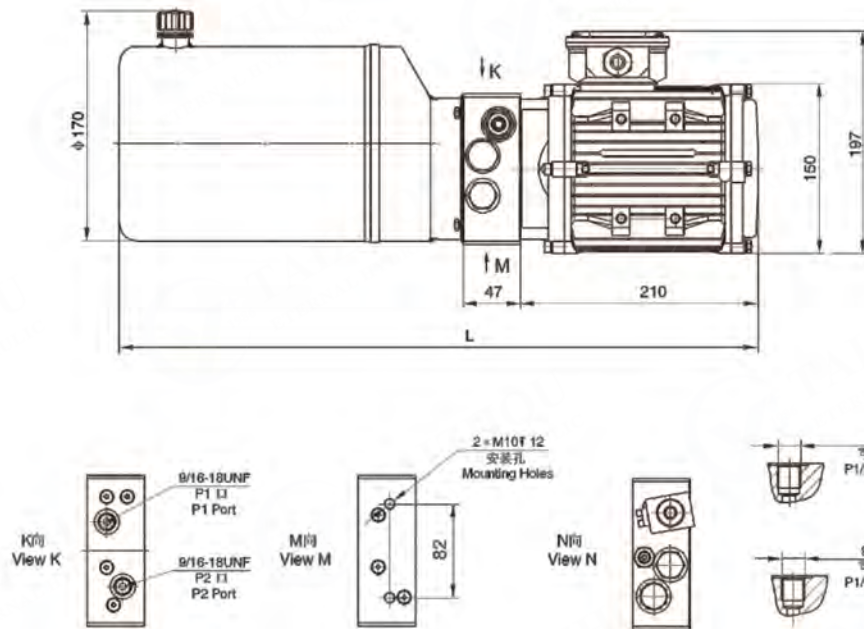
本动力单元适用于带急停功能的浮动式登车桥，主平台上升到位后唇板自动打开，电机停转后平台下降，而唇板落到装货车辆后平台浮动，在下降过程中如使电磁阀带电则实现急停功能，平台和唇板的下降速度由节流阀调节。

This power unit is deigned for those dock levellers which need floating ramps with an emergency stop function. The ramp will rise when the pump is running. The lip will expend automatically when the ramp cylinder finishes its stroke. The ramp cylinder will retract when the pump stops running. An emergency stop will be realized while the solenoid valve is energized. The lowering speed of both the ramp and the lip is adjusted by the throttle valves in the system.



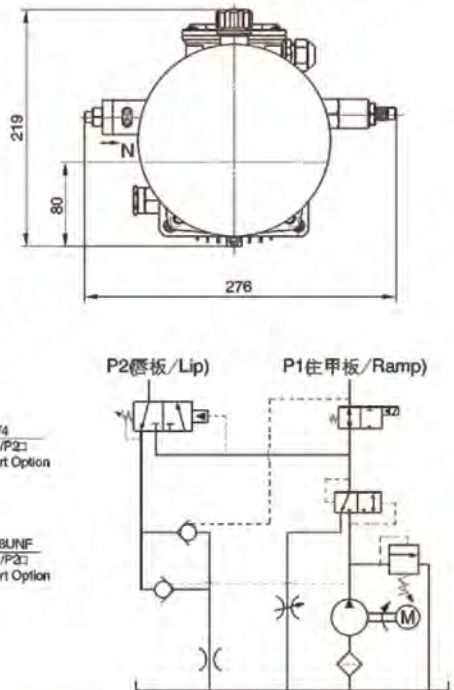
I Outline Dimension

外形尺寸图



I Hydraulic Circuit Diagram

系统工作原理



I Model Specifications

型号规格说明

Model 型号	电机电压 Motor Volt	电机功率 Motor Power	额定转速 Rated Speed	油泵排量 Displacement	溢流阀压力 System Pressure	邮箱容量 Tank Capacity	电磁阀电压 Solenoid Valve Volt	L(mm)
HPU5-E2.1A4E84/LBAPT1	380VAC	0.75KW	1450RPM	2.1ml/r	16MPa	6L	24VDC	557
HPU5-E2.7B4E84/LBAPT1				2.7ml/r	14MPa			

说明: 1.如需不同流量的泵、压力、电机功率等系统参数, 请查看液压动力单元型号说明或与销售联系。
2.如需手动应急放油装置请在订货时说明。

Remark: 1.Please go to page 1 or consult our sales engineer for the different pump displacement, motor power or tank capacity.
2.The manual override function is available on request.

I Special Notes

注意事项

- 1.此动力单元不可连续运转(1分钟ON, 9分钟OFF), 可重复工作。
- 2.安装前必须保证油缸、油管、接头等液压元件清洁无任何杂质粘附。
- 3.液压油粘度应为15~68CST, 应清洁无杂质, 推荐使用N46号液压油。
- 4.首次启动运行系统后, 应立即检查油箱中的油量是否充足。
- 5.系统使用第一个100小时后, 应更换液压油, 以后每3000小时更换一次液压油。

- 1.The power unit is of S3 duty, which can only work intermittently and repeatedly and repeatedly, i.e., 1minute on and 9minutes off.
- 2.Clean all the hydraulic parts concerned before mounting the power unit.
- 3.Viscosity of the hydraulic oil should be 15~68 cst, which should also be clean and free of impurities.N46 hydraulic
- 4.Check the oil level in the tank after the initial operation of the power unit.
- 5.Oil changing is required after the initial 100 operation hours, afterwards once every 3000 hours.

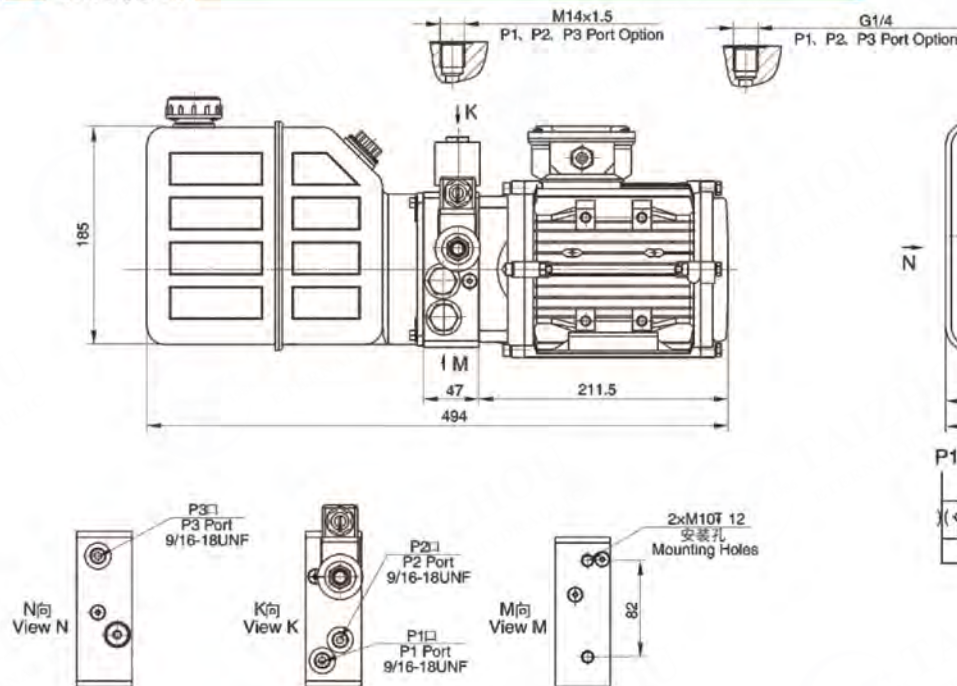
Product Introduction 产品简介

本款登车桥液压动力单元，电机转动，两位三通电磁阀得电，主平台上升，到位置后，通过控制两位四通电磁阀的通断电，可实现唇板的伸出和缩回。电机停转后，两个电磁阀通电，实现主平台下降，单阀节流阀控制主板的下降速度，两位三通电磁阀断电可以实现主板下降急停功能。

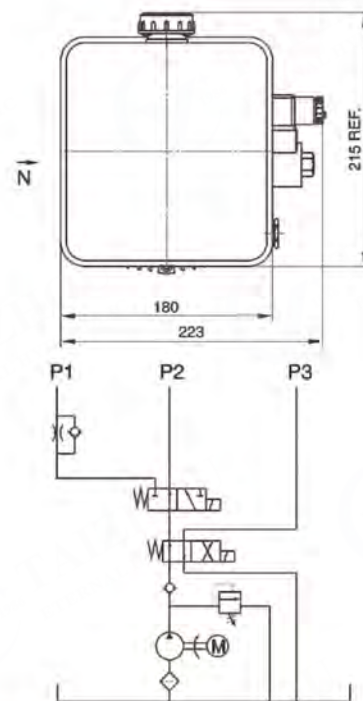
This dock leveler power unit simply raised the ramp when the motor is activated and the 3-way, 2-solenoid valve is power-losing, the lip can come out and come back by the 4-way, 2-position solenoid valve. The ramp lowered by the motor power-losing and all of 2 solenoid valves has got power, The lowered speed control by flow control/check valve.



Outline Dimension 外形尺寸图



Hydraulic Circuit Diagram 系统工作原理



Model Specifications 型号规格说明

Model 型号	电机电压 Motor Volt	电机功率 Motor Power	额定转速 Rated Speed	油泵排量 Displacement	溢流阀压力 System Pressure	邮箱容量 Tank Capacity	电磁阀电压 Solenoid Valve Volt	L(mm)
HPU5-E2.1B4E180/LBUBT1	220/380VAC	0.75KW	1450 RPM	2.1ml/r	15MPa	5L	24VDC	494
HPU5-E2.7B4E180/MBUCT1				2.7ml/r				

说明：1.如需不同流量的泵、压力、电机功率等系统参数，请查看液压动力单元型号说明或与销售联系。

2.如需手动应急放油装置请在订货时说明。

Remark: 1.Please go to page 1 or consult our sales engineer for the different pump displacement, motor power or tank capacity.

2.The manual override function is available on request.

Special Notes 注意事项

- 1.此动力单元不可连续运转（1分钟ON，9分钟OFF），可重复工作。
- 2.安装前必须保证油缸、油管、接头等液压元件清洁无任何杂质粘附。
- 3.液压油粘度应为15~68CST，应清洁无杂质，推荐使用N46号液压油。
- 4.首次启动运行系统后，应立即检查油箱中的油量是否充足。
- 5.系统使用第一个100小时后，应更换液压油，以后每3000小时更换一次液压油。

1.The power unit is of S3 duty, which can only work intermittently and repeatedly and repeatedly, i.e., 1minute on and 9minutes off.

2.Clean all the hydraulic parts concerned before mounting the power unit.

3.Viscosity of the hydraulic oil should be 15~68 cst, which should also be clean and free of impurities.N46 hydraulic

4.Check the oil level in the tank after the initial operation of the power unit.

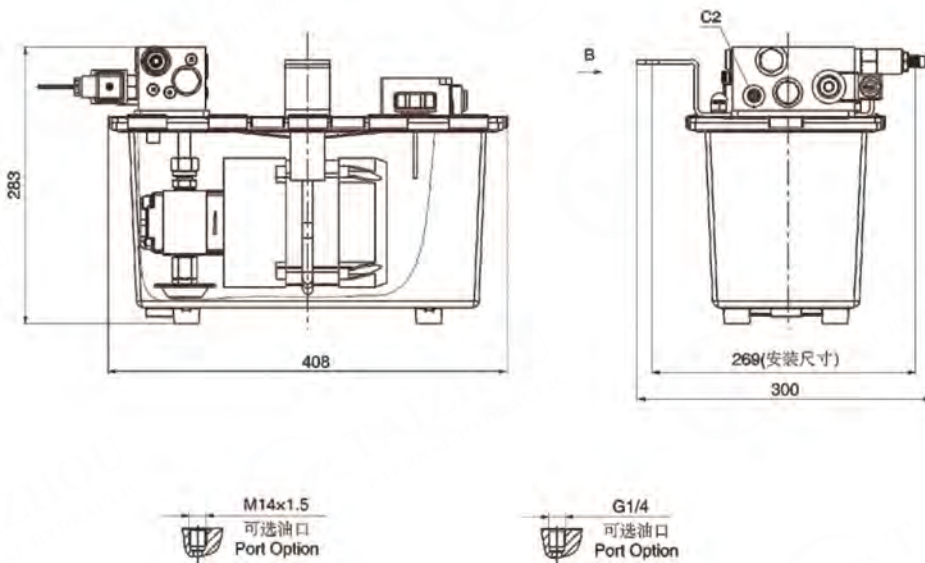
5.Oil changing is required after the initial 100 operation hours, afterwards once every 3000 hours.

I Product Introduction 产品简介

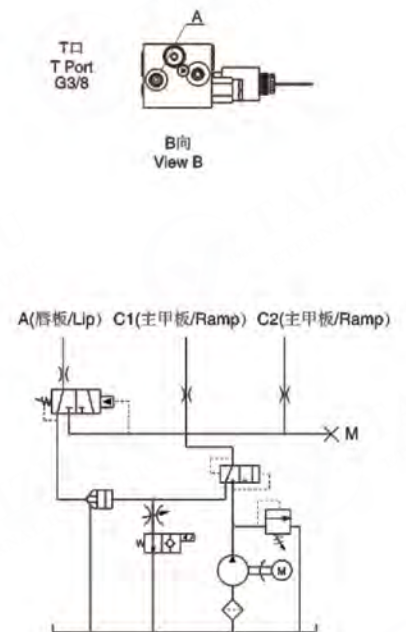
本液压动力单元集成了高压齿轮泵、电机、液压阀、油箱等液压元件,用于主甲板浮动的登车桥的控制,常开电磁阀一方面使得在装货和卸货过程中登车桥面随车箱浮动,另一方面提供了主甲板下降时的急停功能。油浸式电机大大降低了噪音,延长了动力单元的使用寿命。

The hydraulic power unit consists of gear pump, motor, hydraulic valves, tank and multi-fuctional manifold. The application of the normally open solenoid valve not only enables the ramp to float with the truck, but also offers an emergency stop function for safety consideration. The submersion of the motor and pump in the oil ensures the low noise level and long lifetime of the power unit.

I Outline Dimension 外形尺寸图



I Hydraulic Circuit Diagram 系统工作原理



I Model Specifications 型号规格说明

Model 型号	电机电压 Motor Volt	电机功率 Motor Power	额定转速 Rated Speed	油泵排量 Displacement	溢流阀压力 System Pressure	邮箱容量 Tank Capacity	电磁阀电压 Solenoid Valve Volt	L(mm)
HPU5-D3.2A4E81/TBTBO1	380VAC	0.75KW	1400RPM	3.2ml/r	14MPa	4L	24VDC	408
HPU5-D2.1A4E81/TBTBO1				2.1ml/r				

说明: 1.如需不同流量的泵、压力、电机功率等系统参数,请查看液压动力单元型号说明或与销售联系。

Remark: 1. Please go to page 1 or consult our sales engineer for the different pump displacement, motor power or tank capacity.

I Special Notes 注意事项

- 1.此动力单元不可连续运转(1分钟ON, 9分钟OFF), 可重复工作。
- 2.安装前必须保证油缸、油管、接头等液压元件清洁无任何杂质粘附。
- 3.液压油粘度应为15~68CST, 应清洁无杂质, 推荐使用N46号液压油。
- 4.首次启动运行系统后, 应立即检查油箱中的油量是否充足。
- 5.系统使用第一个100小时后, 应更换液压油, 以后每3000小时更换一次液压油。

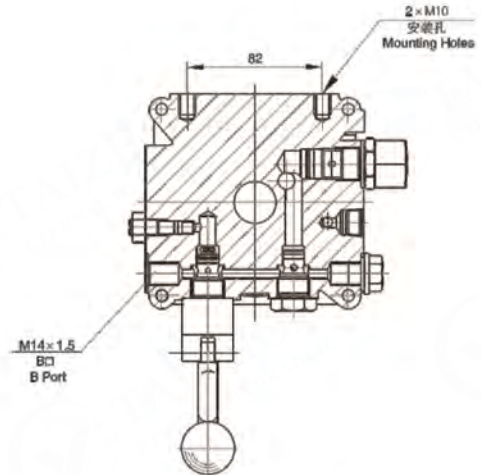
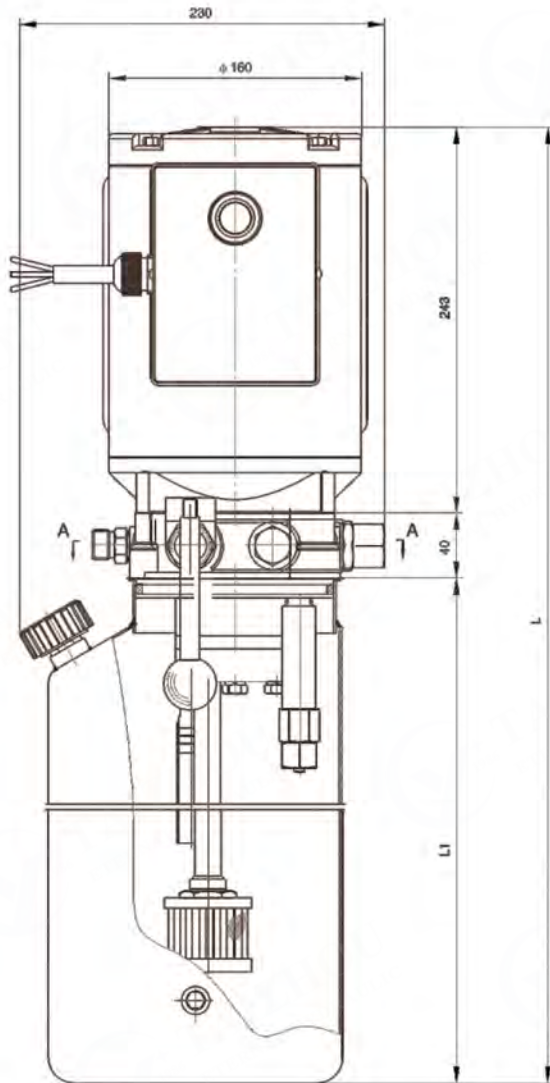
1. The power unit is of S3 duty, which can only work intermittently and repeatedly and repeatedly, i.e., 1 minute on and 9 minutes off.
2. Clean all the hydraulic parts concerned before mounting the power unit.
3. Viscosity of the hydraulic oil should be 15~68 cst, which should also be clean and free of impurities. N46 hydraulic
4. Check the oil level in the tank after the initial operation of the power unit.
5. Oil changing is required after the initial 100 operation hours, afterwards once every 3000 hours.

I Product Introduction 产品简介

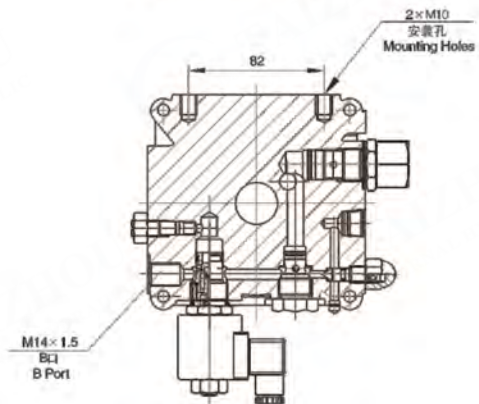
本产品是由我公司HPU系列液动力单元产品中的一部分,它广泛应用于汽车举升机,手动阀控制回油,下降速度可调,同时还可以用作液压叉车及剪叉式升降机的动力源。

As one part of our HPU series power unit family, his power unit is widely used in two post auto hoists. Push the start button on the motor to lift the machine. The lowering movement is activated by the manual release valve, with the lowering speed controlled by the throttle valve in the return line. The power unit also applies to different kinds of hydraulic fork lift and scissors lift.

I Outline Dimension 外形尺寸图

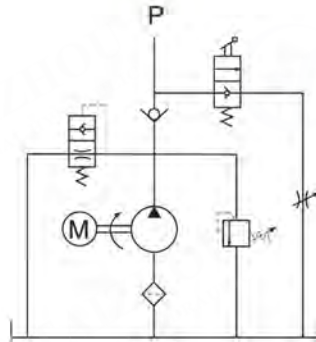


Section A-A
手动卸荷阀动力单元



Section A-A
电动卸荷阀动力单元

I Hydraulic Circuit Diagram 系统工作原理



I Model Specifications 型号规格说明

Model 型号	电机电压 Motor Volt	电机功率 Motor Power	油泵排量 Displacement	溢流阀压力 System Pressure	额定转速 Rated Speed	邮箱容量 Tank Capacity	总长Total Length	
							L1(mm)	L(mm)
HPU6-F2.1D3H1/ACBOA1	220VAC	2.2KW	2.1ml/r	16MPa	2850RPM	10L	440	723
HPU6-E3.2B3H1/ACBOA1			3.2ml/r			6L	300	583
HPU6-F2.1C3H1/ACBOA1			2.1ml/r	8L		370	653	
HPU6-F2.1D4H1/ACBOA1	380VAC		2.7ml/r	20MPa		10L	440	723
HPU6-F2.7B4H1/ACBOA1			2.1ml/r			6L	300	583
HPU6-E2.1C4H1/ACBOA1			3.2ml/r	8L		370	653	
HPU6-E3.2D4H1/ACBOA1	220VAC	3KW	3.2ml/r	16MPa		10L	440	723
HPU6-E3.2E4H1/ACBOA1						12L	540	823
HPU6-E3.2D411/ACBOA1			10L	440		723		
HPU6-F2.1C3G1/ACBOA1	380VAC	1.5KW	2.1ml/r	20MPa		8L	370	653
HPU6-F2.5D4H1/ACBOA1	220VAC	2.2KW	2.5ml/r			10L	440	723
HPU6-F2.1D3H2/ACBBG1	380VAC		2.1ml/r			10L	440	723
HPU6-F2.7D4H2/ACBBG1	220VAC		2.7ml/r		10L	440	723	

说明: 1.如需不同流量的泵、压力、电机功率等系统参数, 请查看液压力单元型号说明或与销售联系。
2.如需手动应急放油装置请在订货时说明。

Remark: 1.Please go to page 1 or consult our sales engineer for the different pump displacement, motor power or tank capacity.
2.The manual override function is available on request.

I Special Notes 注意事项

- 1.此动力单元不可连续运转(1分钟ON,9分钟OFF), 可重复工作。
- 2.安装前必须保证油缸、油管、接头等液压元件清洁无任何杂质黏附。
- 3.液压油粘度应为15-68CST, 应清洁无杂质, 推荐使用N46号液压油。
- 4.本液压系统适用于立式安装, 油箱在下。
- 5.首次启动运行系统时, 应立即检查油箱中的油量是否充足。
- 6.系统使用第一个100小时后, 应更换液压油. 以后每3000小时更换液压油一次。
- 7.如需不同的流量、压力、电机功率等系统参数, 请在订货时说明。

- 1.The power unit is of S3 duty, which can only be worked intermittently, i.e., 1 minute on and 9 minutes off.
- 2.Clean all the hydraulic parts concerned before mounting the power unit.
- 3.Viscosity of the oil should be 15-68 cst, and the oil should be clean and free of impurities,N46 hydraulic oil is recommended.
- 4.The power unit should be mounted vertically.
- 5.Check the oil level in the tank after the initial running of the power unit.
- 6.Oil changing is required after the initial 1000 operation hours, afterwards once every 3000 hours.
- 7.we are at your disposal to offer you the power units with your favorite power, flow, pressure as well as the tank capacity.

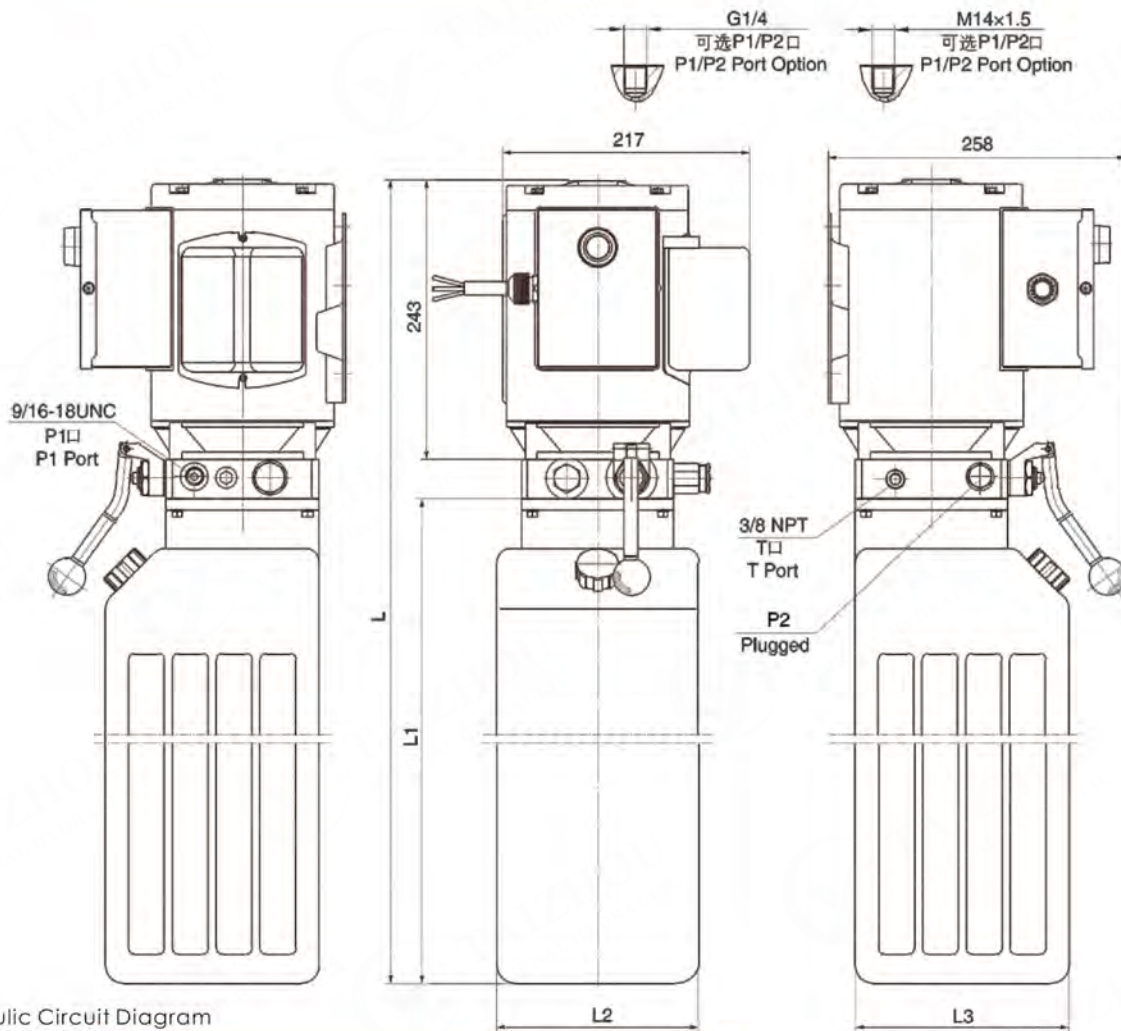
I Product Introduction 产品简介

本产品专为汽车举升机设计, 动力上升, 重力下降, 适合不同的电压和频率, 下降动作为手动控制, 同时还可以用作液压叉车及剪叉式升降机的动力源。

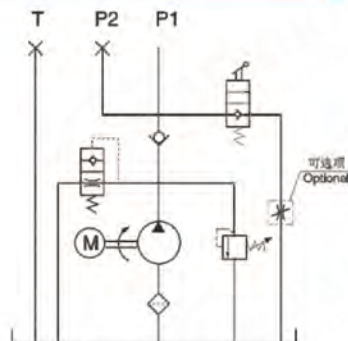
This power unit is designed exclusively for Auto hoist, with power up, gravity down function. Such products can be applied to different voltages and frequencies and the lowering movement is controlled by the manual release valve. The power unit also applies to different kinds of hydraulic fork lift and scissors lift.



I Outline Dimension 外形尺寸图



I Hydraulic Circuit Diagram 系统工作原理



I Model Specifications 型号规格说明

Model 型号	电机电压 Motor Volt	电机功率 Motor Power	油泵排量 Displacement	溢流阀压力 System Pressure	额定转速 Rated Speed	油箱容量 Tank Capacity	Dimensions尺寸 (mm)				Certification 认证						
							L1	L2	L3	L							
HPU5-F0.8B5F1/ALVOT1	115V 60Hz	1.1KW	0.8ml/r	20MPa	3450RPM	6L	335	180	180	611	CE (Motor) 电机						
HPU5-F0.8C5F1/ALVOT1						8L	440			716							
HPU5-E1.2B5F1/ALVOT1			1.2ml/r	17.5MPa		6L	335			611							
HPU5-E1.2C5F1/ALVOT1						8L	440			716							
HPU5-F0.8B8F1/AMVOT1			115/230V 50/60Hz	1.1KW	0.8ml/r	20MPa	2850/ 3450RPM			6L		335	611				
HPU5-F0.8C8F1/AMVOT1										8L		400	716				
HPU5-E1.2B8F1/AMVOT2					1.2ml/r	17.5MPa				6L		335	611				
HPU5-E1.2C8F1/AMVOT1										8L		440	716				
HPU5-F2.1E3H1/AMQOT1	208-240V 50/60Hz	2.2KW			2.1ml/r	20MPa	2850/ 3450RPM	12L	540	165		185	816				
HPU5-F2.1F3H1/AMQOT1	230/460V 60Hz							14L	600	175		185	876				
HPU5-F2.1E7H1/ALQOT1							190/ 208-240/ 380/460V 50/60Hz	2.5ml/r	3450RPM	12L		540	165	185	816		
HPU5-F2.1F7H1/ALQOT1	14L									600		175	185	876			
HPU5-F2.1E20H1/AMQOT1	220-240/ 380/460V 50/60Hz		4.2ml/r	17.5MPa			1450/ 1750RPM	12L	540	165		185	816				
HPU5-F2.5F20H1/AMQOT1								14L	600	175		185	876				
HPU5-E4.2E20H1/ANQOT1							115/230V 50/60Hz	1.1KW	0.8ml/r	20MPa		2850/ 3450RPM	12L	540	165	185	816
HPU5-E4.2F20H1/ANQOT1													14L	600	175	185	876
HPU5-F0.8B8F1/AMQOT4	115/230V 50/60Hz		1.1KW	0.8ml/r			20MPa	2850/ 3450RPM	6L	335	180	180	611	ETL (Power Unit) 动力单元			
HPU5-F2.1F3H1/AMQOT4	220V 50/60Hz		2.2KW	2.1ml/r			20MPa	3450RPM	14L	600	175	185	876				
HPU5-F2.1F3H1/ALQOT1	220V 60Hz	2.2KW	2.1ml/r	20MPa	3450RPM	14L	600	175	185	876	UL (Motor) 电机						
HPU5-E2.1F3H1/ALQOT1				17.5MPa													

说明: 1.如需不同流量的泵、压力、电机功率等系统参数, 请查看液动力单元型号说明或与销售联系。

Remark: 1.Please go to page 1 or consult our sales engineer for the different pump displacement, motor power or tank capacity.

I Special Notes 注意事项

- 1.此动力单元不可连续运转(1分钟ON,9分钟OFF), 可重复工作。
- 2.安装前必须保证油缸、油管、接头等液压元件清洁无任何杂质黏附。
- 3.液压油粘度应为15~68CST, 应清洁无杂质, 推荐使用N46号液压油。
- 4.本液压系统适用于立式安装, 油箱在下。
- 5.首次启动运行系统时, 应立即检查油箱中的油量是否充足。
- 6.系统使用第一个100小时后, 应更换液压油, 以后每3000小时更换液压油一次。
- 7.如需不同的流量、压力、电机功率等系统参数, 请在订货时说明。

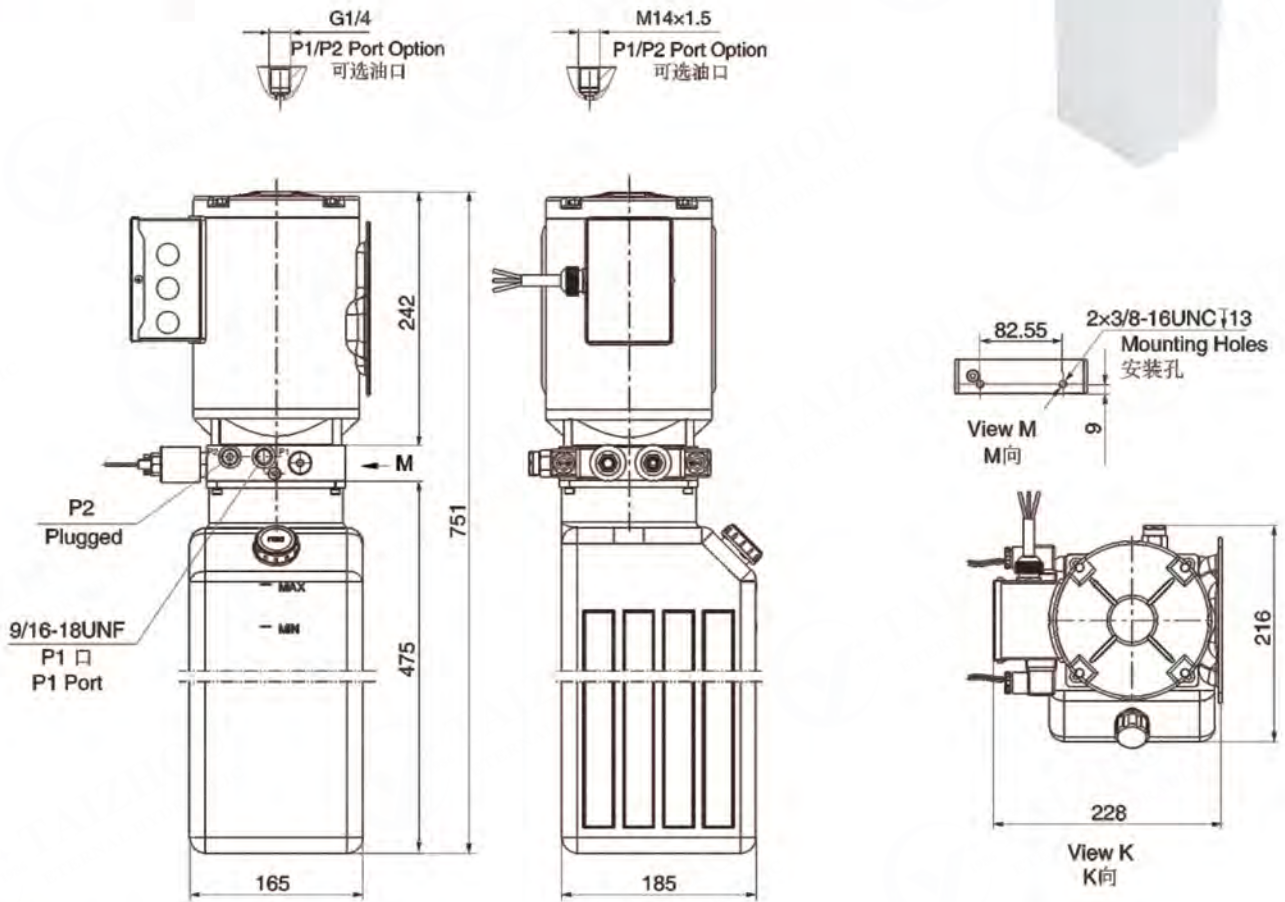
- 1.The power unit is of S3 duty, which can only be worked intermittently, i.e., 1minute on and 9 minutes off.
- 2.Clean all the hydraulic parts concerned before mounting the power unit.
- 3.Viscosity of the oil should be 15-68 cst, and the oil should be clean and free of impurities, N46 hydraulic oil is recommended.
- 4.The power unit should be mounted vertically.
- 5.Check the oil level in the tank after the initial running of the power unit.
- 6.Oil changing is required after the initial 1000 operation hours, afterwards once every 3000 hours.
- 7.we are at your disposal to offer you the power units with your favorite power, flow, pressure as well as the tank capacity.

I Product Introduction 产品简介

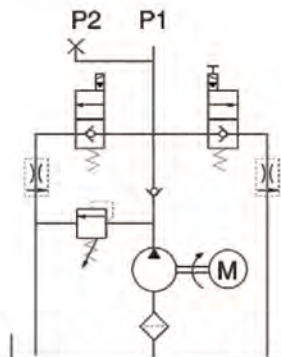
本产品专为汽车举升机设计,系典型的动力上升,重力下降液压回路。启动电机实现上升,打开电磁卸荷阀实现下降,两个电磁阀使举升机具有不同的下降速度。

This power unit is designed exclusively for Auto hoist with power up, gravity down function. Start the motor to lift the machine, the lowering movement is controlled by the solenoid release valves. Each solenoid valve provides a separate lowering speed.

I Outline Dimension 外形尺寸图



I Hydraulic Circuit Diagram 系统工作原理



I Model Specifications 型号规格说明

Model 型号	电机电压 Motor Volt	电机功率 Motor Power	额定转速 Rated Speed	油泵排量 Displacement	溢流阀压力 System Pressure	邮箱容量 Tank Capacity	电磁阀电压 Solenoid Valve Volt
HPU5-F2.7D4H202/ACQIT1	220VAC	2.2KW	2800RPM	2.7ml/r	20MPa	10L	24VDC
HPU5-F2.7D4H202/ACDIT1				3.2ml/r	16MPa		
HPU5-F3.2D3H202/LCQIT1	220VAC	3KW	2880RPM	2.7ml/r	20MPa	10L	24VDC
HPU5-F2.7D2B202/XVQIT1	24VDC			2.7ml/r	20MPa		

说明: 1.如需不同流量的泵、压力、电机功率等系统参数, 请查看液压动力单元型号说明或与销售联系。

Remark: 1.Please go to page 1 or consult our sales engineer for the different pump displacement, motor power or tank capacity.

I Special Notes 注意事项

- 1.此动力单元不可连续运转(1分钟ON,9分钟OFF),可重复工作。
- 2.安装前必须保证油缸、油管、接头等液压元件清洁无任何杂质黏附。
- 3.液压油粘度应为15~68CST,应清洁无杂质,推荐使用N46号液压油。
- 4.本液压系统适用于立式安装,油箱在下。
- 5.首次启动运行系统时,应立即检查油箱中的油量是否充足。
- 6.系统使用第一个100小时后,应更换液压油,以后每3000小时更换液压油一次。
- 7.如需不同的流量、压力、电机功率等系统参数,请在订货时说明。

- 1.The power unit is of S3 duty, which can only be worked intermittently, ie., 1 minute on and 9 minutes off.
- 2.Clean all the hydraulic parts concerned before mounting the power unit.
- 3.Viscosity of the oil should be 15-68 cst, and the oil should be clean and free of impurities,N46 hydraulic oil is recommended.
- 4.The power unit should be mounted vertically.
- 5.Check the oil level in the tank after the initial running of the power unit.
- 6.Oil changing is required after the initial 1000 operation hours, afterwards once every 3000 hours.
- 7.we are at your disposal to offer you the power units with your favorite power, flow, pressure as well as the tank capacity.

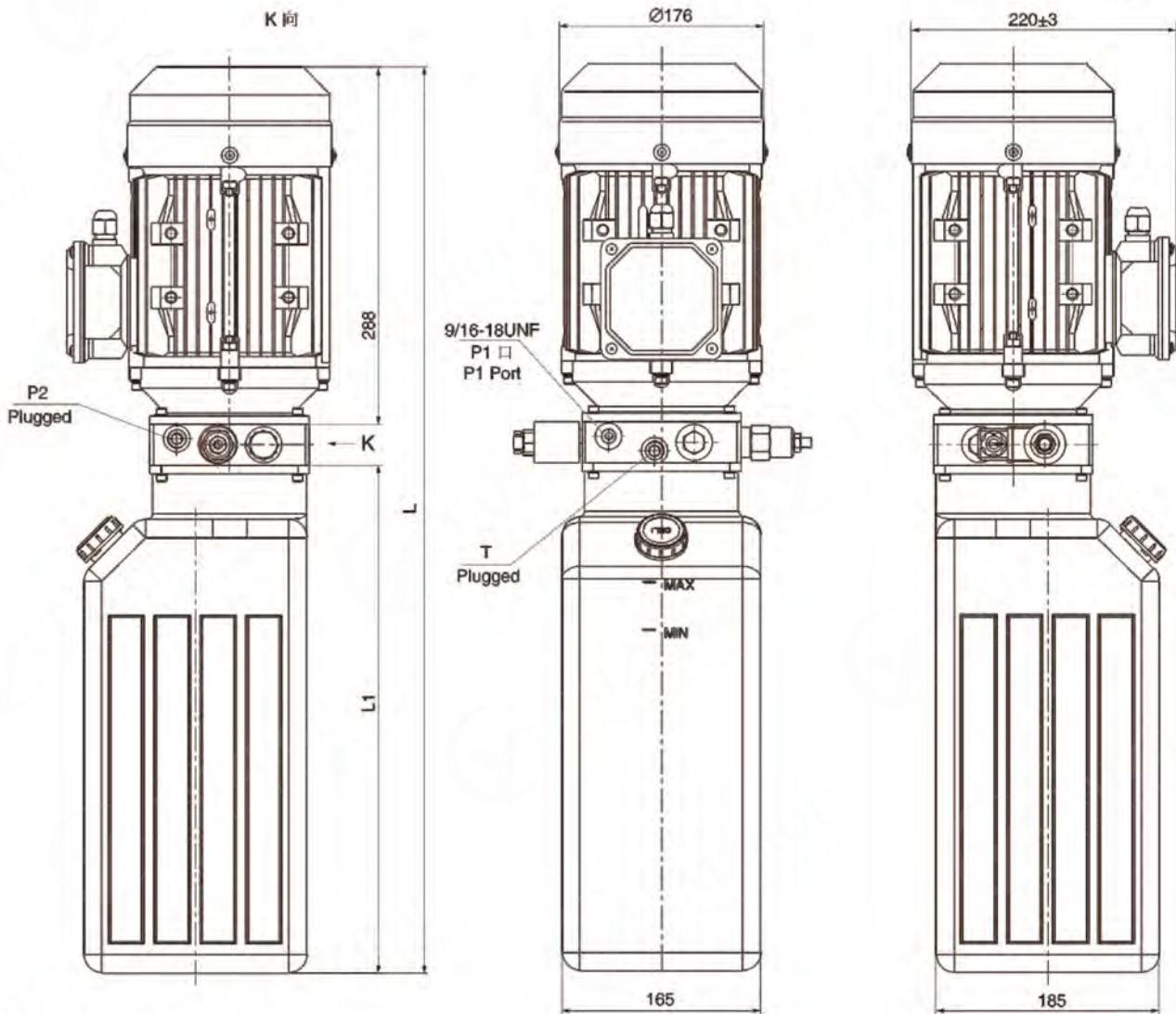


I Product Introduction 产品简介

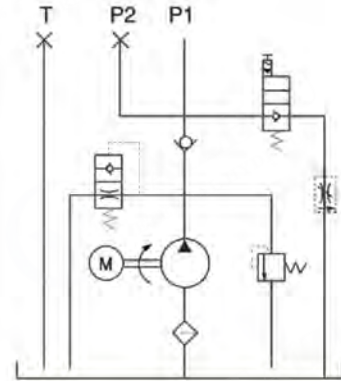
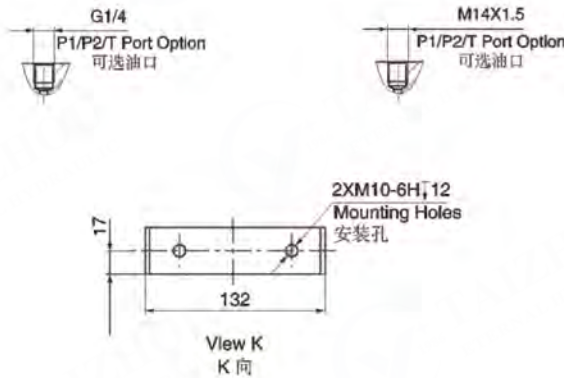
本产品专为低噪音汽车举升机设计, 典型的动力上升, 重力下降液压回路. 下降动作作为电磁阀控制, 且下降速度由可调节的压力补偿节流阀控制。

With a typical power up gravity down circuit, this power unit is designed exclusively for those auto lifts requiring a low noise level. The lowering movement is controlled by the solenoid release valve, with the lowering speed regulated by the adjustable pressure compensated flow control valve.

I Outline Dimension 外形尺寸图



I Hydraulic Circuit Diagram 系统工作原理



I Model Specifications 型号规格说明

Model 型号	电机电压 Motor Volt	电磁阀电压 Solenoid Valve Volt	电机功率 Motor Power	额定转速 Rated Speed	溢流阀压力 System Pressure	油泵排量 Displacement	邮箱容量 Tank Capacity	总长Total Length	
								L1(mm)	L(mm)
HPU5-G3.2D4H2/TBTIT1	380VAC	24VDC	2.2KW	1450RPM	25MPa	3.2ml/r	10L	475	797
HPU5-G3.7D4H2/TBTIT1						3.7ml/r	8L	415	737
HPU5-F4.2C4H2/TBTIT1					22MPa	4.2ml/r	8L	415	737
HPU5-F4.2D4H2/TBTIT1						10L	475	737	
HPU5-F5D4H2/TBTIT1						5ml/r	10L	475	797
HPU5-F5E4H2/TBTIT1						12L	540	797	
HPU5-G3.2D3H2/TBTIT1	220VAC	24VDC	2.2KW	1450RPM	25MPa	3.2ml/r	10L	475	862
HPU5-G3.7D3H2/TBTIT1						3.7ml/r	8L	415	797
HPU5-F4.2C3H2/TBTIT1					22MPa	4.2ml/r	8L	415	737
HPU5-F4.2D3H2/TBTIT1						10L	475	797	
HPU5-F5D3H2/TBTIT1						5ml/r	10L	475	797
HPU5-F5E4H2/TBTIT1						12L	540	862	

说明: 1.如需不同流量的泵、压力、电机功率等系统参数, 请查看液压动力单元型号说明或与销售联系。

Remark: 1.Please go to page 1 or consult our sales engineer for the different pump displacement, motor power or tank capacity.

I Special Notes 注意事项

- 1.此动力单元不可连续运转(1分钟ON,9分钟OFF),可重复工作。
- 2.安装前必须保证油缸、油管、接头等液压元件清洁无任何杂质黏附。
- 3.液压油粘度应为15~68CST,应清洁无杂质,推荐使用N46号液压油。
- 4.本液压系统适用于立式安装,油箱在下。
- 5.首次启动运行系统时,应立即检查油箱中的油量是否充足。
- 6.系统使用第一个100小时后,应更换液压油.以后每3000小时更换液压油一次。
- 7.如需不同的流量、压力、电机功率等系统参数,请在订货时说明。

- 1.The power unit is of S3 duty, which can only be worked intermittently, ie., 1 minute on and 9 minutes off.
- 2.Clean all the hydraulic parts concerned before mounting the power unit.
- 3.Viscosity of the oil should be 15-68 cst, and the oil should be clean and free of impurities,N46 hydraulic oil is recommended.
- 4.The power unit should be mounted vertically.
- 5.Check the oil level in the tank after the initial running of the power unit.
- 6.Oil changing is required after the initial 1000 operation hours,afterwards once every 3000 hours.
- 7.we are at your disposal to offer you the power units with your favorite power,flow,pressure as well as the tank capacity.

I Product Introduction

产品简介

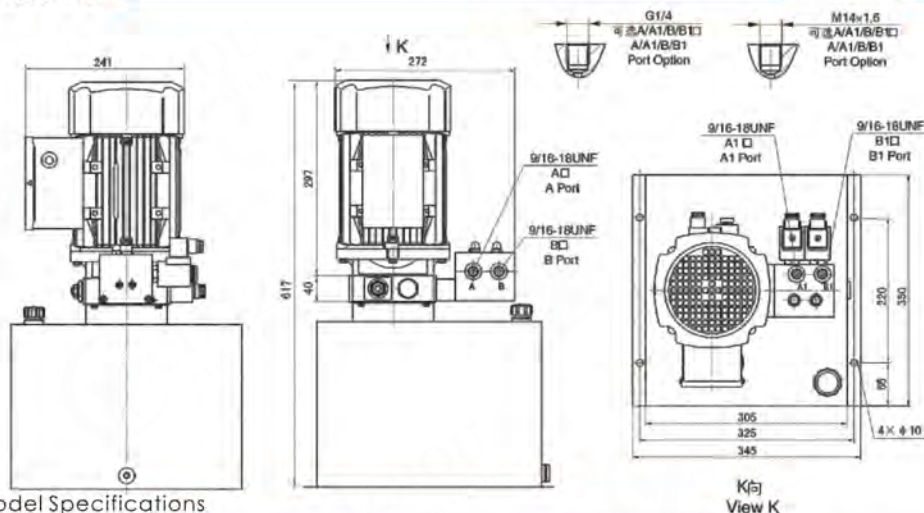
此液压动力单元采用零泄漏双向止回阀实现两条油路的完全隔离，使得两条油路的上升和下降动作互不干扰，是多缸单独升降系统的理想液压源；系统中的两个截止阀用于系统电源故障时，实现安全应急回油。该系列动力单元广泛应用于大剪升降机。

Equipped with the zero leakage double-check solenoid valves, this power unit fulfils the complete separation of the two independent circuits, which are respectively for the main platform and subordinate platform of the double scissors lift. Two cut-off valves are used for lowering the machining manually in case of power failure. By increasing the number of the solenoid valves, it is easy to get more independent circuits, which are used to control the corresponding cylinders.



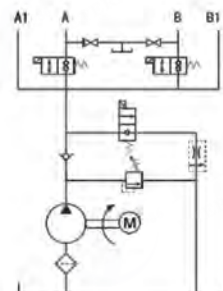
I Outline Dimension

外形尺寸图



I Hydraulic Circuit Diagram

系统工作原理



I Model Specifications

型号规格说明

Model 型号	电机电压 Motor Volt	电机功率 Motor Power	额定转速 Rated Speed	油泵排量 Displacement	溢流阀压力 System Pressure	邮箱容量 Tank Capacity	电磁阀电压 Solenoid Valve Volt
HPU5-F2.7C3G30/LBAAN1	220VAC	1.5KW	2850RPM	2.7ml/r	22MPa	8L	12VDC
HPU5-F3.2E3G30/LBCAN1				3.2ml/r	20MPa	12L	
HPU5-F2.5F3H30/BCCBN1		2.2KW		2.5ml/r	18MPa	14L	24VDC
HPU5-E3.2G3H30/LCCBN1				3.2ml/r	15MPa	16L	
HPU5-D4.2G3H30/LCCDN1	380VAC	3KW	2850RPM	4.2ml/r	10MPa	20L	110VAC
HPU5-F2.7H4I30/BCCDN1				2.7ml/r	20MPa		
HPU5-F3.2I4I30/LCCEN1				3.2ml/r	18MPa	22L	220VAC
HPU5-E3.7J4I30/LCCEN1				3.7ml/r	16MPa	25L	

说明: 1. 如需不同流量的泵、压力、电机功率等系统参数, 请查看液压动力单元型号说明或与销售联系。

2. 如需手动应急放油装置请在订货时说明。

3. 如需订购CSA或UL认证, 60HZ的动力单元, 请在订货时说明。

Remark: 1. Please go to page 1 or consult our sales engineer for the different pump displacement, motor power or tank capacity.

2. The manual override function is available on request.

3. 60HZ motors with CSA or UL certification are available upon request.

I Special Notes

注意事项

1. 此动力单元不可连续运转 (1分钟ON, 9分钟OFF), 可重复工作。
2. 安装前必须保证油缸、油管、接头等液压元件清洁无任何杂质粘附。
3. 液压油粘度应为15~68CST, 应清洁无杂质, 推荐使用N46号液压油。
4. 本液压动力单元适用于立式安装。
5. 首次启动运行系统后, 应立即检查油箱中的油量是否充足。
6. 系统使用第一个100小时后, 应更换液压油, 以后每3000小时更换一次液压油。

1. The power unit is of S3 duty, which can only work intermittently and repeatedly and repeatedly, i.e., 1minute on and 9minutes off.
2. Clean all the hydraulic parts concerned before mounting the power unit.
3. Viscosity of the hydraulic oil should be 15-68 cst, which should also be clean and free of impurities. N46 hydraulic oil is recommended.
4. This power unit should be mounted vertically.
5. Check the oil level in the tank after the first star of the power unit.
6. Oil changing is required after the initial 100 operation hours, afterwards once every 3000 hours.

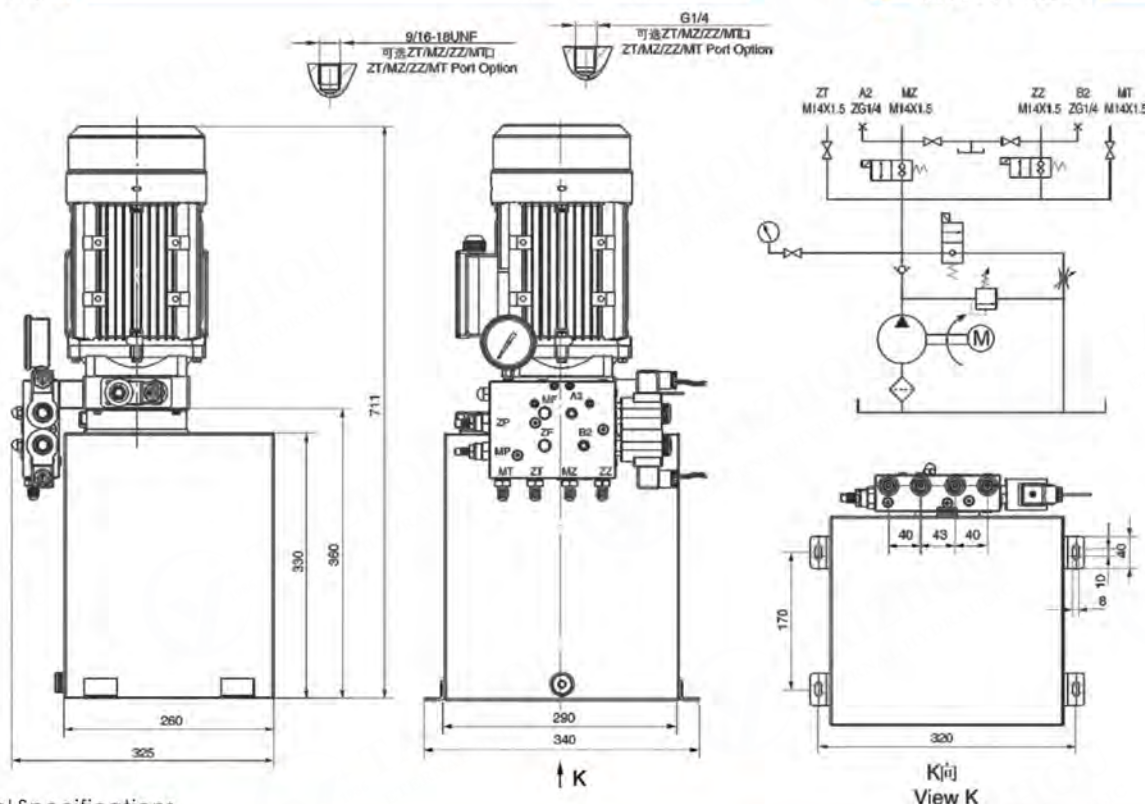
Product Introduction 产品简介

此液压动力单元采用零泄漏双向止回阀实现两条油路的完全隔离, 使得两条油路的上升和下降动作互不干扰, 是多缸单独升降系统的理想液压源: 结构中的四个截止阀用于系统电源故障时, 安全实现应急回油。该系列动力单元广泛应用于大剪升降机。

Equipped with the zero leakage double-check solenoid valves, this power unit fulfils the complete separation of the two independent circuits, which are respectively for the main platform and subordinate platform of the double scissors lift. Four cut-off valves are used for emergency oil return in case of power failure. By increasing the number of the solenoid valves, it is easy to get more independent circuits and to control the corresponding cylinders.



Outline Dimension 外形尺寸图



Model Specifications 型号规格说明

Model 型号	电机电压 Motor Volt	电机功率 Motor Power	额定转速 Rated Speed	油泵排量 Displacement	溢流阀压力 System Pressure	邮箱容量 Tank Capacity	电磁阀电压 Solenoid Valve Volt
HPU5-G2.1J3H30E/MCDBN2	220VAC	2.2KW	2800RPM	2.1ml/r	25MPa	25L	24VDC
HPU5-G2.5J4H30E/MCDEN2	380VAC			2.5ml/r			220VAC

说明: 1. 如需不同流量的泵、压力、电机功率等系统参数, 请查看液压动力单元型号说明或与销售联系。

Remark: 1. Please go to page 1 or consult our sales engineer for the different pump displacement, motor power or tank capacity.

Special Notes 注意事项

1. 此动力单元不可连续运转 (1分钟ON, 9分钟OFF), 可重复工作。
2. 安装前必须保证油缸、油管、接头等液压元件清洁无任何杂质粘附。
3. 液压油粘度应为15~68CST, 应清洁无杂质, 推荐使用N46号液压油。
4. 本液压动力单元适用于立式安装。
5. 首次启动运行系统后, 应立即检查油箱中的油量是否充足。
6. 系统使用第一个100小时后, 应更换液压油, 以后每3000小时更换一次液压油。

1. The power unit is of S3 duty, which can only work intermittently and repeatedly and repeatedly, i.e., 1minute on and 9minutes off.
2. Clean all the hydraulic parts concerned before mounting the power unit.
3. Viscosity of the hydraulic oil should be 15~68 cst, which should also be clean and free of impurities. N46 hydraulic
4. This power unit should be mounted vertically.
5. Check the oil level in the tank after the initial operation of the power unit.
6. Oil changing is required after the initial 100 operation hours, afterwards once every 3000 hours.

I Product Introduction

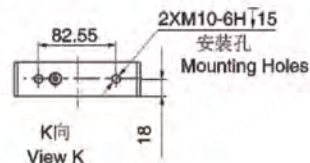
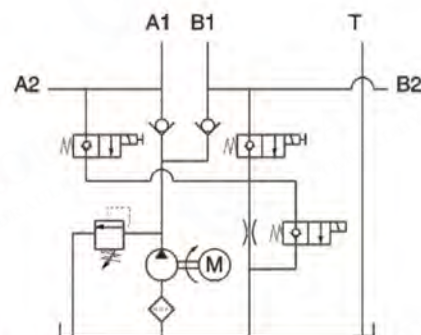
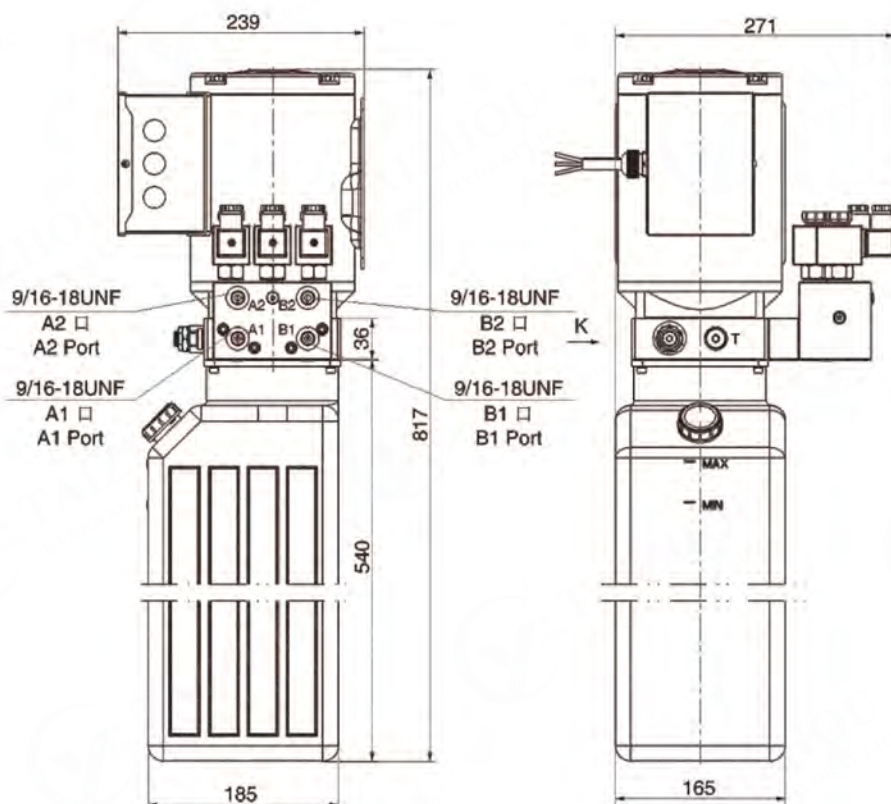
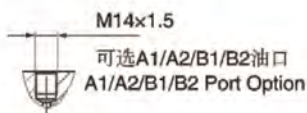
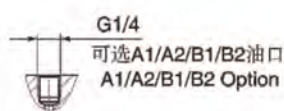
产品简介

此液压动力单元采用两单向阀并联实现了更高的安全性,下降过程中可通过电磁阀换向实现不同下降速度,系统采用高压齿轮泵,两个电磁卸荷阀都带有应急放油按钮,用于系统电源故障时,安全实现应急回油。

This power unit offers a higher safety level with two groups of check valves and solenoid release valves. Two different lowering speeds are achieved by energizing/de-energizing the third solenoid valve during the lowering process.

I Outline Dimension

外形尺寸图



I Model Specifications 型号规格说明

Model 型号	电机电压 Motor Volt	电机功率 Motor Power	额定转速 Rated Speed	油泵排量 Displacement	溢流阀压力 System Pressure	邮箱容量 Tank Capacity	电磁阀电压 Solenoid Valve Volt
HPU-H2.7D4I310A/AMQIT1	380VAC	3KW	2850/3450 RPM	2.7ml/r	32MPa	10L	24VDC
HPU-H2.7D30I310A/AMQIT1	200-240VAC/400-415VAC						
HPU-H2.7D4I310A/ACQJT1	380VAC		2850RPM	3.2ml/r			
HPU-H3.2D4I310A/ACQJT1							

说明: 1.如需不同流量的泵、压力、电机功率等系统参数, 请查看液压动力单元型号说明或与销售联系。

Remark: 1.Please go to page 1 or consult our sales engineer for the different pump displacement, motor power or tank capacity.

I Special Notes 注意事项

- 1.此动力单元不可连续运转(1分钟ON,9分钟OFF), 可重复工作。
- 2.安装前必须保证油缸、油管、接头等液压元件清洁无任何杂质黏附。
- 3.液压油粘度应为15~68CST, 应清洁无杂质, 推荐使用N46号液压油。
- 4.本液压系统适用于立式安装。
- 5.首次启动运行系统时, 应立即检查油箱中的油量是否充足。
- 6.系统使用第一个100小时后, 应更换液压油, 以后每3000小时更换液压油一次。

- 1.The power unit is of S3 duty, which can only be worked intermittently, ie., 1minute on and 9 minutes off.
- 2.Clean all the hydraulic parts concerned before mounting the power unit.
- 3.Viscosity of the oil should be 15-68 cst, and the oil should be clean and free of impurities, N46 hydraulic oil is recommended.
- 4.The power unit should be mounted vertically.
- 5.Check the oil level in the tank after the initial running of the power unit.
- 6.Oil changing is required after the initial 1000 operation hours, afterwards once every 3000 hours.



I Product Introduction

产品简介

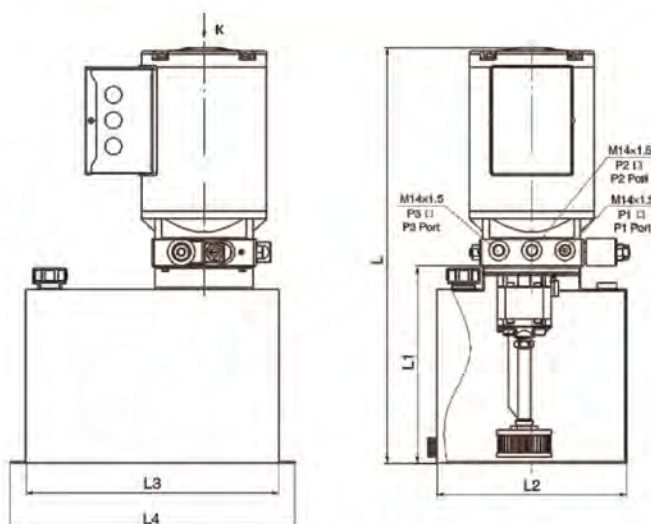
本产品专为小剪举升机设计, 系典型的动力上升, 重力下降, 液压回路, 启动电机实现上升, 打开电磁卸荷阀实现下降, 下降速度由节流阀调节, 阀块上提供了补油油口。

This power unit is designed exclusively for scissor lift, with a power up, gravity down function. Start the motor to lift the machine, the lowering movement is controlled by the solenoid release valve with the lowering speed adjusted by the throttle valve.



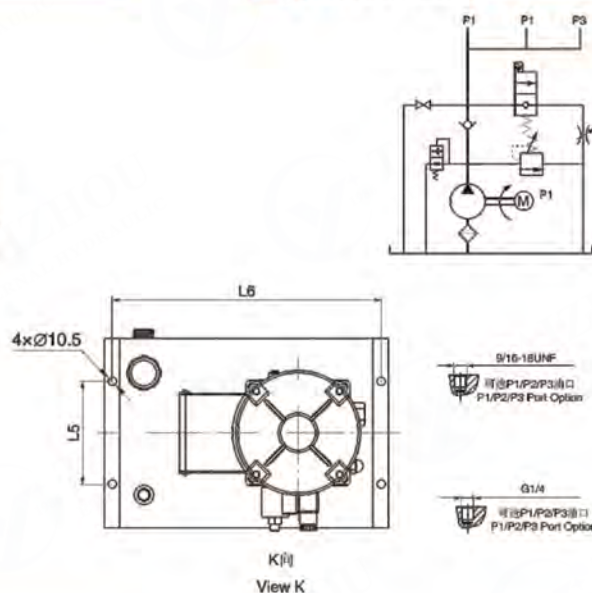
I Outline Dimension

外形尺寸图



I Hydraulic Circuit Diagram

系统工作原理



I Model Specifications

型号规格说明

Model 型号	电机电压 Motor Volt	电机功率 Motor Power	额定转速 Rated Speed	油泵排量 Displacement	溢流阀压力 System Pressure	邮箱容量 Tank Capacity	电磁阀电压 Solenoid Valve Volt	尺寸 Dimensions (mm)				
								L1	L2	L3	L4	L5
HPU5-F2.1G4H2/ACDBT1	380VAC	2.2KW	2850RPM	2.1ml/r	23MPa	15L	24VDC	516	240	260	180	320
HPU5-F2.1H4H2/BCDBT1						20L		586	310	260	180	320
HPU5-F2.1J3H2/LCDBT1						25L		586	310	290	210	340
HPU5-G2.5G3I2/ACDBT1	220VAC	3KW	2850RPM	2.5ml/r	25MPa	15L	24VDC	516	240	260	180	320
HPU5-G2.5H4I2/BCDBT1	20L					586		310	260	180	320	
HPU5-F2.7G4I2/LCDBT1	380VAC					2.7ml/r		23MPa	15L	586	310	290

说明: 1.如需不同流量的泵、压力、电机功率等系统参数, 请查看液压力单元型号说明或与销售联系。

Remark: 1.Please go to page 1 or consult our sales engineer for the different pump displacement, motor power or tank capacity.

I Special Notes

注意事项

- 1.此动力单元不可连续运转(1分钟ON,9分钟OFF), 可重复工作。
- 2.安装前必须保证油缸、油管、接头等液压元件清洁无任何杂质黏附。
- 3.液压油粘度应为15~68CST, 应清洁无杂质, 推荐使用N46号液压油。
- 4.本液压系统适用于立式安装。
- 5.首次启动运行系统时, 应立即检查油箱中的油量是否充足。
- 6.系统使用第一个100小时后, 应更换液压油, 以后每3000小时更换液压油一次。
- 7.如需不同的流量、压力、电机功率等系统参数, 请在订货时说明。

- 1.The power unit is of S3 duty, which can only be worked intermittently, i.e., 1minute on and 9 minutes off.
- 2.Clean all the hydraulic parts concerned before mounting the power unit.
- 3.Viscosity of the oil should be 15-68 cst, and the oil should be clean and free of impurities, N46 hydraulic oil is recommended.
- 4.The power unit should be mounted vertically.
- 5.Check the oil level in the tank after the initial running of the power unit.
- 6.Oil changing is required after the initial 1000 operation hours, afterwards once every 3000 hours.
- 7.we are at your disposal to offer you the power units with your favorite power, flow, pressure as well as the tank capacity.

I Product Introduction

产品简介

本产品专为小剪举升机设计，系典型的动力上升，重力下降，液压回路，启动电机实现上升，打开电磁卸荷阀实现下降，下降速度由节流阀调节，阀块上提供了补油油口。

This power unit is designed exclusively for scissor lift, with a power up, gravity down function. Start the motor to lift the machine, the lowering movement is controlled by the solenoid release valve with the lowering speed adjusted by the throttle valve.

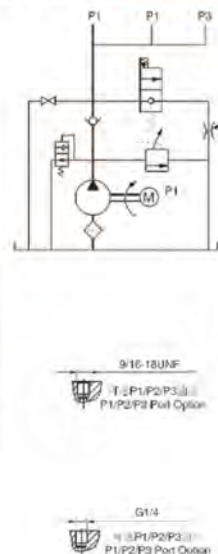
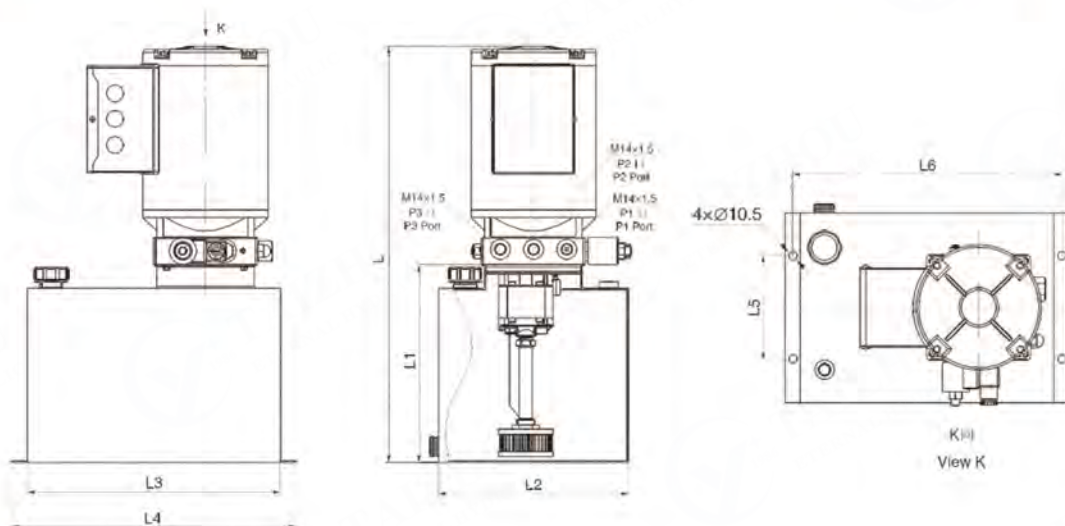


I Outline Dimension

外形尺寸图

I Hydraulic Circuit Diagram

系统工作原理



I Model Specifications

型号规格说明

Model 型号	电机电压 Motor Volt	电机功率 Motor Power	额定转速 Rated Speed	油泵排量 Displacement	溢流阀压力 System Pressure	油箱容量 Tank Capacity	电磁阀电压 Solenoid Valve Volt	尺寸 Dimensions (mm)					
								L1	L2	L3	L4	L5	L6
HPU5-F2.1G4H2/ACDBN1	380VAC	2.2KW	2850RPM	2.1ml/r	23MPa	15L	24VDC	522	240	260	300	180	320
HPU5-F2.1H4H2/BCDBN1						20L		592	310	260	300	180	320
HPU5-F2.1J3H2/LCDBN1						25L		592	310	290	320	210	340
HPU5-G2.5G3I2/ACDBN1	220VAC	3KW	2850RPM	2.5ml/r	25MPa	15L		522	240	260	300	180	320
HPU5-G2.5H4I2/BCDBN1						20L		592	310	260	300	180	320
HPU5-F2.7G4I2/LCDBN1						15L		592	310	290	320	210	340

说明: 1.如需不同流量的泵、压力、电机功率等系统参数, 请查看液压动力单元型号说明或与销售联系。

Remark: 1. Please go to page 1 or consult our sales engineer for the different pump displacement, motor power or tank capacity.

I Special Notes

注意事项

- 1.此动力单元为S3工作制, 不可连续运转, (1分钟开, 9分钟停)。
- 2.安装前必须保证油缸、油管、接头等液压元件清洁无任何杂质粘附。
- 3.液压油粘度应为15~68CST, 应清洁无杂质, 推荐使用N46号液压油。
- 4.系统使用第一个100小时后, 应更换液压油, 以后每3000小时更换一次液压油。
- 5.本液压动力单元适用于立式安装。

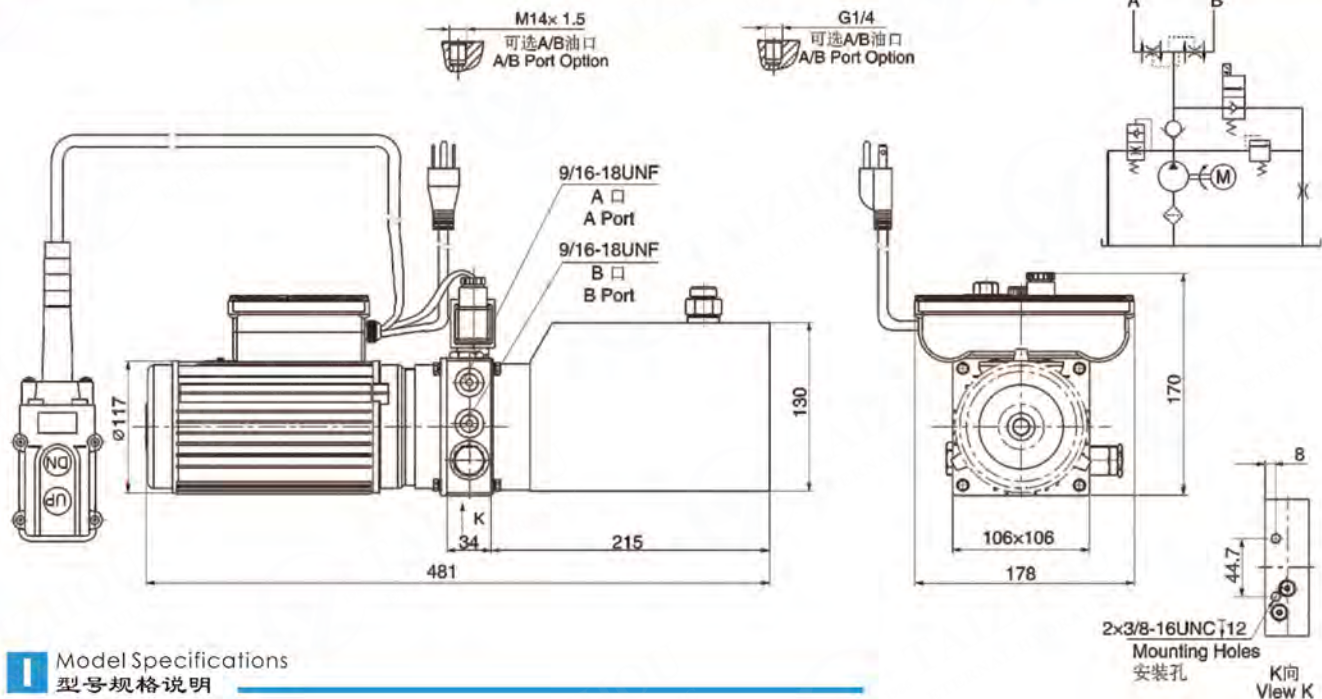
- 1.This power unit is of S3 duty cycle, i.e., non-continuous operation, 1 minute on and 9 minutes off.
- 2.Clean all the hydraulic parts concerned before mounting the power unit.
- 3.Viscosity of the hydraulic oil should be 15~68 cst, which should also be clean and free of impurities. N46 hydraulic oil is recommended.
- 4.Oil changing is required after the initial 100 operation hours, afterwards once every 3000 hours.
- 5.The power unit should be mounted vertically.

I Product Introduction
产品简介

此动力单元由高压齿轮泵、小功率电机、多用集成块、各式液压阀、油箱等零部件有机结合为一体,系典型的动力上升、重力下降液压回路,下降速度由固定节流阀控制,分流/集流阀可实现双油缸的同步动作。

Consisting of high pressure gear pump, AC or DC motor, multi-functional manifold, valves, tank etc., this power unit features typical power up, gravity down function. The lowering movement is controlled by the solenoid valve with the lower speed controlled by nonadjustable throttle valve. The high precision flow divider/combiner valve enables the synchronization of the 2 cylinders of the lift.

I Outline Dimension
外形尺寸图



I Model Specifications
型号规格说明

Model 型号	电机电压 Motor Volt	电机功率 Motor Power	额定转速 Rated Speed	油泵排量 Displacement	溢流阀压力 System Pressure	邮箱容量 Tank Capacity	电磁阀电压 Solenoid Valve Volt
HPU5-F0.32Z5D195/TLLFT1	110VAC	550W	3450RPM	0.32ml/r	22MPa	2L	110VAC
HPU5-F0.75Z5D195/TLLFT1				0.75ml/r	14MPa		24VDC
HPU5-F0.6Z5D195/TLLFT1			2850/3450RPM	0.6ml/r	16.5MPa		
HPU5-F0.6Z3D195/TMLCT1	220VAC	800W					2850RPM
HPU5-F0.6Z18D195/TCLCT1	240VAC		2880RPM				
HPU5-F0.38Z1T195/UVLAT1	12VDC	800W	2880RPM	0.38ml/r	18MPa		

说明: 1.如需不同流量的泵、压力、电机功率等系统参数, 请查看液压动力单元型号说明或与销售联系。

Remark: 1. Please go to page 1 or consult our sales engineer for the different pump displacement, motor power or tank capacity.

I Special Notes
注意事项

- 1.此动力单元为S3工作制,不可连续运转,30秒开,270秒停。
- 2.安装前必须保证油缸、油管、接头等液压元件清洁无任何杂质粘附。
- 3.液压油粘度应为15-68CST,应清洁无杂质,推荐使用N46号液压油。
- 4.系统使用第一个100小时后,应更换液压油,以后每3000小时更换一次液压油。
- 5.本液压动力单元适用于卧式安装。
- 6.使用本动力单元的升降机必须在两个平台上都安装有机电保险。

- 1.This power unit is of S3 duty cycle,i.e.,non-continuous operation,30 seconds on and 270 seconds off.
- 2.Clean all the hydraulic parts concerned before mounting the power unit.
- 3.Viscosity of the hydraulic oil should be 15-68 cst, which should also be clean and free of impurities.
- 4.Oil changing is required after the initial 100 operation hours,afterwards once every 3000 hours.
- 5.The power unit should be mounted horizontally.
- 6.Mechanical locks are needed on both platforms to use this product.

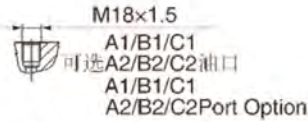
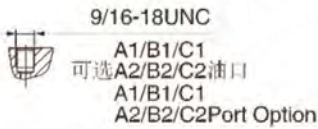
I Product Introduction 产品简介

本液压动力单元集成了高压齿轮泵、电机、液压阀、油箱、液压阀块等液压元件, 控制多组双作用油缸单独动作。

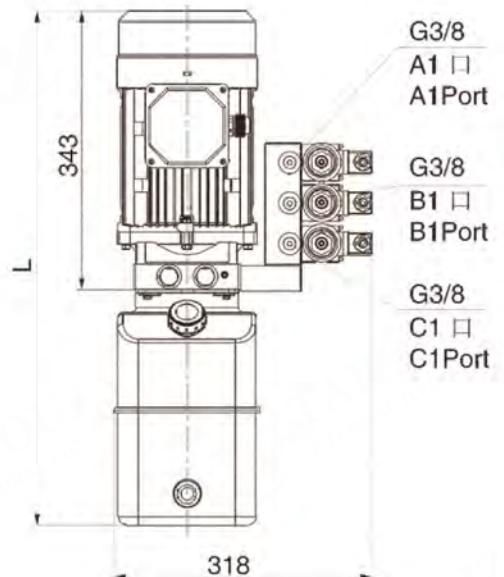
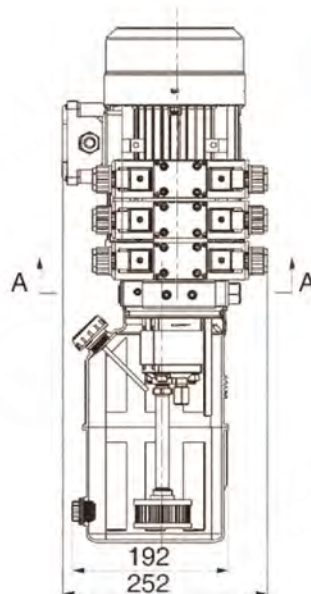
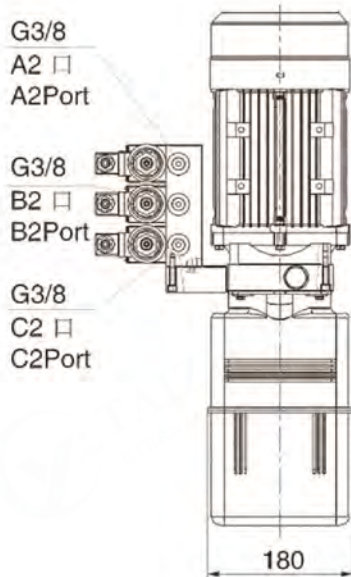
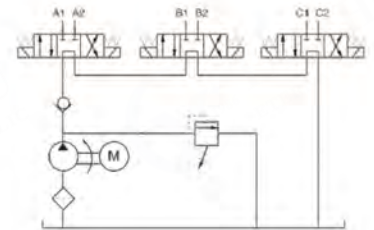
The hydraulic power unit integrates gear pump, AC motor, multi-functional manifold valves, tank, etc. The solenoid valves in series connection control the extension and retracting of the double acting cylinder.

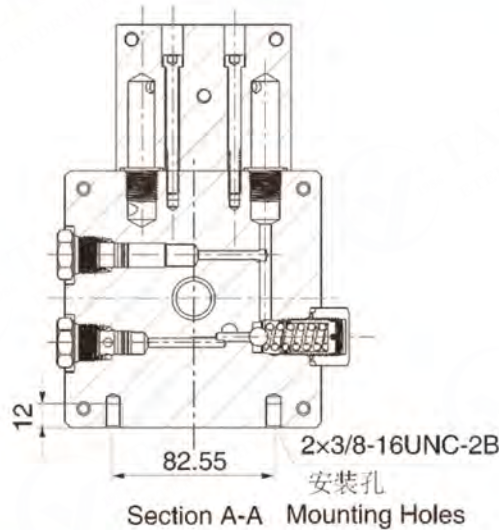


I Outline Dimension 外形尺寸图



I Hydraulic Circuit Diagram 系统工作原理





I Model Specifications
型号规格说明

Model 型号	电机电压 Motor Volt	电磁阀电压 Solenoid Valve Volt	电机功率 Motor Power	额定转速 Rated Speed	油泵排量 Displacement	溢流阀压力 System Pressure	邮箱容量 Tank Capacity	L(mm)
HPU5-F2.1B4G40/MNVBE1	380VAC	24VDC	1.5KW	1430/ 1650RPM	2.1ml/r	20MPa	5L	633
HPU5-F2.5B4G40/MNVBE1					2.5ml/r		6L	678
HPU5-F3.2B4G40/MNVAE1		12VDC			3.2ml/r		8L	783

说明: 1.如需不同流量的泵、压力、电机功率等系统参数, 请查看液压动力单元型号说明或与销售联系。

Remark: 1.Please go to page 1 or consult our sales engineer for the different pump displacement, motor power or tank capacity.

I Special Notes
注意事项

- 1.此动力单元为S3工作制, 不可连续运转, (1分钟开, 9分钟停)。
- 2.安装前必须保证油缸、油管、接头等液压元件清洁无任何杂质黏附。
- 3.液压油粘度应为15~68CST, 应清洁无杂质, 推荐使用N46号液压油。
- 4.首次启动运行系统时, 应立即检查油箱中的油量是否充足。
- 5.系统使用第一个100小时后, 应更换液压油. 以后每3000小时更换液压油一次。

- 1.This power unit is of S3 duty cycle,i.e.,non-continuous operation,1 minunte on and 9 minutes off.
- 2.Clean all the hydraulic parts concerned before mounting the power unit.
- 3.Viscosity of the oil should be 15-68 cst, and the oil should be clean and free of impurities,N46 hydraulic oil is recommended.
- 4.The power unit should be mounted vertically.
- 5.Check the oil level in the tank after the initial running of the power unit.
- 6.Oil changing is required after the initial 1000 operation hours,afterwards once every 3000 hours.



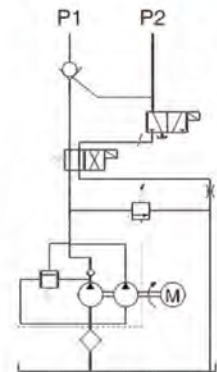
I Product Introduction 产品简介

此液压动力单元由高低压双联齿油轮、交流电机、多用集成块、液压阀、油箱等零部件有机结合为一体,在低压工作时,双泵同时输出流量,高压工作时,只有小排量泵输出流量,有效地减少了能量消耗。

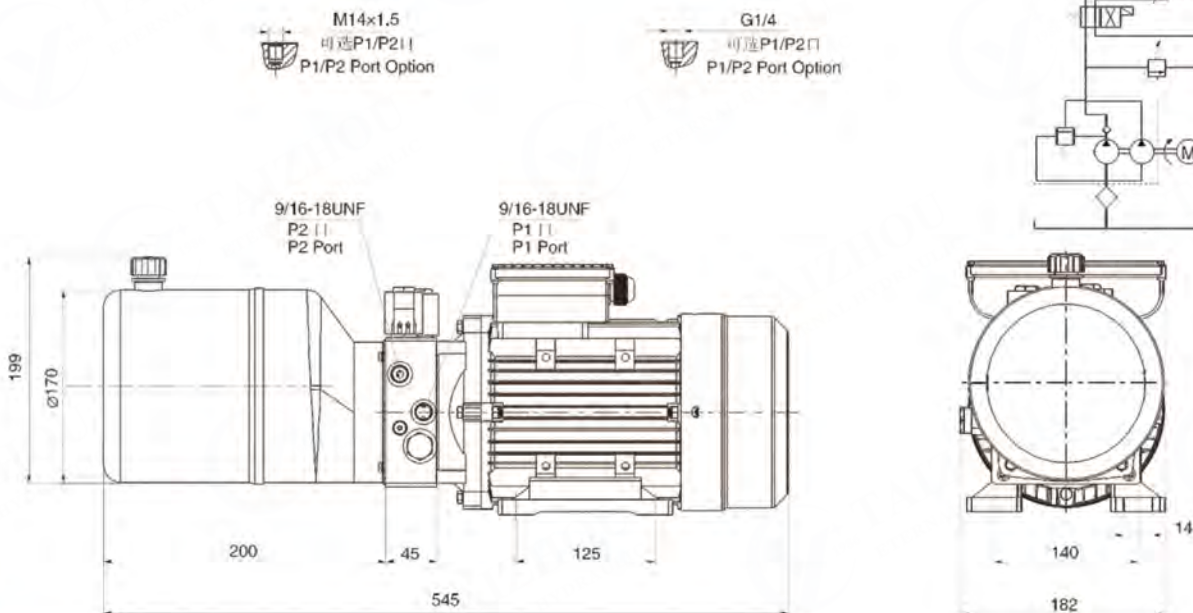
The hydraulic power unit integrates with hi/low gear pump, AC motor, multi-functional manifold, valves, tank, etc. While working at lower pressure, both pumps output flow, while working at higher pressure, only small pump outputs flow. This enables the power unit to have a high flow at low pressure and lower power consumption at high pressure. Two different retracting speeds are achieved by energizing/de-energizing the 3-way valve.



I Hydraulic Circuit Diagram 系统工作原理



I Outline Dimension 外形尺寸图



I Model Specifications 型号规格说明

Model 型号	电机电压 Motor Volt	电磁阀电压 Solenoid Valve Volt	电机功率 Motor Power	额定转速 Rated Speed	油泵排量Displacement		溢流阀压力 System Pressure	邮箱容量 Tank Capacity	L(mm)
					Low Pre. 低压	High Pre. 高压			
HPU5-C4.2/F1.2A19F305/LKABT1	120VAC	24VDC	1.1KW	1750RPM	4.2ml/r	1.2ml/r	14.5MPa	4L	556
HPU5-C3.7/F1.2A19F305/LKABT1	380VAC			1450RPM	3.7ml/r	1.2ml/r	20MPa		542
HPU5-C2.1/F1.2A19F305/LKABT1	220VAC		0.75KW	1450RPM	2.1ml/r	0.8ml/r	16MPa		507

说明: 1.如需不同流量的泵、压力、电机功率等系统参数,请查看液压动力单元型号说明或与销售联系。

Remark: 1.Please go to page 1 or consult our sales engineer for the different pump displacement, motor power or tank capacity.

I Special Notes 注意事项

- 1.此动力单元不可连续运转(1分钟ON, 9分钟OFF), 可重复工作。
- 2.安装前必须保证油缸、油管、接头等液压元件清洁无任何杂质粘附。
- 3.液压油粘度应为15~68CST, 应清洁无杂质, 推荐使用N46号液压油。
- 4.系统使用第一个100小时后, 应更换液压油, 以后每3000小时更换一次液压油。
- 5.本液压动力单元适用于卧式安装。

- 1.The power unit is of S3 duty, which can only be worked intermittently, i.e., 1minute on and 9 minutes off.
- 2.Clean all the hydraulic parts concerned before mounting the power unit.
- 3.Viscosity of the hydraulic oil should be 15~68 cst, which should also be clean and free of impurities.N46 hydraulic oil is recommended.
- 4.Oil changing is required after the initial 100 operation hours, afterwards once every 3000 hours.
- 5.The power unit should be mounted horizontally.

I Product Introduction

产品简介

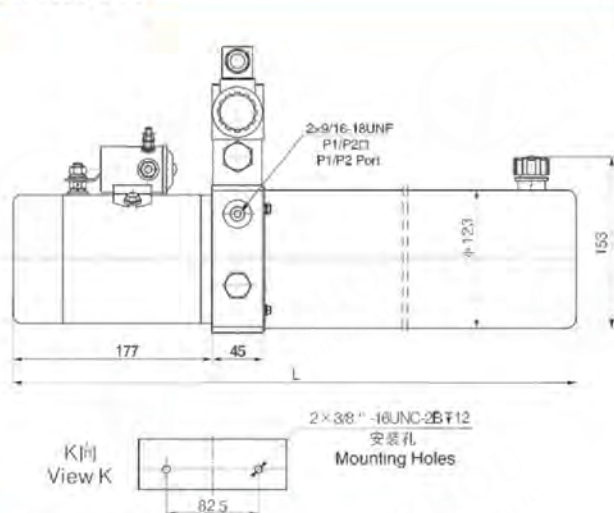
此动力单元由高压齿轮泵、直流电机、多用集成块、各式液压阀、油箱等零部件有机结合为一体,性能稳定,结构紧凑,广泛应用于汽车,园林机械,机床,物流设备等。

This power unit consists of high pressure gear pump, DC motor, multi-functional manifold, valves, tank, etc. It features stable performance and compact structure, and can be widely used in automotive, garden machineries, machine tools, logistics equipments etc.



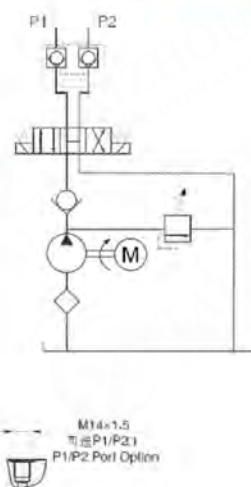
I Outline Dimension

外形尺寸图



I Hydraulic Circuit Diagram

系统工作原理



I Model Specifications

型号规格说明

Model 型号	电机电压 Motor Volt	电机功率 Motor Power	额定转速 Rated Speed	油泵排量 Displacement	溢流阀压力 System Pressure	邮箱容量 Tank Capacity	L(mm)
HPU5-F2.1A1W209/WUAAC1	12VDC	1.5KW	2500RPM	2.1ml/r	20MPA	3L	567
HPU5-F2.5B2A209/WUABC1	24VDC	2KW		2.5ml/r	20MPA	5L	472
HPU5-F2.7B3G209/LBAEC1	220VAC	1.5KW	1450RPM	2.7ml/r	22MPA	6L	642
HPU5-F3.2E3G209/LBCEC1				3.2ml/r	20MPA	12L	692
HPU5-F2.5F3H209/LCCEC1		2.2KW	2850RPM	2.5ml/r	18MPA	14L	665
Y8Z5-E3.2G3H209/LCCEC1				3.2ml/r	15MPA	16L	597
HPU5-D4.2G3H209/LCCEC1	380VAC	3KW	2850RPM	4.2ml/r	10MPA	16L	597
HPU5-F2.7H4I209/LCCEC1				2.7ml/r	20MPA	20L	930
HPU5-F3.2I4I209/LCCEC1				3.2ml/r	18MPA	22L	1015
HPU5-E3.7J4I209/LCCEC1				3.7ml/r	16MPA	25L	1100

说明: 1.如需不同流量的泵、压力、电机功率等系统参数,请查看液压力单元型号说明或与销售联系。

Remark: 1. Please go to page 1 or consult our sales engineer for the different pump displacement, motor power or tank capacity.

I Special Notes

注意事项

- 1.此动力单元为S3工作制,不可连续运转,30秒开,270秒停。
- 2.安装前必须保证油缸、油管、接头等液压元件清洁无任何杂质粘附。
- 3.液压油粘度应为15~68CST,应清洁无杂质,推荐使用N46号液压油。
- 4.系统使用第一个100小时后,应更换液压油,以后每3000小时更换一次液压油。
- 5.本液压力单元适用于卧式安装。

- 1.This power unit is of S3 duty cycle, i.e., non-continuous operation, 30 seconds on and 270 seconds off.
2. Clean all the hydraulic parts concerned before mounting the power unit.
3. Viscosity of the hydraulic oil should be 15~68 cst, which should also be clean and free of impurities. N46 hydraulic oil is recommended.
4. Oil changing is required after the initial 100 operation hours, afterwards once every 3000 hours.
5. The power unit should be mounted horizontally.

I Product Introduction

产品简介

此动力单元由高压齿轮泵、直流电机、多用集成块、各式液压阀、油箱等零部件有机结合为一体,是基本的中位卸荷动力上升、动力下降油路,适合于对一组双作用缸的驱动和控制。

Consisting of high pressure gear pump, DC motor, multi-functional manifold, valves and reservoir, this power unit features a basic neutral open, power up power down function, which is used to the drive and control a group of double acting cylinders.

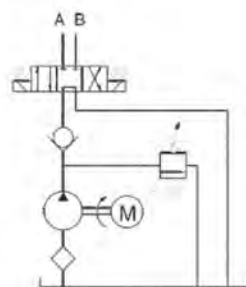
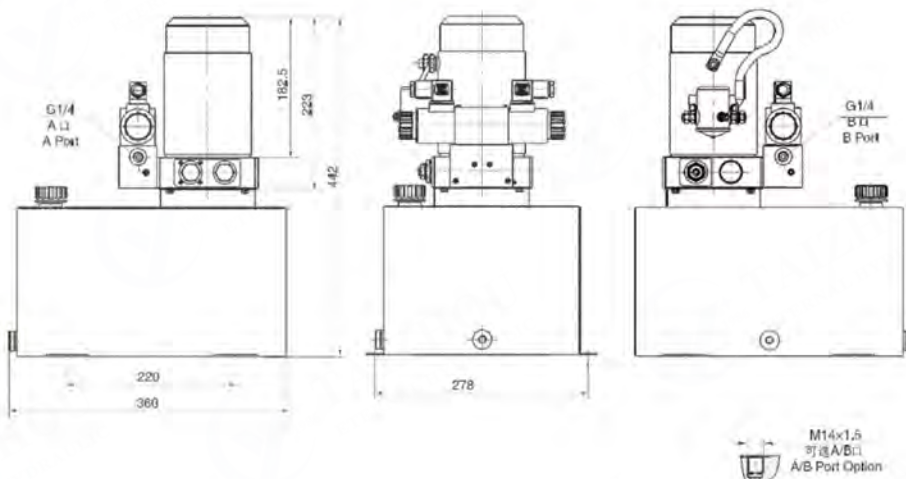


I Outline Dimension

外形尺寸图

I Hydraulic Circuit Diagram

系统工作原理



M14x1.5
可选A/B口
A/B Port Option

9/16-18UNF
可选A/B口
A/B Port Option

I Model Specifications

型号规格说明

Model 型号	电机电压 Motor Volt	电机功率 Motor Power	额定转速 Rated Speed	油泵排量 Displacement	溢流阀压力 System Pressure	邮箱容量 Tank Capacity	电磁阀电压 Solenoid Valve Volt
HPU5-F1.2A1W4/WUAAN1	12VDC	1.5KW	2500RPM	1.2ml/r	20MPa	3.5L	12VDC
HPU5-F1.6B1W4/WUAAN1				1.6ml/r		5L	
HPU5-F2.7B2A4/WUDBN1	24VDC	2KW		2.7ml/r		6L	24VDC
HPU5-F2.5F2A4/WUDBN1				2.5ml/r		14L	

说明: 1.如需不同流量的泵、压力、电机功率等系统参数, 请查看液压动力单元型号说明或与销售联系。

Remark: 1. Please go to page 1 or consult our sales engineer for the different pump displacement, motor power or tank capacity.

I Special Notes

注意事项

1. 此动力单元为S3工作制, 不可连续运转, 30秒开, 270秒停。
2. 安装前必须保证油缸、油管、接头等液压元件清洁无任何杂质粘附。
3. 液压油粘度应为15~68CST, 应清洁无杂质, 推荐使用N46号液压油。
4. 系统使用第一个100小时后, 应更换液压油, 以后每3000小时更换一次液压油。
5. 本液压动力单元适用于立式安装。

1. This power unit is of S3 duty cycle, i.e., non-continuous operation, 30 seconds on and 270 seconds off.
2. Clean all the hydraulic parts concerned before mounting the power unit.
3. Viscosity of the hydraulic oil should be 15~68 cst, which should also be clean and free of impurities. N46 hydraulic oil is recommended.
4. Oil changing is required after the initial 100 operation hours, afterwards once every 3000 hours.
5. The power unit should be mounted vertically.

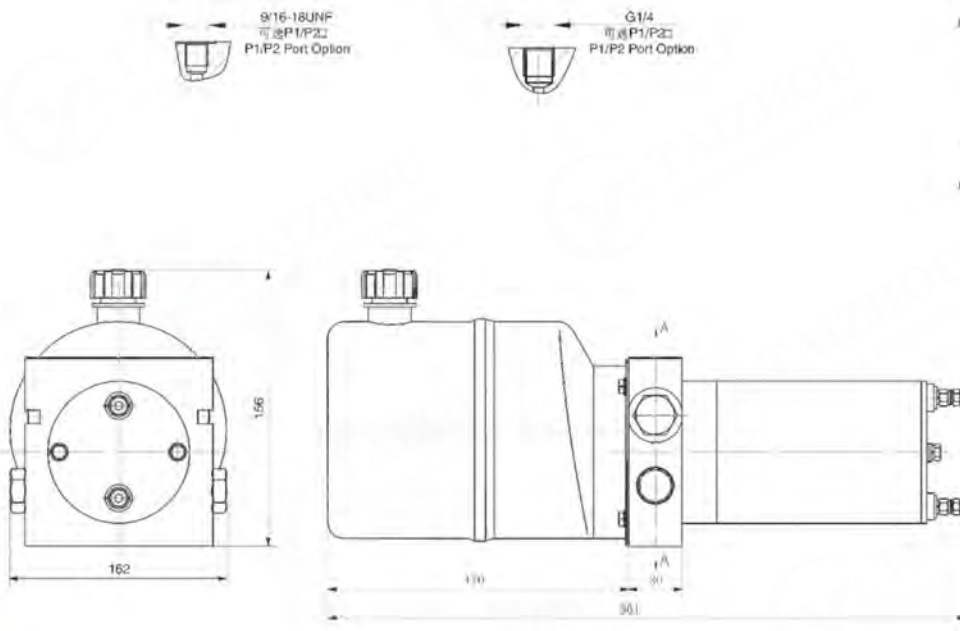
I Product Introduction 产品简介

此动力单元由双向齿轮泵、直流电机、多用集成块、各式液压阀、油箱等零部件有机结合为一体。尤其是该双向动力单元在没有换向阀的情况下，同样能顺利的完成换向的任务。这就使得该动力单元体积小、美观，同时该动力单元结构紧凑、性能稳定。广泛应用于车辆，机床等设备。

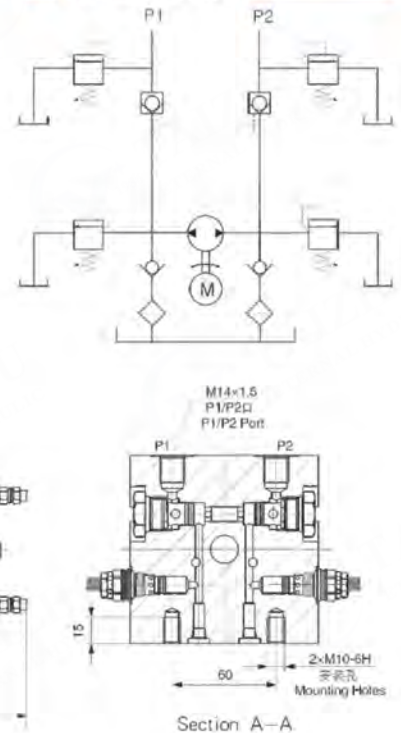
Equipped with a reversible motor, a bidirectional gear pump, double P.O. check valves, relief valves and a tank etc. this power unit can drive a double acting cylinder to extend and retract without a directional solenoid valve. It is typically used in recreational vehicles and machine tools.



I Outline Dimension 外形尺寸图



I Hydraulic Circuit Diagram 系统工作原理



I Model Specifications 型号规格说明

Model 型号	电机电压 Motor Volt	电机功率 Motor Power	额定转速 Rated Speed	油泵排量 Displacement	溢流阀压力 System Pressure	邮箱容量 Tank Capacity
HPUS-E0.5S1T101/1	12VDC	0.8KW	2880RPM	0.5ml/r	17.5MPa	1.4L
HPUS-E0.63S2T101/1	24VDC			0.63ml/r		

说明: 1.如需不同流量的泵、压力、电机功率等系统参数, 请查看液压力单元型号说明或与销售联系。

Remark: 1. Please go to page 1 or consult our sales engineer for the different pump displacement, motor power or tank capacity.

I Special Notes 注意事项

- 1.此动力单元为S3工作制, 不可连续运转, 30秒开, 270秒停。
- 2.安装前必须保证油缸、油管、接头等液压元件清洁无任何杂质粘附。
- 3.液压油粘度应为15~68CST, 应清洁无杂质, 推荐使用N46号液压油。
- 4.本液压力单元适用于卧式安装。
- 5.首次启动运行系统后, 应立即检查油箱中的油量是否充足。
- 6.系统使用第一个100小时后, 应更换液压油, 以后每3000小时更换一次液压油。

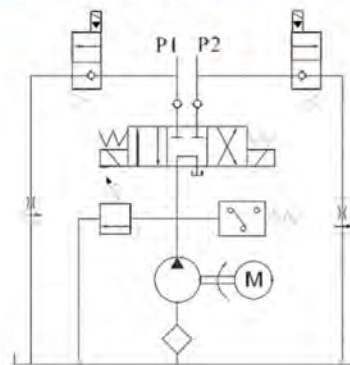
- 1.This power unit is of S3 duty cycle,i.e.,non-continuous operation,30 seconds on and 270 seconds off.
- 2.Clean all the hydraulic parts concerned before mounting the power unit.
- 3.Viscosity of the hydraulic oil should be 15-68 cst, which should also be clean and free of impurities.N46 hydraulic oil is recommended.
- 4.This power unit should be mounted horizontally.
- 5.Check the oil level in the tank after the first star of the power unit.
- 6.Oil changing is required after the initial 100 operation hours, afterwards once every 3000 hours.

I Product Introduction
产品简介

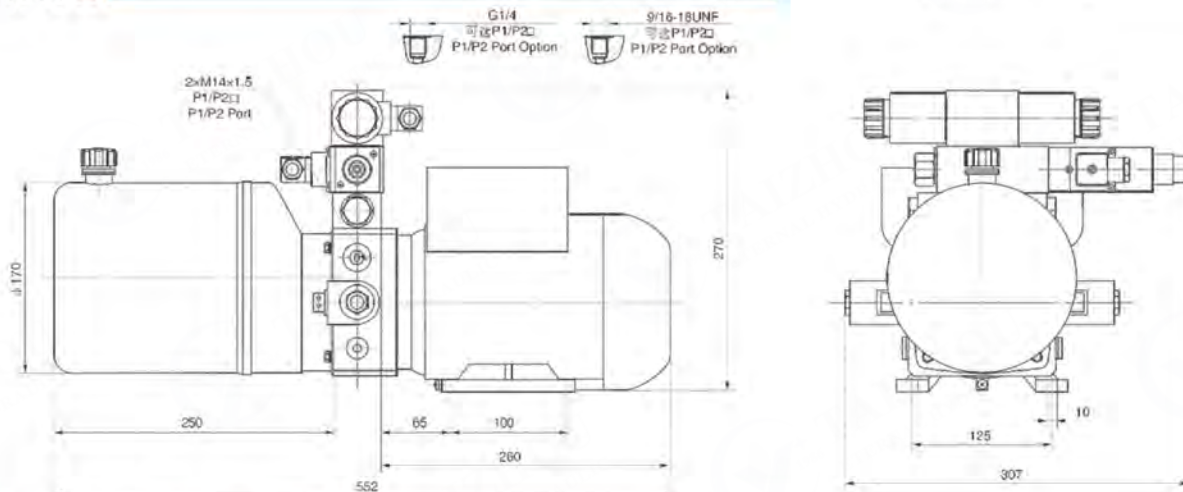
此液压动力单元专为电动篮球架设计，由高压齿轮泵、电机、多用集成块、插装阀、叠加阀、油箱等零部件有机结合为一体，构成两条独立的英武的液压上升、重力下降回路，用于篮板和篮球架走轮的升降运动，压力补偿平衡阀的应用使得篮球架走轮的下降动作十分平稳。

This power unit is designed exclusively for the electric-basketball stand, consisting of two independent, typical "power up, gravity down" circuits for the up and down movements of the basketball board and the whole basketball stand. The pressure switch will stop the motor once the basketball or the whole stand is completely lifted. The pressure-compensated balance valves make the lowering movements very smooth.

I Hydraulic Circuit Diagram
系统工作原理



I Outline Dimension
外形尺寸图



I Model Specifications
型号规格说明

Model 型号	电机电压 Motor Volt	电机功率 Motor Power	额定转速 Rated Speed	油泵排量 Displacement	溢流阀压力 System Pressure	邮箱容量 Tank Capacity	电磁阀电压 Solenoid Valve Volt
HPU5-F1.6B3E42/1	220VAC	0.75KW	1450RPM	1.6 ml/r	20MPa	5L	24VDC
HPU5-E3.7B3G42/1		1.5KW		3.7ml/r	18MPa		

说明: 1.如需不同流量的泵、压力、电机功率等系统参数，请查看液压动力单元型号说明或与销售联系。

2.如需订购CSA或UL认证，60HZ的动力单元，请在订货时说明。

Remark: 1. Please go to page 1 or consult our sales engineer for the different pump displacement, motor power or tank capacity.

2. 60HZ motors with CSA or UL certification are available upon request.

I Special Notes
注意事项

- 1.此动力单元不可连续运转(1分钟ON,9分钟OFF)，可重复工作。
- 2.安装前必须保证油缸、油管、接头等液压元件清洁无任何杂质粘附。
- 3.液压油粘度应为15~68CST，应清洁无杂质，推荐使用N46号液压油。
- 4.本液压动力单元适用于卧式安装。
- 5.首次启动运行系统后，应立即检查油箱中的油量是否充足。
- 6.系统使用第一个100小时后，应更换液压油，以后每3000小时更换一次液压油。

- 1.The power unit is of S3 duty, which can only be worked intermittently, i.e., 1minute on and 9 minutes off.
- 2.Clean all the hydraulic parts concerned before mounting the power unit.
- 3.Viscosity of the hydraulic oil should be 15-68 cst, which should also be clean and free of impurities.N46 hydraulic oil is recommended.
- 4.This power unit should be mounted horizontally.
- 5.Check the oil level in the tank after the first star of the power unit.
- 6.Oil changing is required after the initial 100 operation hours, afterwards once every 3000 hours.

I Product Introduction 产品简介

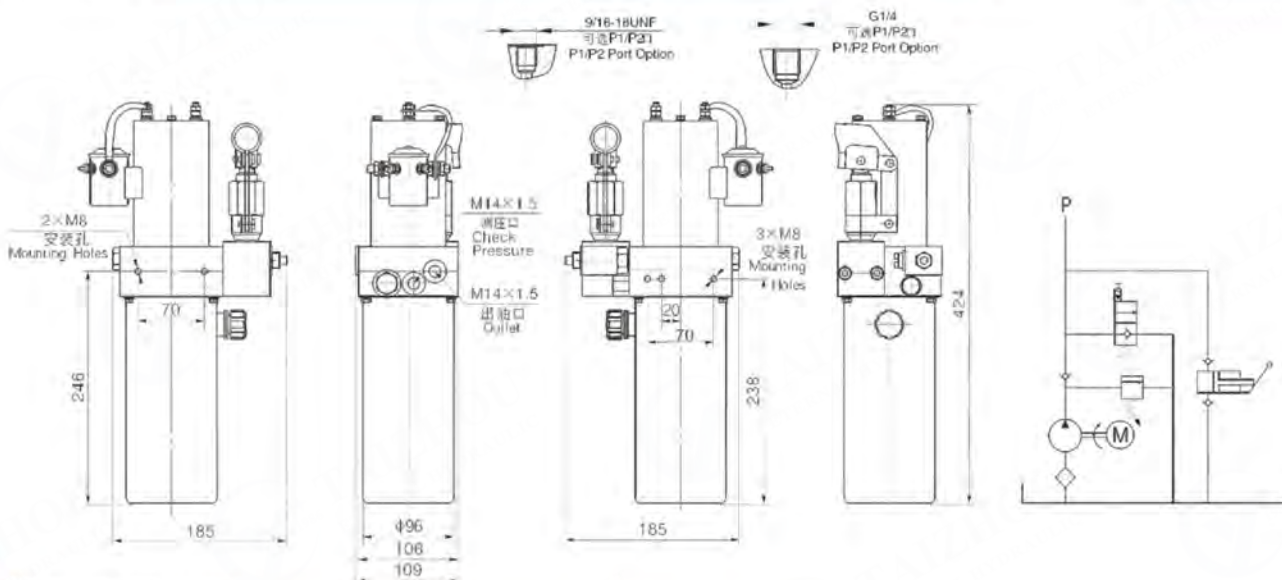
此液压动力单元专为残疾人车用轮椅升降台设计,由高压齿轮油泵、直流电机、多用集成块、液压阀、油箱等零部件有机结合为一体。升降台可以电动控制上升也可以手动控制上升,下降由电磁卸荷阀卸荷实现。

The power unit is designed exclusively for lifting the disabled people's wheelchair when they are getting in or off a certain type of vehicles. As a typical power up gravity down hydraulic system, it is composed of high pressure gear pump, hand pump, motor multi-functional manifold, valve, tank, etc. With the hand pump and the manual override release valve, the power unit can be operated even if no electrical power is available. The unloading valve enables the wheelchair to lower smoothly.



I Outline Dimension 外形尺寸图

I Hydraulic Circuit Diagram 系统工作原理



I Model Specifications 型号规格说明

Model 型号	电机电压 Motor Volt	电机功率 Motor Power	额定转速 Rated Speed	油泵排量 Displacement	溢流阀压力 System Pressure	邮箱容量 Tank Capacity
HPU-D0.63S1T48/1	12VDC	0.8KW	2880RPM	0.63ml/r	12MPa	1.4L
HPU-D0.8S1T48/1				0.8ml/r		
HPU-D0.63S2T48/1	24VDC			0.63ml/r		
HPU-D0.8S2T48/1				0.8ml/r		

说明: 1.如需不同流量的泵、压力、电机功率等系统参数,请查看液压动力单元型号说明或与销售联系。

Remark: 1.Please go to page 1 or consult our sales engineer for the different pump displacement, motor power or tank capacity.

I Special Notes 注意事项

- 1.此动力单元为S3工作制,不可连续运转,30秒开,270秒停。
- 2.安装前必须保证油缸、油管、接头等液压元件清洁无任何杂质粘附。
- 3.液压油粘度应为15~68CST,应清洁无杂质,推荐使用N46号液压油。
- 4.本液压动力单元适用于立式安装。
- 5.首次启动运行系统后,应立即检查油箱中的油量是否充足。
- 6.系统使用第一个100小时后,应更换液压油,以后每3000小时更换一次液压油。

- 1.This power unit is of S3 duty cycle,i.e.,non-continuous operation,30 seconds on and 270 seconds off.
- 2.Clean all the hydraulic parts concerned before mounting the power unit.
- 3.Viscosity of the hydraulic oil should be 15-68 cst, which should also be clean and free of impurities.N46 hydraulic oil is recommended.
- 4.This power unit should be mounted vertically.
- 5.Check the oil level in the tank after the first start of the power unit.
- 6.Oil changing is required after the initial 100 operation hours, afterwards once every 3000 hours.

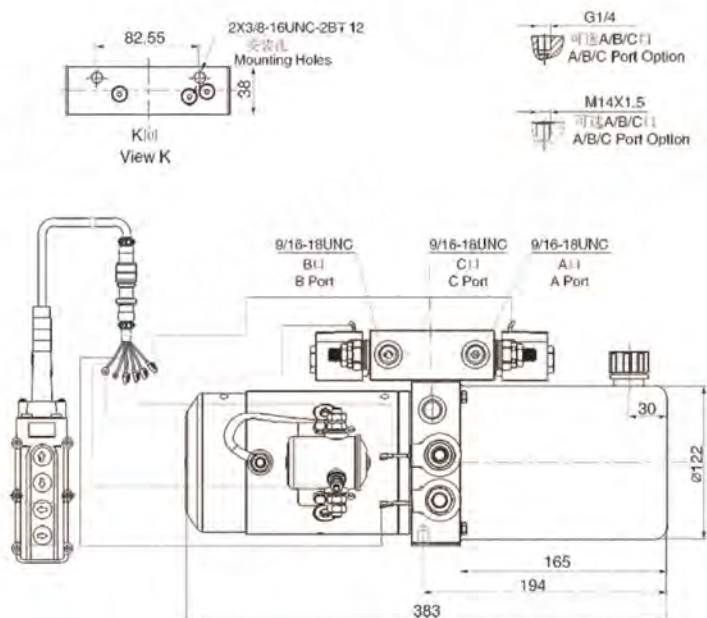
I Product Introduction 产品简介

此液压力动力单元由高压齿轮油泵、直流电机、多用集成块、液压阀、邮箱等零部件有机集合为一体。能实现雪犁的提升、下降、浮动和左右摇摆。

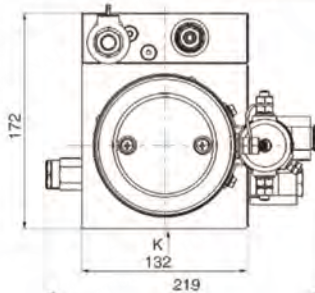
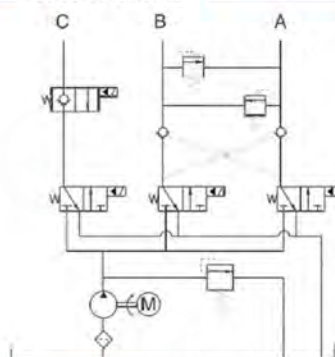
This power unit consists of gear pump, DC motor, multi-functional manifold, valves, tank, etc. With the function of lifting, lowering, floating and angling.



I Outline Dimension 外形尺寸图



I Hydraulic Circuit Diagram 系统工作原理



I Model Specifications 型号规格说明

Model 型号	电机电压 Motor Volt	电机功率 Motor Power	额定转速 Rated Speed	油泵排量 Displacement	溢流阀压力 System Pressure	邮箱容量 Tank Capacity	电磁阀电压 Solenoid Valve Volt
HPU5-E1.2Y1W514/WUAAT1	12VDC	1.5KW	2500RPM	1.2ml/r	15MPa	1.6L	12VDC
HPU5-E1.6Y1W514/WUAAT1				1.6ml/r			
HPU5-E2.1Y2W514/WUABT1	24VDC	2KW		2.1ml/r			24VDC
HPU5-E2.5Y2W514/WUABT1				2.5ml/r			

说明: 1.如需不同流量的泵、压力、电机功率等系统参数, 请查看液压力动力单元型号说明或与销售联系。

Remark: 1. Please go to page 1 or consult our sales engineer for the different pump displacement, motor power or tank capacity.

I Special Notes 注意事项

1. 此动力单元为S3工作制, 不可连续运转, 30秒开, 270秒停。
2. 安装前必须保证油缸、油管、接头等液压元件清洁无任何杂质粘附。
3. 液压油粘度应为15-68CST, 应清洁无杂质, 推荐使用N46号液压油。
4. 首次启动运行系统后, 应立即检查油箱中的油量是否充足。
5. 系统使用第一个100小时后, 应更换液压油, 以后每3000小时更换一次液压油。

1. This power unit is of S3 duty cycle, i.e., non-continuous operation, 30 seconds on and 270 seconds off.
2. Clean all the hydraulic parts concerned before mounting the power unit.
3. Viscosity of the hydraulic oil should be 15-68 cst, which should also be clean and free of impurities. N46 hydraulic oil is recommended.
4. Check the oil level in the tank after the first start of the power unit.
5. Oil changing is required after the initial 100 operation hours, afterwards once every 3000 hours.

I Product Introduction

产品简介

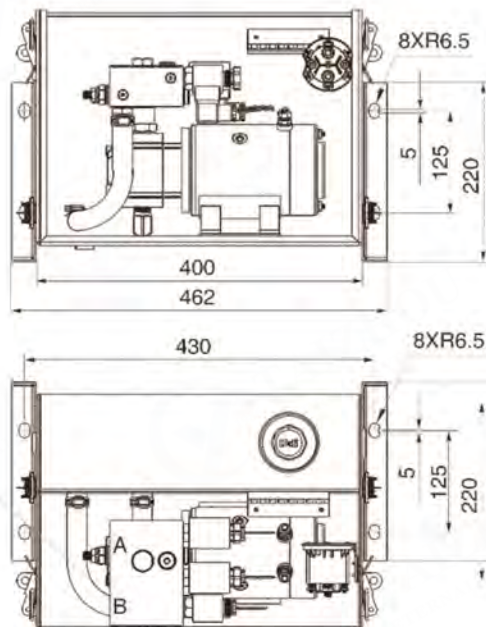
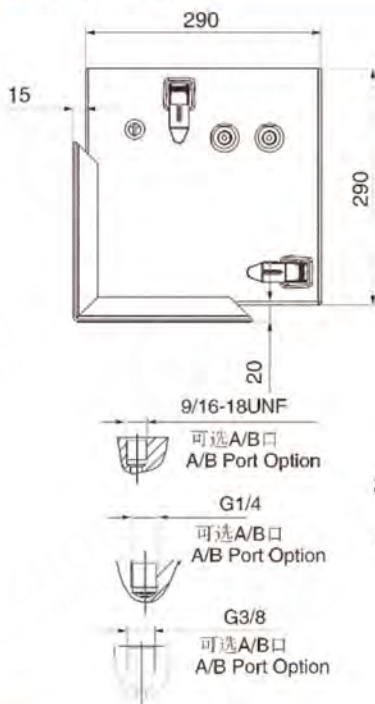
此液压动力单元采用封闭式结构，用于卡车尾板的翻转和提升控制，下降速度由压力补偿流量阀自动调节。

With a closed architecture, this power unit is used to control the opening/closing and lifting/lowering of tail-gates of trucks. The pressure compensated flow control valve is to regulate the opening and lowering speed automatically.



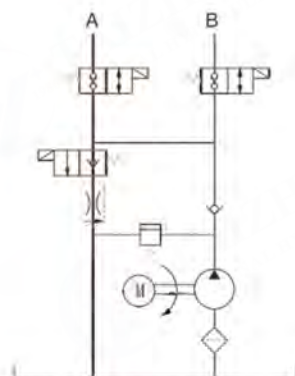
I Outline Dimension

外形尺寸图



I Hydraulic Circuit Diagram

系统工作原理



I Model Specifications

型号规格说明

Model 型号	电机电压 Motor Volt	电机功率 Motor Power	额定转速 Rated Speed	油泵排量 Displacement	溢流阀压力 System Pressure	邮箱容量 Tank Capacity
HPU5-E2.5E2M30/WUCBO1	24VDC	2.2KW	2500RPM	2.5 ml/r	16MPa	12L
HPU5-D3.2E2M30/WUCBO1	24VDC	2.2KW	2500RPM	3.2 ml/r	12MPa	12L

说明: 1.如需不同流量的泵、压力、电机功率等系统参数，请查看液压动力单元型号说明或与销售联系。

Remark: 1.Please go to page 1 or consult our sales engineer for the different pump displacement, motor power or tank capacity.

I Special Notes

注意事项

- 1.此动力单元为S3工作制，不可连续运转，30秒开，270秒停。
- 2.安装前必须保证油缸、油管、接头等液压元件清洁无任何杂质粘附。
- 3.液压油粘度应为15~68CST，应清洁无杂质，推荐使用N46号液压油。
- 4.本液压动力单元适用于卧式安装。
- 5.首次启动运行系统后，应立即检查油箱中的油量是否充足。
- 6.系统使用第一个100小时后，应更换液压油，以后每3000小时更换一次液压油。

- 1.This power unit is of S3 duty cycle,i.e.,non-continuous operation,30 seconds on and 270 seconds off.
- 2.Clean all the hydraulic parts concerned before mounting the power unit.
- 3.Viscosity of the hydraulic oil should be 15-68 cst, which should also be clean and free of impurities.N46 hydraulic oil is recommended.
- 4.This power unit should be mounted horizontally.
- 5.Check the oil level in the tank after the first start of the power unit.
- 6.Oil changing is required after the initial 100 operation hours, afterwards once every 3000 hours.

I Product Introduction

产品简介

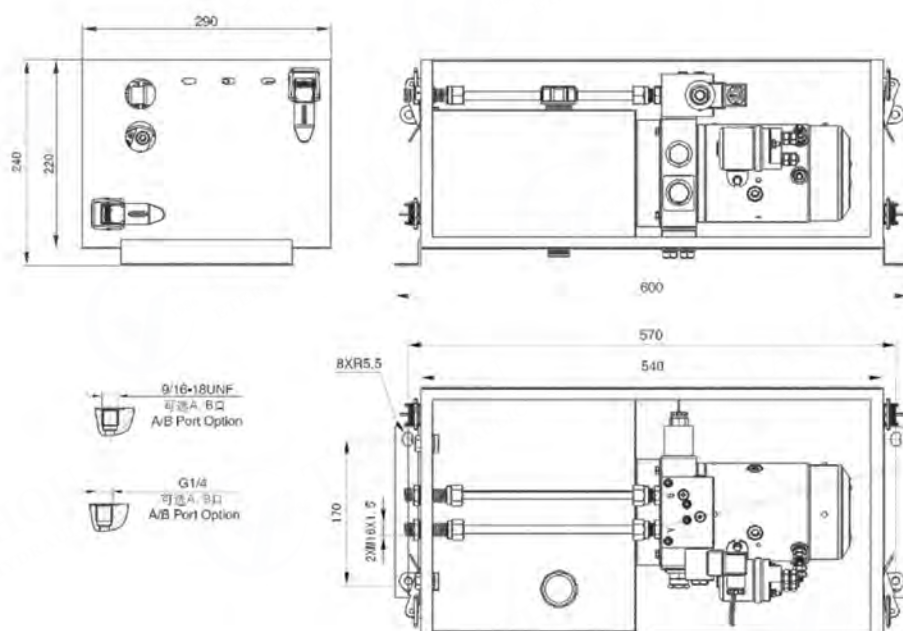
此液压动力单元采用封闭式结构,用于卡车尾板的翻转和提升控制,下降速度由压力补偿流量阀自动调节。

With a closed architecture, this power unit is used to control the opening/closing and lifting/lowering of tailgates of trucks. The pressure compensated flow control valve is to regulate the opening and lowering speed automatically.



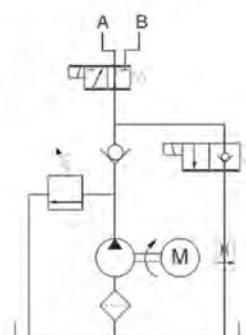
I Outline Dimension

外形尺寸图



I Hydraulic Circuit Diagram

系统工作原理



2XM14X1.5
A/B口
A/B Port

I Model Specifications

型号规格说明

Model 型号	电机电压 Motor Volt	电机功率 Motor Power	额定转速 Rated Speed	油泵排量 Displacement	溢流阀压力 System Pressure	邮箱容量 Tank Capacity
HPU5-E2.5D2A70AWUABT1	24VDC	2KW	2500RPM	2.5ml/r	16MPa	11L

说明: 1.如需不同流量的泵、压力、电机功率等系统参数,请查看液压动力单元型号说明或与销售联系。

Remark: 1. Please go to page 1 or consult our sales engineer for the different pump displacement, motor power or tank capacity.

I Special Notes

注意事项

- 1.此动力单元不可连续运转(30秒ON, 270秒OFF),可重复工作。
- 2.安装前必须保证油缸、油管、接头等液压元件清洁无任何杂质粘附。
- 3.液压油粘度应为15~68CST,应清洁无杂质,推荐使用N46号液压油。
- 4.系统使用第一个100小时后,应更换液压油,以后每3000小时更换一次液压油。
- 5.本液压动力单元适用于卧式安装。

1. The power unit is of S3 duty, which can only be worked intermittently, ie., 30 minute on and 270 seconds off.
2. Clean all the hydraulic parts concerned before mounting the power unit.
3. Viscosity of the hydraulic oil should be 15~68 cst, which should also be clean and free of impurities. N46 hydraulic oil is recommended.
4. Oil changing is required after the initial 100 operation hours, afterwards once every 3000 hours.
5. The power unit should be mounted horizontally.

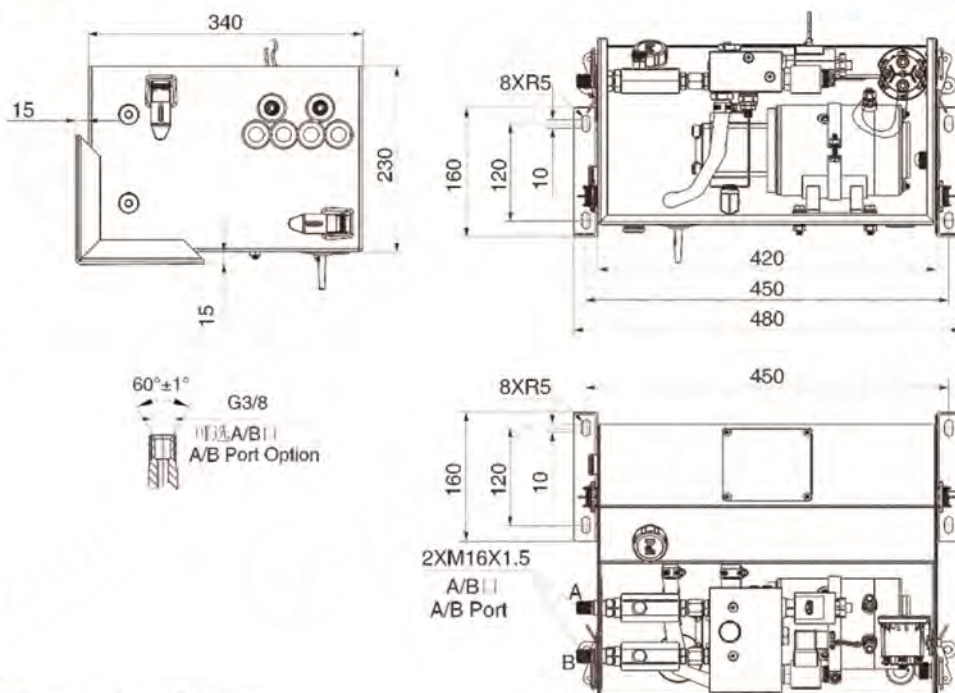
I Product Introduction 产品简介

此液压力单元采用封闭式结构，用于卡车尾板的翻转和提升控制，展开和下降速度由单向节流阀控制。

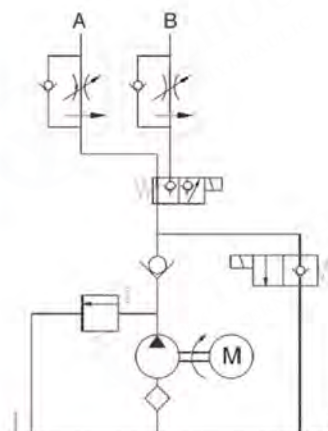
With a closed structure, this power unit is used to control the opening/closing and lifting/lowering of tailgates of trucks. The speed of the opening and lowering is regulated by the pressure compensated flow control valves.



I Outline Dimension 外形尺寸图



I Hydraulic Circuit Diagram 系统工作原理



I Model Specifications 型号规格说明

Model 型号	电机电压 Motor Volt	电机功率 Motor Power	额定转速 Rated Speed	油泵排量 Displacement	溢流阀压力 System Pressure	邮箱容量 Tank Capacity
HPU5-E2.5E2A70C/WUCBO1	24VDC	2KW	2500RPM	2.5ml/r	16MPa	12L
HPU5-D3.2E2A70C/WUCBO1	24VDC	2KW	2500RPM	3.2ml/r	12MPa	12L

说明: 1.如需不同流量的泵、压力、电机功率等系统参数, 请查看液压力单元型号说明或与销售联系。

Remark: 1.Please go to page 1 or consult our sales engineer for the different pump displacement, motor power or tank capacity.

I Special Notes 注意事项

- 1.此动力单元为S3工作制, 不可连续运转, 30秒开, 270秒停。
- 2.安装前必须保证油缸、油管、接头等液压元件清洁无任何杂质粘附。
- 3.液压油粘度应为15~68CST, 应清洁无杂质, 推荐使用N46号液压油。
- 4.本液压力单元适用于卧式安装。
- 5.首次启动运行系统后, 应立即检查油箱中的油量是否充足。
- 6.系统使用第一个100小时后, 应更换液压油, 以后每3000小时更换一次液压油。

- 1.This power unit is of S3 duty cycle,i.e.,non-continuous operation,30 seconds on and 270 seconds off.
- 2.Clean all the hydraulic parts concerned before mounting the power unit.
- 3.Viscosity of the hydraulic oil should be 15-68 cst, which should also be clean and free of impurities.N46 hydraulic oil is recommended.
- 4.This power unit should be mounted horizontally.
- 5.Check the oil level in the tank after the first star of the power unit.
- 6.Oil changing is required after the initial 100 operation hours, afterwards once every 3000 hours.

Related Products



Vane Pump



Piston Pump



Gear Pump



Hydraulic Orbit Motor



Hydraulic Cylinder



Directional Control Valve

台州永畅液压机械有限公司
Taizhou Eternal Hydraulic Machine Co., Ltd.

Add: No.11 Xiquan Road, Anzhou Street, Xianju County,
Taizhou City, Zhejiang, China
Contact person: Mr Leo Wu
Mobile: +86-13656579545 (Wechat/Whatsapp)
Skype: leowu1986

Tel: +86-576-89370768 Fax: +86-89370769
Email: leo@xjetl.com
Web: www.etlhyd.com www.xjetl.com
www.facebook.com/etlhydraulic
https://taizhouyongchang.en.alibaba.com

