



E489-XQAHX-A3XK



E489-XQAHX-A3XD



E442-XQAHX-A3XK



E442-XQAHX-A3XD

E489 X Q A H X - A 3 X K

Basic Model
E489 / E442

Mounting Option

- X = Standard Mount
- G = Standard Mount w/ Metric Stud Kit
- K = Standard Mount w/o Stud Kit
- Q = Eaton Endurant
- Z = Deep Mount

Gear Ratio

- A = 14/39 R = 22/24
- C = 17/37 S = 24/22
- F = 21/37 U = 26/20
- H = 23/35 W = 26/17
- L = 25/34 X = 38/21
- Q = 19/24

Input Option

- IT: Without Gear AH: Fuller Series
- BG: TTC Transmission DC: Mack Transmission
- DA: Eaton Transmission

Lube Option

- X = No Pressure Lube
- P = Pressure Lube

Shift Option

- ¹A = Air Shift
- V = Air Shift w/o Installation Kit
- ¹P = 12V Elec/Air Shift
- Q = 24V Elec/Air Shift
- D = Eaton Endurant™ 12V Elec/Air Shift
- ²¹S = Air Shift w/ PTO/Dump Pump Combo Valve w/ Kick Out w/ Neutral Spring Return
- ²¹T = Air Shift w/ PTO/Dump Pump Combo Valve w/o Kick Out w/ Neutral Spring Return
- ²¹U = Air Shift w/ PTO/Dump Pump Combo Valve w/ Kick Out w/o Neutral Spring Return
- ¹W = Wire Shift
- X = Wire Shift w/o Cable & Knob
- M = Constant Mesh
- H = No Shifter Assembly
- C = Special Shift Control & Bracket Kit

Output Option

Driveline Output

XD = Rd Standard Shaft (1-1/4" - 5/16" Key)

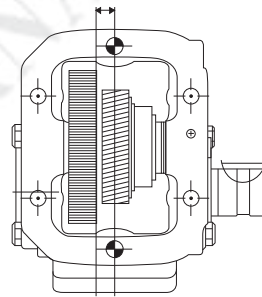
Pump Mount

XK = SAE B 2 or 4-Bolt Flange, SAE B Shaft (7/8" - 13T)

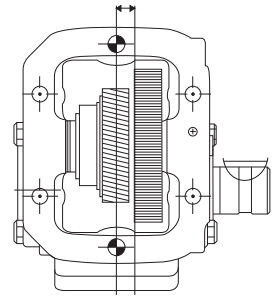
Assembly Arrangement

3, 4, 5, 6

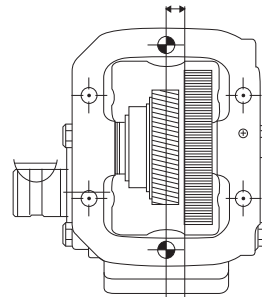
- 1 Includes mounting parts
- 21 Includes installation kit, console sold separately



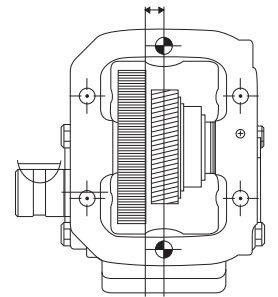
Ass'y 3



Ass'y 4



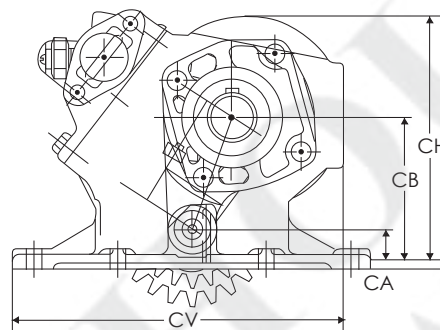
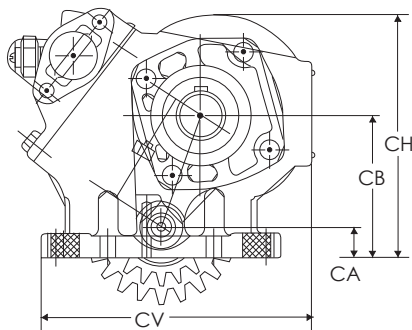
Ass'y 5



Ass'y 6

ETERNAL E442/E489 SERIES DIMENSIONS

HOUSING DIMENSIONS



ETERNAL SERIES		MOUNT	CA	CB	CD	CH	CV
E442 SERIES	1-P-557X	Standard	0.793	3.800 (F, H, L, R, S, U) 3.701 (Q, W, X)	3.317 (F, H, L, R, S, U) 3.087 (Q, W, X)	6.428	7.000
	1-P-558X	Deep	0.573	3.580 (F, H, L, R, S, U) 3.481 (Q, W, X)	3.317 (F, H, L, R, S, U) 3.087 (Q, W, X)	6.207	7.000
E489 SERIES	1-P-552X	Standard	1.072	4.079 (F, H, L, R, S, U) 3.980 (Q, W, X)	3.317 (F, H, L, R, S, U) 3.087 (Q, W, X)	6.708	8.500
	1-P-562X	Deep	0.930	3.937 (F, H, L, R, S, U) 3.838 (Q, W, X)	3.317 (F, H, L, R, S, U) 3.087 (Q, W, X)	6.566	8.500

