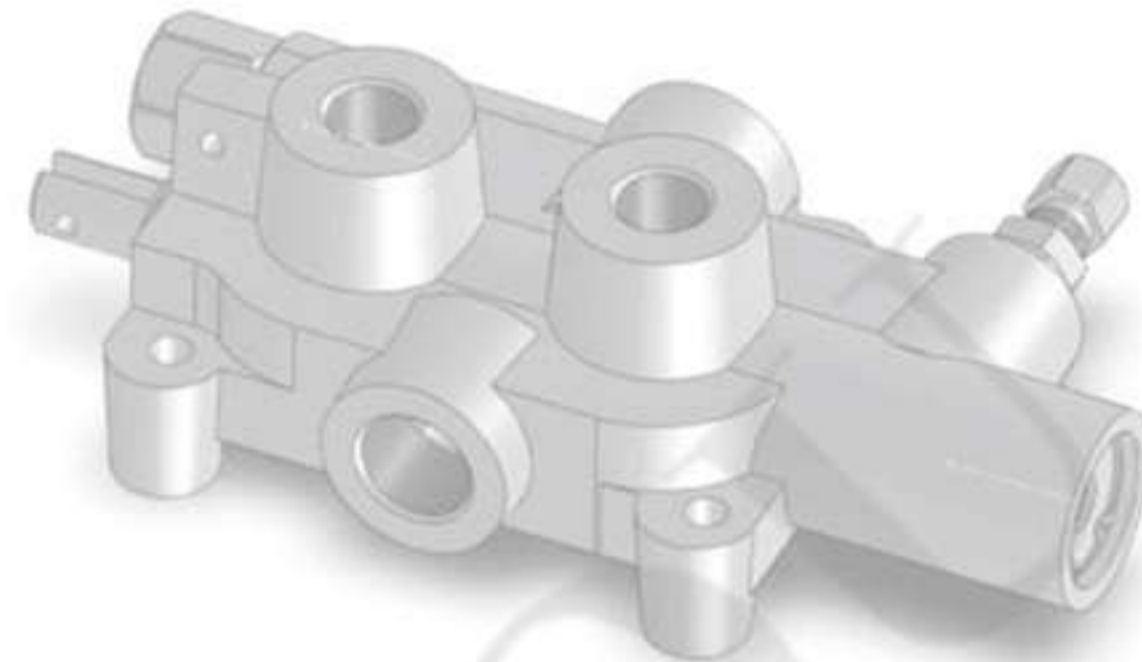


LVA系列劈木机阀

LVA Series Log Splitter Valve

用途与特征/APPLICATIONS&FEATURES

LVA型劈木机阀是通过手柄的动作使阀芯做轴向移动从而对油路进行切换的直动式换向滑阀。此劈木机阀自带过载保护，结构紧凑，控制灵活，使用方便可靠，专用于劈木机的油路控制，能使劈木机快速、平稳工作。



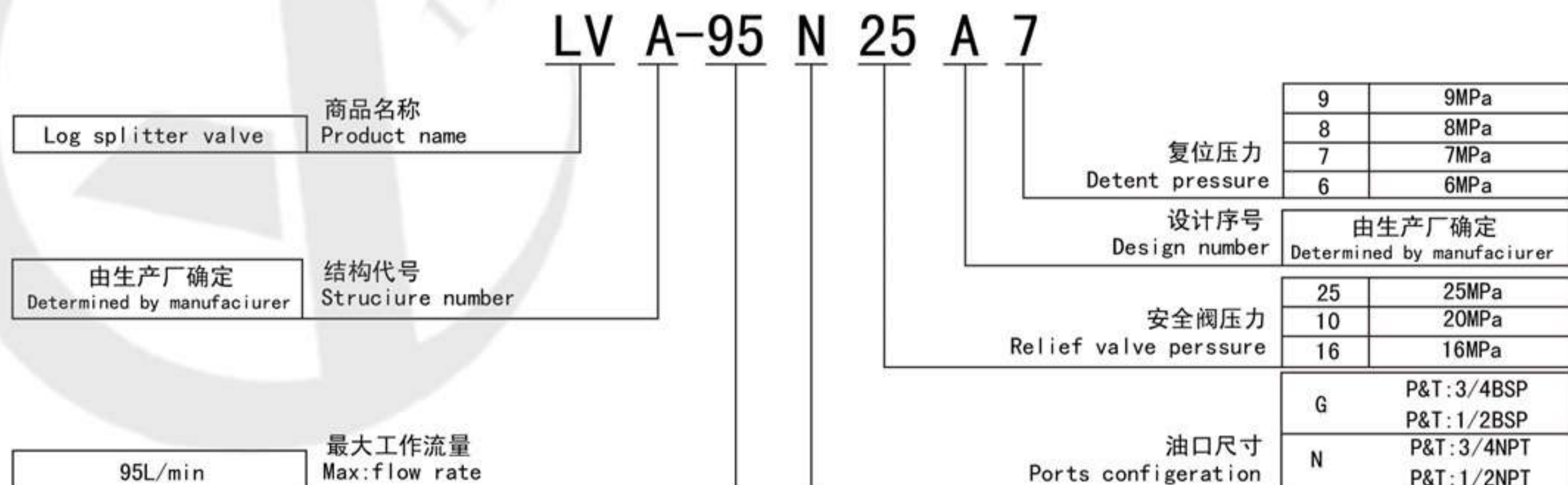
LVA type splitting machine valve is through the lever action make valve core do axial movement and the oil circuit to switch straight acting reversing valve. The splitting machine valve owns overload protection, compact structure, flexible control, easy to use and reliable, dedicated to splitting machine oil circuit control, can make the splitting machine fast and stable work.

性能参数/SPECIFICATIONS

公称压力 Nominal Pressure (Mpa)	最大压力 Max. pressure (Mpa)	公称流量 Nom. flow (L/min)	允许背压 Allowable Back. pressure (Mpa)	工作油液 Hydraulic Oil		
				温度范围 Tem.range (°C)	粘度范围 Visc.range (mm2/s)	过滤精度 Filtrating accuracy (μm)
20	25	95	≤1	-20~+80	10~400	≤10

注：油液最高污染等级:按GB/T14039之19/16
Note: maximum permissible degree of contamination of the oil is according to GB/T14039-19/16

型号说明/MODEL CODE



注：订货有特殊要求者，请与销售顾问联系。
Note: Special features not listed can often be made to your specifications. Please consult your sales representative.